

DataWindow Reference

Appeon PowerBuilder® 2019 R3

Contents

1 DataWindow Operators and Expressions	21
1.1 Where you use DataWindow expressions	21
1.2 Operators used in DataWindow expressions	23
1.2.1 Arithmetic operators in DataWindow expressions	23
1.2.2 Relational operators in DataWindow expressions	24
1.2.2.1 Comparing strings in DataWindow expressions	26
1.2.3 Logical operators in DataWindow expressions	27
1.2.4 Concatenation operator in DataWindow expressions	28
1.3 Operator precedence in DataWindow expressions	29
1.4 Evaluating DataWindow expressions in scripts	29
1.5 Evaluating DataWindow expressions in the Describe function	30
1.6 Evaluating conditional DataWindow expressions with current data	30
2 DataWindow Expression Functions	32
2.1 Using DataWindow expression functions	32
2.2 Decimal support in DataWindow expressions	33
2.3 Four examples	34
2.3.1 Example 1: counting null values in a column	34
2.3.2 Example 2: counting active and terminated employees	36
2.3.3 Example 3: creating a row indicator	39
2.3.4 Example 4: displaying all data when a column allows nulls	41
2.4 Alphabetical list of DataWindow expression functions	42
2.4.1 Abs	43
2.4.2 ACos	43
2.4.3 Asc	44
2.4.4 AscA	45
2.4.5 ASin	45
2.4.6 ATan	46
2.4.7 Avg	47
2.4.8 Bitmap	49
2.4.9 Case	50
2.4.10 Ceiling	51
2.4.11 Char	52
2.4.12 CharA	53
2.4.13 Cos	53
2.4.14 Count	54
2.4.15 CrosstabAvg	56
2.4.16 CrosstabAvgDec	60
2.4.17 CrosstabCount	60
2.4.18 CrosstabMax	62
2.4.19 CrosstabMaxDec	64
2.4.20 CrosstabMin	64
2.4.21 CrosstabMinDec	66
2.4.22 CrosstabSum	67
2.4.23 CrosstabSumDec	69
2.4.24 CumulativePercent	69
2.4.25 CumulativeSum	71

2.4.26	CurrentRow	73
2.4.27	Date	74
2.4.28	DateTime	75
2.4.29	Day	76
2.4.30	DayName	76
2.4.31	DayNumber	77
2.4.32	DaysAfter	78
2.4.33	Dec	79
2.4.34	Describe	80
2.4.35	Exp	81
2.4.36	Fact	81
2.4.37	Fill	82
2.4.38	FillA	83
2.4.39	First	83
2.4.40	FontHeight	85
2.4.41	GetPaintDC	85
2.4.42	GetPaintRectHeight	86
2.4.43	GetPaintRectWidth	87
2.4.44	GetPaintRectX	87
2.4.45	GetPaintRectY	87
2.4.46	GetRow	88
2.4.47	GetText	89
2.4.48	Hour	89
2.4.49	If	90
2.4.50	Int	91
2.4.51	Integer	91
2.4.52	IsDate	92
2.4.53	IsExpanded	93
2.4.54	IsNull	93
2.4.55	IsNumber	94
2.4.56	IsRowModified	95
2.4.57	IsRowNew	96
2.4.58	IsSelected	96
2.4.59	IsTime	97
2.4.60	Large	97
2.4.61	Last	99
2.4.62	LastPos	101
2.4.63	Left	102
2.4.64	LeftA	103
2.4.65	LeftTrim	103
2.4.66	Len	104
2.4.67	LenA	105
2.4.68	Log	105
2.4.69	LogTen	106
2.4.70	Long	107
2.4.71	LookUpDisplay	107
2.4.72	Lower	108
2.4.73	Match	108

2.4.74 Max	111
2.4.75 Median	113
2.4.76 Mid	115
2.4.77 MidA	116
2.4.78 Min	117
2.4.79 Minute	118
2.4.80 Mod	119
2.4.81 Mode	120
2.4.82 Month	122
2.4.83 Now	122
2.4.84 Number	123
2.4.85 Page	124
2.4.86 PageAbs	125
2.4.87 PageAcross	125
2.4.88 PageCount	126
2.4.89 PageCountAcross	127
2.4.90 Paint	127
2.4.91 Percent	128
2.4.92 Pi	130
2.4.93 Pos	131
2.4.94 PosA	132
2.4.95 ProfileInt	133
2.4.96 ProfileString	134
2.4.97 Rand	136
2.4.98 Real	136
2.4.99 RelativeDate	137
2.4.100 RelativeTime	137
2.4.101 Replace	138
2.4.102 ReplaceA	139
2.4.103 RGB	140
2.4.104 RichText	141
2.4.105 RichTextFile	142
2.4.106 Right	142
2.4.107 RightA	143
2.4.108 RightTrim	143
2.4.109 Round	144
2.4.110 RowCount	145
2.4.111 RowHeight	145
2.4.112 Second	146
2.4.113 SecondsAfter	147
2.4.114 Sign	147
2.4.115 Sin	148
2.4.116 Small	149
2.4.117 Space	151
2.4.118 Sqrt	151
2.4.119 StDev	152
2.4.120 StDevP	154
2.4.121 String	156

2.4.122 StripRTF	158
2.4.123 Sum	158
2.4.124 Tan	160
2.4.125 Time	161
2.4.126 Today	162
2.4.127 Trim	162
2.4.128 Truncate	163
2.4.129 Upper	164
2.4.130 Var	164
2.4.131 VarP	167
2.4.132 WordCap	169
2.4.133 Year	169
3 DataWindow Object Properties	171
3.1 Overview of DataWindow object properties	171
3.2 Controls in a DataWindow and their properties	172
3.2.1 Properties for the DataWindow object	172
3.2.2 Properties for Button controls in DataWindow objects	179
3.2.3 Properties for Column controls in DataWindow objects	180
3.2.4 Properties for Computed Field controls in DataWindow objects	182
3.2.5 Properties for Graph controls in DataWindow objects	184
3.2.6 Properties for GroupBox controls in DataWindow objects	186
3.2.7 Properties for the Group keyword	187
3.2.8 Properties for InkPicture controls in DataWindow objects	187
3.2.9 Properties for Line controls in DataWindow objects	188
3.2.10 Properties for OLE Object controls in DataWindow objects	189
3.2.11 Properties for Oval, Rectangle, and RoundedRectangle controls in DataWindow objects	190
3.2.11.1 Additional properties for RoundedRectangle controls in DataWindow objects	191
3.2.12 Properties for Picture controls in DataWindow objects	191
3.2.13 Properties for Report controls in DataWindow objects	192
3.2.14 Properties for the Style keyword	193
3.2.15 Properties for TableBlob controls in DataWindow objects	193
3.2.16 Properties for Text controls in DataWindow objects	194
3.2.17 Title keyword	196
3.3 Alphabetical list of DataWindow object properties	196
3.3.1 Accelerator	196
3.3.2 AccessibleDescription	197
3.3.3 AccessibleName	198
3.3.4 AccessibleRole	198
3.3.5 Action	199
3.3.6 Activation	202
3.3.7 Alignment	203
3.3.8 Arguments	204
3.3.9 Attributes	204
3.3.10 Axis	205
3.3.11 Axis.property	206
3.3.12 BackColor	211

3.3.13 Background.property	211
3.3.14 BackImage	214
3.3.15 Band	215
3.3.16 Bandname.property	216
3.3.17 Bandname.Text	220
3.3.18 Bands	221
3.3.19 BinaryIndex	221
3.3.20 BitmapName	222
3.3.21 Border	222
3.3.22 Brush.property	224
3.3.23 Brushmode	225
3.3.24 Category	227
3.3.25 CheckBox.property	227
3.3.26 ClientName	229
3.3.27 Color	229
3.3.28 ColType	231
3.3.29 Column.Count	232
3.3.30 ContentsAllowed	233
3.3.31 Criteria	233
3.3.32 Criteria.property	234
3.3.33 Crosstab.property	236
3.3.34 CSSGen.property (obsolete)	237
3.3.35 Data	239
3.3.36 Data.HTML (obsolete)	239
3.3.37 Data.HTMLTable (obsolete)	240
3.3.38 Data.XHTML (obsolete)	242
3.3.39 Data.XML	243
3.3.40 Data.XMLDTD	244
3.3.41 Data.XMLSchema	244
3.3.42 Data.XMLWeb (obsolete)	245
3.3.43 Data.XSLFO	246
3.3.44 DataObject	246
3.3.45 dbAlias	247
3.3.46 dbName	248
3.3.47 dddw.property	249
3.3.48 ddlb.property	253
3.3.49 DefaultPicture	256
3.3.50 Depth	257
3.3.51 Detail_Bottom_Margin	258
3.3.52 Detail_Top_Margin	258
3.3.53 Detail.property	258
3.3.54 DispAttr.fontproperty	258
3.3.55 DisplayType	262
3.3.56 Edit.property	263
3.3.57 EditMask.property	267
3.3.58 Elevation	270
3.3.59 EllipseHeight	271
3.3.60 EllipseWidth	272

3.3.61 Enabled	273
3.3.62 Export.PDF.Distill.CustomPostScript	273
3.3.63 Export.PDF.Method	275
3.3.64 Export.PDF.NativePDF.Author	277
3.3.65 Export.PDF.NativePDF.CustomOrientation	278
3.3.66 Export.PDF.NativePDF.CustomSize	279
3.3.67 Export.PDF.NativePDF.ImageFormat	280
3.3.68 Export.PDF.NativePDF.Keywords	282
3.3.69 Export.PDF.NativePDF.MasterPassword	283
3.3.70 Export.PDF.NativePDF.PDFStandard	284
3.3.71 Export.PDF.NativePDF.Restrictions	286
3.3.72 Export.PDF.NativePDF.Subject	288
3.3.73 Export.PDF.NativePDF.UserPassword	289
3.3.74 Export.PDF.NativePDF.UsePrintSpec	291
3.3.75 Export.PDF.XSLFOP.Print	292
3.3.76 Export.XHTML.TemplateCount	293
3.3.77 Export.XHTML.Template[].Name	294
3.3.78 Export.XHTML.UseTemplate	295
3.3.79 Export.XML.HeadGroups	296
3.3.80 Export.XML.IncludeWhitespace	296
3.3.81 Export.XML.MetaDataType	297
3.3.82 Export.XML.SaveMetaData	299
3.3.83 Export.XML.TemplateCount	300
3.3.84 Export.XML.Template[].Name	301
3.3.85 Export.XML.UseTemplate	301
3.3.86 Expression	302
3.3.87 Filename	303
3.3.88 FirstRowOnPage	304
3.3.89 FocusRectangle	304
3.3.90 Font.Bias	305
3.3.91 Font.property	306
3.3.92 Footer.property	308
3.3.93 Format	309
3.3.94 Gradient.property	309
3.3.95 GraphType	312
3.3.96 Grid.ColumnMove	313
3.3.97 Grid.Lines	313
3.3.98 GroupBy	314
3.3.99 Header_Bottom_Margin	315
3.3.100 Header_Top_Margin	315
3.3.101 Header.property	316
3.3.102 Header.#.property	316
3.3.103 Height	316
3.3.104 Height.AutoSize	317
3.3.105 Height.HasMinHeight	318
3.3.106 Help.property	319
3.3.107 HideGrayLine	321
3.3.108 HideSnaked	321

3.3.109	Horizontal_Spread	322
3.3.110	HorizontalScrollMaximum	323
3.3.111	HorizontalScrollMaximum2	323
3.3.112	HorizontalScrollPosition	324
3.3.113	HorizontalScrollPosition2	324
3.3.114	HorizontalScrollSplit	325
3.3.115	HTextAlign	325
3.3.116	HTML.property (obsolete)	326
3.3.117	HTMLDW (obsolete)	328
3.3.118	HTMLGen.property (obsolete)	330
3.3.119	HTMLTable.property (obsolete)	337
3.3.120	ID	339
3.3.121	Identity	339
3.3.122	Import.XML.Trace	340
3.3.123	Import.XML.TraceFile	341
3.3.124	Import.XML.UseTemplate	342
3.3.125	Initial	343
3.3.126	Ink.property	343
3.3.127	InkEdit.property	345
3.3.128	InkPic.property	349
3.3.129	Invert	351
3.3.130	JSGen.property (obsolete)	352
3.3.131	Key	353
3.3.132	KeyClause	354
3.3.133	Label.property	355
3.3.134	LabelDispAttr.fontproperty	357
3.3.135	LastRowOnPage	357
3.3.136	Left_Margin	357
3.3.137	Legend	358
3.3.138	Legend.DispAttr.fontproperty	359
3.3.139	Level	359
3.3.140	LineRemove	359
3.3.141	LinkUpdateOptions	360
3.3.142	Message.Title	361
3.3.143	Moveable	361
3.3.144	Multiline	362
3.3.145	Name	363
3.3.146	Nest_Arguments	364
3.3.147	Nested	364
3.3.148	NewPage (Group keywords)	365
3.3.149	NewPage (Report controls)	365
3.3.150	NoUserPrompt	366
3.3.151	Objects	367
3.3.152	OLE.Client.property	367
3.3.153	OLEClass	368
3.3.154	OriginalSize	369
3.3.155	OverlapPercent	370
3.3.156	Pen.property	371

3.3.157 Perspective	372
3.3.158 Picture.property	373
3.3.159 Pie.DispAttr.fontproperty	375
3.3.160 PlotNullData	376
3.3.161 Pointer	376
3.3.162 Print.Preview.property	377
3.3.163 Print.property	379
3.3.164 Printer	387
3.3.165 Processing	387
3.3.166 Protect	388
3.3.167 QueryClear	389
3.3.168 QueryMode	390
3.3.169 QuerySort	391
3.3.170 RadioButtons.property	392
3.3.171 Range	393
3.3.172 ReadOnly	394
3.3.173 Render3D	395
3.3.174 ReplaceTabWithSpace	396
3.3.175 Report	396
3.3.176 ResetPageCount	397
3.3.177 Resizable	397
3.3.178 Retrieve	398
3.3.179 Retrieve.AsNeeded	398
3.3.180 RichEdit.property	399
3.3.181 RichText.property	401
3.3.182 RightToLeft	405
3.3.183 Rotation	406
3.3.184 Row.Resize	406
3.3.185 Rows_Per_Detail	407
3.3.186 Selected	408
3.3.187 Selected.Data	409
3.3.188 Selected.Mouse	409
3.3.189 Series	410
3.3.190 ShadeColor	410
3.3.191 ShowBackColorOnXP	411
3.3.192 ShowBackground	412
3.3.193 ShowDefinition	412
3.3.194 SizeToDisplay	413
3.3.195 SlideLeft	414
3.3.196 SlideUp	415
3.3.197 Sort	416
3.3.198 Spacing	416
3.3.199 Sparse	417
3.3.200 Storage	418
3.3.201 StoragePageSize	418
3.3.202 Summary.property	419
3.3.203 SuppressEventProcessing	419
3.3.204 Syntax	420

3.3.205 Syntax.Data	420
3.3.206 Syntax.Modified	421
3.3.207 Table (for Create)	421
3.3.208 Table (for InkPicture and TableBlobs)	422
3.3.209 Table.property	423
3.3.210 Table.sqlaction.property	426
3.3.211 TabSequence	429
3.3.212 Tag	430
3.3.213 Target	430
3.3.214 Template	431
3.3.215 Text	432
3.3.216 Timer_Interval	432
3.3.217 Title	433
3.3.218 Title.DispAttr.fontproperty	434
3.3.219 Tooltip.property	434
3.3.220 Trail_Footer	436
3.3.221 Trailer.#.property	437
3.3.222 Transparency (columns and controls)	437
3.3.223 Transparency (picture controls in DataWindows)	438
3.3.224 Transparency (DataWindow objects)	438
3.3.225 Tree.property	439
3.3.226 Tree.Leaf.TreeNodeIconName	442
3.3.227 Tree.Level.#.property	443
3.3.228 Type	444
3.3.229 Units	445
3.3.230 Update	446
3.3.231 Validation	446
3.3.232 ValidationMsg	447
3.3.233 Values (for columns)	448
3.3.234 Values (for graphs)	449
3.3.235 Vertical_Size	449
3.3.236 Vertical_Spread	449
3.3.237 VerticalScrollMaximum	450
3.3.238 VerticalScrollPosition	450
3.3.239 Visible	451
3.3.240 VTextAlign	452
3.3.241 Width	453
3.3.242 Width.Autosize	453
3.3.243 Width.Autosize	454
3.3.244 X	455
3.3.245 X1, X2	456
3.3.246 XHTMLGen.Browser (obsolete)	456
3.3.247 XMLGen.property (obsolete)	458
3.3.248 XSLTGen.property (obsolete)	459
3.3.249 Y	460
3.3.250 Y1, Y2	461
3.3.251 Zoom	462
4 Accessing Data in Code	463

4.1 Accessing data and properties in DataWindow programming environments	463
4.2 Techniques for accessing data	463
4.2.1 About DataWindow data expressions	465
4.2.1.1 When a DataWindow data expression is evaluated	466
4.2.1.2 Getting and storing the data from a DataWindow data expression	467
4.2.1.3 Setting DataWindow data with a DataWindow data expression	469
4.3 Syntaxes for DataWindow data expressions	471
4.3.1 Syntax for one or all data items in a named column	471
4.3.2 Syntax for selected data in a named column	473
4.3.3 Syntax for a range of data in a named column	475
4.3.4 Syntax for a single data item in a DataWindow	476
4.3.5 Syntax for data in a block of rows and columns	477
4.3.6 Syntax for data in a single row or all rows	479
4.3.7 Syntax for all data from selected rows	480
5 Accessing DataWindow Object Properties in Code	482
5.1 About properties of the DataWindow object and its controls	482
5.1.1 What you can do with DataWindow object properties	482
5.1.2 Specifying property values in the DataWindow painter	484
5.1.3 Accessing DataWindow object property values in code	484
5.1.4 Using DataWindow expressions as property values	485
5.1.4.1 More examples in the DataWindow painter and in code	486
5.1.5 Nested strings and special characters for DataWindow object properties	488
5.1.5.1 Nested strings and special characters for DataWindow object properties	488
5.1.5.2 Nested strings and special characters in JavaScript for DataWindow object properties	489
5.2 PowerBuilder: Modify and Describe methods for properties	490
5.2.1 Advantage and drawbacks of Modify and Describe methods in PowerBuilder	490
5.2.2 Handling errors from Modify and Describe methods in PowerBuilder	492
5.3 PowerBuilder: DataWindow property expressions	492
5.3.1 Basic structure of DataWindows and property expressions in PowerBuilder	493
5.3.2 Datatypes of DataWindow property expressions in PowerBuilder	493
5.3.3 Using the DWObject variable in PowerBuilder	494
5.3.3.1 DWObject variables in PowerBuilder	495
5.3.3.2 DWObject arguments for DataWindow events in PowerBuilder	495
5.3.4 When a DataWindow property expression is evaluated in PowerBuilder	497
5.3.5 Handling errors from DataWindow property expressions in PowerBuilder	497

5.3.6	PowerBuilder syntax for DataWindow property expressions	499
5.3.6.1	Basic syntax for DataWindow property expressions in PowerBuilder	499
5.3.6.2	Syntax for nested objects in DataWindow property expressions in PowerBuilder	502
5.4	JavaScript: Modify and Describe methods for properties	505
5.4.1	Advantage and drawbacks of the Modify and Describe methods in JavaScript	505
5.4.2	Handling errors for Modify and Describe methods in JavaScript ...	506
6	DataWindow Constants	508
6.1	About DataWindow constants	508
6.2	Alphabetical list of DataWindow constants	508
6.3	AccessibleRole	509
6.4	Alignment	511
6.5	Band	512
6.6	Border	512
6.7	BorderStyle	513
6.8	CharSet	513
6.9	DWBuffer	514
6.10	DWConflictResolution	514
6.11	DWItemStatus	515
6.12	FillPattern	515
6.13	grColorType	516
6.14	grDataType	516
6.15	grObjectType	517
6.16	grSymbolType	518
6.17	LineStyle	518
6.18	MetaDataType	519
6.19	RichTextToolbarActivation	519
6.20	RowFocusInd	520
6.21	SaveAsType	520
6.22	SQLPreviewFunction	522
6.23	SaveMetaData	522
6.24	SQLPreviewType	522
6.25	WebPagingMethod	523
7	Properties of the DataWindow Control and DataStore	524
7.1	Properties for PowerBuilder DataWindow	524
7.1.1	Properties for DataStore objects	524
7.1.2	Properties for DataWindow controls	524
8	DataWindow Events	528
8.1	About return values for DataWindow events	528
8.2	Categories of DataWindow events	528
8.3	DataWindow event cross-reference	530
8.4	Alphabetical list of DataWindow events	530
8.5	BackTabOut	530
8.6	ButtonClicked	531
8.7	ButtonClicking	532
8.8	Clicked	533

8.9 Collapsed	535
8.10 Collapsing	536
8.11 Constructor	536
8.12 DBError	537
8.13 Destructor	539
8.14 DoubleClicked	539
8.15 DragDrop	541
8.16 DragEnter	542
8.17 DragLeave	542
8.18 DragWithin	543
8.19 DropDown	544
8.20 EditChanged	544
8.21 Error	545
8.22 Expanded	547
8.23 Expanding	548
8.24 GetFocus	549
8.25 GraphCreate	549
8.26 HTMLContextApplied	550
8.27 ItemChanged	551
8.28 ItemError	552
8.29 ItemFocusChanged	554
8.30 KeyDown	555
8.31 LoseFocus	555
8.32 MessageText	556
8.33 MouseMove	557
8.34 MouseUp	558
8.35 OnSubmit	559
8.36 Printend	559
8.37 PrintMarginChange	560
8.38 PrintPage	560
8.39 PrintStart	562
8.40 ProcessEnter	562
8.41 RButtonDown	562
8.42 Resize	563
8.43 RetrieveEnd	564
8.44 RetrieveRow	565
8.45 RetrieveStart	566
8.46 RichTextCurrentStyleChanged	567
8.47 RichTextLoseFocus	567
8.48 RichTextLimitError	567
8.49 RowFocusChanged	568
8.50 RowFocusChanging	569
8.51 ScrollHorizontal	571
8.52 ScrollVertical	571
8.53 SQLPreview	572
8.54 TabDownOut	574
8.55 TabOut	574
8.56 TabUpOut	575

8.57	TreeNodeSelected	575
8.58	TreeNodeSelecting	576
8.59	UpdateEnd	576
8.60	UpdateStart	577
8.61	WSError (Obsolete)	577
9	Methods for the DataWindow Control	579
9.1	AboutBox (obsolete)	579
9.2	AcceptText	579
9.3	CanUndo	582
9.4	ClassName	583
9.5	Clear	583
9.6	ClearValues	584
9.7	Collapse	585
9.8	CollapseAll	586
9.9	CollapseAllChildren	587
9.10	CollapseLevel	588
9.11	Copy	590
9.12	CopyRTF	591
9.13	Create	593
9.14	CreateError (obsolete)	595
9.15	CreateFrom	596
9.16	CrosstabDialog	598
9.17	Cut	599
9.18	DBCcancel	600
9.19	DBErrorCode (obsolete)	602
9.20	DBErrorMessage (obsolete)	603
9.21	DeletedCount	605
9.22	DeleteRow	606
9.23	Describe	607
9.24	Drag	612
9.25	Expand	613
9.26	ExpandAll	614
9.27	ExpandAllChildren	615
9.28	ExpandLevel	616
9.29	ExportJson	617
	9.29.1 Syntax 1	617
	9.29.2 Syntax 2	619
	9.29.3 Syntax 3	620
	9.29.4 Syntax 4	622
9.30	ExportRowAsJson	625
9.31	Filter	627
9.32	FilteredCount	628
9.33	Find	629
9.34	FindGroupChange	633
9.35	FindNext	635
9.36	FindRequired	635
9.37	FindRequiredColumn (obsolete)	639
9.38	FindRequiredColumnName (obsolete)	639

9.39 FindRequiredRow (obsolete)	640
9.40 Generate (obsolete)	641
9.41 GenerateHTMLForm (obsolete)	643
9.42 GenerateResultSet	644
9.43 GenerateXHTML (obsolete)	646
9.44 GenerateXMLWeb (obsolete)	647
9.45 GetBandAtPointer	648
9.46 GetBorderStyle	650
9.47 GetChanges	651
9.48 GetChangesBlob (obsolete)	653
9.49 GetChild	654
9.50 GetChildObject (obsolete)	656
9.51 GetClickedColumn	657
9.52 GetClickedRow	658
9.53 GetColumn	659
9.54 GetColumnName	660
9.55 GetContextService	661
9.56 GetFormat	662
9.57 GetFullContext (obsolete)	663
9.58 GetFullState	664
9.59 GetFullStateBlob (obsolete)	665
9.60 GetItem (obsolete)	666
9.61 GetItemDate	667
9.62 GetItemDateTime	670
9.63 GetItemDecimal	672
9.64 GetItemFormattedString	674
9.65 GetItemNumber	675
9.66 GetItemStatus	677
9.67 GetItemString	679
9.68 GetItemTime	681
9.69 GetItemUnformattedString	683
9.70 GetLastError (obsolete)	684
9.71 GetLastErrorMessage (obsolete)	685
9.72 GetMessageText (obsolete)	687
9.73 GetNextModified	687
9.74 GetObjectAtPointer	689
9.75 GetParent	690
9.76 GetRichTextAlign	691
9.77 GetRichTextColor	692
9.78 GetRichTextFaceName	693
9.79 GetRichTextSize	694
9.80 GetRichTextStyle	695
9.81 GetRow	696
9.82 GetRowFromRowId	697
9.83 GetRowIdFromRow	698
9.84 GetSelectedRow	699
9.85 GetSQLPreview (obsolete)	700
9.86 GetSQLSelect	701

9.87 GetStateStatus (obsolete)	702
9.88 GetText	704
9.89 GetTrans	705
9.90 GetUpdateStatus (obsolete)	707
9.91 GetValidate	708
9.92 GetValue	709
9.93 GroupCalc	711
9.94 Hide	712
9.95 ImportClipboard	712
9.96 ImportFile	715
9.97 ImportJson	719
9.98 ImportJsonByKey	726
9.99 ImportRowFromJson	731
9.100 ImportString	734
9.101 InsertDocument	737
9.102 InsertRow	739
9.103 IsExpanded	740
9.104 IsRowSelected (obsolete)	741
9.105 IsSelected	742
9.106 LineCount	743
9.107 ModifiedCount	744
9.108 Modify	746
9.109 Move	757
9.110 OLEActivate	758
9.111 OneTrip (obsolete)	759
9.112 Paste	762
9.113 PasteRTF	763
9.114 PointerX	764
9.115 PointerY	765
9.116 Position	766
9.116.1 Syntax 1 For DataWindows with standard presentation styles	766
9.116.2 Syntax 2 For DataWindows with RichTextEdit presentation styles	767
9.117 PostEvent	770
9.118 Print	771
9.118.1 Syntax 1 For printing a single DataWindow or DataStore	772
9.118.2 Syntax 2 For printing a visual object in a print job	773
9.119 PrintCancel	775
9.119.1 Syntax 1 For DataWindows and DataStores	775
9.119.2 Syntax 2 For canceling a print job	776
9.120 ReplaceText	778
9.121 ReselectRow	779
9.122 Reset	780
9.123 ResetInk	781
9.124 ResetTransObject	782
9.125 ResetUpdate	783
9.126 Resize	784

9.127 Retrieve	785
9.128 RowCount	789
9.129 RowsCopy	790
9.130 RowsDiscard	792
9.131 RowsMove	793
9.132 SaveAs	795
9.133 SaveAsAscii	798
9.134 SaveAsFormattedText	799
9.135 SaveInk	801
9.136 SaveInkPic	803
9.137 SaveNativePDFToBlob	804
9.138 Scroll	805
9.139 ScrollFirstPage (obsolete)	806
9.140 ScrollLastPage (obsolete)	807
9.141 ScrollNextPage	808
9.141.1 Syntax 1 For DataWindow controls and child DataWindows	808
9.141.2 Syntax 2 For RichTextEdit DataWindows	810
9.142 ScrollNextRow	811
9.142.1 Syntax 1 For DataWindow controls and child DataWindows	811
9.142.2 Syntax 2 For RichTextEdit DataWindows	812
9.143 ScrollPriorPage	813
9.143.1 Syntax 1 For DataWindow controls and child DataWindows	814
9.143.2 Syntax 2 For RichTextEdit DataWindows	815
9.144 ScrollPriorRow	816
9.144.1 Syntax 1 For DataWindow controls and child DataWindows	816
9.144.2 Syntax 2 For RichTextEdit DataWindows	817
9.145 ScrollToRow	818
9.146 SelectedLength	820
9.147 SelectedLine	821
9.148 SelectedStart	822
9.149 SelectedText	823
9.150 SelectRow	824
9.151 SelectText	825
9.151.1 Syntax 1 For DataWindows with standard edit styles	825
9.151.2 Syntax 2 For RichTextEdit DataWindows	827
9.152 SelectTextAll	828
9.153 SelectTextLine	830
9.154 SelectTextWord	831
9.155 SelectTreeNode	832
9.156 SetAction (obsolete)	833
9.157 SetActionCode (obsolete)	834
9.158 SetBorderStyle	836
9.159 SetBrowser (obsolete)	836
9.160 SetChanges	838
9.161 SetColumn	839
9.162 SetColumnLink (obsolete)	841
9.163 SetCultureFormat	843
9.164 SetDetailHeight	843

9.165 SetDWObject (obsolete)	844
9.166 SetFilter	846
9.167 SetFormat	848
9.168 SetFullState	849
9.169 SetHTMLAction (obsolete)	851
9.170 SetHTMLObjectName (obsolete)	852
9.171 SetItem	853
9.172 SetItemDate (obsolete)	856
9.173 SetItemDateTime (obsolete)	857
9.174 SetItemNumber (obsolete)	858
9.175 SetItemStatus	859
9.176 SetItemString (obsolete)	862
9.177 SetItemTime (obsolete)	863
9.178 SetPageSize (obsolete)	864
9.179 SetPosition	865
9.180 SetRedraw	866
9.181 SetRichTextAlign	867
9.182 SetRichTextColor	868
9.183 SetRichTextFaceName	869
9.184 SetRichTextSize	870
9.185 SetRichTextStyle	871
9.186 SetRow	872
9.187 SetRowFocusIndicator	873
9.188 SetSelfLink (obsolete)	875
9.189 SetServerServiceClasses (obsolete)	877
9.190 SetServerSideState (obsolete)	879
9.191 SetSort	880
9.192 SetSQLPreview	882
9.193 SetSQLSelect	883
9.194 SetTabOrder	885
9.195 SetText	886
9.196 SetTrans	888
9.197 SetTransObject	889
9.198 SetValidate	892
9.199 SetValue	894
9.200 SetWeight (obsolete)	896
9.201 SetWSObject (Obsolete)	898
9.202 ShareData	899
9.203 ShareDataOff	902
9.204 Show	903
9.205 ShowHeadFoot	904
9.206 Sort	905
9.207 TextLine	907
9.208 TriggerEvent	908
9.209 TypeOf	909
9.210 Undo	909
9.211 Update	910
10 Methods for Graphs in the DataWindow Control	914

10.1	CategoryCount	914
10.2	CategoryName	915
10.3	Clipboard	915
10.4	DataCount	916
10.5	FindCategory	917
10.6	FindSeries	918
10.7	GetData	919
10.8	GetDataDateVariable	920
10.9	GetDataLabelling	921
10.10	GetDataNumberVariable	922
10.11	GetDataPieExplode	923
10.12	GetDataPieExplodePercentage	924
10.13	GetDataStringVariable	925
10.14	GetDataStyle	926
10.14.1	Syntax 1 For the colors of a data point	927
10.14.2	Syntax 2 For the line style and width used by a data point	928
10.14.3	Syntax 3 For the fill pattern of a data point	929
10.14.4	Syntax 4 For the symbol of a data point	930
10.15	GetDataStyleColorValue	931
10.16	GetDataStyleFillPattern	932
10.17	GetDataStyleLineStyle	933
10.18	GetDataStyleLineWidth	934
10.19	GetDataStyleSymbolValue	934
10.20	GetDataTransparency	935
10.21	GetDataValue	936
10.22	GetSeriesLabelling	938
10.23	GetSeriesStyle	939
10.23.1	Syntax 1 For the colors of a series	939
10.23.2	Syntax 2 For the line style and width used by a series	940
10.23.3	Syntax 3 For the fill pattern of a series	942
10.23.4	Syntax 4 For the symbol of a series	943
10.23.5	Syntax 5 For determining whether a series is an overlay	944
10.24	GetSeriesStyleColorValue	945
10.25	GetSeriesStyleFillPattern	945
10.26	GetSeriesStyleLineStyle	946
10.27	GetSeriesStyleLineWidth	947
10.28	GetSeriesStyleOverlayValue	948
10.29	GetSeriesStyleSymbolValue	949
10.30	GetSeriesTransparency	950
10.31	ObjectAtPointer	951
10.32	ObjectAtPointerDataPoint	952
10.33	ObjectAtPointerSeries	952
10.34	Reset	953
10.35	ResetDataColors	954
10.36	SaveAs	955
10.37	SeriesCount	957
10.38	SeriesName	957
10.39	SetDataLabelling	958

10.40	SetDataPieExplode	959
10.41	SetDataStyle	961
10.41.1	Syntax 1 For setting a data point's colors	961
10.41.2	Syntax 2 For the line associated with a data point	962
10.41.3	Syntax 3 For the fill pattern of a data point	964
10.41.4	Syntax 4 For the symbol of a data point	965
10.42	SetDataTransparency	966
10.43	SetSeriesLabelling	967
10.44	SetSeriesStyle	968
10.44.1	Syntax 1 For setting a series' colors	968
10.44.2	Syntax 2 For lines in a graph	970
10.44.3	Syntax 3 For the fill pattern in a graph	971
10.44.4	Syntax 4 For the symbols in a graph	972
10.44.5	Syntax 5 For creating an overlay in a graph	974
10.45	SetSeriesTransparency	975
Index	977

1 DataWindow Operators and Expressions

About this chapter

You use an expression to request that a DataWindow object perform a computational operation. This chapter explains how expressions work and how to write them.

1.1 Where you use DataWindow expressions

A DataWindow expression is a combination of data, operators, and functions that, when evaluated, results in a value. An expression can include column names, operators, DataWindow expression functions, and constants such as numbers and text strings.

In painters

DataWindow expressions are associated with DataWindow objects and reports. You specify them in the DataWindow painter. You can also specify expressions in the Database painter, although these expressions have a slightly different format and are used only in validation rules.

For information about DataWindow expression functions that you can use in expressions, see [Using DataWindow expression functions](#), or look up the function you want in online help.

In painters, you use expressions in these ways:

Table 1.1: Using DataWindow expressions in painters

In this painter	Expressions are used in
DataWindow painter	Computed fields Conditional expressions for property values Validation rules Filters Sorting Series and values in graphs Columns, rows, and values in crosstabs
Database painter	Validation rules

Other types of expressions you use

You also use expressions in Quick Select, SQL Select, and the Query painter to specify selection criteria, and in SQL Select and the Query painter to create computed columns. In these painters you are using SQL operators and DBMS-specific functions, not DataWindow expression operators and functions, to create expressions.

You can access and change the value of DataWindow data and properties in code. The format for expressions you specify in code is different from the same expression specified in the painter. These differences are described in [Accessing Data in Code](#) and [Accessing DataWindow Object Properties in Code](#)

Some of the specific places where you use expressions are described here.

In computed fields

Expressions for computed fields can evaluate to any value. The datatype of the expression becomes the datatype of the computed field:

Table 1.2: Using expressions in computed fields

Expression	Description
Today ()	Displays the date using the Today function
Salary/12	Computes the monthly salary
Sum (Salary for group 1)	Computes the salary for the first group using the Sum aggregate function
Price*Quantity	Computes the total cost

Expressions for graphs and crosstabs

You can use similar expressions for series and values in graphs and for columns, rows, and values in crosstabs.

In filters

Filter expressions are boolean expressions that must evaluate to true or false:

Table 1.3: Using expressions with filters

Expression	Description
Academics = "*****" AND Cost = "\$\$\$"	Displays data only for colleges with both a 5-star academic rating and a \$\$\$ cost rating
Emp_sal < 50000	Displays data for employees with salaries less than \$50,000
Salary > 50000 AND Dept_id BETWEEN 400 AND 700	Displays data for employees in departments 400, 500, 600, and 700 with salaries greater than \$50,000
Month(Bdate) = 9 OR Month(Bdate) = 2	Displays data for people with birth dates in September or February
Match (Lname, "[^ABC]")	Displays data for people whose last name begins with A, B, or C

In validation rules for table columns

Validation rules are boolean expressions that compare column data with values and that use relational and logical operators. When the validation rule evaluates to false, the data in the column is rejected.

In the DataWindow painter

When you specify a validation rule in the DataWindow painter, you should validate the newly entered value. To refer to the newly entered value, use the GetText function. Because GetText returns a string, you also need a data conversion function (such as Integer or Real) if you compare the value to other types of data.

If you include the column name in the expression, you get the value that already exists for the column instead of the newly entered value that needs validating.

In the Database painter

When you specify the validation rule in the Database painter, you are defining a general rule that can be applied to any column. Use @placeholder to stand for the newly entered value. The name you use for @placeholder is irrelevant. You can assign the rule to any column that has a datatype appropriate for the comparison.

When you define a DataWindow object, a validation rule assigned to a column is brought into the DataWindow object and converted to DataWindow object syntax. @placeholder is converted to GetText and the appropriate datatype conversion function.

Other columns in the rule

You can refer to values in other columns for the current row by specifying their names in the validation rule:

Table 1.4: Using expressions with values from other columns

Expression in Database painter	Expression in DataWindow painter	Description
@column >= 10000	Integer(GetText())>= 10000	If a user enters a salary below \$10,000, an error message displays.
@column IN (100, 200, 300)	Integer(GetText()) IN (100, 200, 300)	If a user does not enter a department ID of 100, 200, or 300, an error message displays.
@salary > 0	Long(GetText()) > 0	If a user does not enter a positive number, an error message displays.
Match(@disc_price, "[0-9]+\$") and @disc_price < Full_Price	Match(GetText(), "[0-9]+\$") and Real(GetText()) < Full_Price	If a user enters any characters other than digits, or the resulting number is greater than or equal to the value in the Full_Price column, an error message displays.

1.2 Operators used in DataWindow expressions

An operator is a symbol or word in an expression that performs an arithmetic calculation or logical operation; compares numbers, text, or values; or manipulates text strings.

Four types of operators are available:

- Arithmetic for numeric datatypes. See [Arithmetic operators in DataWindow expressions](#).
- Relational for all datatypes. See [Relational operators in DataWindow expressions](#).
- Logical for all datatypes. See [Logical operators in DataWindow expressions](#).
- Concatenation for string datatypes. See [Concatenation operator in DataWindow expressions](#).

1.2.1 Arithmetic operators in DataWindow expressions

When you write an expression, you can use the following arithmetic operators:

Table 1.5: Using expressions with arithmetic operators

Operator	Meaning	Example
+	Addition	SubTotal + Tax
-	Subtraction	Price - Discount
*	Multiplication	Quantity * Price
/	Division	Discount / Price
^	Exponentiation	Rating ^ 2.5

Multiplication and division

Multiplication and division are carried out to full precision (16-18 digits). Values are rounded:

Table 1.6: Value rounding in DataWindow expressions

Expression	Value
20.0/3	6.666666666666667
3*(20.0/3)	20
Truncate(20.0/3,4)	6.6666

Calculations with null

When you form an arithmetic expression that contains a null value, the expression becomes null. Thinking of null as undefined makes this easier to understand. For example, when a null column is multiplied by 5, the entire expression also evaluates to null. Use the IsNull function to explicitly check for the null value.

Boolean expressions that contain a null value evaluate to false rather than to null. For more information, see [Relational operators in DataWindow expressions](#).

1.2.2 Relational operators in DataWindow expressions

You use relational operators to compare a value with other values. The result is a boolean expression whose value is always true or false.

Since the result of a boolean expression is always true or false, a relational operator that compares a value to null evaluates to false. For example, the expression "column > 5" evaluates to false (and "NOT column > 5" evaluates to true) when the column value is null.

When you write an expression, you can use the following relational operators (more information about LIKE, IN, and BETWEEN follows the table):

Table 1.7: Using expressions with relational operators

Operator	Meaning	Example
=	Is equal to	Price = 100
>	Is greater than	Price > 100
<	Is less than	Price < 100
<>	Is not equal to	Price <> 100
>=	Greater than or equal to	Price >= 100

Operator	Meaning	Example
<=	Less than or equal to	Price <= 100
NOT =	Is not equal to	Price NOT= 100
LIKE	Matches this specified pattern.	Emp_name LIKE 'C%' OR Emp_name LIKE 'G%'
IN	Is in this set of values.	Dept_id IN (100, 200, 500)
BETWEEN	Is within this range of values. The range includes the first and last values.	Price BETWEEN 1000 AND 3000
NOT LIKE	Does not match this specified pattern.	Emp_name NOT LIKE 'C%' AND Emp_name NOT LIKE 'G%'
NOT IN	Is not in this set of values.	Dept_id NOT IN (100, 200, 500)
NOT BETWEEN	Is outside this range of values. The range includes the first and last values.	Price NOT BETWEEN 1000 AND 2000

Special characters for operations with strings

You can use the following special characters with relational operators that take string values:

Table 1.8: Special characters for use in expressions with relational operators

Special character	Meaning	Example
% (percent)	Matches any group of characters.	Good% matches all names that begin with Good.
_ (underscore)	Matches any single character.	Good ___ matches all 7-letter names that begin with Good.

LIKE and NOT LIKE operators

Use LIKE to search for strings that match a predetermined pattern. Use NOT LIKE to search for strings that do not match a predetermined pattern. When you use LIKE or NOT LIKE, you can use the % or _ characters to match unknown characters in a pattern.

For example, the following expression for the Background.Color property of the Salary column displays salaries in red for employees with last names beginning with F and displays all other salaries in white:

```
If (emp_name LIKE 'F%', RGB(255,0,0), RGB(255,255,255))
```

Escape keyword

If you need to use the % or _ characters as part of the string, you can use the escape keyword to indicate that the character is part of the string. For example, the _ character in the following filter string is part of the string to be searched for, but is treated as a wildcard:

```
comment LIKE ~'%o_a15progress%~'
```

The escape keyword designates any character as an escape character (do not use a character that is part of the string you want to match). In the following example, the asterisk (*) character is inserted before the _ character and designated as an escape character, so that the _ character is treated as part of the string to be matched:

```
comment like ~'%o*_a15progress%~' escape ~'*~'
```

BETWEEN and NOT BETWEEN operators

Use BETWEEN to check if a value is within a range of values. Use NOT BETWEEN to check if a value is not in a range of values. The range of values includes the boundary values that specify the range.

For example, the following expression for the Background.Color property of the Salary column displays salaries in red when an employee's salary is between \$50,000 and \$100,000 and displays all other salaries in white:

```
If(salary BETWEEN 50000 AND 100000, RGB(255,0,0), RGB(255,255,255))
```

You can use the BETWEEN and NOT BETWEEN operators with string values. For example, if the following expression is used for the Visual property of a column, column values display only for departments listed alphabetically between Finance and Sales:

```
If(dept_name BETWEEN 'Finance' AND 'Sales',1,0)
```

The % or _ characters can be used when you are using string values with the BETWEEN and NOT BETWEEN operators. This example might include more department listings than the previous example:

```
If(dept_name BETWEEN 'F%' AND 'S%',1,0)
```

You can also use the BETWEEN and NOT BETWEEN operators with methods. For example:

```
GetRow( ) BETWEEN 5 AND 8
```

IN and NOT IN operators

Use IN to check if a value is in a set of values. Use NOT IN to check if a value is not in a set of values.

For example, the following expression for the Background.Color property of the Salary column displays salaries in red for employees in department 300 or 400 having a salary between \$50,000 and \$100,000, and displays all other salaries in white:

```
If(dept_id IN (300,400) and salary BETWEEN 50000 AND 100000, RGB(255,0,0), RGB(255,255,255))
```

1.2.2.1 Comparing strings in DataWindow expressions

When you compare strings, the comparison is case-sensitive. Leading blanks are significant, but trailing blanks are not.

Case-sensitivity examples

Assume City1 is "Austin" and City2 is "AUSTIN". Then:

```
City1=City2
```

returns false.

To compare strings regardless of case, use the Upper or Lower function. For example:

```
Upper(City1)=Upper(City2)
```

returns true.

For information about these functions, see [Using DataWindow expression functions](#).

Blanks examples

Assume City1 is "Austin" and City2 is " Austin ". Then the expression:

```
City1=City2
```

returns false. PowerBuilder removes the trailing blank before making the comparison, but it does not remove the leading blank.

To prevent leading blanks from affecting a comparison, remove them with one of the trim functions: Trim or LeftTrim.

For example:

```
Trim(City1)=Trim(City2)
```

returns true.

To compare strings when trailing blanks are significant, use an expression such as the following to ensure that any trailing blanks are included in the comparison:

```
City1 + ">" = City2 + ">"
```

For information about these functions, see [Using DataWindow expression functions](#).

1.2.3 Logical operators in DataWindow expressions

You use logical operators to combine boolean expressions into a larger boolean expression. The result is always true or false:

Table 1.9: Using expressions with logical operators

Operator	Meaning	Example
NOT	Logical negation. If A is true, NOT A is false. If A is false, NOT A is true.	NOT Price = 100
AND	Logical and. A AND B is true if both are true. A AND B is false if either is false.	Tax > 3 AND Ship < 5
OR	Logical or. A OR B is true if either is true or both are true. A OR B is false only if both are false.	Tax > 3 OR Ship < 5

When you combine two or more boolean expressions to form a new expression, the new expression is either true or false. The following truth table shows how true and false expressions are evaluated to form an expression that is either true or false.

For example, if "My dog has fleas" is true and "My hair is brown" is false, then "My dog has fleas OR my hair is brown" is true, and "My dog has fleas AND my hair is brown" is false:

Table 1.10: Combining expressions with logical operators

If one expression has this value	And the logical operator is	And if another expression has this value	The resulting expression has this value
TRUE	AND	TRUE	TRUE
TRUE	AND	FALSE	FALSE
FALSE	AND	TRUE	FALSE
FALSE	AND	FALSE	FALSE
TRUE	OR	TRUE	TRUE
TRUE	OR	FALSE	TRUE
FALSE	OR	TRUE	TRUE
FALSE	OR	FALSE	FALSE
NOT TRUE	AND	TRUE	FALSE
NOT TRUE	AND	FALSE	FALSE
NOT FALSE	AND	TRUE	TRUE
NOT FALSE	AND	FALSE	FALSE
NOT TRUE	OR	TRUE	TRUE
NOT TRUE	OR	FALSE	FALSE
NOT FALSE	OR	TRUE	TRUE
NOT FALSE	OR	FALSE	TRUE

If you use a logical operator with a boolean function that returns null, the term with the null return value is evaluated as false. If you use the NOT logical operator with a boolean function that returns null, the complete term evaluates to true. For example, NOT gf_boolean () evaluates to true when gf_boolean returns null.

1.2.4 Concatenation operator in DataWindow expressions

The concatenation operator joins the contents of two variables of the same type to form a longer value. You can concatenate strings and blobs.

To concatenate values, you use the plus sign (+) operator.

Table 1.11: Using expressions with concatenation operator

String expression	Value
"over" + "stock"	overstock
Lname + ', ' + Fname	If Lname is Hill and Fname is Craig, then "Hill, Craig"

Using quotes

You can use either single or double quotes in string expressions. For example, the expression "over" + "stock" is equivalent to the expression 'over' + 'stock'.

1.3 Operator precedence in DataWindow expressions

To ensure predictable results, operators in DataWindow expressions are evaluated in a specific order of precedence. When operators have the same precedence, they are evaluated from left to right.

The following table lists the operators in descending order of precedence:

Table 1.12: Operator precedence in DataWindow expressions

Operator	Purpose
()	Grouping
^	Exponentiation
*, /	Multiplication and division
+, -	Addition and subtraction; string concatenation
IN, LIKE, BETWEEN	SQL SELECT statement conditions
=, >, <, <=, >=, <>	Relational operators
AND, OR	Logical and and logical or
NOT	Logical negation

Overriding the precedence order

Since expressions in parentheses are evaluated first, to override the precedence order, enclose expressions in parentheses. You can also use parentheses to clarify the order of evaluation. Within each set of parentheses, precedence order applies.

In the expression $x+y*a+b$, y is first multiplied by a (because multiplication has a higher precedence than addition). The result of the multiplication is then added to x and this result is then added to b (because the $+$ operators are evaluated left to right).

To force evaluation in a different order, group expressions with parentheses. For example, in the expression $x+(y*(a+b))$, $a+b$ is evaluated first. The sum $a+b$ is then multiplied by y , and this product is added to x .

1.4 Evaluating DataWindow expressions in scripts

In a script, you use methods, properties, and data expressions for the DataWindow control to get information about the state of the DataWindow: the current row, the highlighted row, values of particular items. You can get other information by accessing properties of the DataWindow object, either with the Describe function or with property expressions.

For example, if you need to find the current row in a DataWindow, use the DataWindow control function, GetRow:

```
ll_rownum = dw1.GetRow()
```

If you need to find the first row on the current page in a DataWindow, there is no DataWindow control function to return this information, but you can find it in the appropriate DataWindow object property:

```
ls_first = dw1.Object.DataWindow.FirstRowOnPage
ls_last = dw1.Object.DataWindow.LastRowOnPage
```

```
dw1.Title = "Rows " + ls_first + " to " + ls_last
```

In some cases, however, information you need might not be available either by using DataWindow control functions or by accessing DataWindow object properties.

DataWindow expression functions sometimes provide information that is available in no other way. These functions, which are available within a DataWindow expression, are documented in [Using DataWindow expression functions](#).

1.5 Evaluating DataWindow expressions in the Describe function

The Describe function provides a way to evaluate DataWindow expressions outside their usual context. The Evaluate function, which is used only within Describe, allows you to evaluate DataWindow expressions within a script using data in the DataWindow.

Evaluate has the following syntax:

```
dwcontrol.Describe ("Evaluate ( 'expression' , rownumber ) " )
```

Expression is the expression you want to evaluate and rownumber is the number of the row for which you want to evaluate the expression. The expression can include DataWindow expression functions that cannot be called in a script.

This example displays in the title of the DataWindow control the current page for the current row in the DataWindow:

```
string ls_modstring, ls_rownum
ls_rownum = String(dw1.GetRow())

ls_modstring = "Evaluate('Page()'," + ls_rownum + ")"
// The resulting string, for row 99, would be:
// Evaluate('Page()', 99)

Parent.Title = &
"Current page: "+ dw1.Describe(ls_modstring)
```

This example returns the display value for the dept_id column for row 5:

```
dw1.Describe("Evaluate('LookUpDisplay(dept_id)', 5)")
```

Expressions that apply to all rows

To evaluate an expression that applies to all rows, specify 0 for the rownumber argument. This example calculates the sum of the salary column in the current DataWindow. It will return the expression's result or "!" if the expression is not valid:

```
dw1.Describe("Evaluate('Sum(Salary)', 0)")
```

Evaluating user-specified expressions

In some types of applications, you might use Evaluate to get the result of an expression the user specifies. For example, users might specify the type of aggregation they want to see. This example evaluates an expression specified in a SingleLineEdit. It applies to all rows:

```
dw1.Describe("Evaluate('" + sle_expr.Text + "', 0)")
```

1.6 Evaluating conditional DataWindow expressions with current data

Querying a property for a column

Values for column properties normally apply to all the rows in the column. For example, if you set the Protect property to "1" for the Emp_Id column, the user will be unable to modify Emp_Id for any of the rows. If you query the property value for this column at runtime, it will return "1".

When the column has a conditional expression

Instead of a constant, you can assign a conditional expression to some column properties. Such properties are set on a row-by-row basis at runtime.

For example, you might wish to allow users to enter an employee id for new rows but protect this value for existing rows. The conditional expression for this column's Protect property would be:

```
If(IsRowNew(), 0, 1)
```

When you query the Protect property at runtime, the result in this case would be the actual expression (preceded by a default value and a tab character and enclosed in quotes) instead of the property value. The value for the Protect property would be:

```
"0 <tab> If(IsRowNew(), 0, 1)"
```

Getting a property value for a particular row

To obtain the actual value of the Protect property for a particular row, you need to strip off the default value and the tab and evaluate the returned expression for the desired row. After stripping off the extra information, you can construct an expression for Describe that uses the Evaluate function.

This example checks whether the value of the Protect property for emp_id is a constant or a conditional expression. If it is a conditional expression, the script builds a string for the Describe function that uses Evaluate to get the value for of Protect for the current row:

```
string ls_protect, ls_eval
long ll_row

ll_row = dw1.GetRow()
ls_protect = dw1.Object.id.Protect

IF NOT IsNumber(ls_protect) THEN

    // Get the expression following the tab (~t)
    ls_protect = Right(ls_protect, &
        Len(ls_protect) - Pos(ls_protect, "~t"))

    // Build string for Describe. Include a leading
    // quote to match the trailing quote that remains
    ls_eval = "Evaluate(~" + ls_protect + ", " &
        + String(ll_row) + ")"

    ls_protect = dw1.Describe(ls_eval)

END IF

// Display result
st_result.Text = ls_protect
```

2 DataWindow Expression Functions

About this chapter

This chapter provides syntax, descriptions, and examples of the functions you can use in expressions in the DataWindow painter.

2.1 Using DataWindow expression functions

In the DataWindow painter, you can use DataWindow expression functions in expressions for computed fields, filters, validation rules, and graphed data, with some exceptions.

The dialog boxes in which you define expressions include a list box that lists the available functions and their arguments. The dialog boxes make it easy to insert a function into the expression.

For information about expressions, see [DataWindow Operators and Expressions](#)

Return values for functions and expressions

DataWindow expression functions can return the following datatypes:

Double
Decimal
String
DateTime
Time

Within an expression, a function can return other datatypes (such as boolean, date, or integer), but the final value of an expression is converted to one of these datatypes.

Restrictions for aggregate functions

An aggregate function is a function (such as Avg, Max, StDev, and Sum) that operates on a range of values in a column. When you use an aggregate function, some restrictions apply. You cannot use an aggregate function:

- In a filter
- In a validation rule
- As an argument for another aggregate function

When you use aggregate functions, they cancel the effect of setting Retrieve Rows As Needed. To do the aggregation, the DataWindow object always retrieves all rows.

User-defined functions in PowerBuilder

You can include user-defined functions in DataWindow expressions. The datatype of the function's return value can be any of the following: double, decimal, string, boolean, date, DateTime, or time. The function must be defined as a global function so that it is available to the DataWindow object. However, a global function argument of datatype boolean cannot be provided by a DataWindow expression because it does not map to any of the datatypes listed in [Return values for functions and expressions](#).

Built-in DataWindow expression functions cannot be overridden. For example, if you create a global function called Today, it is used instead of the PowerScript system function Today, but it is not used instead of the DataWindow expression function Today.

Formatting for the locally correct display of numbers

No matter what country you are creating objects and developing an application in, you must use U.S. number notation in numbers or number masks in display formats, edit masks, and DataWindow expressions. This means that when you specify a number or number mask, use a comma as the thousands delimiter and period for the decimal place.

Numbers display appropriately in whatever countries you deploy applications in. At runtime, the locally correct symbols for numbers display (because the international Control Panel settings are used) when numbers are interpreted. For example, in countries where comma represents the decimal place and period represents thousands, users see numbers in those formats at runtime.

For information about the locally correct display of dates and day names, see [String](#) and [DayName](#).

2.2 Decimal support in DataWindow expressions

Description

PowerBuilder provides a variety of ways to work with decimal values in DataWindow expressions.

Usage

The following arithmetic operators now return a decimal value if both operands have a datatype of decimal:

Table 2.1: Columns in the Fin_code table

Operator	Meaning	Example
+	Addition	Subtotal + Tax
-	Subtraction	Price - Discount
*	Multiplication	Quantity*Price
/	Quantity*Price	Quantity*Price

If either operand is not a decimal, the returned value is converted to a double datatype. The exponentiation operator (^) returns a double

Relational operators that operate on numeric values, including =, >, <, <>, >=, and <=, can take decimal operands. The precision of the decimal operand is maintained in comparisons.

The following functions return a decimal datatype if their arguments are decimals: Sum, CumulativeSum, Avg, Median, Count, First, Last, Max, Min, Large, Small, Var, VarP, Mod, Mode, Abs, Case, If.

The following functions return a decimal result instead of a double: CrosstabAvgDec, CrosstabMaxDec, CrosstabMinDec, and CrosstabSumDec.

The Dec function converts a constant string to a decimal.

The Specify Retrieval Arguments dialog box includes the Decimal and Decimal array types.

See also

[Dec](#)

2.3 Four examples

The following topics provide examples that illustrate using DataWindow expression functions.

2.3.1 Example 1: counting null values in a column

A null value is a marker used to fill a place in a column where data is missing for any reason. The value might not be applicable, or it might be missing or unknown. When a database table is created, each column in the table either allows null values or does not allow them. The column or set of columns that define the primary key cannot allow null values. Sometimes it is useful to know how many null values there are in a particular column.

What you want to do

Suppose you are working with the Fin_code table in the Enterprise Application Sample Database. The Fin_code table has three columns:

Table 2.2: Columns in the Fin_code table

Column	What the column is	Allows null values?
Code	Unique financial identifier (primary key)	No
Type	Code type: expense or revenue	No
Description	Code description: the department incurring the expense or getting the revenue	Yes

You create a DataWindow object using the Code and Description columns. You want to know the number of null values in the Description column.

How to do it

In the DataWindow object, you create a computed field that uses functions to display the number of null values in the Description column.

For the sake of demonstrating the use of functions, the following computed fields are created in the Summary band of the DataWindow object (with text objects that tell you what information each computed field is providing):

```
Count(description for all)
```

counts the number of descriptions (that are not null);

```
Sum(If(IsNull(description), 1, 0))
```

returns a 1 if the description column is null, a 0 if the description column is not null, and then adds the total;

```
Count(id for all)
```

counts the number of IDs (which is also the number of rows);

```
Sum(If(IsNull(description), 1, 1))
```

adds the number of nulls and not nulls in the description column (which is the total number of rows) and should match the result of the

Count(id for all) function; and

```
IsNull(description)
```

evaluates whether the last row in the table has a description that is null. The return value of the IsNull function is true or false.

What you get

Here is the design for the DataWindow object.

Id	Description
Header ↑	
id	description
Detail ↑	
Number of descriptions	+ Number of NULLs = Number of rows
count(description for all)	+ Sum(If(IsNull (description) , 1, 0)) = count(id for all)
	Sum(If(IsNull (description) , 1, 1))
Last value NULL? IsNull (description)	
Summary ↑	

Here is the DataWindow object showing eight descriptions, three of which are null and five of which are not null. The last description for Id=8 is null.

Id	Description
1	aaaaaa
2	
3	cccccc
4	
5	eeeeee
6	ffff
7	gggggg
8	
Number of descriptions	+ Number of NULLs = Number of rows
5	+ 3 = 8
	8
Last value NULL? true	

2.3.2 Example 2: counting active and terminated employees

Example 1 demonstrates the use of the Sum and Count functions. Sum and Count are two examples of a class of functions called aggregate functions.

An aggregate function is a function that operates on a range of values in a column. The aggregate functions are:

Table 2.3:

Avg	Large	Mode	Sum
Count	Last	Percent	Var
CumulativePercent	Max	Small	VarP
CumulativeSum	Median	StDev	
First	Min	StDevP	

About crosstab functions

Although the crosstab functions (CrosstabAvg, CrosstabAvgDec, CrosstabCount, CrosstabMax, CrosstabMaxDec, CrosstabMin, CrosstabMinDec, CrosstabSum, and CrosstabSumDec) behave like aggregate functions, they are not included on the list because they are for crosstabs only and are designed to work in the crosstab matrix.

A few restrictions apply to the use of aggregate functions. You cannot use an aggregate function:

- In a filter
- In a validation rule
- As an argument for another aggregate function

This example demonstrates the use of the Sum aggregate function.

What you want to do

Using the employee table in the PB Demo DB as the data source, you create a DataWindow object using at least the Emp_id and the Status columns. You want the DataWindow object to display the number of active employees, terminated employees, and on leave employees in the company.

How to do it

In the summary band in the workspace, add three computed fields to the DataWindow object that use the Sum and If functions:

```
Sum(If(status = "A", 1, 0))
```

counts the number of Active employees in your company;

```
Sum(If(status = "T", 1, 0))
```

counts the number of Terminated employees in your company;

```
Sum(If(status = "L",1,0))
```

counts the number of On Leave employees in your company.

By clicking the Page computed field button, you can also add a Page computed field in the footer band to display the page number and total pages at the bottom of each page of the DataWindow object.

What you get

Here is what the design of the DataWindow object looks like.

Employee ID	Status	
Header ↑		
emp_id	<input type="checkbox"/> Active <input type="checkbox"/> Terminated <input type="checkbox"/> On Leave	
Detail ↑		
Number of Active	Number of Terminated	Number of On Leave
Sum(If (status = "A", 1, 0))	Sum(If (status = "T", 1, 0))	Sum(If (status = "L", 1, 0))
Summary ↑		
'Page ' + page() + ' of ' + PageCount()		
Footer ↑		

Here is the last page of the DataWindow object, with the total number of active employees, terminated employees, and on leave employees in the company displayed.

- 1658 Active
 Terminated
 On Leave
- 1684 Active
 Terminated
 On Leave
- 1740 Active
 Terminated
 On Leave
- 1751 Active
 Terminated
 On Leave

Number of Active	Number of Terminated	Number of On Leave
69	2	4

If you want more information

What if you decide that you also want to know the number of active employees, terminated employees, and on leave employees in each department in the company?

To display the active employees, terminated employees, and on leave employees in each department:

1. Select Design>Data Source from the menu bar so that you can edit the data source.
2. Select Design>Select tables from the menu bar and open the Department table in the Select painter workspace, which currently displays the Employee table with the Emp_id and Status columns selected.
3. Select the department_dept_name column to add it to your data source.
4. Select Rows>Create Group from the menu bar to create a group and group by department name.
5. In the trailer group band, add three additional computed fields:

```
Sum(If(status = "A", 1, 0) for group 1)
```

counts the number of active employees in each department;

```
Sum(If(status = "T", 1, 0) for group 1)
```

counts the number of terminated employees in each department;

```
Sum(If(status = "L", 1, 0) for group 1)
```

counts the number of on leave employees in each department.

Here is what the design of the grouped DataWindow object looks like.

Employee ID	Status	
Header†		
department_dept_name		
1: Header group department_dept_name†		
emp_id	<input type="checkbox"/> Active <input type="checkbox"/> Terminated <input type="checkbox"/> On Leave	
Detail†		
Number of Active	Number of Terminated	Number of On Leave
Sum(If (status = "A", 1, 0) for group 1)	Sum(If (status = "T", 1, 0) for group 1)	Sum(If (status = "L", 1, 0) for group 1)
1: Trailer group department_dept_name†		
Total Number of Active	Total Number of Terminated	Total Number of On Leave
Sum(If (status = "A", 1, 0))	Sum(If (status = "T", 1, 0))	Sum(If (status = "L", 1, 0))
Summary†		
. Page ' + page() + ' of ' + PageCount() .		
Footer†		

Here is the last page of the DataWindow object with the number of active employees, terminated employees, and on leave employees in the shipping department displayed,

followed by the total number of active employees, terminated employees, and on leave employees in the company.

Shipping

- 750 Active
 Terminated
 On Leave
- 868 Active
 Terminated
 On Leave
- 921 Active
 Terminated
 On Leave
- 1013 Active
 Terminated
 On Leave
- 1570 Active
 Terminated
 On Leave
- 1615 Active
 Terminated
 On Leave
- 1658 Active
 Terminated
 On Leave

Number of Active

7

Number of Terminated

1

Number of On Leave

1

Total Number of Active

66

Total Number of Terminated

4

Total Number of On Leave

5

2.3.3 Example 3: creating a row indicator

This example demonstrates the use of several functions: Bitmap, Case, CurrentRow, GetRow, and RGB.

What you want to do

Using the Employee table in the Enterprise Application Sample Database, you create a DataWindow object using the Emp_id, Emp_fname, Emp_lname, and Salary columns.

In the painter, you want to display a number of items such as the number of the current row, an arrow that is an indicator of the current row, and the salary for an employee with a background color that depends on what the salary is.

How to do it

In the workspace, add the following:

- A computed field CurrentRow(), which displays the number of the current row.

- A picture object, which is a right-arrow, for which you define an expression for the arrow's visible property:

```
If(CurrentRow() = GetRow(), 1, 0)
```

The expression causes an arrow to display in the current row and no arrow to display in other rows.

- A computed field using the If, CurrentRow, and GetRow functions:

```
If(CurrentRow() = GetRow(), "Current", "Not current")
```

displays the word "Current" when the row is the current row and "Not current" for all other rows.

- A computed field (typed on one line) using the Bitmap, CurrentRow, and GetRow functions:

```
Bitmap(If(CurrentRow() = GetRow(), "c:\sampl\ex\code\indicatr.bmp", " "))
```

displays an arrow bitmap for the current row and no bitmap for all other rows.


- An expression for the Background.Color property of the salary column:

```
Case(salary WHEN IS >60000 THEN RGB(192,192,192)
WHEN IS >40000 THEN RGB(0,255,0) ELSE
RGB(255,255,255))
```


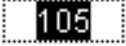
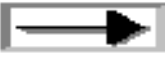
The expression causes a salary above \$40,000 to display in green, a salary above \$60,000 to display in gray, and all other salaries to display in white.

What you get

Here is what the design of the DataWindow object looks like:

Current Row	Employee ID	First Name	Last Name	Salary
CurrentRow()				
Header ↑				
	emp_id	emp_fname	emp_lname	salary
If(currentRow() = getrow(), "Current", "Not current")				
Bitmap(If(CurrentRow() = GetRow(), "c:\sampl\ex\code\indicatr.bmp", " "))				
Detail ↑				

Here is what the data looks like with the second row current.

Current Row	Employee ID	First Name	Last Name	Salary
2	102	Fran	Whitney	\$45,700.00
Not current				
		Matthew	Cobb	\$62,000.00
Current				
	129	Philip	Chin	\$38,500.00
Not current				

Notice that the number of the current row is 2; the first row and the third row are "Not current" (and therefore display no bitmap); and the second row, which is the current row, displays the arrow row indicator.

On your screen, the salary in the first row has a green background because it is more than \$40,000; the salary in the second row has a gray background because it is more than \$60,000; and the salary in the third row has a white background, which matches the background of the DataWindow object.

2.3.4 Example 4: displaying all data when a column allows nulls

When you create an arithmetic expression that has a null value, the value of the expression is null. This makes sense, since null means essentially undefined and the expression is undefined, but sometimes this fact can interfere with what you want to display.

What you want to do

A table in your database has four columns: Id, Corporation, Address1, and Address2. The Corporation, Address1, and Address2 columns allow null values. Using this table as the data source, you create a DataWindow object using the four columns. You now want the DataWindow object to display both parts of the address, separated by a comma.

You create a computed field to concatenate Address1 and Address2 with a comma separator. Here is the expression that defines the computed field:

```
address1 + ", " + address2
```

When you preview the DataWindow object, if either Address1 or Address2 is null, no part of the address displays because the value of the expression is null. To display a part of the address, you need to create a computed field that forces evaluation even if Address2 is null. Note that Address2 is assumed to have data only if Address1 has data for a particular row.

How to do it

In the detail band, create a computed field that uses the If and IsNull functions:

```
If(IsNull(address1 + address2), address1, address1 + ", " + address2)
```

The computed field says this: if the concatenation of the addresses is null (because address2 is null), then display address1, and if it is not null, display both parts of the address separated by a comma.

What you get

Here is what the design of the DataWindow object looks like. It includes both the computed field that does not work and the one that does.

Id	Corporation	Address1	Address2
Header ↑			
id	corporation	address1	address2
		address1 + " " + address2	
		If (IsNull (address1 + address2), address1, address1 + " " + address2)	
Detail ↑			

When you preview the DataWindow object, notice that the first computed field displays null for ABC Corporation and XYZ Corporation. The second computed field displays the first part of the address, which is not null.

Id	Corporation	Address1	Address2
1	Sybase, Inc.	561 Virginia Rd.	Concord, MA 01742
		561 Virginia Rd.	Concord, MA 01742
		561 Virginia Rd.	Concord, MA 01742
2	ABC Corporation	234 Elaine Rd.	
		234 Elaine Rd.	
3	XYZ Corporation	567 Barbara Rd.	
		567 Barbara Rd.	

2.4 Alphabetical list of DataWindow expression functions

The list of DataWindow expression functions follows in alphabetical order.

2.4.1 Abs

Description

Calculates the absolute value of a number.

Syntax

```
Abs ( n )
```

Table 2.4:

Argument	Description
n	The number for which you want the absolute value

Return value

The datatype of n. Returns the absolute value of n.

Examples

This expression counts all the product numbers where the absolute value of the product number is distinct:

```
Count(product_number for All DISTINCT Abs (product_number))
```

Only data with an absolute value greater than 5 passes this validation rule:

```
Abs(value_set) > 5
```

See also

[Count](#)

Abs in Section 2.4.1, “Abs” in *PowerScript Reference*

2.4.2 ACos

Description

Calculates the arc cosine of an angle.

Syntax

```
ACos ( n )
```

Table 2.5:

Argument	Description
n	The ratio of the lengths of two sides of a triangle for which you want a corresponding angle (in radians). The ratio must be a value between -1 and 1.

Return value

Double. Returns the arc cosine of n if it succeeds.

Examples

This expression returns 0:

```
ACos ( 1 )
```

This expression returns 3.141593 (rounded to six places):

```
ACos ( -1 )
```

This expression returns 1.000000 (rounded to six places):

```
ACos ( .540302 )
```

See also

[Cos](#)

[ASin](#)

[ATan](#)

ACos in Part I, "PowerScript Reference"

2.4.3 Asc

Description

Converts the first character of a string to its Unicode code point. A Unicode code point is the numerical integer value given to a Unicode character.

Syntax

```
Asc ( string )
```

Table 2.6:

Argument	Description
string	The string for which you want the code point value of the first character

Return value

Unsigned integer. Returns the code point value of the first character in string.

Usage

Use Asc to test the case of a character or manipulate text and letters.

To find out the case of a character, you can check whether its code point value is within the appropriate range.

Examples

This expression for a computed field returns the string in code_id if the code point value of the first character in code_id is A (65):

```
If (Asc(code_id) = 65, code_id, "Not a valid code")
```

This expression for a computed field checks the case of the first character of lname and if it is lowercase, makes it uppercase:

```
If (Asc(lname) > 64 AND Asc(lname) < 91, lname, WordCap(lname))
```

See also

[Char](#)[WordCap](#)Asc in Section 2.4.31, “Asc” in *PowerScript Reference*

2.4.4 AscA

Description

Converts the first character of a string to its ASCII integer value.

Syntax

```
AscA ( string )
```

Table 2.7:

Argument	Description
string	The string for which you want the ASCII value of the first character

Return value

Integer. Returns the ASCII value of the first character in string.

Usage

Use AscA to test the case of a character or manipulate text and letters.

To find out the case of a character, you can check whether its ASCII value is within the appropriate range.

Examples

This expression for a computed field returns the string in code_id if the ASCII value of the first character in code_id is A (65):

```
If (AscA(code_id) = 65, code_id, "Not a valid code")
```

This expression for a computed field checks the case of the first character of lname and if it is lowercase, makes it uppercase:

```
IF (AscA(lname) > 64 AND AscA(lname) < 91, lname, WordCap(lname))
```

See also

[CharA](#)[WordCap](#)

AscA in Part I, “PowerScript Reference”

2.4.5 ASin

Description

Calculates the arc sine of an angle.

Syntax

```
ASin ( n )
```

Table 2.8:

Argument	Description
n	The ratio of the lengths of two sides of a triangle for which you want a corresponding angle (in radians). The ratio must be a value between -1 and 1.

Return value

Double. Returns the arc sine of n if it succeeds.

Examples

This expression returns .999998 (rounded to six places):

```
ASin(.84147)
```

This expression returns .520311 (rounded to six places):

```
ASin(LogTen (Pi (1)))
```

This expression returns 0:

```
ASin(0)
```

See also

[Sin](#)

[ACos](#)

[ATan](#)

[Pi](#)

ASin in Section 2.4.33, “ASin” in *PowerScript Reference*

2.4.6 ATan**Description**

Calculates the arc tangent of an angle.

Syntax

```
ATan ( n )
```

Table 2.9:

Argument	Description
n	The ratio of the lengths of two sides of a triangle for which you want a corresponding angle (in radians)

Return value

Double. Returns the arc tangent of n if it succeeds.

Examples

This expression returns 0:

```
ATan(0)
```

This expression returns 1.000 (rounded to three places):

```
ATan(1.55741)
```

This expression returns 1.267267 (rounded to six places):

```
ATan(Pi(1))
```

See also

[Tan](#)

[ASin](#)

[ACos](#)

ATan in Section 2.4.39, “ATan” in *PowerScript Reference*

2.4.7 Avg

Description

Calculates the average of the values of the column.

Syntax

```
Avg ( column { FOR range { DISTINCT { expres1 { , expres2 { , ... } } } } } )
```

Table 2.10:

Argument	Description
column	The column for which you want the average of the data values. Column can be the column name or the column number preceded by a pound sign (#). Column can also be an expression that includes a reference to the column. The datatype of column must be numeric.
FOR range (optional)	<p>The data that will be included in the average. For most presentation styles, values for range are:</p> <ul style="list-style-type: none"> • ALL -- (Default) The average of all values in column. • GROUP n -- The average of values in column in the specified group. Specify the keyword GROUP followed by the group number: for example, GROUP 1. • PAGE -- The average of the values in column on a page. <p>For Crosstabs, specify CROSSTAB for range:</p> <ul style="list-style-type: none"> • CROSSTAB -- (Crosstabs only) The average of all values in column in the crosstab. <p>For Graph and OLE objects, specify one of the following:</p> <ul style="list-style-type: none"> • GRAPH -- (Graphs only) The average of values in column in the range specified for the Rows option.

Argument	Description
	<ul style="list-style-type: none"> • OBJECT -- (OLE objects only) The average of values in column in the range specified for the Rows option.
DISTINCT (optional)	Causes Avg to consider only the distinct values in column when calculating the average. For a value of column, the first row found with the value is used and other rows that have the same value are ignored.
expressn (optional)	One or more expressions that you want to evaluate to determine distinct rows. Expressn can be the name of a column, a function, or an expression.

Return value

The numeric datatype of the column. Returns the average of the values of the rows in range.

Usage

If you specify range, Avg returns the average value of column in range. If you specify DISTINCT, Avg returns the average value of the distinct values in column, or if you specify expressn, the average of column for each distinct value of expressn.

For graphs and OLE objects, you do not select the range when you call the function. The range has already been determined by the Rows setting on the Data property page (the Range property), and the aggregation function uses that range. Settings for Rows include the following:

- For the Graph or OLE presentation style, Rows is always All.
- For Graph controls, Rows can be All, Page, or Group.
- For OLE controls, Rows can be All, Current Row, Page, or Group. The available choices depend on the layer the control occupies.

In calculating the average, null values are ignored.

Not in validation rules or filter expressions

You cannot use this or other aggregate functions in validation rules or filter expressions.

Using an aggregate function cancels the effect of setting Retrieve Rows As Needed in the painter. To do the aggregation, a DataWindow object always retrieves all rows.

Examples

This expression returns the average of the values in the column named salary:

```
Avg(salary)
```

This expression returns the average of the values in group 1 in the column named salary:

```
Avg(salary for group 1)
```

This expression returns the average of the values in column 5 on the current page:

```
Avg(#5 for page)
```


This computed field returns Above Average if the average salary for the page is greater than the average salary:

```
If(Avg(salary for page) > Avg(salary), "Above Average", " ")
```

This expression for a graph value sets the data to the average value of the sale_price column:

```
Avg(sale_price)
```

This expression for a graph value sets the data value to the average value of the sale_price column for the entire graph:

```
Avg(sale_price for graph)
```

Assuming a DataWindow object displays the order number, amount, and line items for each order, this computed field returns the average of the order amount for the distinct order numbers:

```
Avg(order_amt for all DISTINCT order_nbr)
```

See also

[Median](#)

[Mode](#)

2.4.8 Bitmap

Description

Displays the specified image file.

For computed fields only

You can use the Bitmap function only in a computed field.

Syntax

```
Bitmap ( string )
```

Table 2.11:

Argument	Description
string	A column containing the image files, a string containing the name of an image file (a BMP, GIF, JPEG, RLE, or WMF file), or an expression that evaluates to a string containing the name of an image file

Return value

The special datatype bitmap, which cannot be used in any other function.

Usage

Use Bitmap to dynamically display an image file in a computed field. When string is a column containing image files, a different image can display for each row.

Examples

These examples are all expressions for a computed field.

This expression dynamically displays the image file contained in the column named employees:

```
Bitmap(employees)
```

If the employees column is column 3, this next expression gives the same result as the expression above:

```
Bitmap(#3)
```

This expression displays the tools.bmp file:

```
Bitmap("TOOLS.BMP")
```

If the image file has no file extension, the method will check whether the file is a valid image file (a BMP, GIF, JPEG, RLE, or WMF file). For example, this expression displays the person file if it is a valid image file.

```
Bitmap("E:\images\person")
```

This expression tests the value in the column named password and then uses the value to determine which image to display:

```
Bitmap(If(password = "Y", "yes.bmp", "no.bmp"))
```

See also

[Example 3: creating a row indicator](#)

2.4.9 Case

Description

Tests the values of a column or expression and returns values based on the results of the test.

Syntax

```
Case ( column WHEN value1 THEN result1 { WHEN value2 THEN result2
  { ... } } { ELSE resultelse } )
```

Table 2.12:

Argument	Description
column	The column or expression whose values you want to test. Column can be the column name or the column number preceded by a pound sign (#). Column can also be an expression that includes a reference to the column. Column is compared to each value.
WHEN (optional)	Introduces a value-result pair. At least one WHEN is required.
valuen	One or more values that you want to compare to values of column. A value can be: <ul style="list-style-type: none"> • A single value • A list of values separated by commas (for example, 2, 4, 6, 8) • A TO clause (for example, 1 TO 20)

Argument	Description
	<ul style="list-style-type: none"> IS followed by a relational operator and comparison value (for example, IS>5) Any combination of the above with an implied OR between expressions (for example, 1,3,5,7,9,27 TO 33, IS>42)
THEN	Introduces the result to be returned when column matches the corresponding valuen.
resultn	An expression whose value is returned by Case for the corresponding valuen. All resultn values must have the same datatype.
ELSE (optional)	Specifies that for any values of column that do not match the values of valuen already specified, Case returns resultelse.
resultelse	An expression whose value is returned by Case when the value of column does not match any WHEN valuen expression.

Return value

The datatype of resultn. Returns the result you specify in resultn.

Usage

If more than one WHEN clause matches column, Case returns the result of the first matching one.

Examples

This expression for the Background.Color property of a Salary column returns values that represent red when an employee's salary is greater than \$70,000, green when an employee's salary is greater than \$50,000, and blue otherwise:

```
Case(salary WHEN IS >70000 THEN RGB(255,0,0) WHEN IS >50000 THEN RGB(0,255,0) ELSE RGB(0,0,255))
```

This expression for the Background.Color property of an employee Id column returns red for Id 101, gray for Id 102, and black for all other Id numbers:

```
Case(emp_id WHEN 101 THEN 255 WHEN 102 THEN RGB(100,100,100) ELSE 0)
```

This expression for the Format property of the Marital_status column returns Single, Married, and Unknown based on the data value of the Marital_status column for an employee:

```
Case(marital_status WHEN 'S' THEN 'Single' WHEN 'M' THEN 'Married' ELSE 'Unknown')
```

See also

[Example 3: creating a row indicator](#)

[If](#)

2.4.10 Ceiling

Description

Retrieves the smallest whole number that is greater than or equal to a specified limit.

Syntax

```
Ceiling ( n )
```

Table 2.13:

Argument	Description
n	The number for which you want the smallest whole number that is greater than or equal to it

Return value

The datatype of n. Returns the smallest whole number that is greater than or equal to n.

Examples

These expressions both return -4:

```
Ceiling(-4.2)
```

```
Ceiling(-4.8)
```

This expression for a computed field returns ERROR if the value in discount_amt is greater than the smallest whole number that is greater than or equal to discount_factor times price. Otherwise, it returns discount_amt:

```
If(discount_amt <= Ceiling(discount_factor * price),  
String(discount_amt), "ERROR")
```

To pass this validation rule, the value in discount_amt must be less than or equal to the smallest whole number that is greater than or equal to discount_factor times price:

```
discount_amt <= Ceiling(discount_factor * price)
```

See also

[Int](#)

[Round](#)

[Truncate](#)

Ceiling in Section 2.4.59, “Ceiling” in *PowerScript Reference*

2.4.11 Char

Description

Converts an integer to a Unicode character.

Syntax

```
Char ( n )
```

Table 2.14:

Argument	Description
n	The integer you want to convert to a character

Return value

String. Returns the character whose code point value is n.

Examples

This expression returns the escape character:

```
Char ( 27 )
```

See also

[Asc](#)

Char in Section 2.4.62, “Char” in *PowerScript Reference*

2.4.12 CharA

Description

Converts an integer to an ASCII character.

Syntax

```
CharA ( n )
```

Table 2.15:

Argument	Description
n	The integer you want to convert to a character

Return value

String. Returns the character whose ASCII value is n.

Examples

This expression returns the escape character:

```
CharA ( 27 )
```

See also

[AscA](#)

CharA in Section 2.4.63, “CharA” in *PowerScript Reference*

2.4.13 Cos

Description

Calculates the cosine of an angle.

Syntax

```
Cos ( n )
```

Table 2.16:

Argument	Description
n	The angle (in radians) for which you want the cosine

Return value

Double. Returns the cosine of n.

Examples

This expression returns 1:

```
Cos(0)
```

This expression returns .540302:

```
Cos(1)
```

This expression returns -1:

```
Cos(Pi(1))
```

See also

[Pi](#)

[Sin](#)

[Tan](#)

Cos in Section 2.4.95, “Cos” in *PowerScript Reference*

2.4.14 Count

Description

Calculates the total number of rows in the specified column.

Syntax

```
Count ( column { FOR range { DISTINCT { expres1 { , expres2 { , ... } } } } } )
```

Table 2.17:

Argument	Description
column	The column for which you want the number of rows. Column can be the column name or the column number preceded by a pound sign (#). Column can also be an expression that includes a reference to the column.
FOR range (optional)	<p>The data that will be included in the count. For most presentation styles, values for range are:</p> <ul style="list-style-type: none"> • ALL -- (Default) The count of all rows in column. • GROUP n -- The count of rows in column in the specified group. Specify the keyword GROUP followed by the group number: for example, GROUP 1. • PAGE -- The count of the rows in column on a page. <p>For Crosstabs, specify CROSSTAB for range:</p> <ul style="list-style-type: none"> • CROSSTAB -- (Crosstabs only) The count of all rows in column in the crosstab.

Argument	Description
	<p>For Graph and OLE objects, specify one of the following:</p> <ul style="list-style-type: none"> • GRAPH -- (Graphs only) The count of values in column in the range specified for the Rows option. • OBJECT -- (OLE objects only) The count of values in column in the range specified for the Rows option.
DISTINCT (optional)	Causes Count to consider only the distinct values in column when counting the rows. For a value of column, the first row found with the value is used and other rows that have the same value are ignored.
express (optional)	One or more expressions that you want to evaluate to determine distinct rows. Express can be the name of a column, a function, or an expression.

Usage

If you specify range, Count determines the number of rows in column in range. If you specify DISTINCT, Count returns the number of the distinct rows displayed in column, or if you specify express, the number of rows displayed in column where the value of express is distinct.

For graphs and OLE objects, you do not select the range when you call the function. The range has already been determined by the Rows setting on the Data property page (the Range property), and the aggregation function uses that range.

Settings for Rows include the following:

- For the Graph or OLE presentation style, Rows is always All.
- For Graph controls, Rows can be All, Page, or Group.
- For OLE controls, Rows can be All, Current Row, Page, or Group. The available choices depend on the layer the control occupies.

Null values in the column are ignored and are not included in the count.

Not in validation rules or filter expressions

You cannot use this or other aggregate functions in validation rules or filter expressions.

Using an aggregate function cancels the effect of setting Retrieve Rows As Needed in the painter. To do the aggregation, a DataWindow object always retrieves all rows.

Examples

This expression returns the number of rows in the column named emp_id that are not null:

```
Count(emp_id)
```

This expression returns the number of rows in the column named emp_id of group 1 that are not null:

```
Count(emp_id for group 1)
```

This expression returns the number of dept_ids that are distinct:

```
Count(dept_id for all DISTINCT)
```

This expression returns the number of regions with distinct products:

```
Count(region_id for all DISTINCT Lower(product_id))
```

This expression returns the number of rows in column 3 on the page that are not null:

```
Count(#3 for page)
```

See also

[Example 1: counting null values in a column](#)

2.4.15 CrosstabAvg

Description

Calculates the average of the values returned by an expression in the values list of the crosstab. When the crosstab definition has more than one column, CrosstabAvg can also calculate averages of the expression's values for groups of column values.

For crosstabs only

You can use this function only in a crosstab DataWindow object.

Syntax

```
CrosstabAvg ( n {, column, groupvalue } )
```

Table 2.18:

Argument	Description
n	The number of the crosstab-values expression for which you want the average of the returned values. The crosstab expression must be numeric.
column (optional)	The number of the crosstab column as it is listed in the Columns box of the Crosstab Definition dialog box for which you want intermediate calculations.
groupvalue (optional)	A string whose value controls the grouping for the calculation. Groupvalue is usually a value from another column in the crosstab. To specify the current column value in a dynamic crosstab, rather than a specific value, specify @ plus the column name as a quoted string.

Return value

Double. Returns the average of the crosstab values returned by expression n for all the column values or, optionally, for a subset of column values. To return a decimal datatype, use [CrosstabAvgDec](#).

Usage

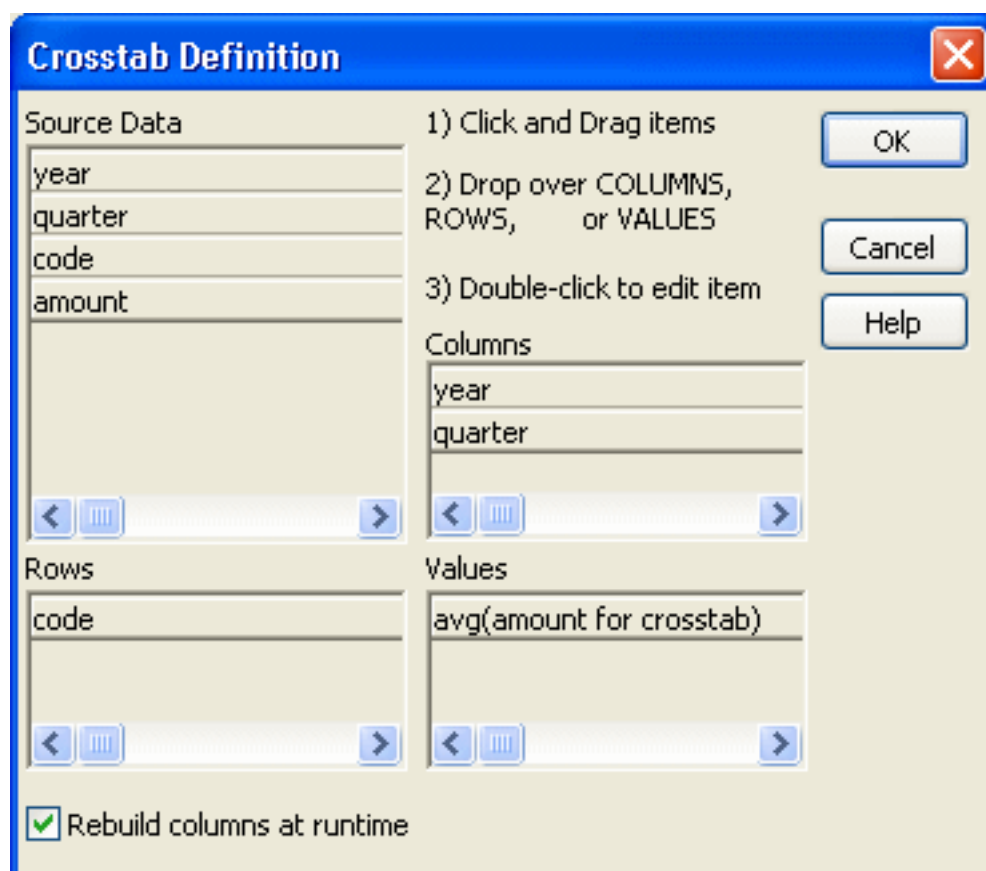
This function is meaningful only for the average of the values of the expression in a row in the crosstab. This means you can use it only in the detail band, not in a header, trailer, or summary band.

Null values are ignored and are not included in the average.

How functions in a crosstab are used

When a crosstab is generated from your definition, the appropriate computed fields are automatically created using the Crosstab functions. To understand the functions, consider a crosstab with two columns (year and quarter), a row (product), and the values expression Avg(amount for crosstab).

The Crosstab Definition dialog box looks like this.



When you define the crosstab described above, the painter automatically creates the appropriate computed fields. A computed field named avg_amount returns the average of the quarterly figures for each year. Its expression is:

```
CrosstabAvg(1, 2, "@year")
```

A second computed field named grand_avg_amount computes the average of all the amounts in the row. Its expression is:

```
CrosstabAvg(1)
```

Other computed fields in the summary band use the Avg function to display the average of the values in the amount column, the yearly averages, and the final average.

The crosstab in the Design view looks like this.

	Year	Quarter	
Header[1] ↑			
	@year	@year Avg	
Header[2] ↑			
Code	@quarter		Grand Avg
Header[3] ↑			
code	amount	crosstabavg(1, 2, "@year")	crosstabavg(1)
Detail ↑			
"Grand Avg"	avg(amount for all)	avg(avg_amount for all)	avg(grand_avg_amount for all)
Summary ↑			
Footer ↑			

Each row in the crosstab (after adjusting the column widths) has cells for the amounts in the quarters, a repeating cell for the yearly average, and a grand average. The crosstab also displays averages of the amounts for all the financial codes in the quarters in the summary band at the bottom.

	Year	Quarter									
	1997				1997 Avg	1998				1998 Avg	
Code	Q1	Q2	Q3	Q4		Q1	Q2	Q3	Q4		
e1	101	93	129	145	117	153	149	157	163	156	
e2	403	459	609	632	526	643	687	898	923	788	
e3	1,437	2,033	2,184	2,145	1,950	2,478	2,998	3,702	3,600	3,195	
e4	623	784	856	1,043	827	1,051	1,158	1,459	1,439	1,277	
e5	381	402	412	467	416	523	749	723	748	686	
r1	1,023	2,033	2,998	3,014	2,267	3,114	3,998	6,523	7,267	5,226	
r2	234	459	601	944	560	992	1,195	1,704	1,823	1,429	
Grand Avg	600	895	1,113	1,199	952	1,279	1,562	2,167	2,280	1,822	

1999					1999 Avg	Grand Avg
Q1	Q2	Q3	Q4			
198	204	214	231	212	161	
921	975	984	982	966	760	
4,139	4,500	4,532	5,298	4,617	3,254	
1,462	1,472	1,439	1,498	1,468	1,190	
798	983	956	963	925	675	
9,144	10,988	13,567	15,199	12,225	6,572	
1,839	2,011	2,897	4,129	2,719	1,569	
2,643	3,019	3,513	4,043	3,304	2,026	

What the function arguments mean

When the crosstab definition has more than one column, you can specify column qualifiers for any of the Crosstab functions, so that the crosstab displays calculations for groups of column values. As illustrated previously, when year and quarter are the columns in the crosstab, the expression for the computed field is:

```
CrosstabAvg(1, 2, "@year")
```

The value 2 refers to the quarter column (the second column in the Crosstab Definition dialog) and "@year" specifies grouping values from the year column (meaning the function

will average values for the quarters within each year). The value 1 refers to the crosstab-values expression that will be averaged. In the resulting crosstab, the computed field repeats in each row after the cells for the quarters within each year.

Tips for defining crosstabs

When you define a crosstab with more than one column, the order of the columns in the Columns box of the Crosstab Definition dialog box governs the way the columns are grouped. To end up with the most effective expressions, make the column that contains the grouping values (for example, year or department) the first column in the Columns box and the column that contains the values to be grouped (for example, quarter or employee) second.

To display calculations for groups of rows, define groups as you would for other DataWindow presentation styles and define computed fields in the group header or footer using noncrosstab aggregation functions, such as Avg, Sum, or Max.

Reviewing the expressions

To review the expressions defined for the crosstab values, open the Crosstab Definition dialog box (select Design>Crosstab from the menubar).

Examples

The first two examples use the crosstab expressions shown below:

```
Count(emp_id for crosstab),Sum(salary for crosstab)
```

This expression for a computed field in the crosstab returns the average of the employee counts (the first expression):

```
CrosstabAvg(1)
```

This expression for a computed field in the crosstab returns the average of the salary totals (the second expression):

```
CrosstabAvg(2)
```

Consider a crosstab that has two columns (region and city) and the values expression Avg(sales for crosstab). This expression for a computed field in the detail band computes the average sales over all the cities in a region:

```
CrosstabAvg(1, 2, "@region")
```

This expression for another computed field in the same crosstab computes the grand average over all the cities:

```
CrosstabAvg(1)
```

See also

[CrosstabAvgDec](#)

[CrosstabCount](#)

[CrosstabMax](#)

[CrosstabMin](#)

[CrosstabSum](#)

2.4.16 CrosstabAvgDec

Description

Calculates the average of the values returned by an expression in the values list of the crosstab and returns a result with the decimal datatype. When the crosstab definition has more than one column, CrosstabAvgDec can also calculate averages of the expression's values for groups of column values.

For crosstabs only

You can use this function only in a crosstab DataWindow object.

Syntax

```
CrosstabAvgDec ( n { , column, groupvalue } )
```

Table 2.19:

Argument	Description
n	The number of the crosstab-values expression for which you want the average of the returned values. The crosstab expression must be numeric.
column (optional)	The number of the crosstab column as it is listed in the Columns box of the Crosstab Definition dialog box for which you want intermediate calculations.
groupvalue (optional)	A string whose value controls the grouping for the calculation. Groupvalue is usually a value from another column in the crosstab. To specify the current column value in a dynamic crosstab, rather than a specific value, specify @ plus the column name as a quoted string.

Return value

Decimal. Returns the average of the crosstab values returned by expression n for all the column values or, optionally, for a subset of column values.

Usage

Use this function instead of CrosstabAvg when you want to return a decimal datatype instead of a double datatype. For more information, see [CrosstabAvg](#).

See also

[CrosstabMaxDec](#)

[CrosstabMinDec](#)

[CrosstabSumDec](#)

[Decimal support in DataWindow expressions](#)

2.4.17 CrosstabCount

Description

Counts the number of values returned by an expression in the values list of the crosstab. When the crosstab definition has more than one column, CrosstabCount can also count the number of the expression's values for groups of column values.

For crosstabs only

You can use this function only in a crosstab DataWindow object.

Syntax

```
CrosstabCount ( n { , column , groupvalue } )
```

Table 2.20:

Argument	Description
n	The number of the crosstab-values expression for which you want the total number of returned values.
column (optional)	The number of the crosstab column as it is listed in the Columns box of the Crosstab Definition dialog for which you want intermediate calculations.
groupvalue (optional)	A string whose value controls the grouping for the calculation. Groupvalue is usually a value from another column in the crosstab. To specify the current column value in a dynamic crosstab, rather than a specific value, specify @ plus the column name as a quoted string.

Return value

Long. Returns the number of values returned by expression n for all the column values or, optionally, for a subset of column values.

Usage

This function is meaningful only for the count of the values of the expression in a row in the crosstab. This means you can use it only in the detail band, not in a header, trailer, or summary band.

Null values are ignored and are not included in the count.

For more information about restricting the calculation to groups of values when the crosstab definition has more than one column, see Usage for [CrosstabAvg](#).

Reviewing the expressions

To review the expressions defined for the crosstab values, open the Crosstab Definition dialog box (select Design>Crosstab from the menubar).

Examples

These examples all use the crosstab-values expressions shown below:

```
Count(emp_id for crosstab), Sum(salary for crosstab)
```

This expression for a computed field in the crosstab returns the count of the employee counts (the first expression):

```
CrosstabCount(1)
```

This expression for a computed field in the crosstab returns the count of the salary totals (the second expression):

```
CrosstabCount ( 2 )
```

The next two examples use a crosstab with two columns (year and quarter), a row (product), and the values expression Avg(sales for crosstab).

This expression for a computed field returns the count of the sales for each year:

```
CrosstabCount ( 1, 2, "@year" )
```

This expression for a computed field returns the count of all the sales in the row:

```
CrosstabCount ( 1 )
```

For an example illustrating how the painter automatically defines a crosstab by creating computed fields using the Crosstab functions, see [CrosstabAvg](#).

See also

[CrosstabAvg](#)

[CrosstabMax](#)

[CrosstabMin](#)

[CrosstabSum](#)

2.4.18 CrosstabMax

Description

Calculates the maximum value returned by an expression in the values list of the crosstab. When the crosstab definition has more than one column, CrosstabMax can also calculate the maximum of the expression's values for groups of column values.

For crosstabs only

You can use this function only in a crosstab DataWindow object.

Syntax

```
CrosstabMax ( n { , column, groupvalue } )
```

Table 2.21:

Argument	Description
n	The number of the crosstab-values expression for which you want the maximum returned value. The expression's datatype must be numeric.
column (optional)	The number of the crosstab column as it is listed in the Columns box of the Crosstab Definition dialog box for which you want intermediate calculations.
groupvalue (optional)	A string whose value controls the grouping for the calculation. Groupvalue is usually a value from another column in the crosstab. To specify the current column value in a dynamic crosstab, rather than a specific value, specify @ plus the column name as a quoted string.

Return value

Double. Returns the maximum value returned by expression n for all the column values or, optionally, for a subset of column values. To return a decimal datatype, use `CrosstabMaxDec`.

Usage

This function is meaningful only for the maximum of the values of the expression in a row in the crosstab. This means you can use it only in the detail band, not in a header, trailer, or summary band.

Null values are ignored and are not included in the comparison.

For more information about restricting the calculation to groups of values when the crosstab definition has more than one column, see Usage for [CrosstabAvg](#).

Reviewing the expressions

To review the expressions defined for the crosstab values, open the Crosstab Definition dialog box (select Design>Crosstab from the menubar).

Examples

These examples all use the crosstab-values expressions shown below:

```
Count(emp_id for crosstab), Sum(salary for crosstab)
```

This expression for a computed field in the crosstab returns the maximum of the employee counts (the first expression):

```
CrosstabMax(1)
```

This expression for a computed field in the crosstab returns the maximum of the salary totals (the second expression):

```
CrosstabMax(2)
```

The next two examples use a crosstab with two columns (year and quarter), a row (product), and a values expression `Avg(sales for crosstab)`.

This expression for a computed field returns the largest of the quarterly average sales for each year:

```
CrosstabMax(1, 2, "@year")
```

This expression for a computed field returns the maximum of all the average sales in the row:

```
CrosstabMax(1)
```

For an example illustrating how the painter automatically defines a crosstab by creating computed fields using the Crosstab functions, see [CrosstabAvg](#).

See also

[CrosstabAvg](#)

[CrosstabCount](#)

[CrosstabMaxDec](#)

[CrosstabMin](#)

[CrosstabSum](#)

2.4.19 CrosstabMaxDec

Description

Calculates the maximum value returned by an expression in the values list of the crosstab and returns a result with the decimal datatype. When the crosstab definition has more than one column, CrosstabMaxDec can also calculate the maximum of the expression's values for groups of column values.

For crosstabs only

You can use this function only in a crosstab DataWindow object.

Syntax

```
CrosstabMaxDec ( n { , column, groupvalue } )
```

Table 2.22:

Argument	Description
n	The number of the crosstab-values expression for which you want the maximum returned value. The expression's datatype must be numeric.
column (optional)	The number of the crosstab column as it is listed in the Columns box of the Crosstab Definition dialog box for which you want intermediate calculations.
groupvalue (optional)	A string whose value controls the grouping for the calculation. Groupvalue is usually a value from another column in the crosstab. To specify the current column value in a dynamic crosstab, rather than a specific value, specify @ plus the column name as a quoted string.

Return value

Decimal. Returns the maximum value returned by expression n for all the column values or, optionally, for a subset of column values.

Usage

Use this function instead of CrosstabMax when you want to return a decimal datatype instead of a double datatype. For more information, see [CrosstabMax](#).

See also

[CrosstabAvgDec](#)

[CrosstabMinDec](#)

[CrosstabSumDec](#)

[Decimal support in DataWindow expressions](#)

2.4.20 CrosstabMin

Description

Calculates the minimum value returned by an expression in the values list of the crosstab. When the crosstab definition has more than one column, CrosstabMin can also calculate the minimum of the expression's values for groups of column values.

For crosstabs only

You can use this function only in a crosstab DataWindow object.

Syntax

```
CrosstabMin ( n { , column, groupvalue } )
```

Table 2.23:

Argument	Description
n	The number of the crosstab-values expression for which you want the minimum return value. The expression's datatype must be numeric.
column (optional)	The number of the crosstab column as it is listed in the Columns box of the Crosstab Definition dialog box for which you want intermediate calculations.
groupvalue (optional)	A string whose value controls the grouping for the calculation. Groupvalue is usually a value from another column in the crosstab. To specify the current column value in a dynamic crosstab, rather than a specific value, specify @ plus the column name as a quoted string.

Return value

Double. Returns the minimum value returned by expression n for all the column values or, optionally, for a subset of column values. To return a decimal datatype, use [CrosstabMinDec](#).

Usage

This function is meaningful only for the minimum of the values of the expression in a row in the crosstab. This means you can use it only in the detail band, not in a header, trailer, or summary band.

Null values are ignored and are not included in the comparison.

For more information about restricting the calculation to groups of values when the crosstab definition has more than one column, see Usage for [CrosstabAvg](#).

Reviewing the expressions

To review the expressions defined for the crosstab values, open the Crosstab Definition dialog box (select Design>Crosstab from the menubar).

Examples

These examples all use the crosstab-values expressions shown below:

```
Count(emp_id for crosstab), Sum(salary for crosstab)
```

This expression for a computed field in the crosstab returns the minimum of the employee counts (the first expression):

```
CrosstabMin(1)
```

This expression for a computed field in the crosstab returns the minimum of the salary totals (the second expression):

```
CrosstabMin(2)
```

The next two examples use a crosstab with two columns (year and quarter), a row (product), and the values expression Avg(sales for crosstab).

This expression for a computed field returns the smallest of the quarterly average sales for each year:

```
CrosstabMin(1, 2, "@year")
```

This expression for a computed field returns the minimum of all the average sales in the row:

```
CrosstabMin(1)
```

For an example illustrating how the painter automatically defines a crosstab by creating computed fields using the crosstab functions, see [CrosstabAvg](#).

See also

[CrosstabAvg](#)

[CrosstabCount](#)

[CrosstabMax](#)

[CrosstabMinDec](#)

[CrosstabSum](#)

2.4.21 CrosstabMinDec

Description

Calculates the minimum value returned by an expression in the values list of the crosstab and returns a result with the decimal datatype. When the crosstab definition has more than one column, CrosstabMinDec can also calculate the minimum of the expression's values for groups of column values.

For crosstabs only

You can use this function only in a crosstab DataWindow object.

Syntax

```
CrosstabMinDec ( n {, column, groupvalue } )
```

Table 2.24:

Argument	Description
n	The number of the crosstab-values expression for which you want the minimum return value. The expression's datatype must be numeric.
column (optional)	The number of the crosstab column as it is listed in the Columns box of the Crosstab Definition dialog box for which you want intermediate calculations.
groupvalue (optional)	A string whose value controls the grouping for the calculation. Groupvalue is usually a value from another column in the crosstab. To

Argument	Description
	specify the current column value in a dynamic crosstab, rather than a specific value, specify @ plus the column name as a quoted string.

Return value

Decimal. Returns the minimum value returned by expression n for all the column values or, optionally, for a subset of column values.

Usage

Use this function instead of CrosstabMin when you want to return a decimal datatype instead of a double datatype. For more information, see [CrosstabMin](#).

See also

[CrosstabAvgDec](#)

[CrosstabMaxDec](#)

[CrosstabSumDec](#)

[Decimal support in DataWindow expressions](#)

2.4.22 CrosstabSum**Description**

Calculates the sum of the values returned by an expression in the values list of the crosstab. When the crosstab definition has more than one column, CrosstabSum can also calculate the sum of the expression's values for groups of column values.

For crosstabs only

You can use this function only in a crosstab DataWindow object.

Syntax

```
CrosstabSum ( n {, column, groupvalue } )
```

Table 2.25:

Argument	Description
n	The number of the crosstab-values expression for which you want the sum of the returned values. The expression's datatype must be numeric.
column (optional)	The number of the crosstab column as it is listed in the Columns box of the Crosstab Definition dialog box for which you want intermediate calculations.
groupvalue (optional)	A string whose value controls the grouping for the calculation. Groupvalue is usually a value from another column in the crosstab. To specify the current column value in a dynamic crosstab, rather than a specific value, specify @ plus the column name as a quoted string.

Return value

Double. Returns the total of the values returned by expression n for all the column values or, optionally, for a subset of column values. To return a decimal datatype, use [CrosstabSumDec](#).

Usage

This function is meaningful only for the sum of the values of the expression in a row in the crosstab. This means you can use it only in the detail band, not in a header, trailer, or summary band.

Null values are ignored and are not included in the sum.

For more information about restricting the calculation to groups of values when the crosstab definition has more than one column, see Usage for [CrosstabAvg](#).

Reviewing the expressions

To review the expressions defined for the crosstab values, open the Crosstab Definition dialog box (select Design>Crosstab from the menubar).

Examples

These examples all use the crosstab-values expressions shown below:

```
Count(emp_id for crosstab),Sum(salary for crosstab)
```

This expression for a computed field in the crosstab returns the sum of the employee counts (the first expression):

```
CrosstabSum(1)
```

This expression for a computed field in the crosstab returns the sum of the salary totals (the second expression):

```
CrosstabSum(2)
```

The next two examples use a crosstab with two columns (year and quarter), a row (product), and the values expression [Avg\(sales for crosstab\)](#).

This expression for a computed field returns the sum of the quarterly average sales for each year:

```
CrosstabSum(1, 2, "@year")
```

This expression for a computed field returns the sum of all the average sales in the row:

```
CrosstabSum(1)
```

For an example illustrating how the painter automatically defines a crosstab by creating computed fields using the Crosstab functions, see [CrosstabSum](#).

See also

[CrosstabAvg](#)

[CrosstabCount](#)

[CrosstabMax](#)

[CrosstabMin](#)

[CrosstabSumDec](#)

2.4.23 CrosstabSumDec

Description

Calculates the sum of the values returned by an expression in the values list of the crosstab and returns a result with the decimal datatype. When the crosstab definition has more than one column, CrosstabSumDec can also calculate the sum of the expression's values for groups of column values.

For crosstabs only

You can use this function only in a crosstab DataWindow object.

Syntax

```
CrosstabSumDec ( n {, column, groupvalue } )
```

Table 2.26:

Argument	Description
n	The number of the crosstab-values expression for which you want the sum of the returned values. The expression's datatype must be numeric.
column (optional)	The number of the crosstab column as it is listed in the Columns box of the Crosstab Definition dialog box for which you want intermediate calculations.
groupvalue (optional)	A string whose value controls the grouping for the calculation. Groupvalue is usually a value from another column in the crosstab. To specify the current column value in a dynamic crosstab, rather than a specific value, specify @ plus the column name as a quoted string.

Return value

Decimal. Returns the total of the values returned by expression n for all the column values or, optionally, for a subset of column values.

Usage

Use this function instead of CrosstabSum when you want to return a decimal datatype instead of a double datatype. For more information, see [CrosstabSum](#).

See also

[CrosstabAvgDec](#)

[CrosstabMaxDec](#)

[CrosstabMinDec](#)

[Decimal support in DataWindow expressions](#)

2.4.24 CumulativePercent

Description

Calculates the total value of the rows up to and including the current row in the specified column as a percentage of the total value of the column (a running percentage).

Syntax

```
CumulativePercent ( column { FOR range } )
```

Table 2.27:

Argument	Description
column	The column for which you want the cumulative value of the rows up to and including the current row as a percentage of the total value of the column for range. Column can be the column name or the column number preceded by a pound sign (#). Column can also be an expression that includes a reference to the column. The datatype of column must be numeric.
FOR range (optional)	<p>The data that will be included in the cumulative percentage. For most presentation styles, values for range are:</p> <ul style="list-style-type: none"> • ALL -- (Default) The cumulative percentage of all rows in column. • GROUP n -- The cumulative percentage of rows in column in the specified group. Specify the keyword GROUP followed by the group number: for example, GROUP 1. • PAGE -- The cumulative percentage of the rows in column on a page. <p>For Crosstabs, specify CROSSTAB for range:</p> <ul style="list-style-type: none"> • CROSSTAB -- (Crosstabs only) The cumulative percentage of all rows in column in the crosstab. <p>For Graph and OLE objects, specify one of the following:</p> <ul style="list-style-type: none"> • GRAPH -- (Graphs only) The cumulative percentage of values in column in the range specified for the Rows option. • OBJECT -- (OLE objects only) The cumulative percentage of values in column in the range specified for the Rows option.

Return value

Long. Returns the cumulative percentage value.

Usage

If you specify range, CumulativePercent restarts the accumulation at the start of the range.

For graphs and OLE objects, you do not select the range when you call the function. The range has already been determined by the Rows setting on the Data property page (the Range property), and the aggregation function uses that range.

Settings for Rows include the following:

- For the Graph or OLE presentation style, Rows is always All.
- For Graph controls, Rows can be All, Page, or Group.

- For OLE controls, Rows can be All, Current Row, Page, or Group. The available choices depend on the layer the control occupies.

In calculating the percentage, null values are ignored.

Not in validation rules or filter expressions

You cannot use this or other aggregate functions in validation rules or filter expressions.

Using an aggregate function cancels the effect of setting Retrieve Rows As Needed in the painter. To do the aggregation, a DataWindow object always retrieves all rows.

Examples

This expression returns the running percentage for the values that are not null in the column named salary:

```
CumulativePercent(salary)
```

This expression returns the running percentage for the column named salary for the values in group 1 that are not null:

```
CumulativePercent(salary for group 1)
```

This expression entered in the Value box on the Data property page for a graph returns the running percentage for the salary column for the values in the graph that are not null:

```
CumulativePercent(salary for graph)
```

This expression in a crosstab computed field returns the running percentage for the salary column for the values in the crosstab that are not null:

```
CumulativePercent(salary for crosstab)
```

See also

[Percent](#)

[CumulativeSum](#)

2.4.25 CumulativeSum

Description

Calculates the total value of the rows up to and including the current row in the specified column (a running total).

Syntax

```
CumulativeSum ( column { FOR range } )
```

Table 2.28:

Argument	Description
column	The column for which you want the cumulative total value of the rows up to and including the current row for group. Column can be the column name or the column number preceded by a pound sign (#). Column

Argument	Description
	can also be an expression that includes a reference to the column. The datatype of column must be numeric.
FOR range (optional)	<p>The data that will be included in the cumulative sum. For most presentation styles, values for range are:</p> <ul style="list-style-type: none"> • ALL -- (Default) The cumulative sum of all values in column. • GROUP n -- The cumulative sum of values in column in the specified group. Specify the keyword GROUP followed by the group number: for example, GROUP 1. • PAGE -- The cumulative sum of the values in column on a page. <p>For Crosstabs, specify CROSSTAB for range:</p> <ul style="list-style-type: none"> • CROSSTAB -- (Crosstabs only) The cumulative sum of all values in column in the crosstab. <p>For Graph and OLE objects, specify one of the following:</p> <ul style="list-style-type: none"> • GRAPH -- (Graphs only) The cumulative sum of values in column in the range specified for the Rows option. • OBJECT -- (OLE objects only) The cumulative sum of values in column in the range specified for the Rows option.

Return value

The appropriate numeric datatype. Returns the cumulative total value of the rows.

Usage

If you specify range, CumulativeSum restarts the accumulation at the start of the range.

For graphs and OLE objects, you do not select the range when you call the function. The range has already been determined by the Rows setting on the Data property page (the Range property), and the aggregation function uses that range. Settings for Rows include the following:

- For the Graph or OLE presentation style, Rows is always All.
- For Graph controls, Rows can be All, Page, or Group.
- For OLE controls, Rows can be All, Current Row, Page, or Group. The available choices depend on the layer the control occupies.

In calculating the sum, null values are ignored.

Examples

This expression returns the running total for the values that are not null in the column named salary:


```
CumulativeSum(salary)
```

This expression returns the running total for the values that are not null in the column named salary in group 1:

```
CumulativeSum(salary for group 1)
```

This expression entered in the Value box on the Data property page for a graph returns the running total for the salary column for the values in the graph that are not null:

```
CumulativeSum(salary for graph)
```

This expression in a crosstab computed field returns the running total for the salary column for the values in the crosstab that are not null:

```
CumulativeSum(salary for crosstab)
```

See also

[CumulativePercent](#)

2.4.26 CurrentRow

Description

Reports the number of the current row (the row with focus).

Syntax

```
CurrentRow ( )
```

Return value

Long. Returns the number of the row if it succeeds and 0 if no row is current.

What row is current

The current row is not always a row displayed on the screen. For example, if the cursor is on row 7 column 2 and the user uses the scroll bar to scroll to row 50, the current row remains row 7 unless the user clicks row 50.

Examples

This expression in a computed field returns the number of the current row:

```
CurrentRow()
```

This expression for a computed control displays an arrow bitmap as an indicator for the row with focus and displays no bitmap for rows not having focus. As the user moves from row to row, an arrow marks where the user is:

```
Bitmap(If(CurrentRow() = GetRow(), "arrow.bmp", ""))
```

Alternatively, this expression for the Visible property of an arrow picture control makes the arrow bitmap visible for the row with focus and invisible for rows not having focus. As the user moves from row to row, an arrow marks where the user is:

```
If(CurrentRow() = GetRow(), 1, 0)
```

See also

[Example 3: creating a row indicator](#)[GetRow](#)

2.4.27 Date

Description

Converts a string whose value is a valid date to a value of datatype date.

Syntax

```
Date ( string )
```

Table 2.29:

Argument	Description
string	A string containing a valid date (such as Jan 1, 2004, or 12-31-99) that you want returned as a date

Return value

Date. Returns the date in string as a date. If string does not contain a valid date, Date returns null.

Regional Settings

To make sure you get correct return values for the year, you must verify that yyyy is the Short Date Style for year in the Regional Settings of the user's Control Panel. Your program can check this with the RegistryGet function.

If the setting is not correct, you can ask the user to change it manually or to have the application change it (by calling the RegistrySet function). The user might need to reboot after the setting is changed.

Usage

The value of the string must be a valid date.

Valid dates

Valid dates can include any combination of day (1-31), month (1-12 or the name or abbreviation of a month), and year (two or four digits). Leading zeros are optional for month and day. If the month is a name or an abbreviation, it can come before or after the day; if it is a number, it must be in the month location specified in the Windows control panel. A 4-digit number is assumed to be a year.

If the year is two digits, the assumption of century follows this rule: for years between 00 and 49, the first two digits are assumed to be 20; for years between 50 and 99, the first two digits are assumed to be 19. If your data includes dates before 1950, such as birth dates, always specify a four-digit year to ensure the correct interpretation.

The function handles years from 1000 to 3000 inclusive.

An expression has a more limited set of datatypes than the functions that can be part of the expression. Although the Date function returns a date value, the whole expression is promoted to a DateTime value. Therefore, if your expression consists of a single Date

function, it will appear that Date returns the wrong datatype. To display the date without the time, choose an appropriate display format. (See [Using DataWindow expression functions.](#))

Examples

These expressions all return the date datatype for July 4, 2004 when the default location of the month in Regional Settings is center:

```
Date("2004/07/04")
Date("2004 July 4")
Date("July 4, 2004")
```

See also

[IsDate](#)

Date in Section 2.4.105, “Date” in *PowerScript Reference*

2.4.28 DateTime

Description

Combines a date and a time value into a DateTime value.

Syntax

```
DateTime ( date {, time } )
```

Table 2.30:

Argument	Description
date	A valid date (such as Jan 1, 2005, or 12-31-99) or a blob variable whose first value is a date that you want included in the value returned by DateTime.
time (optional)	A valid time (such as 8am or 10:25:23:456799) or a blob variable whose first value is a time that you want included in the value returned by DateTime. If you include a time, only the hour portion is required. If you omit the minutes, seconds, or microseconds, they are assumed to be zeros. If you omit am or pm, the hour is determined according to the 24-hour clock.

Return value

DateTime. Returns a DateTime value based on the values in date and optionally time. If time is omitted, DateTime uses 00:00:00.000000 (midnight).

Usage

To display microseconds in a time, the display format for the field must include microseconds.

For information on valid dates, see [Date](#).

Examples

This expression returns the values in the order_date and order_time columns as a DateTime value that can be used to update the database:

```
DateTime(Order_Date, Order_Time)
```

Using this expression for a computed field displays 11/11/01 11:11:00:

```
DateTime(11/11/01, 11:11)
```

See also

[Date](#)

[Time](#)

DateTime in Section 2.4.106, “DateTime” in *PowerScript Reference*

2.4.29 Day

Description

Obtains the day of the month in a date (or datetime) value.

Syntax

```
Day ( date | datetime )
```

Table 2.31:

Argument	Description
date or datetime	The date or datetime for which you want the day

Return value

Integer. Returns an integer (1-31) representing the day of the month in date.

Examples

This expression returns 31:

```
Day(2020-01-31)
```

This expression returns the day of the month in the start_date column:

```
Day(start_date)
```

The following expressions return the day of the month for today:

```
Day(today())
```

```
Day(datetime(today(),now()))
```

See also

[Date](#)

[IsDate](#)

[Month](#)

[Year](#)

Day in Section 2.4.107, “Day” in *PowerScript Reference*

2.4.30 DayName

Description

Gets the day of the week in a date (or datetime) value and returns the weekday's name.

Syntax

```
DayName ( date | datetime )
```

Table 2.32:

Argument	Description
date or datetime	The date or datetime for which you want the name of the day

Return value

String. Returns a string whose value is the name of the weekday (Sunday, Monday, and so on) for date.

Usage

DayName returns a name in the language of the deployment files available on the machine where the application is run. If you have installed localized deployment files in the development environment or on a user's machine, then on that machine the name returned by DayName will be in the language of the localized files.

For information about localized deployment files, see Section 8.1, “Internationalizing an Application” in *Application Techniques*.

Examples

This expression for a computed field returns Okay if the day in date_signed is not Sunday:

```
If(DayName(date_signed) <> "Sunday", "Okay", "Invalid Date")
```

To pass this validation rule, the day of today must not be Sunday:

```
DayName(datetime(today(),now())) <> "Sunday"
```

Or

```
DayName(today()) <> "Sunday" //today returns datetime if it is a DataWindow function
```

See also

[Date](#)

[Day](#)

[DayNumber](#)

[IsDate](#)

DayName in Section 2.4.108, “DayName” in *PowerScript Reference*

2.4.31 DayNumber

Description

Gets the day of the week of a date value and returns the number of the weekday.

Syntax

```
DayNumber ( date )
```

Table 2.33:

Argument	Description
date	The date from which you want the number of the day of the week

Return value

Integer. Returns an integer (1-7) representing the day of the week of date. Sunday is day 1, Monday is day 2, and so on.

Examples

This expression for a computed field returns Wrong Day if the date in start_date is not a Sunday or a Monday:

```
If(DayNumber(start_date) > 2, "Okay", "Wrong Day")
```

This expression for a computed field returns Wrong Day if the date in end_date is not a Saturday or a Sunday:

```
If(DayNumber(end_date) > 1 and DayNumber(end_date) < 7, "Okay", "Wrong Day")
```

This validation rule for the column end_date ensures that the day is not a Saturday or Sunday:

```
DayNumber(end_date) >1 and DayNumber(end_date) < 7
```

See also

[Date](#)

[Day](#)

[DayName](#)

[IsDate](#)

DayNumber in Section 2.4.109, “DayNumber” in *PowerScript Reference*

2.4.32 DaysAfter**Description**

Gets the number of days one date occurs after another.

Syntax

```
DaysAfter ( date1, date2 )
```

Table 2.34:

Argument	Description
date1	A date value that is the start date of the interval being measured
date2	A date value that is the end date of the interval

Return value

Long. Returns a long containing the number of days date2 occurs after date1. If date2 occurs before date1, DaysAfter returns a negative number.

Examples

This expression returns 4:

```
DaysAfter(2005-12-20, 2005-12-24)
```

This expression returns -4:

```
DaysAfter(2005-12-24, 2005-12-20)
```

This expression returns 0:

```
DaysAfter(2005-12-24, 2005-12-24)
```

This expression returns 5:

```
DaysAfter(2004-12-29, 2005-01-03)
```

See also

[Date](#)

[SecondsAfter](#)

DaysAfter in Section 2.4.110, “DaysAfter” in *PowerScript Reference*

2.4.33 Dec

Description

Converts the value of a string to a decimal.

Syntax

```
Dec ( string )
```

Table 2.35:

Argument	Description
string	The string you want returned as a decimal

Return value

Decimal. Returns the contents of string as a decimal if it succeeds and 0 if string is not a number.

Usage

The decimal datatype supports up to 28 digits.

You can also append the letter D in upper or lowercase to identify a number as a decimal constant in DataWindow expressions. For example, 2.0d and 123.456789012345678901D are treated as decimals.

Examples

This expression returns the string 24.3 as a decimal datatype:

```
Dec( "24.3" )
```

This expression for a computed field returns "Not a valid score" if the string in the score column does not contain a number. The expression checks whether the Dec function returns 0, which means it failed to convert the value:

```
If ( Dec(score) <> 0, score, "Not a valid score" )
```

This expression returns 0:

```
Dec("3ABC") // 3ABC is not a number
```

This validation rule checks that the value in the column the user entered is greater than 1999.99:

```
Dec(GetText()) > 1999.99
```

This validation rule for the column named score insures that score contains a string:

```
Dec(score) <> 0
```

See also

Dec in Section 2.4.113, “Dec” in *PowerScript Reference*

[Decimal support in DataWindow expressions](#)

2.4.34 Describe

Description

Reports the values of properties of a DataWindow object and controls within the object. Each column and graphic control in the DataWindow object has a set of properties, which are listed in [Controls in a DataWindow and their properties](#). You specify one or more properties as a string and Describe returns the values of the properties.

Syntax

```
Describe ( propertylist )
```

Table 2.36:

Argument	Description
propertylist	A string whose value is a blank-separated list of properties or Evaluate functions. For a list of valid properties, see Controls in a DataWindow and their properties .

Return value

String. Returns a string that includes a value for each property or Evaluate function. A new line character (~n) separates the value of each item in propertylist.

If propertylist contains an invalid item, Describe returns an exclamation point (!) for that item and ignores the rest of propertylist. Describe returns a question mark (?) if there is no value for a property.

Usage

Specifying the values for propertylist can be complex. For information and examples, see the [Describe](#) method for the DataWindow control.

Examples

This expression for a computed field in the header band of a DataWindow object displays the DataWindow object's SELECT statement:


```
Describe("DataWindow.Table.Select")
```

See also

[Describe](#)

2.4.35 Exp**Description**

Raises e to the specified power.

Syntax

```
Exp ( n )
```

Table 2.37:

Argument	Description
n	The power to which you want to raise e (2.71828)

Return value

Double. Returns e raised to the power n.

Examples

This expression returns 7.38905609893065:

```
Exp ( 2 )
```

See also

[Log](#)

[LogTen](#)

Exp in Section 2.4.158, “Exp” in *PowerScript Reference*

2.4.36 Fact**Description**

Gets the factorial of a number.

Syntax

```
Fact ( n )
```

Table 2.38:

Argument	Description
n	The number for which you want the factorial

Return value

Double. Returns the factorial of n.

Examples

This expression returns 24:

```
Fact ( 4 )
```

Both these expressions return 1:

```
Fact(1)
Fact(0)
```

See also

Fact in Section 2.4.166, “Fact” in *PowerScript Reference*

2.4.37 Fill

Description

Builds a string of the specified length by repeating the specified characters until the result string is long enough.

Syntax

```
Fill ( chars, n )
```

Table 2.39:

Argument	Description
chars	A string whose value will be repeated to fill the return string
n	A long whose value is the number of characters in the string you want returned

Return value

String. Returns a string n characters long filled with repetitions of the characters in the argument chars. If the argument chars has more than n characters, the first n characters of chars are used to fill the return string. If the argument chars has fewer than n characters, the characters in chars are repeated until the return string has n characters.

Usage

Fill is used to create a line or other special effect. For example, asterisks repeated in a printed report can fill an amount line, or hyphens can simulate a total line in a screen display.

Examples

This expression returns a string containing 35 asterisks:

```
Fill("*", 35)
```

This expression returns the string -+--+--:

```
Fill("-+", 7)
```

This expression returns 10 tildes (~):

```
Fill("~~", 10)
```

See also

[FillA](#)

[Space](#)

Fill in Section 2.4.182, “Fill” in *PowerScript Reference*

2.4.38 FillA

Description

Builds a string of the specified length in bytes by repeating the specified characters until the result string is long enough.

Syntax

```
FillA ( chars, n )
```

Table 2.40:

Argument	Description
chars	A string whose value will be repeated to fill the return string
n	A long whose value is the number of bytes in the string you want returned

Return value

String. Returns a string n bytes long filled with repetitions of the characters in the argument chars. If the argument chars has more than n bytes, the first n bytes of chars are used to fill the return string. If the argument chars has fewer than n bytes, the characters in chars are repeated until the return string has n bytes.

Usage

FillA replaces the functionality that Fill had in DBCS environments in PowerBuilder 9. In SBCS environments, Fill and FillA return the same results.

See also

[Fill](#)

FillA in Section 2.4.183, “FillA” in *PowerScript Reference*

2.4.39 First

Description

Reports the value in the first row in the specified column.

Syntax

```
First ( column { FOR range { DISTINCT { expresn { , expres2 { , ... } } } } } )
```

Table 2.41:

Argument	Description
column	The column for which you want the value of the first row. Column can be a column name or a column number preceded by a pound sign (#). Column can also be an expression that includes a reference to the column.
FOR range (optional)	The data that will be included when the value in the first row is found. Values for range depend on the presentation style. See the Usage section for more information.

Argument	Description
DISTINCT (optional)	Causes First to consider only the distinct values in column when determining the first value. For a value of column, the first row found with the value is used and other rows that have the same value are ignored.
expressn (optional)	One or more expressions that you want to evaluate to determine distinct rows. Expressn can be the name of a column, a function, or an expression.

Return value

The datatype of the column. Returns the value in the first row of column. If you specify range, First returns the value of the first row in column in range.

Usage

If you specify range, First determines the value of the first row in column in range. If you specify DISTINCT, First returns the first distinct value in column, or if you specify expressn, the first distinct value in column where the value of expressn is distinct.

For most presentation styles, values for range are:

- ALL -- (Default) The value in the first of all rows in column.
- GROUP n -- The value in the first of rows in column in the specified group. Specify the keyword GROUP followed by the group number: for example, GROUP 1.
- PAGE -- The value in the first of the rows in column on a page.

For Crosstabs, specify CROSSTAB for range to indicate the first of all rows in column in the crosstab.

For Graphs specify GRAPH and for OLE objects specify OBJECT for range, to indicate the value in the first row in column in the range specified for the Rows option.

For graphs and OLE objects, you do not select the range when you call the function. The range has already been determined by the Rows setting on the Data property page (the Range property), and the aggregation function uses that range. Settings for Rows include the following:

- For the Graph or OLE presentation style, Rows is always All.
- For Graph controls, Rows can be All, Page, or Group.
- For OLE controls, Rows can be All, Current Row, Page, or Group. The available choices depend on the layer the control occupies.

Not in validation rules or filter expressions

You cannot use this or other aggregate functions in validation rules or filter expressions.

Using an aggregate function cancels the effect of setting Retrieve Rows As Needed in the painter. To do the aggregation, a DataWindow object always retrieves all rows.

Examples

This expression returns the first value in column 3 on the page:

```
First(#3 for page)
```

This expression returns the first distinct value in the column named dept_id in group 2:

```
First(dept_id for group 2 DISTINCT)
```

This expression returns the first value in the column named dept_id in group 2:

```
First(dept_id for group 2)
```

See also

[Last](#)

2.4.40 FontHeight

Description

Allows you to find the height of the font for a column or computed field. This function takes the column name as an argument. Use this function to set the minimum height to the size of the font.

Syntax

```
FontHeight ( column )
```

Table 2.42:

Argument	Description
column	The column for which you want to find the font height. Column can be a column name or a column number preceded by a pound sign (#). Column can also be an expression that includes a reference to the column.

Return value

Long. Returns the height of the font for the column:

56 -- font size: 9

64 -- font size: 10

72 -- font size: 11

76 -- font size: 12

Example

```
dw_1.object.fname.Height = "0~tFontHeight(fname)"
```

2.4.41 GetPaintDC

Description

Returns the GDI context to which to draw.

Syntax

```
GetPaintDC ( )
```

Return value

UnsignedLong.

Usage

The clip region of the GDI context is guaranteed to be the same as the rectangle defined by `GetPaintRectHeight`, `GetPaintRectWidth`, `GetPaintRectX`, and `GetPaintRectY`.

You can also use the `GetClipBox` GDI function. You can compute the bounds inside the global rendering function itself.

The `GetPaintDC` expression is only valid in the context of the `Paint` expression function.

Examples

This example draws a cube with the text of the column `emp_lname`.

```
Paint
(
    MyDrawWPFCText
    (
        GetPaintDC(),
        GetPaintRectX(),
        GetPaintRectY(),
        GetPaintRectWidth(),
        GetPaintRectHeight(),
        emp_lname,
        GetRow()
    )
)
```

See also

[GetPaintRectHeight](#)

[GetPaintRectWidth](#)

[GetPaintRectX](#)

[GetPaintRectY](#)

[Paint](#)

2.4.42 GetPaintRectHeight

Description

Returns the bounds of the computed field and the device context is clipped within those bounds. This expression is only valid in the context of the `Paint` expression function.

Syntax

```
GetPaintRectHeight ( )
```

Return value

Integer. Returns the height bounds for the computed field.

See also

[GetPaintDC](#)

[GetPaintRectWidth](#)

[GetPaintRectX](#)[GetPaintRectY](#)[Paint](#)

2.4.43 GetPaintRectWidth

Description

Returns the bounds of the computed field and the device context is clipped within those bounds. This expression is only valid in the context of the Paint expression function.

Syntax

```
GetPaintRectWidth ( )
```

Return value

Integer. Returns the width bounds for the computed field.

See also

[GetPaintDC](#)[GetPaintRectHeight](#)[GetPaintRectX](#)[GetPaintRectY](#)[Paint](#)

2.4.44 GetPaintRectX

Description

Returns the bounds of the computed field and the device context is clipped within those bounds. This expression is only valid in the context of the Paint expression function.

Syntax

```
GetPaintRectX ( )
```

Return value

Integer. Returns the X bound for the computed field.

See also

[GetPaintDC](#)[GetPaintRectHeight](#)[GetPaintRectWidth](#)[GetPaintRectY](#)[Paint](#)

2.4.45 GetPaintRectY

Description

Returns the bounds of the computed field and the device context is clipped within those bounds. This expression is only valid in the context of the Paint expression function.

Syntax

```
GetPaintRectY ( )
```

Return value

Integer. Returns the Y bound for the computed field.

See also

[GetPaintDC](#)

[GetPaintRectHeight](#)

[GetPaintRectWidth](#)

[GetPaintRectX](#)

2.4.46 GetRow

Description

Reports the number of a row associated with a band in a DataWindow object.

Syntax

```
GetRow ( )
```

Return value

Long. Returns the number of a row if it succeeds, 0 if no data has been retrieved or added, and -1 if an error occurs. Where you call GetRow determines what row it returns, as follows:

Table 2.43:

If the control in the DataWindow object is in this band	GetRow returns
Header	First row on the page
Group header	First row in the group
Detail	The row in which the expression occurs
Group trailer	Last row in the group
Summary	Last row in the DataWindow object
Footer	Last row on the page

Examples

This expression for a computed field in the detail band displays the number of each row:

```
GetRow( )
```

This expression for a computed field in the header band checks to see if there is data. It returns the number of the first row on the page if there is data, and otherwise returns No Data:

```
If(GetRow()= 0, "No Data", String(GetRow()))
```

See also

[Example 3: creating a row indicator](#)[CurrentRow](#)[GetRow](#)

2.4.47 GetText

Description

Obtains the text that a user has entered in a column.

Syntax

```
GetText ( )
```

Return value

String. Returns the text the user has entered in the current column.

Usage

Use GetText in validation rules to compare what the user has entered to application-defined criteria before it is accepted into the data buffer.

Examples

This validation rule checks that the value the user entered in the column is less than 100:

```
Integer(GetText()) < 100
```

See also

[GetText](#)

2.4.48 Hour

Description

Obtains the hour in a time value. The hour is based on a 24-hour clock.

Syntax

```
Hour ( time )
```

Table 2.44:

Argument	Description
time	The time value from which you want the hour

Return value

Integer. Returns an integer (00-23) containing the hour portion of time.

Examples

This expression returns the current hour:

```
Hour(Now())
```

This expression returns 19:

```
Hour(19:01:31)
```

See also[Minute](#)[Now](#)[Second](#)Hour in Section 2.4.370, “Hour” in *PowerScript Reference***2.4.49 If****Description**

Evaluates a condition and returns a value based on that condition.

Syntax

```
If ( boolean, truevalue, falsevalue )
```

Table 2.45:

Argument	Description
boolean	A boolean expression that evaluates to true or false.
truevalue	The value you want returned if the boolean expression is true. The value can be a string or numeric value.
falsevalue	The value you want returned if the boolean expression is false. The value can be a string or numeric value.

Return value

The datatype of truevalue or falsevalue. Returns truevalue if boolean is true and falsevalue if it is false. Returns null if an error occurs.

Examples

This expression returns Boss if salary is over \$100,000 and Employee if salary is less than or equal to \$100,000:

```
If(salary > 100000, "Boss", "Employee")
```

This expression returns Boss if salary is over \$100,000, Supervisor if salary is between \$12,000 and \$100,000, and Clerk if salary is less than or equal to \$12,000:

```
If(salary > 100000, "Boss", If(salary > 12000, "Supervisor", "Clerk"))
```

In this example of a validation rule, the value the user should enter in the commission column depends on the price. If price is greater than or equal to 1000, then the commission is between .10 and .20. If price is less than 1000, then the commission must be between .04 and .09. The validation rule is:

```
(Number(GetText()) >= If(price >=1000, .10, .04)) AND  
(Number(GetText()) <= If(price >= 1000, .20, .09))
```

The accompanying error message expression might be:

```
"Price is "  
+ If(price >= 1000, "greater than or equal to", "less than")  
+ " 1000. Commission must be between "  
+ If(price >= 1000, ".10", ".04")
```

```
+ " and "  
+ If(price >= 1000, ".20.", ".09.")
```

See also[Example 1: counting null values in a column](#)[Example 2: counting active and terminated employees](#)[Example 3: creating a row indicator](#)[Example 4: displaying all data when a column allows nulls](#)[Case](#)**2.4.50 Int****Description**

Gets the largest whole number less than or equal to a number.

Syntax

```
Int ( n )
```

Table 2.46:

Argument	Description
n	The number for which you want the largest whole number that is less than or equal to it

Return value

The datatype of n. Returns the largest whole number less than or equal to n.

Examples

These expressions return 3.0:

```
Int(3.2)
```

```
Int(3.8)
```

These expressions return -4.0:

```
Int(-3.2)
```

```
Int(-3.8)
```

See also[Ceiling](#)[Integer](#)[Round](#)[Truncate](#)

Int in Section 2.4.431, “Int” in *PowerScript Reference*

2.4.51 Integer**Description**

Converts the value of a string to an integer.

Syntax

```
Integer ( string )
```

Table 2.47:

Argument	Description
string	The string you want returned as an integer

Return value

Integer. Returns the contents of string as an integer if it succeeds and 0 if string is not a number.

Examples

This expression converts the string 24 to an integer:

```
Integer("24")
```

This expression for a computed field returns "Not a valid age" if age does not contain a number. The expression checks whether the Integer function returns 0, which means it failed to convert the value:

```
If (Integer(age) <> 0, age, "Not a valid age")
```

This expression returns 0:

```
Integer("3ABC") // 3ABC is not a number
```

This validation rule checks that the value in the column the user entered is less than 100:

```
Integer(GetText()) < 100
```

This validation rule for the column named age insures that age contains a string:

```
Integer(age) <> 0
```

See also

[IsNumber](#)

Integer in Section 2.4.432, "Integer" in *PowerScript Reference*

2.4.52 IsDate

Description

Tests whether a string value is a valid date.

Syntax

```
IsDate ( datevalue )
```

Table 2.48:

Argument	Description
datevalue	A string whose value you want to test to determine whether it is a valid date

Return value

Boolean. Returns true if datevalue is a valid date and false if it is not.

Examples

This expression returns true:

```
IsDate("Jan 1, 99")
```

This expression returns false:

```
IsDate("Jan 32, 2005")
```

This expression for a computed field returns a day number or 0. If the date_received column contains a valid date, the expression returns the number of the day in date_received in the computed field, and otherwise returns 0:

```
If(IsDate(String(date_received)), DayNumber(date_received), 0)
```

See also

IsDate in Section 2.4.446, "IsDate" in *PowerScript Reference*

2.4.53 IsExpanded**Description**

Tests whether a node in a TreeView DataWindow with the specified TreeView level and that includes the specified row is expanded.

Syntax

```
IsExpanded(long row, long level)
```

Table 2.49:

Argument	Description
row	The number of the row that belongs to the node
level	The TreeView level of the node

Return value

Returns true if the group is expanded and false otherwise.

Usage

A TreeView DataWindow has several TreeView level bands that can be expanded and collapsed. You can use the IsExpanded function to test whether or not a node in a TreeView DataWindow is expanded.

Examples

This expression returns true if the node that contains row 3 at TreeView level 2 is expanded:

```
IsExpanded(3, 2)
```

2.4.54 IsNull**Description**

Reports whether the value of a column or expression is null.

Syntax

```
IsNull ( any )
```

Table 2.50:

Argument	Description
any	A column or expression that you want to test to determine whether its value is null

Return value

Boolean. Returns true if any is null and false if it is not.

Usage

Use IsNull to test whether a user-entered value or a value retrieved from the database is null.

Examples

This expression returns true if either a or b is null:

```
IsNull(a + b)
```

This expression returns true if the value in the salary column is null:

```
IsNull(salary)
```

This expression returns true if the value the user has entered is null:

```
IsNull(GetText())
```

See also

[Example 1: counting null values in a column](#)

[Example 4: displaying all data when a column allows nulls](#)

IsNull in Section 2.4.452, “IsNull” in *PowerScript Reference*

2.4.55 IsNumber

Description

Reports whether the value of a string is a number.

Syntax

```
IsNumber ( string )
```

Table 2.51:

Argument	Description
string	A string whose value you want to test to determine whether it is a valid number

Return value

Boolean. Returns true if string is a valid number and false if it is not.

Examples

This expression returns true:

```
IsNumber("32.65")
```

This expression returns false:

```
IsNumber("A16")
```

This expression for a computed field returns "Not a valid age" if age does not contain a number:

```
If(IsNumber(age), age, "Not a valid age")
```

To pass this validation rule, Age_nbr must be a number:

```
IsNumber(Age_nbr) = true
```

See also

[Integer](#)

IsNumber in Section 2.4.453, "IsNumber" in *PowerScript Reference*

2.4.56 IsRowModified

Description

Reports whether the row has been modified.

Syntax

```
IsRowModified ( )
```

Return value

Boolean. Returns true if the row has been modified and false if it has not.

Usage

In a DataWindow object, when you use IsRowModified in bands other than the detail band, it reports on a row in the detail band. See [GetRow](#) for a table specifying which row is associated with each band for reporting purposes.

Examples

This expression in a computed field in the detail area displays true or false to indicate whether each row has been modified:

```
IsRowModified()
```

This expression defined in the Properties view for the Color property of the computed field displays the text (true) in red if the user has modified any value in the row:

```
If(IsRowModified(), 255, 0)
```

See also

[GetRow](#)

2.4.57 IsRowNew

Description

Reports whether the row has been newly inserted.

Syntax

```
IsRowNew ( )
```

Return value

Boolean. Returns true if the row is new and false if it was retrieved from the database.

Usage

In a DataWindow object, when you call IsRowNew in bands other than the detail band, it reports on a row in the detail band. See [GetRow](#) for a table specifying which row is associated with each band for reporting purposes.

Examples

This expression defined in the Properties view for the Protect property of a column prevents the user from modifying the column unless the row has been newly inserted:

```
If(IsRowNew(), 0, 1)
```

See also

[GetRow](#)

[GetItemStatus](#)

2.4.58 IsSelected

Description

Determines whether the row is selected. A selected row is highlighted using reverse video.

Syntax

```
IsSelected ( )
```

Return value

Boolean. Returns true if the row is selected and false if it is not selected.

Usage

When you use IsSelected in bands other than the detail band, it reports on a row in the detail band. See [GetRow](#) for a table specifying which row is associated with each band for reporting purposes.

Examples

This expression for a computed field in the detail area displays a bitmap if the row is selected:

```
Bitmap(If(IsSelected(), "beach.bmp", ""))
```

This example allows the DataWindow object to display a salary total for all the selected rows. The expression for a computed field in the detail band returns the salary only when the row

is selected so that another computed field in the summary band can add up all the selected salaries.

The expression for `cf_selected_salary` (the computed field in the detail band) is:

```
If(IsSelected(), salary, 0)
```

The expression for the computed field in the summary band is:

```
Sum(cf_selected_salary for all)
```

See also

[GetRow](#)

[IsSelected](#)

2.4.59 IsTime

Description

Reports whether the value of a string is a valid time value.

Syntax

```
IsTime ( timevalue )
```

Table 2.52:

Argument	Description
timevalue	A string whose value you want to test to determine whether it is a valid time

Return value

Boolean. Returns true if timevalue is a valid time and false if it is not.

Examples

This expression returns true:

```
IsTime("8:00:00 am")
```

This expression returns false:

```
IsTime("25:00")
```

To pass this validation rule, the value in `start_time` must be a time:

```
IsTime(start_time)
```

See also

IsTime in Section 2.4.458, “IsTime” in *PowerScript Reference*

2.4.60 Large

Description

Finds a large value at a specified ranking in a column (for example, third- largest, fifth- largest) and returns the value of another column or expression based on the result.

Syntax

```
Large ( returnexp, column, ntop { FOR range { DISTINCT { expres1
{, expres2 {, ... } } } } )
```

Table 2.53:

Argument	Description
returnexp	The value you want returned when the large value is found. Returnexp includes a reference to a column, but not necessarily the column that is being evaluated for the largest value, so that a value is returned from the same row that contains the large value.
column	The column that contains the large value you are searching for. Column can be a column name or a column number preceded by a pound sign (#). Column can also be an expression that includes a reference to the column. The datatype of column must be numeric.
ntop	The ranking of the large value in relation to the column's largest value. For example, when ntop is 2, Large finds the second-largest value.
FOR range (optional)	<p>The data that will be included when the largest value is found. For most presentation styles, values for range are:</p> <ul style="list-style-type: none"> • ALL -- (Default) The largest of all values in column. • GROUP n -- The largest of values in column in the specified group. Specify the keyword GROUP followed by the group number: for example, GROUP 1. • PAGE -- The largest of the values in column on a page. <p>For Crosstabs, specify CROSSTAB for range:</p> <ul style="list-style-type: none"> • CROSSTAB -- (Crosstabs only) The largest of all values in column in the crosstab. <p>For Graph and OLE objects, specify one of the following:</p> <ul style="list-style-type: none"> • GRAPH -- (Graphs only) The largest of values in column in the range specified for the Rows option. • OBJECT -- (OLE objects only) The largest of values in column in the range specified for the Rows option.
DISTINCT (optional)	Causes Large to consider only the distinct values in column when determining the large value. For a value of column, the first row found with the value is used and other rows that have the same value are ignored.
expressn (optional)	One or more expressions that you need to evaluate to determine distinct rows. Expressn can be the name of a column, a function, or an expression.

Return value

The datatype of returnexp. Returns the ntop-largest value if it succeeds and -1 if an error occurs.

Usage

If you specify range, Large returns the value in returnexp when the value in column is the ntop-largest value in range. If you specify DISTINCT, Large returns returnexp when the value in column is the ntop-largest value of the distinct values in column, or if you specify expresn, the ntop-largest for each distinct value of expresn.

For graphs and OLE objects, you do not select the range when you call the function. The range has already been determined by the Rows setting on the Data property page (the Range property), and the aggregation function uses that range. Settings for Rows are as follows:

- For the Graph or OLE presentation style, Rows is always All
- For Graph controls, Rows can be All, Page, or Group
- For OLE controls, Rows can be All, Current Row, Page, or Group. The available choices depend on the layer the control occupies

Max might be faster

If you do not need a return value from another column and you want to find the largest value (ntop = 1), use Max; it is faster.

You cannot use this or other aggregate functions in validation rules or filter expressions.

Using an aggregate function cancels the effect of setting Retrieve Rows As Needed in the painter. To do the aggregation, a DataWindow object always retrieves all rows.

Examples

These expressions return the names of the salespersons with the three largest sales (sum_sales is the sum of the sales for each salesperson) in group 2, which might be the salesregion group. Note that sum_sales contains the values being compared, but Large returns a value in the name column:

```
Large(name, sum_sales, 1 for group 2)
Large(name, sum_sales, 2 for group 2)
Large(name, sum_sales, 3 for group 2)
```

This example reports the salesperson with the third-largest sales, considering only the first entry for each person:

```
Large(name, sum_sales, 3 for all DISTINCT sum_sales)
```

See also

[Small](#)

2.4.61 Last

Description

Gets the value in the last row in the specified column.

Syntax

```
Last ( column { FOR range { DISTINCT { expres1 { , expres2 { , ... } } } } } )
```

Table 2.54:

Argument	Description
column	The column for which you want the value of the last row. Column can be a column name or a column number preceded by a pound sign (#). Column can also be an expression that includes a reference to the column.
FOR range (optional)	<p>The data that will be included when the value in the last row is found. For most presentation styles, values for range are:</p> <ul style="list-style-type: none"> • ALL -- (Default) The value in the last of all rows in column. • GROUP n -- The value in the last row in column in the specified group. Specify the keyword GROUP followed by the group number: for example, GROUP 1. • PAGE -- The value in the last row in column on a page. <p>For Crosstabs, specify CROSSTAB for range:</p> <ul style="list-style-type: none"> • CROSSTAB -- (Crosstabs only) The value in the last row in column in the crosstab. <p>For Graph and OLE objects, specify one of the following:</p> <ul style="list-style-type: none"> • GRAPH -- (Graphs only) The value in the last row in column in the range specified for the Rows option. • OBJECT -- (OLE objects only) The value in the last row in column in the range specified for the Rows option.
DISTINCT (optional)	Causes Last to consider only the distinct values in column when determining the last value. For a value of column, the first row found with the value is used and other rows that have the same value are ignored.
expressn (optional)	One or more expressions that you want to evaluate to determine distinct rows. Expressn can be the name of a column, a function, or an expression.

Return value

The datatype of the column. Returns the value in the last row of column. If you specify range, Last returns the value of the last row in column in range.

Usage

If you specify range, Last determines the value of the last row in column in range. If you specify DISTINCT, Last returns the last distinct value in column, or if you specify expressn, the last distinct value in column where the value of expressn is distinct.

For graphs and OLE objects, you do not select the range when you call the function. The range has already been determined by the Rows setting on the Data property page (the Range property), and the aggregation function uses that range. Settings for Rows include the following:

- For the Graph or OLE presentation style, Rows is always All.
- For Graph controls, Rows can be All, Page, or Group.
- For OLE controls, Rows can be All, Current Row, Page, or Group. The available choices depend on the layer the control occupies.

Not in validation rules or filter expressions

You cannot use this or other aggregate functions in validation rules or filter expressions.

Using an aggregate function cancels the effect of setting Retrieve Rows As Needed in the painter. To do the aggregation, a DataWindow object always retrieves all rows.

Examples

This expression returns the last distinct value in the column named dept_id in group 2:

```
Last(dept_id for group 2 DISTINCT)
```

This expression returns the last value in the column named emp_id in group 2:

```
Last(emp_id for group 2)
```

See also

[First](#)

2.4.62 LastPos

Description

Finds the last position of a target string in a source string.

Syntax

```
LastPos ( string1, string2, searchlength )
```

Table 2.55:

Argument	Description
string1	The string in which you want to find string2.
string2	The string you want to find in string1.
searchlength (optional)	A long that limits the search to the leftmost searchlength characters of the source string string1. The default is the entire string.

Return value

Long. Returns a long whose value is the starting position of the last occurrence of string2 in string1 within the characters specified in searchlength. If string2 is not found in string1 or if searchlength is 0, LastPos returns 0. If any argument's value is null, LastPos returns null.

Usage

The LastPos function is case-sensitive. The entire target string must be found in the source string.

Examples

This statement returns 6, because the position of the last occurrence of RU is position 6:

```
LastPos("BABE RUTH", "RU")
```

This statement returns 3:

```
LastPos("BABE RUTH", "B")
```

This statement returns 0, because the case does not match:

```
LastPos("BABE RUTH", "be")
```

This statement searches the leftmost 4 characters and returns 0, because the only occurrence of RU is after position 4:

```
LastPos("BABE RUTH", "RU", 2)
```

See also

[Pos](#)

2.4.63 Left

Description

Obtains a specified number of characters from the beginning of a string.

Syntax

```
Left ( string, n )
```

Table 2.56:

Argument	Description
string	The string containing the characters you want
n	A long specifying the number of characters you want

Return value

String. Returns the leftmost n characters in string if it succeeds and the empty string ("") if an error occurs.

If n is greater than or equal to the length of the string, Left returns the entire string. It does not add spaces to make the return value's length equal to n.

Examples

This expression returns BABE:

```
Left("BABE RUTH", 4)
```

This expression returns BABE RUTH:

```
Left("BABE RUTH", 40)
```

This expression for a computed field returns the first 40 characters of the text in the column home_address:

```
Left(home_address, 40)
```

See also[LeftA](#)[Mid](#)[Pos](#)[Right](#)

Left in Part I, “PowerScript Reference”

2.4.64 LeftA**Description**

Obtains a specified number of bytes from the beginning of a string.

Syntax

```
LeftA ( string, n )
```

Table 2.57:

Argument	Description
string	The string containing the characters you want
n	A long specifying the number of bytes you want

Return value

String. Returns the characters in the leftmost n bytes in string if it succeeds and the empty string ("") if an error occurs.

If n is greater than or equal to the length of the string, LeftA returns the entire string. It does not add spaces to make the return value's length equal to n.

Usage

LeftA replaces the functionality that Left had in DBCS environments in PowerBuilder 9. In SBCS environments, Left and LeftA return the same results.

See also[MidA](#)[PosA](#)[RightA](#)

LeftA in Part I, “PowerScript Reference”

2.4.65 LeftTrim**Description**

Removes spaces from the beginning of a string.

Syntax

```
LeftTrim ( string )
```

Table 2.58:

Argument	Description
string	The string you want returned with leading spaces deleted

Return value

String. Returns a copy of string with leading spaces deleted if it succeeds and the empty string ("") if an error occurs.

Examples

This expression returns RUTH:

```
LeftTrim(" RUTH")
```

This expression for a computed field deletes any leading blanks from the value in the column lname and returns the value preceded by the salutation specified in salut_emp:

```
salut_emp + " " + LeftTrim(lname)
```

See also

[RightTrim](#)

[Trim](#)

LeftTrim in Section 2.4.467, “LeftTrim” in *PowerScript Reference*

2.4.66 Len**Description**

Reports the length of a string in characters.

Syntax

```
Len ( string )
```

Table 2.59:

Argument	Description
string	The string for which you want the length

Return value

Long. Returns a long containing the length of string in characters if it succeeds and -1 if an error occurs.

Examples

This expression returns 0:

```
Len(" ")
```

This validation rule tests that the value the user entered is fewer than 20 characters:

```
Len(GetText()) < 20
```

See also

[LenA](#)

Len in Section 2.4.469, “Len” in *PowerScript Reference*

2.4.67 LenA

Description

Reports the length of a string in bytes.

Syntax

```
LenA ( string )
```

Table 2.60:

Argument	Description
string	The string for which you want the length

Return value

Long. Returns a long containing the length of string in bytes if it succeeds and -1 if an error occurs.

Usage

LenA replaces the functionality that Len had in DBCS environments in PowerBuilder 9. In SBCS environments, Len and LenA return the same results.

See also

[Len](#)

LenA in Section 2.4.470, “LenA” in *PowerScript Reference*

2.4.68 Log

Description

Gets the natural logarithm of a number.

Syntax

```
Log ( n )
```

Table 2.61:

Argument	Description
n	The number for which you want the natural logarithm (base e). The value of n must be greater than 0.

Return value

Double. Returns the natural logarithm of n. An execution error occurs if n is negative or zero.

Inverse

The inverse of the Log function is the Exp function.

Examples

This expression returns 2.302585092:

```
Log(10)
```

This expression returns -.693147 ...:

```
Log(0.5)
```

Both these expressions result in an error at runtime:

```
Log(0)  
Log(-2)
```

See also

[Exp](#)

[LogTen](#)

Log in Section 2.4.490, “Log” in *PowerScript Reference*

2.4.69 LogTen

Description

Gets the base 10 logarithm of a number.

Syntax

```
LogTen ( n )
```

Table 2.62:

Argument	Description
n	The number for which you want the base 10 logarithm. The value of n must not be negative.

Return value

Double. Returns the base 10 logarithm.

Obtaining a number

The expression 10^n is the inverse for $\text{LogTen}(n)$. To obtain n given number ($\text{nbr} = \text{LogTen}(n)$), use $n = 10^{\text{nbr}}$.

Examples

This expression returns 1:

```
LogTen(10)
```

The following expressions both return 0:

```
LogTen(1)  
LogTen(0)
```

This expression results in an execution error:

```
LogTen(-2)
```

See also[Log](#)LogTen in Section 2.4.491, “LogTen” in *PowerScript Reference***2.4.70 Long****Description**

Converts the value of a string to a long.

Syntax

```
Long ( string )
```

Table 2.63:

Argument	Description
string	The string you want returned as a long

Return value

Long. Returns the contents of string as a long if it succeeds and 0 if string is not a valid number.

Examples

This expression returns 2167899876 as a long:

```
Long( "2167899876" )
```

See alsoLong in Section 2.4.492, “Long” in *PowerScript Reference***2.4.71 LookUpDisplay****Description**

Obtains the display value in the code table associated with the data value in the specified column.

Syntax

```
LookUpDisplay ( column )
```

Table 2.64:

Argument	Description
column	The column for which you want the code table display value

Return value

String. Returns the display value when it succeeds and the empty string ("") if an error occurs.

Usage

If a column has a code table, a buffer stores a value from the data column of the code table, but the user sees a value from the display column. Use `LookUpDisplay` to get the value the user sees.

Code tables and data values and graphs

When a column that is displayed in a graph has a code table, the graph displays the data values of the code table by default. To display the display values, call this function when you define the graph data.

Examples

This expression returns the display value for the column `unit_measure`:

```
LookUpDisplay(unit_measure)
```

Assume the column `product_type` has a code table and you want to use it as a category for a graph. To display the product type descriptions instead of the data values in the categories, enter this expression in the Category option on the Data page in the graph's property sheet:

```
LookUpDisplay(product_type)
```

2.4.72 Lower

Description

Converts all the characters in a string to lowercase.

Syntax

```
Lower ( string )
```

Table 2.65:

Argument	Description
string	The string you want to convert to lowercase letters

Return value

String. Returns string with uppercase letters changed to lowercase if it succeeds and the empty string ("") if an error occurs.

Examples

This expression returns castle hill:

```
Lower("Castle Hill")
```

See also

[Upper](#)

Lower in Section 2.4.495, “Lower” in *PowerScript Reference*

2.4.73 Match

Description

Determines whether a string's value contains a particular pattern of characters.

Syntax

```
Match ( string, textpattern )
```

Table 2.66:

Argument	Description
string	The string in which you want to look for a pattern of characters
textpattern	A string whose value is the text pattern

Return value

Boolean. Returns true if string matches textpattern and false if it does not. Match also returns false if either argument has not been assigned a value or the pattern is invalid.

Usage

Match enables you to evaluate whether a string contains a general pattern of characters. To find out whether a string contains a specific substring, use the Pos function.

Textpattern is similar to a regular expression. It consists of metacharacters, which have special meaning, and ordinary characters, which match themselves. You can specify that the string begin or end with one or more characters from a set, or that it contain any characters except those in a set.

A text pattern consists of metacharacters, which have special meaning in the match string, and nonmetacharacters, which match the characters themselves.

The following tables explain the meaning and use of these metacharacters:

Table 2.67:

Metacharacter	Meaning	Example
Caret (^)	Matches the beginning of a string	^C matches C at the beginning of a string.
Dollar sign (\$)	Matches the end of a string	s\$ matches s at the end of a string.
Period (.)	Matches any character	. . . matches three consecutive characters.
Backslash (\)	Removes the following metacharacter's special characteristics so that it matches itself	\\$ matches \$.
Character class (a group of characters enclosed in square brackets [])	Matches any of the enclosed characters	[AEIOU] matches A, E, I, O, or U. You can use hyphens to abbreviate ranges of characters in a character class. For example, [A-Za-z] matches any letter.

Metacharacter	Meaning	Example
Complemented character class (first character inside the square brackets is a caret)	Matches any character not in the group following the caret	[^0-9] matches any character except a digit, and [^A-Za-z] matches any character except a letter.

The metacharacters asterisk (*), plus (+), and question mark (?) are unary operators that are used to specify repetitions in a regular expression:

Table 2.68:

Metacharacter	Meaning	Example
* (asterisk)	Indicates zero or more occurrences	A* matches zero or more As (no As, A, AA, AAA, and so on)
+ (plus)	Indicates one or more occurrences	A+ matches one A or more than one A (A, AAA, and so on)
? (question mark)	Indicates zero or one occurrence	A? matches an empty string ("") or A

Sample patterns

The following table shows various text patterns and sample text that matches each pattern:

Table 2.69:

This pattern	Matches
AB	Any string that contains AB, such as ABA, DEABC, graphAB_one.
B*	Any string that contains 0 or more Bs, such as AC, B, BB, BBB, ABBBC, and so on. Since B* used alone matches any string, you would not use it alone, but notice its use in some the following examples.
AB*C	Any string containing the pattern AC or ABC or ABBC, and so on (0 or more Bs).
AB+C	Any string containing the pattern ABC or ABBC or ABBBC, and so on (1 or more Bs).
ABB*C	Any string containing the pattern ABC or ABBC or ABBBC, and so on (1 B plus 0 or more Bs).
^AB	Any string starting with AB.
AB?C	Any string containing the pattern AC or ABC (0 or 1 B).
^[ABC]	Any string starting with A, B, or C.
[^ABC]	A string containing any characters other than A, B, or C.
^[^abc]	A string that begins with any character except a, b, or c.
^[^a-z]\$	Any single-character string that is not a lowercase letter (^ and \$ indicate the beginning and end of the string).
[A-Z]+	Any string with one or more uppercase letters.

This pattern	Matches
<code>^[0-9]+\$</code>	Any string consisting only of digits.
<code>^[0-9][0-9][0-9]\$</code>	Any string consisting of exactly three digits.
<code>^([0-9][0-9][0-9])\$</code>	Any string consisting of exactly three digits enclosed in parentheses.

Examples

This validation rule checks that the value the user entered begins with an uppercase letter. If the value of the expression is false, the data fails validation:

```
Match(GetText(), "^[A-Z]")
```

See also

[Pos](#)

Match in Section 2.4.508, “Match” in *PowerScript Reference*

2.4.74 Max

Description

Gets the maximum value in the specified column.

Syntax

```
Max ( column { FOR range { DISTINCT { expres1 { , expres2 { , ... } } } } } )
```

Table 2.70:

Argument	Description
column	The column for which you want the maximum value. Column can be the column name or the column number preceded by a pound sign (#). Column can also be an expression that includes a reference to the column. The datatype of column must be numeric.
FOR range (optional)	<p>The data that will be included when the maximum value is found. For most presentation styles, values for range are:</p> <ul style="list-style-type: none"> • ALL -- (Default) The maximum value of all rows in column. • GROUP n -- The maximum value of rows in column in the specified group. Specify the keyword GROUP followed by the group number: for example, GROUP 1. • PAGE -- The maximum value of the rows in column on a page. <p>For Crosstabs, specify CROSSTAB for range:</p> <ul style="list-style-type: none"> • CROSSTAB -- (Crosstabs only) The maximum value of all rows in column in the crosstab. <p>For Graph and OLE objects, specify one of the following:</p>

Argument	Description
	<ul style="list-style-type: none"> • GRAPH -- (Graphs only) The maximum value in column in the range specified for the Rows option. • OBJECT -- (OLE objects only) The maximum value in column in the range specified for the Rows option.
DISTINCT (optional)	Causes Max to consider only the distinct values in column when determining the largest value. For a value of column, the first row found with the value is used and other rows that have the same value are ignored.
expressn (optional)	One or more expressions that you want to evaluate to determine distinct rows. Expressn can be the name of a column, a function, or an expression.

Return value

The datatype of the column. Returns the maximum value in the rows of column. If you specify range, Max returns the maximum value in column in range.

Usage

If you specify range, Max determines the maximum value in column in range. If you specify DISTINCT, Max returns the maximum distinct value in column, or if you specify expressn, the maximum distinct value in column where the value of expressn is distinct.

For graphs and OLE objects, you do not select the range when you call the function. The range has already been determined by the Rows setting on the Data property page (the Range property), and the aggregation function uses that range. Settings for Rows include the following:

- For the Graph or OLE presentation style, Rows is always All.
- For Graph controls, Rows can be All, Page, or Group.
- For OLE controls, Rows can be All, Current Row, Page, or Group. The available choices depend on the layer the control occupies.

Null values are ignored and are not considered in determining the maximum.

Not in validation rules or filter expressions

You cannot use this or other aggregate functions in validation rules or filter expressions.

Using an aggregate function cancels the effect of setting Retrieve Rows As Needed in the painter. To do the aggregation, a DataWindow object always retrieves all rows.

Examples

This expression returns the maximum of the values in the age column on the page:

```
Max(age for page)
```

This expression returns the maximum of the values in column 3 on the page:


```
Max(#3 for page)
```

This expression returns the maximum of the values in the column named age in group 1:

```
Max(age for group 1)
```

Assuming a DataWindow object displays the order number, amount, and line items for each order, this computed field returns the maximum of the order amount for the distinct order numbers:

```
Max(order_amt for all DISTINCT order_nbr)
```

See also

[Min](#)

Max in Section 2.4.510, “Max” in *PowerScript Reference*

2.4.75 Median

Description

Calculates the median of the values of the column. The median is the middle value in the set of values, for which there is an equal number of values greater and smaller than it.

Syntax

```
Median ( column { FOR range { DISTINCT { expres1 { , expres2 { , ... } } } } } )
```

Table 2.71:

Argument	Description
column	The column for which you want the median of the data values. Column can be the column name or the column number preceded by a pound sign (#). Column can also be an expression that includes a reference to the column. The datatype of column must be numeric.
FOR range (optional)	<p>The data that will be included in the median. For most presentation styles, values for range are:</p> <ul style="list-style-type: none"> • ALL -- (Default) The median of all values in column. • GROUP n -- The median of values in column in the specified group. Specify the keyword GROUP followed by the group number: for example, GROUP 1. • PAGE -- The median of the values in column on a page. <p>For Crosstabs, specify CROSSTAB for range:</p> <ul style="list-style-type: none"> • CROSSTAB -- (Crosstabs only) The median of all values in column in the crosstab. <p>For Graph and OLE objects, specify one of the following:</p> <ul style="list-style-type: none"> • GRAPH -- (Graphs only) The median of values in column in the range specified for the Rows.

Argument	Description
	<ul style="list-style-type: none"> OBJECT -- (OLE objects only) The median of values in column in the range specified for the Rows option.
DISTINCT (optional)	Causes Median to consider only the distinct values in column when determining the median. For a value of column, the first row found with the value is used and other rows that have the same value are ignored.
expressn (optional)	One or more expressions that you want to evaluate to determine distinct rows. Expressn can be the name of a column, a function, or an expression.

Return value

The numeric datatype of the column. Returns the median of the values of the rows in range if it succeeds and -1 if an error occurs.

Usage

If you specify range, Median returns the median value of column in range. If you specify DISTINCT, Median returns the median value of the distinct values in column, or if you specify expressn, the median of column for each distinct value of expressn.

For graphs and OLE objects, you do not select the range when you call the function. The range has already been determined by the Rows setting on the Data property page (the Range property), and the aggregation function uses that range.

Settings for Rows include the following:

- For the Graph or OLE presentation style, Rows is always All.
- For Graph controls, Rows can be All, Page, or Group.
- For OLE controls, Rows can be All, Current Row, Page, or Group. The available choices depend on the layer the control occupies.

In calculating the median, null values are ignored.

Not in validation rules or filter expressions

You cannot use this or other aggregate functions in validation rules or filter expressions.

Using an aggregate function cancels the effect of setting Retrieve Rows As Needed in the painter. To do the aggregation, a DataWindow object always retrieves all rows.

Examples

This expression returns the median of the values in the column named salary:

```
Median(salary)
```

This expression returns the median of the values in the column named salary of group 1:

```
Median(salary for group 1)
```

This expression returns the median of the values in column 5 on the current page:

```
Median(#5 for page)
```

This computed field returns Above Median if the median salary for the page is greater than the median for the report:

```
If(Median(salary for page) > Median(salary), "AboveMedian", " ")
```

This expression for a graph value sets the data value to the median value of the sale_price column:

```
Median(sale_price)
```

This expression for a graph value entered on the Data page in the graph's property sheet sets the data value to the median value of the sale_price column for the entire graph:

```
Median(sale_price for graph)
```

Assuming a DataWindow object displays the order number, amount, and line items for each order, this computed field returns the median of the order amount for the distinct order numbers:

```
Median(order_amt for all DISTINCT order_nbr)
```

See also

[Avg](#)

[Mode](#)

2.4.76 Mid

Description

Obtains a specified number of characters from a specified position in a string.

Syntax

```
Mid ( string, start {, length } )
```

Table 2.72:

Argument	Description
string	The string from which you want characters returned.
start	A long specifying the position of the first character you want returned (the position of the first character of the string is 1).
length (optional)	A long whose value is the number of characters you want returned. If you do not enter length or if length is greater than the number of characters to the right of start, Mid returns the remaining characters in the string.

Return value

String. Returns characters specified in length of string starting at character start. If start is greater than the number of characters in string, the Mid function returns the empty string (""). If length is greater than the number of characters remaining after the start character, Mid returns the remaining characters. The return string is not filled with spaces to make it the specified length.

Examples

This expression returns "":

```
Mid("BABE RUTH", 40, 5)
```

This expression returns BE RUTH:

```
Mid("BABE RUTH", 3)
```

This expression in a computed field returns ACCESS DENIED if the fourth character in the column password is not R:

```
If(Mid(password, 4, 1) = "R", "ENTER", "ACCESS DENIED")
```

To pass this validation rule, the fourth character in the column password must be 6:

```
Mid(password, 4, 1) = "6"
```

See also

Mid in Section 2.4.516, "Mid" in *PowerScript Reference*

2.4.77 MidA

Description

Obtains a specified number of bytes from a specified position in a string.

Syntax

```
MidA ( string, start {, length } )
```

Table 2.73:

Argument	Description
string	The string from which you want characters returned.
start	A long specifying the position of the first byte you want returned (the position of the first byte of the string is 1).
length (optional)	A long whose value is the number of bytes you want returned. If you do not enter length or if length is greater than the number of bytes to the right of start, MidA returns the remaining bytes in the string.

Return value

String. Returns characters specified by the number of bytes in length of string starting at the byte specified by start. If start is greater than the number of bytes in string, the MidA function returns the empty string (""). If length is greater than the number of bytes remaining after the start byte, MidA returns the remaining bytes. The return string is not filled with spaces to make it the specified length.

Usage

MidA replaces the functionality that Mid had in DBCS environments in PowerBuilder 9. In SBCS environments, Mid and MidA return the same results.

See also

[Mid](#)

MidA in Section 2.4.517, “MidA” in *PowerScript Reference*

2.4.78 Min**Description**

Gets the minimum value in the specified column.

Syntax

```
Min ( column { FOR range { DISTINCT { expres1 { , expres2 { , ... } } } } } )
```

Table 2.74:

Argument	Description
column	The column for which you want the minimum value. Column can be the column name or the column number preceded by a pound sign (#). Column can also be an expression that includes a reference to the column. The datatype of column must be numeric.
FOR range (optional)	<p>The data that will be included in the minimum. For most presentation styles, values for range are:</p> <ul style="list-style-type: none"> • ALL -- (Default) The minimum of all values in column. • GROUP n -- The minimum of values in column in the specified group. Specify the keyword GROUP followed by the group number: for example, GROUP 1. • PAGE -- The minimum of the values in column on a page. <p>For Crosstabs, specify CROSSTAB for range:</p> <ul style="list-style-type: none"> • CROSSTAB -- (Crosstabs only) The minimum of all values in column in the crosstab. <p>For Graph and OLE objects, specify one of the following:</p> <ul style="list-style-type: none"> • GRAPH -- (Graphs only) The minimum of values in column in the range specified for the Rows option. • OBJECT -- (OLE objects only) The minimum of values in column in the range specified for the Rows option.
DISTINCT (optional)	Causes Min to consider only the distinct values in column when determining the minimum value. For a value of column, the first row found with the value is used and other rows that have the same value are ignored.
expressn (optional)	One or more expressions that you want to evaluate to determine distinct rows. Expressn can be the name of a column, a function, or an expression.

Return value

The datatype of the column. Returns the minimum value in the rows of column. If you specify range, Min returns the minimum value in the rows of column in range.

Usage

If you specify range, Min determines the minimum value in column in range. If you specify DISTINCT, Min returns the minimum distinct value in column, or if you specify expresn, the minimum distinct value in column where the value of expresn is distinct.

For graphs and OLE objects, you do not select the range when you call the function. The range has already been determined by the Rows setting on the Data property page (the Range property), and the aggregation function uses that range. Settings for Rows include:

- For the Graph or OLE presentation style, Rows is always All.
- For Graph controls, Rows can be All, Page, or Group.
- For OLE controls, Rows can be All, Current Row, Page, or Group. The available choices depend on the layer the control occupies.

Null values are ignored and are not considered in determining the minimum.

Not in validation rules or filter expressions

You cannot use this or other aggregate functions in validation rules or filter expressions.

Using an aggregate function cancels the effect of setting Retrieve Rows As Needed in the painter. To do the aggregation, a DataWindow object always retrieves all rows.

Examples

This expression returns the minimum value in the column named age in group 2:

```
Min(age for group 2)
```

This expression returns the minimum of the values in column 3 on the page:

```
Min(#3 for page)
```

Assuming a DataWindow object displays the order number, amount, and line items for each order, this computed field returns the minimum of the order amount for the distinct order numbers:

```
Min(order_amt for all DISTINCT order_nbr)
```

See also

[Max](#)

Min in Section 2.4.519, “Min” in *PowerScript Reference*

2.4.79 Minute

Description

Obtains the number of minutes in the minutes portion of a time value.

Syntax

```
Minute ( time )
```

Table 2.75:

Argument	Description
time	The time value from which you want the minutes

Return value

Integer. Returns the minutes portion of time (00 to 59).

Examples

This expression returns 1:

```
Minute(19:01:31)
```

See also

[Hour](#)

[Second](#)

Minute in Section 2.4.520, “Minute” in *PowerScript Reference*

2.4.80 Mod

Description

Obtains the remainder (modulus) of a division operation.

Syntax

```
Mod ( x, y )
```

Table 2.76:

Argument	Description
x	The number you want to divide by y
y	The number you want to divide into x

Return value

The datatype of x or y, whichever datatype is more precise.

Examples

This expression returns 2:

```
Mod(20, 6)
```

This expression returns 1.5:

```
Mod(25.5, 4)
```

This expression returns 2.5:

```
Mod(25, 4.5)
```

See also

Mod in Section 2.4.521, “Mod” in *PowerScript Reference*

2.4.81 Mode**Description**

Calculates the mode of the values of the column. The mode is the most frequently occurring value.

Syntax

```
Mode ( column { FOR range { DISTINCT { expres1 { , expres2 { , ... } } } } } )
```

Table 2.77:

Argument	Description
column	The column for which you want the mode of the data values. Column can be the column name or the column number preceded by a pound sign (#). Column can also be an expression that includes a reference to the column. The datatype of column must be numeric.
FOR range (optional)	<p>The data that will be included in the mode. For most presentation styles, values for range are:</p> <ul style="list-style-type: none"> • ALL -- (Default) The mode of all values in column. • GROUP n -- The mode of values in column in the specified group. Specify the keyword GROUP followed by the group number: for example, GROUP 1. • PAGE -- The mode of the values in column on a page. <p>For Crosstabs, specify CROSSTAB for range:</p> <ul style="list-style-type: none"> • CROSSTAB -- (Crosstabs only) The mode of all values in column in the crosstab. <p>For Graph and OLE objects, specify one of the following:</p> <ul style="list-style-type: none"> • GRAPH -- (Graphs only) The mode of values in column in the range specified for the Rows option. • OBJECT -- (OLE objects only) The mode of values in column in the range specified for the Rows option.
DISTINCT (optional)	Causes Mode to consider only the distinct values in column when determining the mode. For a value of column, the first row found with the value is used and other rows that have the same value are ignored.
expresn (optional)	One or more expressions that you want to evaluate to determine distinct rows. Expresn can be the name of a column, a function, or an expression.

Return value

The numeric datatype of the column. Returns the mode of the values of the rows in range if it succeeds and -1 if an error occurs.

Usage

If you specify range, Mode returns the mode of column in range. If you specify DISTINCT, Mode returns the mode of the distinct values in column, or if you specify expresn, the mode of column for each distinct value of expresn.

For graphs and OLE objects, you do not select the range when you call the function. The range has already been determined by the Rows setting on the Data property page (the Range property), and the aggregation function uses that range. Settings for Rows include:

- For the Graph or OLE presentation style, Rows is always All.
- For Graph controls, Rows can be All, Page, or Group.
- For OLE controls, Rows can be All, Current Row, Page, or Group. The available choices depend on the layer the control occupies.

In calculating the mode, null values are ignored.

Not in validation rules or filter expressions

You cannot use this or other aggregate functions in validation rules or filter expressions.

Using an aggregate function cancels the effect of setting Retrieve Rows As Needed in the painter. To do the aggregation, a DataWindow object always retrieves all rows.

Examples

This expression returns the mode of the values in the column named salary:

```
Mode(salary)
```

This expression returns the mode of the values for group 1 in the column named salary:

```
Mode(salary for group 1)
```

This expression returns the mode of the values in column 5 on the current page:

```
Mode(#5 for page)
```

This computed field returns Above Mode if the mode of the salary for the page is greater than the mode for the report:

```
If(Mode(salary for page) > Mode(salary), "Above Mode", " ")
```

This expression for a graph value sets the data value to the mode of the sale_price column:

```
Mode(sale_price)
```

This expression for a graph value entered on the Data page in the graph's property sheet sets the data value to the mode of the sale_price column for the entire graph:

```
Mode(sale_price for graph)
```

Assuming a DataWindow object displays the order number, amount, and line items for each order, this computed field returns the mode of the order amount for the distinct order numbers:

```
Mode(order_amt for all DISTINCT order_nbr)
```

See also

[Avg](#)

[Median](#)

2.4.82 Month

Description

Gets the month of a date value.

Syntax

```
Month ( date )
```

Table 2.78:

Argument	Description
date	The date from which you want the month

Return value

Integer. Returns an integer (1 to 12) whose value is the month portion of date.

Examples

This expression returns 1:

```
Month(2005-01-31)
```

This expression for a computed column returns Wrong Month if the month in the column expected_grad_date is not 6:

```
If(Month(expected_grad_date) = 6, "June", "Wrong Month")
```

This validation rule expression checks that the value of the month in the date in the column expected_grad_date is 6:

```
Month(expected_grad_date) = 6
```

See also

[Day](#)

[Date](#)

[Year](#)

Month in Section 2.4.523, “Month” in *PowerScript Reference*

2.4.83 Now

Description

Obtains the current time based on the system time of the client machine.

Syntax

```
Now ( )
```

Return value

Time. Returns the current time based on the system time of the client machine.

Usage

Use Now to compare a time to the system time or to display the system time on the screen. The timer interval specified for the DataWindow object determines the frequency at which the value of Now is updated. For example, if the timer interval is one second, it is updated every second. The default timer interval is one minute (60,000 milliseconds).

Examples

This expression returns the current system time:

```
Now( )
```

This expression sets the column value to 8:00 when the current system time is before 8:00 and to the current time if it is after 8:00:

```
If(Now() < 08:00:00, '08:00:00', String(Now()))
```

The displayed time refreshes every time the specified time interval period elapses.

If a static value of time is required (for example, the time when a report has been executed or the retrieve has started), you can use a static text field that you modify as follows:

```
//Set the time when the report was executed in
//the text field t_now
dw1.Modify("t_now.text='"+ String(Now(), "hh:mm")+ "'")
//execute the report
dw1.retrieve()
```

See also

[If](#)

[Year](#)

Now in Section 2.4.529, “Now” in *PowerScript Reference*

2.4.84 Number

Description

Converts a string to a number.

Syntax

```
Number ( string )
```

Table 2.79:

Argument	Description
string	The string you want returned as a number

Return value

A numeric datatype. Returns the contents of string as a number. If string is not a valid number, Number returns 0.

Examples

This expression converts the string 24 to a number:

```
Number ( "24" )
```

This expression for a computed field tests whether the value in the age column is greater than 55 and if so displays N/A; otherwise, it displays the value in age:

```
If (Number (age) > 55, "N/A", age)
```

This validation rule checks that the number the user entered is between 25,000 and 50,000:

```
Number (GetText ()) > 25000 AND Number (GetText ()) < 50000
```

2.4.85 Page

Description

Gets the number of the current page.

Syntax

```
Page ( )
```

Return value

Long. Returns the number of the current page.

Calculating the page count

The vertical size of the paper less the top and bottom margins is used to calculate the page count. When the print orientation is landscape, the vertical size of the paper is the shorter dimension. If the DataWindow object is not set to print preview, then the size of the control determines the page number.

When Page() is in the header, it uses the first row currently visible on the page to determine the page number. When it is in the footer, it uses the last row currently visible. Therefore, it is possible for the values to be different.

Examples

This expression returns the number of the current page:

```
Page ( )
```

In the DataWindow object's footer band, this expression for a computed field displays a string showing the current page number and the total number of pages in the report. The result has the format Page n of total:

```
'Page ' + Page ( ) + ' of ' + PageCount ( )
```

See also

[PageAbs](#)

[PageAcross](#)[PageCount](#)[PageCountAcross](#)

2.4.86 PageAbs

Description

Gets the absolute number of the current page.

Syntax

```
PageAbs ( )
```

Return value

Long. Returns the absolute number of the current page.

Usage

Use this function for group reports that have `ResetPageCount = yes`. It returns the absolute page number, ignoring the page reset count. This enables you to number the grouped pages, but also to obtain the absolute page when the user wants to print the current page, regardless of what that page number is in a grouped page report.

Examples

This expression returns the absolute number of the current page:

```
PageAbs ( )
```

This example obtains the absolute page number for the first row on the page in the string variable `ret`:

```
string ret, row
row = dw1.Object.DataWindow.FirstRowOnPage
ret = dw1.Describe("Evaluate('pageabs()', "+row+" ")")
```

See also

[Page](#)[PageCount](#)[PageCountAcross](#)

2.4.87 PageAcross

Description

Gets the number of the current horizontal page. For example, if a report is twice the width of the print preview window and the window is scrolled horizontally to display the portion of the report that was outside the preview, `PageAcross` returns 2 because the current page is the second horizontal page.

Syntax

```
PageAcross ( )
```

Return value

Long. Returns the number of the current horizontal page if it succeeds and -1 if an error occurs.

Examples

This expression returns the number of the current horizontal page:

```
PageAcross()
```

See also

[Page](#)

[PageCount](#)

[PageCountAcross](#)

2.4.88 PageCount

Description

Gets the total number of pages when a DataWindow object is being viewed in Print Preview. This number is also the number of printed pages if the DataWindow object is not wider than the preview window. If the DataWindow object is wider than the preview window, the number of printed pages will be greater than the number PageCount gets.

Syntax

```
PageCount ( )
```

Return value

Long. Returns the total number of pages.

Usage

PageCount applies to Print Preview.

Calculating the page count

The vertical size of the paper less the top and bottom margins is used to calculate the page count. When the print orientation is landscape, the vertical size of the paper is the shorter dimension. If the DataWindow object is not set to print preview, then the size of the control determines the page count.

Examples

This expression returns the number of pages:

```
PageCount ( )
```

In the DataWindow object's footer band, this expression for a computed field displays a string showing the current page number and the total number of pages in the report. The result has the format Page n of total:

```
'Page ' + Page() + ' of ' + PageCount ( )
```

See also

[Page](#)

[PageAcross](#)[PageCountAcross](#)

2.4.89 PageCountAcross

Description

Gets the total number of horizontal pages that are wider than the Print Preview window when a DataWindow object is viewed in Print preview.

Syntax

```
PageCountAcross ( )
```

Return value

Long. Returns the total number of horizontal pages if it succeeds and -1 if an error occurs.

Usage

PageCountAcross applies to Print Preview.

Examples

This expression returns the number of horizontal pages in the Print Preview window:

```
PageCountAcross ( )
```

See also

[Page](#)[PageAcross](#)[PageCount](#)

2.4.90 Paint

Description

Takes a string expression argument and returns the same string, allowing you to paint inside a DataWindow object in a way that respect the position and z-order of other DataWindow objects.

Syntax

```
Paint ( expr )
```

Table 2.80:

Argument	Description
expr	Any valid DataWindow expression. It should contain a function call to a drawing global function with rendering logic. If expr is a string expression and the value is not null, the computed field will render the evaluated string expression.

Return value

String. The Paint expression function takes a string expression argument and returns the same string.

Examples

This example instantiates the drawing functions and, if the drawing function returns false, the text "No Pie" displays.

```
Paint
(
  MyDrawPieSlice
  (
    GetPaintDC()
    GetPaintRectX()
    GetPaintRectY()
    GetPaintRectWidth()
    GetPaintRectHeight()
    GetRow()*100/RowCount()
  )
)

Paint
(
  MyDrawPieSlice
  (
    GetPaintDC(),
    GetRow()*100/RowCount()
  )
)

Paint
(
  if MyDrawPieSlice(GetPaintDC()), "", "No Pie"
)

```

2.4.91 Percent

Description

Gets the percentage that the current value represents of the total of the values in the column.

Syntax

```
Percent ( column { FOR range { DISTINCT { expres1 { , expres2 { , ... } } } } } )
```

Table 2.81:

Argument	Description
column	The column for which you want the value of each row expressed as a percentage of the total of the values of the column. Column can be the column name or the column number preceded by a pound sign (#). Column can also be an expression that includes a reference to the column. The datatype of column must be numeric.
FOR range (optional)	The data to be included in the percentage. For most presentation styles, values for range are: <ul style="list-style-type: none"> ALL -- (Default) The percentage that the current value represents of all rows in column. GROUP n -- The percentage that the current value represents of rows in column in the specified group. Specify the keyword GROUP followed by the group number: for example, GROUP 1.

Argument	Description
	<ul style="list-style-type: none"> • PAGE -- The percentage that the current value represents of the rows in column on a page. <p>For Crosstabs, specify CROSSTAB for range:</p> <ul style="list-style-type: none"> • CROSSTAB -- (Crosstabs only) The percentage that the current value represents of all rows in column in the crosstab. <p>For Graph and OLE objects, specify one of the following:</p> <ul style="list-style-type: none"> • GRAPH -- (Graphs only) The percentage that the current value represents of values in column in the range specified for the Rows option. • OBJECT -- (OLE objects only) The percentage that the current value represents of values in column in the range specified for the Rows option.
DISTINCT (optional)	Causes Percent to consider only the distinct values in column when determining the percentage. For a value of column, the first row found with the value is used and other rows that have the same value are ignored.
expressn (optional)	One or more expressions that you want to evaluate to determine distinct rows. Expressn can be the name of a column, a function, or an expression.

Return value

A numeric datatype (decimal, double, integer, long, or real). Returns the percentage the current row of column represents of the total value of the column.

Usage

Usually you use Percent in a column to display the percentage for each row. You can also use Percent in a header or trailer for a group. In the header, Percent displays the percentage for the first value in the group, and in the trailer, for the last value in the group.

If you specify range, Percent returns the percentage that the current row of column represents relative to the total value of range. For example, if column 5 is salary, Percent(#5 for group 1) is equivalent to salary/(Sum(Salary for group 1)).

If you specify DISTINCT, Percent returns the percent that a distinct value in column represents of the total value of column. If you specify expressn, Percent returns the percent that the value in column represents of the total for column in a row in which the value of expressn is distinct.

Formatting the percent value

The percentage is displayed as a decimal value unless you specify a format for the result. A display format can be part of the computed field's definition.

For graphs and OLE objects, you do not select the range when you call the function. The range has already been determined by the Rows setting on the Data property page (the

Range property), and the aggregation function uses that range. Settings for Rows include the following:

- For the Graph or OLE presentation style, Rows is always All.
- For Graph controls, Rows can be All, Page, or Group.
- For OLE controls, Rows can be All, Current Row, Page, or Group. The available choices depend on the layer the control occupies.

Null values are ignored and are not considered in the calculation.

Not in validation rules, filter expressions, or crosstabs

You cannot use Percent or other aggregate functions in validation rules or filter expressions. Percent does not work for crosstabs; specifying "for crosstab" as a range is not available for Percent.

Using an aggregate function cancels the effect of setting Retrieve Rows As Needed in the painter. To do the aggregation, a DataWindow object always retrieves all rows.

Examples

This expression returns the value of each row in the column named salary as a percentage of the total of salary:

```
Percent(salary)
```

This expression returns the value of each row in the column named cost as a percentage of the total of cost in group 2:

```
Percent(cost for group 2)
```

This expression entered in the Value box on the Data tab page in the Graph Object property sheet returns the value of each row in the qty_ordered as a percentage of the total for the column in the graph:

```
Percent(qty_ordered for graph)
```

Assuming a DataWindow object displays the order number, amount, and line items for each order, this computed field returns the order amount as a percentage of the total order amount for the distinct order numbers:

```
Percent(order_amt for all DISTINCT order_nbr)
```

See also

[CumulativePercent](#)

2.4.92 Pi

Description

Multiplies pi by a specified number.

Syntax

```
Pi ( n )
```

Table 2.82:

Argument	Description
n	The number you want to multiply by pi (3.14159265358979323...)

Return value

Double. Returns the result of multiplying n by pi if it succeeds and -1 if an error occurs.

Usage

Use Pi to convert angles to and from radians.

Examples

This expression returns pi:

```
Pi(1)
```

Both these expressions return the area of a circle with the radius Rad:

```
Pi(1) * Rad^2  
Pi(Rad^2)
```

This expression computes the cosine of a 45-degree angle:

```
Cos(45.0 * (Pi(2)/360))
```

See also

[Cos](#)

[Sin](#)

[Tan](#)

Pi in Section 2.4.561, “Pi” in *PowerScript Reference*

2.4.93 Pos**Description**

Finds one string within another string.

Syntax

```
Pos ( string1, string2 {, start } )
```

Table 2.83:

Argument	Description
string1	The string in which you want to find string2.
string2	The string you want to find in string1.
start (optional)	A long indicating where the search will begin in string. The default is 1.

Return value

Long. Returns a long whose value is the starting position of the first occurrence of string2 in string1 after the position specified in start. If string2 is not found in string1 or if start is not within string1, Pos returns 0.

Usage

The Pos function is case-sensitive.

Examples

This expression returns the position of the letter a in the value of the last_name column:

```
Pos(last_name, "a")
```

This expression returns 6:

```
Pos("BABE RUTH", "RU")
```

This expression returns 1:

```
Pos("BABE RUTH", "B")
```

This expression returns 0 (because the case does not match):

```
Pos("BABE RUTH", "be")
```

This expression returns 0 (because it starts searching at position 5, after the occurrence of BE):

```
Pos("BABE RUTH", "BE", 5)
```

See also

[LastPos](#)

[Left](#)

[Mid](#)

[PosA](#)

[Right](#)

Pos in Section 2.4.568, “Pos” in *PowerScript Reference*

2.4.94 PosA

Description

Finds one string within another string.

Syntax

```
PosA ( string1, string2 {, start } )
```

Table 2.84:

Argument	Description
string1	The string in which you want to find string2.
string2	The string you want to find in string1.
start (optional)	A long indicating the position in bytes where the search will begin in string. The default is 1.

Return value

Long. Returns a long whose value is the starting position of the first occurrence of string2 in string1 after the position in bytes specified in start. If string2 is not found in string1 or if start is not within string1, PosA returns 0.

Usage

PosA replaces the functionality that Pos had in DBCS environments in PowerBuilder 9. In SBCS environments, Pos and PosA return the same results.

See also

[LastPos](#)

[LeftA](#)

[MidA](#)

[Pos](#)

[RightA](#)

PosA in Section 2.4.569, “PosA” in *PowerScript Reference*

2.4.95 ProfileInt

Description

Obtains the integer value of a setting in the specified profile file.

Syntax

```
ProfileInt ( filename, section, key, default )
```

Table 2.85:

Argument	Description
filename	A string whose value is the name of the profile file. If you do not specify a full path, ProfileInt uses the operating system's standard file search order to find the file.
section	A string whose value is the name of a group of related values in the profile file. In the file, section names are in square brackets. Do not include the brackets in section. Section is not case-sensitive.
key	A string specifying the setting name in section whose value you want. The setting name is followed by an equal sign in the file. Do not include the equal sign in key. Key is not case-sensitive.
default	An integer value that ProfileInt returns if filename is not found, if section or key does not exist in filename, or if the value of key cannot be converted to an integer.

Return value

Integer. Returns default if filename is not found, section is not found in filename, key is not found in section, or the value of key is not an integer. Returns -1 if an error occurs.

Usage

Use ProfileInt and ProfileString to get configuration settings from a profile file you have designed for your application. ProfileInt and ProfileString can read files with ANSI or

UTF16-LE encoding on Windows systems, and ANSI or UTF16-BE encoding on UNIX systems.

Using a DataWindow object in different environments

PowerBuilder

You can use PowerScript SetProfileString to change values in the profile file to customize your application's configuration at runtime. Before you make changes, you can use ProfileInt and ProfileString to obtain the original settings so you can optionally restore them when the user exits the application.

Web control

ProfileInt always returns the value of default. It does not open a file on the user's machine; doing so would be a security violation.

Examples

This example uses the following PROFILE.INI file:

```
[MyApp]
Maximized=1
[Security]
Class = 7
```

This expression tries to return the integer value of the keyword Minimized in section MyApp of file C:\PROFILE.INI. It returns 3 if there is no MyApp section or no Minimized keyword in the MyApp section. Based on the sample file above, it returns 3:

```
ProfileInt("C:\PROFILE.INI", "MyApp", "minimized", 3)
```

See also

[ProfileString](#)

ProfileInt in Section 2.4.606, “ProfileInt” in *PowerScript Reference*

2.4.96 ProfileString

Description

Obtains the string value of a setting in the specified profile file.

Syntax

```
ProfileString ( filename, section, key, default )
```

Table 2.86:

Argument	Description
filename	A string whose value is the name of the profile file. If you do not specify a full path, ProfileString uses the operating system's standard file search order to find the file.
section	A string whose value is the name of a group of related values in the profile file. In the file, section names are in square brackets. Do not include the brackets in section. Section is not case-sensitive.

Argument	Description
key	A string specifying the setting name in section whose value you want. The setting name is followed by an equal sign in the file. Do not include the equal sign in key. Key is not case-sensitive.
default	A string value that ProfileString returns if filename is not found, if section or key does not exist in filename, or if the value of key cannot be converted to an integer.

Return value

String, with a maximum length of 4096 characters. Returns the string from key within section within filename. If filename is not found, section is not found in filename, or key is not found in section, ProfileString returns default. If an error occurs, it returns the empty string ("").

Usage

Use ProfileInt and ProfileString to get configuration settings from a profile file you have designed for your application. ProfileInt and ProfileString can read files with ANSI or UTF16-LE encoding on Windows systems, and ANSI or UTF16-BE encoding on UNIX systems.

Using a DataWindow object in different environments

PowerBuilder

You can use PowerScript SetProfileString to change values in the profile file to customize your application's configuration at runtime. Before you make changes, you can use ProfileInt and ProfileString to obtain the original settings so you can optionally restore them when the user exits the application.

Web control

ProfileString always returns the value of default. It does not open a file on the user's machine; doing so would be a security violation.

Examples

This example uses the following section in the PROFILE.INI file:

```
[Employee]
Name="Smith"
[Dept]
Name="Marketing"
```

This expression returns the string for the keyword Name in section Employee in file C:\PROFILE.INI. It returns None if the section or keyword does not exist. In this case it returns Smith:

```
ProfileString("C:\PROFILE.INI", "Employee", "Name", "None")
```

See also

[ProfileInt](#)

ProfileString in Section 2.4.607, "ProfileString" in *PowerScript Reference*

SetProfileString in Section 2.4.754, "SetProfileString" in *PowerScript Reference*

2.4.97 Rand

Description

Obtains a random whole number between 1 and a specified upper limit.

Syntax

```
Rand ( n )
```

Table 2.87:

Argument	Description
n	The upper limit of the range of random numbers you want returned. The lower limit is always 1. The upper limit cannot exceed 32,767.

Return value

A numeric datatype, the datatype of n. Returns a random whole number between 1 and n.

Usage

The sequence of numbers generated by repeated calls to the Rand function is a computer-generated pseudorandom sequence.

You can control whether the sequence is different each time your application runs by calling the PowerScript Randomize function to initialize the random number generator.

Examples

This expression returns a random whole number between 1 and 10:

```
Rand(10)
```

See also

Rand in Section 2.4.608, “Rand” in *PowerScript Reference*

Randomize in Section 2.4.609, “Randomize” in *PowerScript Reference*

2.4.98 Real

Description

Converts a string value to a real datatype.

Syntax

```
Real ( string )
```

Table 2.88:

Argument	Description
string	The string whose value you want to convert to a real

Return value

Real. Returns the contents of a string as a real. If string is not a valid number, Real returns 0.

Examples

This expression converts 24 to a real:

```
Real ( "24" )
```

This expression returns the value in the column temp_text as a real:

```
Real ( temp_text )
```

See also

Real in Section 2.4.612, “Real” in *PowerScript Reference*

2.4.99 RelativeDate

Description

Obtains the date that occurs a specified number of days after or before another date.

Syntax

```
RelativeDate ( date, n )
```

Table 2.89:

Argument	Description
date	A date value
n	An integer indicating the number of days

Return value

Date. Returns the date that occurs n days after date if n is greater than 0. Returns the date that occurs n days before date if n is less than 0.

Examples

This expression returns 2005-02-10:

```
RelativeDate(2005-01-31, 10)
```

This expression returns 2005-01-21:

```
RelativeDate(2005-01-31, -10)
```

See also

[DaysAfter](#)

RelativeDate in Section 2.4.621, “RelativeDate” in *PowerScript Reference*

2.4.100 RelativeTime

Description

Obtains a time that occurs a specified number of seconds after or before another time within a 24-hour period.

Syntax

```
RelativeTime ( time, n )
```

Table 2.90:

Argument	Description
time	A time value
n	A long number of seconds

Return value

Time. Returns the time that occurs n seconds after time if n is greater than 0. Returns the time that occurs n seconds before time if n is less than 0. The maximum return value is 23:59:59.

Examples

This expression returns 19:01:41:

```
RelativeTime(19:01:31, 10)
```

This expression returns 19:01:21:

```
RelativeTime(19:01:31, -10)
```

See also

[SecondsAfter](#)

RelativeTime in Section 2.4.622, “RelativeTime” in *PowerScript Reference*

2.4.101 Replace**Description**

Replaces a portion of one string with another.

Syntax

```
Replace ( string1, start, n, string2 )
```

Table 2.91:

Argument	Description
string1	The string in which you want to replace characters with string2.
start	A long whose value is the number of the first character you want replaced. (The first character in the string is number 1.)
n	A long whose value is the number of characters you want to replace.
string2	The string that replaces characters in string1. The number of characters in string2 can be greater than, equal to, or fewer than the number of characters you are replacing.

Return value

String. Returns the string with the characters replaced if it succeeds and the empty string ("") if it fails.

Usage

If the start position is beyond the end of the string, Replace appends string2 to string1. If there are fewer characters after the start position than specified in n, Replace replaces all the characters to the right of character start.

If *n* is zero, then in effect Replace inserts *string2* into *string1*.

Examples

This expression changes the last two characters of the string David to e to make it Dave:

```
Replace("David", 4, 2, "e")
```

This expression returns MY HOUSE:

```
Replace("YOUR HOUSE", 1, 4, "MY")
```

This expression returns Closed for the Winter:

```
Replace("Closed for Vacation", 12, 8, "the Winter")
```

See also

[ReplaceA](#)

Replace in Section 2.4.630, “Replace” in *PowerScript Reference*

2.4.102 ReplaceA

Description

Replaces a portion of one string with another.

Syntax

```
ReplaceA ( string1, start, n, string2 )
```

Table 2.92:

Argument	Description
string1	The string in which you want to replace bytes with string2.
start	A long whose value is the number of the first byte you want replaced. (The first byte in the string is number 1.)
n	A long whose value is the number of bytes you want to replace.
string2	The string that replaces bytes in string1. The number of bytes in string2 can be greater than, equal to, or fewer than the number of bytes you are replacing.

Return value

String. Returns the string with the bytes replaced if it succeeds and the empty string ("") if it fails.

Usage

If the start position is beyond the end of the string, ReplaceA appends string2 to string1. If there are fewer bytes after the start position than specified in *n*, ReplaceA replaces all the bytes to the right of character start.

If *n* is zero, then in effect ReplaceA inserts string2 into string1.

ReplaceA replaces the functionality that Replace had in DBCS environments in PowerBuilder 9. In SBCS environments, Replace and ReplaceA return the same results.

See also[Replace](#)ReplaceA in Section 2.4.631, “ReplaceA” in *PowerScript Reference***2.4.103 RGB****Description**

Calculates the long value that represents the color specified by numeric values for the red, green, and blue components of the color.

Syntax

```
RGB ( red, green, blue )
```

Table 2.93:

Argument	Description
red	The integer value of the red component of the color
green	The integer value of the green component of the color
blue	The integer value of the blue component of the color

Return value

Long. Returns the long that represents the color created by combining the values specified in red, green, and blue. If an error occurs, RGB returns null.

Usage

The formula for combining the colors is:

$$\text{Red} + (256 * \text{Green}) + (65536 * \text{Blue})$$

Use RGB to obtain the long value required to set the color for text and drawing objects. You can also set an object's color to the long value that represents the color. The RGB function provides an easy way to calculate that value.

Determining color components

The value of a component color is an integer between 0 and 255 that represents the amount of the component that is required to create the color you want. The lower the value, the darker the color; the higher the value, the lighter the color.

The following table lists red, green, and blue values for the 16 standard colors:

Table 2.94:

Color	Red value	Green value	Blue value
Black	0	0	0
White	255	255	255
Light Gray	192	192	192
Dark Gray	128	128	128
Red	255	0	0

Color	Red value	Green value	Blue value
Dark Red	128	0	0
Green	0	255	0
Dark Green	0	128	0
Blue	0	0	255
Dark Blue	0	0	128
Magenta	255	0	255
Dark Magenta	128	0	128
Cyan	0	255	255
Dark Cyan	0	128	128
Yellow	255	255	0
Brown	128	128	0

Examples

This expression returns as a long 8421376, which represents dark cyan:

```
RGB(0,128,128)
```

This expression for the Background.Color property of a salary column returns a long that represents red if an employee's salary is greater than \$50,000 and white if salary is less than or equal to \$50,000:

```
If(salary>50000, RGB(255,0,0), RGB(255,255,255))
```

See also

[Example 3: creating a row indicator](#)

RGB in Section 2.4.648, “RGB” in *PowerScript Reference*

2.4.104 RichText

Description

Takes as argument a string expression interpreted as RTF and renders it as such. If the argument is not RTF nothing is rendered.

Syntax

```
RichText ( string )
```

Table 2.95:

Argument	Description
string	The string expression to render as RTF

Return value

None.

Examples

This expression displays the contents of the short_desc column's as rich text.

```
RichText( short_desc )
```

2.4.105 RichTextFile

Description

Takes as argument a string expression interpreted as a RTF file name and renders the contents. If the argument is not a RTF file nothing is rendered.

Syntax

```
RichTextFile ( string )
```

Table 2.96:

Argument	Description
string	The string expression to render as RTF file

Return value

None.

Examples

This expression displays the contents of the richtext.rtf file as rich text.

```
RichTextFile("richtext.rtf")
```

2.4.106 Right

Description

Obtains a specified number of characters from the end of a string.

Syntax

```
Right ( string, n )
```

Table 2.97:

Argument	Description
string	The string from which you want characters returned
n	A long whose value is the number of characters you want returned from the right end of string

Return value

String. Returns the rightmost n characters in string if it succeeds and the empty string ("") if an error occurs.

If n is greater than or equal to the length of the string, Right returns the entire string. It does not add spaces to make the return value's length equal to n.

Examples

This expression returns HILL:

```
Right("CASTLE HILL", 4)
```

This expression returns CASTLE HILL:

```
Right("CASTLE HILL", 75)
```

See also

[Left](#)

[Mid](#)

[Pos](#)

Right in Section 2.4.649, “Right” in *PowerScript Reference*

2.4.107 RightA

Description

Obtains a specified number of characters from the end of a string.

Syntax

```
Right ( string, n )
```

Table 2.98:

Argument	Description
string	The string from which you want characters returned
n	A long whose value is the number of characters you want returned from the right end of string

Return value

String. Returns the rightmost n characters in string if it succeeds and the empty string ("") if an error occurs.

If n is greater than or equal to the length of the string, RightA returns the entire string. It does not add spaces to make the return value's length equal to n.

Usage

RightA replaces the functionality that Right had in DBCS environments in PowerBuilder 9. In SBCS environments, Right and RightA return the same results.

See also

[LeftA](#)

[MidA](#)

[PosA](#)

[Right](#)

2.4.108 RightTrim

Description

Removes spaces from the end of a string.

Syntax

```
RightTrim ( string )
```

Table 2.99:

Argument	Description
string	The string you want returned with trailing blanks deleted

Return value

String. Returns a copy of string with trailing blanks deleted if it succeeds and the empty string ("") if an error occurs.

Examples

This expression returns RUTH:

```
RightTrim("RUTH ")
```

See also

[LeftTrim](#)

[Trim](#)

RightTrim in Section 2.4.652, “RightTrim” in *PowerScript Reference*

2.4.109 Round

Description

Rounds a number to the specified number of decimal places.

Syntax

```
Round ( x , n )
```

Table 2.100:

Argument	Description
x	The number you want to round.
n	The number of decimal places to which you want to round x. Valid values are 0 through 28.

Return value

Decimal. If n is positive, Round returns x rounded to the specified number of decimal places. If n is negative, it returns x rounded to (- n +1) places before the decimal point. Returns -1 if it fails.

Examples

This expression returns 9.62:

```
Round(9.624, 2)
```


This expression returns 9.63:

```
Round(9.625, 2)
```

This expression returns 9.600:

```
Round(9.6, 3)
```

This expression returns -9.63:

```
Round(-9.625, 2)
```

This expression returns -10:

```
Round(-9.625, -1)
```

See also

[Ceiling](#)

[Int](#)

[Truncate](#)

Round in Section 2.4.656, “Round” in *PowerScript Reference*

2.4.110 RowCount

Description

Obtains the number of rows that are currently available in the primary buffer.

Syntax

```
RowCount ( )
```

Return value

Long. Returns the number of rows that are currently available, 0 if no rows are currently available, and -1 if an error occurs.

Examples

This expression in a computed field returns a warning if no data exists and the number of rows if there is data:

```
If(RowCount() = 0, "No Data", String(RowCount()))
```

See also

[RowCount](#)

2.4.111 RowHeight

Description

Reports the height of a row associated with a band in a DataWindow object.

Syntax

```
RowHeight ( )
```

Return value

Long. Returns the height of the row in the units specified for the DataWindow object if it succeeds, and -1 if an error occurs.

Usage

When you call RowHeight in a band other than the detail band, it reports on a row in the detail band. See [GetRow](#) for a table specifying which row is associated with each band for reporting purposes.

When a band has Autosize Height set to true, you should avoid using the RowHeight DataWindow expression function to set the height of any element in the row. Doing so can result in a logical inconsistency between the height of the row and the height of the element. If you need to use RowHeight, you must set the Y coordinate of the element to 0 on the Position page in the Properties view, otherwise the bottom of the element might be clipped. You must do this for every element that uses such an expression. If you move any elements in the band, make sure that their Y coordinates are still set to 0.

You should not use an expression whose runtime value is greater than the value returned by RowHeight. For example, you should not set the height of a column to rowheight() + 30. Such an expression produces unpredictable results at runtime.

Examples

This expression for a computed field in the detail band displays the height of each row:

```
RowHeight()
```

See also

[GetRow](#)

2.4.112 Second

Description

Obtains the number of seconds in the seconds portion of a time value.

Syntax

```
Second ( time )
```

Table 2.101:

Argument	Description
time	The time value from which you want the seconds

Return value

Integer. Returns the seconds portion of time (00 to 59).

Examples

This expression returns 31:

```
Second(19:01:31)
```

See also

[Hour](#)

[Minute](#)

Second in Section 2.4.671, “Second” in *PowerScript Reference*

2.4.113 SecondsAfter**Description**

Gets the number of seconds one time occurs after another.

Syntax

```
SecondsAfter ( time1, time2 )
```

Table 2.102:

Argument	Description
time1	A time value that is the start time of the interval being measured
time2	A time value that is the end time of the interval

Return value

Long. Returns the number of seconds time2 occurs after time1. If time2 occurs before time1, SecondsAfter returns a negative number.

Examples

This expression returns 15:

```
SecondsAfter(21:15:30, 21:15:45)
```

This expression returns -15:

```
SecondsAfter(21:15:45, 21:15:30)
```

This expression returns 0:

```
SecondsAfter(21:15:45, 21:15:45)
```

See also[DaysAfter](#)

SecondsAfter in Section 2.4.672, “SecondsAfter” in *PowerScript Reference*

2.4.114 Sign**Description**

Reports whether the number is negative, zero, or positive by checking its sign.

Syntax

```
Sign ( n )
```

Table 2.103:

Argument	Description
n	The number for which you want to determine the sign

Return value

Integer. Returns a number (-1, 0, or 1) indicating the sign of n.

Examples

This expression returns 1 (the number is positive):

```
Sign(5)
```

This expression returns 0:

```
Sign(0)
```

This expression returns -1 (the number is negative):

```
Sign(-5)
```

See also

Sign in Section 2.4.802, “Sign” in *PowerScript Reference*

2.4.115 Sin**Description**

Calculates the sine of an angle.

Syntax

```
Sin ( n )
```

Table 2.104:

Argument	Description
n	The angle (in radians) for which you want the sine

Return value

Double. Returns the sine of n if it succeeds and -1 if an error occurs.

Examples

This expression returns .8414709848078965:

```
Sin(1)
```

This expression returns 0:

```
Sin(0)
```

This expression returns 0:

```
Sin(pi(1))
```

See also

[Cos](#)

[Pi](#)

[Tan](#)

Sin in Section 2.4.804, “Sin” in *PowerScript Reference*

2.4.116 Small

Description

Finds a small value at a specified ranking in a column (for example, third-smallest, fifth-smallest) and returns the value of another column or expression based on the result.

Syntax

```
Small ( returnexp, column, nbottom { FOR range { DISTINCT { expres1
{, expres2 {, ... } } } } )
```

Table 2.105:

Argument	Description
returnexp	The value you want returned when the small value is found. Returnexp includes a reference to a column, but not necessarily the column that is being evaluated for the small value, so that a value is returned from the same row that contains the small value.
column	The column that contains the small value you are searching for. Column can be a column name or a column number preceded by a pound sign (#). Column can also be an expression that includes a reference to the column. The datatype of column must be numeric.
nbottom	The relationship of the small value to the column's smallest value. For example, when nbottom is 2, Small finds the second-smallest value.
FOR range (optional)	<p>The data that will be included when finding the small value. For most presentation styles, values for range are:</p> <ul style="list-style-type: none"> • ALL -- (Default) The small value of all rows in column. • GROUP n -- The small value of rows in column in the specified group. Specify the keyword GROUP followed by the group number: for example, GROUP 1. • PAGE -- The small value of the rows in column on a page. <p>For Crosstabs, specify CROSSTAB for range:</p> <ul style="list-style-type: none"> • CROSSTAB -- (Crosstabs only) The small value of all rows in column in the crosstab. <p>For Graph and OLE objects, specify one of the following:</p> <ul style="list-style-type: none"> • GRAPH -- (Graphs only) The small value in column in the range specified for the Rows option. • OBJECT -- (OLE objects only) The small value in column in the range specified for the Rows option.
DISTINCT (optional)	Causes Small to consider only the distinct values in column when determining the small value. For a value of column, the first row found with the value is used and other rows that have the same value are ignored.

Argument	Description
expressn (optional)	One or more expressions that you want to evaluate to determine distinct rows. Expressn can be the name of a column, a function, or an expression.

Return value

The datatype of returnexp. Returns the nbottom-smallest value if it succeeds and -1 if an error occurs.

Usage

If you specify range, Small returns the value in returnexp when the value in column is the nbottom-smallest value in range. If you specify DISTINCT, Small returns returnexp when the value in column is the nbottom-smallest value of the distinct values in column, or if you specify expressn, then bottom-smallest for each distinct value of expressn.

For graphs and OLE objects, you do not select the range when you call the function. The range has already been determined by the Rows setting on the Data property page (the Range property), and the aggregation function uses that range.

Settings for Rows include the following:

- For the Graph or OLE presentation style, Rows is always All.
- For Graph controls, Rows can be All, Page, or Group.
- For OLE controls, Rows can be All, Current Row, Page, or Group. The available choices depend on the layer the control occupies.

Min might be faster

If you do not need a return value from another column and you want to find the smallest value (nbottom = 1), use Min; it is faster.

Not in validation rules or filter expressions

You cannot use this or other aggregate functions in validation rules or filter expressions.

Using an aggregate function cancels the effect of setting Retrieve Rows As Needed in the painter. To do the aggregation, a DataWindow object always retrieves all rows.

Examples

These expressions return the names of the salespersons with the three smallest sales (sum_sales is the sum of the sales for each salesperson) in group 2, which might be the salesregion group. Note that sum_sales contains the values being compared, but Small returns a value in the name column:

```
Small(name, sum_sales, 1 for group 2)
Small(name, sum_sales, 2 for group 2)
Small(name, sum_sales, 3 for group 2)
```

This example reports the salesperson with the third-smallest sales, considering only the first entry for each salesperson:

```
Small(name, sum_sales, 3 for all DISTINCT sum_sales)
```

See also

[Large](#)

2.4.117 Space

Description

Builds a string of the specified length whose value consists of spaces.

Syntax

```
Space ( n )
```

Table 2.106:

Argument	Description
n	A long whose value is the length of the string you want filled with spaces

Return value

String. Returns a string filled with n spaces if it succeeds and the empty string ("") if an error occurs.

Examples

This expression for a computed field returns 10 spaces in the computed field if the value of the rating column is Top Secret; otherwise, it returns the value in rating:

```
If(rating = "Top Secret", Space(10), rating)
```

See also

[Fill](#)

Space in Section 2.4.808, “Space” in *PowerScript Reference*

2.4.118 Sqrt

Description

Calculates the square root of a number.

Syntax

```
Sqrt ( n )
```

Table 2.107:

Argument	Description
n	The number for which you want the square root

Return value

Double. Returns the square root of n.

Usage

Sqrt(n) is the same as $n^{.5}$.

Taking the square root of a negative number causes an execution error.

Examples

This expression returns 1.414213562373095:

```
Sqrt ( 2 )
```

This expression results in an error at execution time:

```
Sqrt ( -2 )
```

See also

Sqrt in Section 2.4.809, “Sqrt” in *PowerScript Reference*

2.4.119 StDev

Description

Calculates an estimate of the standard deviation for the specified column. Standard deviation is a measurement of how widely values vary from average.

Syntax

```
StDev ( column { FOR range { DISTINCT { expres1 { , expres2 { , ... } } } } } )
```

Table 2.108:

Argument	Description
column	The column for which you want an estimate for the standard deviation of the values in the rows. Column can be the column name or the column number preceded by a pound sign (#). Column can also be an expression that includes a reference to the column. The datatype of column must be numeric.
FOR range (optional)	<p>The data to be included in the estimate of the standard deviation. For most presentation styles, values for range are:</p> <ul style="list-style-type: none"> • ALL -- (Default) The estimate of the standard deviation for all values in column. • GROUP n -- The estimate of the standard deviation for values in column in the specified group. Specify the keyword GROUP followed by the group number: for example, GROUP 1. • PAGE -- The estimate of the standard deviation for the values in column on a page. <p>For Crosstabs, specify CROSSTAB for range to indicate the standard deviation for all values in column in the crosstab.</p> <p>For Graph objects specify GRAPH and for OLE objects specify OBJECT to indicate the standard deviation for values in column in the range specified for the Rows option.</p>
DISTINCT (optional)	Causes StDev to consider only the distinct values in column when determining the standard deviation. For a value of column, the first row found with the value is used and other rows that have the same value are ignored.

Argument	Description
expressn (optional)	One or more expressions that you want to evaluate to determine distinct rows. Expressn can be the name of a column, a function, or an expression.

Return value

Double. Returns an estimate of the standard deviation for column.

Usage

If you specify range, StDev returns an estimate for the standard deviation of column within range. If you specify DISTINCT, StDev returns an estimate of the standard deviation for the distinct values in column, or if you specify expressn, the estimate of the standard deviation of the rows in column where the value of expressn is distinct.

For graphs and OLE objects, you do not select the range when you call the function. The range has already been determined by the Rows setting on the Data tab page (the Range property), and the aggregation function uses that range. Settings for Rows include the following:

- For the Graph or OLE presentation style, Rows is always All.
- For Graph controls, Rows can be All, Page, or Group.
- For OLE controls, Rows can be All, Current Row, Page, or Group. The available choices depend on the layer the control occupies.

Estimating or calculating actual standard deviation

StDev assumes that the values in column are a sample of the values in the rows in the column in the database table. If you selected all the rows in the column in the DataWindow object's SELECT statement, use StDevP to compute the standard deviation of the population.

Not in validation rules or filter expressions

You cannot use this or other aggregate functions in validation rules or filter expressions.

Using an aggregate function cancels the effect of setting Retrieve Rows As Needed in the painter. To do the aggregation, a DataWindow object always retrieves all rows.

Examples

These examples all assume that the SELECT statement did not retrieve all the rows in the database table. StDev is intended to work with a subset of rows, which is a sample of the full set of data.

This expression returns an estimate for standard deviation of the values in the column named salary:

```
StDev(salary)
```

This expression returns an estimate for standard deviation of the values in the column named salary in group 1:

```
StDev(salary for group 1)
```

This expression returns an estimate for standard deviation of the values in column 4 on the page:

```
StDev(#4 for page)
```

This expression entered in the Value box on the Data tab page in the graph's property sheet returns an estimate for standard deviation of the values in the qty_used column in the graph:

```
StDev(qty_used for graph)
```

This expression for a computed field in a crosstab returns the estimate for standard deviation of the values in the qty_ordered column in the crosstab:

```
StDev(qty_ordered for crosstab)
```

Assuming a DataWindow object displays the order number, amount, and line items for each order, this computed field returns the estimated standard deviation of the order amount for the distinct order numbers:

```
StDev(order_amt for all DISTINCT order_nbr)
```

See also

[StDevP](#)

[Var](#)

2.4.120 StDevP

Description

Calculates the standard deviation for the specified column. Standard deviation is a measurement of how widely values vary from average.

Syntax

```
StDevP ( column { FOR range { DISTINCT { expres1 { , expres2 { , ... } } } } } )
```

Table 2.109:

Argument	Description
column	The column for which you want the standard deviation of the values in the rows. Column can be the column name or the column number preceded by a pound sign (#). Column can also be an expression that includes a reference to the column. The datatype of column must be numeric.
FOR range (optional)	<p>The data to be included in the standard deviation. For most presentation styles, values for range are:</p> <ul style="list-style-type: none"> • ALL -- (Default) The standard deviation for all values in column. • GROUP n -- The standard deviation for values in column in the specified group. Specify the keyword GROUP followed by the group number: for example, GROUP 1. • PAGE -- The standard deviation for the values in column on a page. <p>For Crosstabs, specify CROSSTAB for range to indicate the standard deviation for all values in column in the crosstab.</p>

Argument	Description
	For Graph objects specify GRAPH and for OLE objects specify OBJECT to indicate the standard deviation for values in column in the range specified for the Rows option.
DISTINCT (optional)	Causes StDevP to consider only the distinct values in column when determining the standard deviation. For a value of column, the first row found with the value is used and other rows that have the same value are ignored.
expressn (optional)	One or more expressions that you want to evaluate to determine distinct rows. Expressn can be the name of a column, a function, or an expression.

Return value

Double. Returns the standard deviation for column.

Usage

If you specify range, StDevP returns the standard deviation for column within range. If you specify DISTINCT, StDevP returns an estimate of the standard deviation for the distinct values in column, or if you specify expressn, the estimate of the standard deviation of the rows in column where the value of expressn is distinct.

For graphs and OLE objects, you do not select the range when you call the function. The range has already been determined by the Rows setting on the Data tab page (the Range property), and the aggregation function uses that range. Settings for Rows include the following:

- For the Graph or OLE presentation style, Rows is always All.
- For Graph controls, Rows can be All, Page, or Group.
- For OLE controls, Rows can be All, Current Row, Page, or Group. The available choices depend on the layer the control occupies.

Estimating or calculating actual standard deviation

StDevP assumes that the values in column are the values in all the rows in the column in the database table. If you did not select all rows in the column in the SELECT statement, use StDev to compute an estimate of the standard deviation of a sample.

Not in validation rules or filter expressions

You cannot use this or other aggregate functions in validation rules or filter expressions.

Using an aggregate function cancels the effect of setting Retrieve Rows As Needed in the painter. To do the aggregation, a DataWindow object always retrieves all rows.

Examples

These examples all assume that the SELECT statement retrieved all rows in the database table. StDevP is intended to work with a full set of data, not a subset.

This expression returns the standard deviation of the values in the column named salary:

```
StDevP(salary)
```

This expression returns the standard deviation of the values in group 1 in the column named salary:

```
StDevP(salary for group 1)
```

This expression returns the standard deviation of the values in column 4 on the page:

```
StDevP(#4 for page)
```

This expression entered in the Value box on the Data tab page in the graph's property sheet returns the standard deviation of the values in the qty_ordered column in the graph:

```
StDevP(qty_ordered for graph)
```

This expression for a computed field in a crosstab returns the standard deviation of the values in the qty_ordered column in the crosstab:

```
StDevP(qty_ordered for crosstab)
```

Assuming a DataWindow object displays the order number, amount, and line items for each order, this computed field returns the standard deviation of the order amount for the distinct order numbers:

```
StDevP(order_amt for all DISTINCT order_nbr)
```

See also

[StDev](#)

[VarP](#)

2.4.121 String

Description

Formats data as a string according to a specified display format mask. You can convert and format date, DateTime, numeric, and time data. You can also apply a display format to a string.

Syntax

```
String ( data { , format } )
```

Table 2.110:

Argument	Description
data	The data you want returned as a string with the specified formatting. Data can have a date, DateTime, numeric, time, or string datatype.
format (optional)	A string of the display masks you want to use to format the data. The masks consist of formatting information specific to the datatype of data. If data is type string, format is required. The format string can consist of more than one mask, depending on the datatype of data. Each mask is separated by a semicolon. See Usage for details on each datatype.

Return value

String. Returns data in the specified format if it succeeds and the empty string ("") if the datatype of data does not match the type of display mask specified or format is not a valid mask.

Usage

For date, DateTime, numeric, and time data, the system's default format is used for the returned string if you do not specify a format. For numeric data, the default format is the [General] format.

For string data, a display format mask is required. (Otherwise, the function would have nothing to do.)

The format can consist of one or more masks:

- Formats for date, DateTime, string, and time data can include one or two masks. The first mask is the format for the data; the second mask is the format for a null value.
- Formats for numeric data can have up to four masks. A format with a single mask handles both positive and negative data. If there are additional masks, the first mask is for positive values, and the additional masks are for negative, zero, and null values.

A format can include color specifications.

If the display format does not match the datatype, the attempt to apply the mask produces unpredictable results.

For information on specifying display formats, see Section 6.5.4, "Defining display formats" in *Users Guide*.

When you use String to format a date and the month is displayed as text (for example, when the display format includes "mmm"), the month is in the language of the deployment files available when the application is run. If you have installed localized files in the development environment or on a user's machine, then on that machine the month in the resulting string will be in the language of the localized files.

For information about localized deployment files, see Section 8.1, "Internationalizing an Application" in *Application Techniques*.

Examples

This expression returns Jan 31, 2005:

```
String(2005-01-31, "mmm dd, yyyy")
```

This expression returns Jan 31, 2005 6 hrs and 8 min:

```
String(2005-01-31 06:08:00, 'mmm dd, yyyy, h "hrs and" m "min"')
```

This expression:

```
String(nbr, "0000;(000);****;empty")
```

returns:

0123 if nbr is 123

(123) if nbr is -123

**** if nbr is 0

empty if nbr is null

This expression returns A-B-C:

```
String("ABC", "@-@-@")
```

This expression returns A*B:

```
String("ABC", "@*@")
```

This expression returns ABC:

```
String("ABC", "@@@")
```

This expression returns a space:

```
String("ABC", " ")
```

This expression returns 6 hrs and 8 min:

```
String(06:08:02, 'h "hrs and" m "min"')
```

This expression returns 08:06:04 pm:

```
String(20:06:04, "hh:mm:ss am/pm")
```

This expression returns 8:06:04 am:

```
String(08:06:04, "h:mm:ss am/pm")
```

This expression returns 6:11:25.300000:

```
String(6:11:25.300000, "h:mm:ss.ffffff")
```

See also

String in Section 2.4.819, “String” in *PowerScript Reference*

2.4.122 StripRTF

Description

Removes the rich text formatting from the specified column

Syntax

```
StripRTF ( string )
```

Table 2.111:

Argument	Description
string	The column to be stripped of rich text formatting.

Examples

This expression is used in a compute field expression to remove the formatting from a rich text edit column and display plain text in the compute field.

```
StripRTF(rte_description)
```

2.4.123 Sum

Description

Calculates the sum of the values in the specified column.

Syntax

```
Sum ( column { FOR range { DISTINCT { expres1 { , expres2 { , ... } } } } } )
```

Table 2.112:

Argument	Description
column	The column for which you want the sum of the data values. Column can be the column name or the column number preceded by a pound sign (#). Column can also be an expression that includes a reference to the column. The datatype of column must be numeric.
FOR range (optional)	<p>The data to be included in the sum. For most presentation styles, values for range are:</p> <ul style="list-style-type: none"> • ALL -- (Default) The sum of all values in column. • GROUP n -- The sum of values in column in the specified group. Specify the keyword GROUP followed by the group number: for example, GROUP 1. • PAGE -- The sum of the values in column on a page. <p>For Crosstabs, specify CROSSTAB for range:</p> <ul style="list-style-type: none"> • CROSSTAB -- (Crosstabs only) The sum of all values in column in the crosstab. <p>For Graph and OLE objects, specify one of the following:</p> <ul style="list-style-type: none"> • GRAPH -- (Graphs only) The sum of values in column in the range specified for the Rows option of the graph. • OBJECT -- (OLE objects only) The sum of values in column in the range specified for the Rows option of the OLE object.
DISTINCT (optional)	Causes Sum to consider only the distinct values in column when determining the sum. For a value of column, the first row found with the value is used and other rows that have the same value are ignored.
expressn (optional)	One or more expressions that you want to evaluate to determine distinct rows. Expressn can be the name of a column, a function, or an expression.

Return value

The appropriate numeric datatype. Returns the sum of the data values in column.

Usage

If you specify range, Sum returns the sum of the values in column within range. If you specify DISTINCT, Sum returns the sum of the distinct values in column, or if you specify expressn, the sum of the values of column where the value of expressn is distinct.

For graphs and OLE objects, you do not select the range when you call the function. The range has already been determined by the Rows setting on the Data property page (the

Range property), and the aggregation function uses that range. Settings for Rows include the following:

- For the Graph or OLE presentation style, Rows is always All.
- For Graph controls, Rows can be All, Page, or Group.
- For OLE controls, Rows can be All, Current Row, Page, or Group. The available choices depend on the layer the control occupies.

Null values are ignored and are not included in the calculation.

Not in validation rules or filter expressions

You cannot use this or other aggregate functions in validation rules or filter expressions.

Using an aggregate function cancels the effect of setting Retrieve Rows As Needed in the painter. To do the aggregation, a DataWindow object always retrieves all rows.

Examples

This expression returns the sum of the values in group 1 in the column named salary:

```
Sum(salary for group 1)
```

This expression returns the sum of the values in column 4 on the page:

```
Sum(#4 for page)
```

Assuming a DataWindow object displays the order number, amount, and line items for each order, this computed field returns the sum of the order amount for the distinct order numbers:

```
Sum(order_amt for all DISTINCT order_nbr)
```

See also

[Example 1: counting null values in a column](#)

[Example 2: counting active and terminated employees](#)

2.4.124 Tan

Description

Calculates the tangent of an angle.

Syntax

```
Tan ( n )
```

Table 2.113:

Argument	Description
n	The angle (in radians) for which you want the tangent

Return value

Double. Returns the tangent of n if it succeeds and -1 if an error occurs.

Examples

Both these expressions return 0:

```
Tan(0)
Tan(Pi(1))
```

This expression returns 1.55741:

```
Tan(1)
```

See also

[Cos](#)

[Pi](#)

[Sin](#)

Tan in Section 2.4.830, “Tan” in *PowerScript Reference*

2.4.125 Time

Description

Converts a string to a time datatype.

Syntax

```
Time ( string )
```

Table 2.114:

Argument	Description
string	A string containing a valid time (such as 8 am or 10:25) that you want returned as a time datatype. Only the hour is required; you do not have to include the minutes, seconds, or microseconds of the time or am or pm. The default value for minutes and seconds is 00 and for microseconds is 000000. am or pm is determined automatically.

Return value

Time. Returns the time in string as a time datatype. If string does not contain a valid time, Time returns 00:00:00.

Examples

This expression returns the time datatype for 45 seconds before midnight (23:59:15):

```
Time("23:59:15")
```

This expression for a computed field returns the value in the time_received column as a value of type time if time_received is not the empty string. Otherwise, it returns 00:00:00:

```
If(time_received = "" ,00:00:00, Time(time_received))
```

This example is similar to the previous one, except that it returns 00:00:00 if time_received contains a null value:

```
If(IsNull(time_received), 00:00:00, Time(time_received))
```

See also

Time in Section 2.4.833, “Time” in *PowerScript Reference*

2.4.126 Today

Description

Obtains the system date and time.

Syntax

```
Today ( )
```

Return value

DateTime. Returns the current system date and time.

Usage

To display both the date and the time, a computed field must have a display format that includes the time.

The PowerScript and DataWindow painter versions of the Today function have different datatypes. The return value of the PowerScript Today function is date.

Examples

This expression for a computed field displays the date and time when the display format for the field is "mm/dd/yy hh:mm":

```
Today()
```

See also

[Now](#)

Today in Section 2.4.836, “Today” in *PowerScript Reference*

2.4.127 Trim

Description

Removes leading and trailing spaces from a string.

Syntax

```
Trim ( string )
```

Table 2.115:

Argument	Description
string	The string you want returned with leading and trailing spaces deleted

Return value

String. Returns a copy of string with all leading and trailing spaces deleted if it succeeds and the empty string ("") if an error occurs.

Usage

Trim is useful for removing spaces that a user might have typed before or after newly entered data.

Examples

This expression returns BABE RUTH:

```
Trim(" BABE RUTH ")
```

See also

[LeftTrim](#)

[RightTrim](#)

Trim in Section 2.4.852, “Trim” in *PowerScript Reference*

2.4.128 Truncate

Description

Truncates a number to the specified number of decimal places.

Syntax

```
Truncate ( x, n )
```

Table 2.116:

Argument	Description
x	The number you want to truncate.
n	The number of decimal places to which you want to truncate x. Valid values are 0 through 28.

Return value

The datatype of x. If n is positive, returns x truncated to the specified number of decimal places. If n is negative, returns x truncated to (- n +1) places before the decimal point.

Returns -1 if it fails.

Examples

This expression returns 9.2:

```
Truncate(9.22, 1)
```

This expression returns 9.2:

```
Truncate(9.28, 1)
```

This expression returns 9:

```
Truncate(9.9, 0)
```

This expression returns -9.2:

```
Truncate(-9.29, 1)
```

This expression returns 0:

```
Truncate(9.2, -1)
```

This expression returns 50:

```
Truncate(54, -1)
```

See also[Ceiling](#)[Int](#)[Round](#)

Truncate in Section 2.4.854, “Truncate” in *PowerScript Reference*

2.4.129 Upper**Description**

Converts all characters in a string to uppercase letters.

Syntax

```
Upper ( string )
```

Table 2.117:

Argument	Description
string	The string you want to convert to uppercase letters

Return value

String. Returns string with lowercase letters changed to uppercase if it succeeds and the empty string ("") if an error occurs.

Examples

This expression returns BABE RUTH:

```
Upper("Babe Ruth")
```

See also[Lower](#)

Upper in Section 2.4.862, “Upper” in *PowerScript Reference*

2.4.130 Var**Description**

Calculates an estimate of the variance for the specified column. The variance is the square of the standard deviation.

Syntax

```
Var ( column { FOR range { DISTINCT { expres1 { , expres2 { , ... } } } } } )
```

Table 2.118:

Argument	Description
column	The column for which you want an estimate for the variance of the values in the rows. Column can be the column name or the column number preceded by a pound sign (#). Column can also be an expression that

Argument	Description
	includes a reference to the column. The datatype of column must be numeric.
FOR range (optional)	<p>The data to be included in the estimate of the variance. For most presentation styles, values for range are:</p> <ul style="list-style-type: none"> • ALL -- (Default) The estimate of the variance for all rows in column. • GROUP n -- The estimate of the variance for rows in column in the specified group. Specify the keyword GROUP followed by the group number: for example, GROUP 1. • PAGE -- The estimate of the variance for the rows in column on a page. <p>For Crosstabs, specify CROSSTAB for range:</p> <ul style="list-style-type: none"> • CROSSTAB -- (Crosstabs only) The estimate of the variance for all rows in column in the crosstab. <p>For Graph and OLE objects, specify one of the following:</p> <ul style="list-style-type: none"> • GRAPH -- (Graphs only) The estimate of the variance for rows in column in the range specified for the Rows option. • OBJECT -- (OLE objects only) The estimate of the variance for rows in column in the range specified for the Rows option.
DISTINCT (optional)	Causes Var to consider only the distinct values in column when determining the variance. For a value of column, the first row found with the value is used and other rows that have the same value are ignored.
expressn (optional)	One or more expressions that you want to evaluate to determine distinct rows. Expressn can be the name of a column, a function, or an expression.

Return value

Double or decimal if the arguments are decimal. Returns an estimate for the variance for column. If you specify group, Var returns an estimate for the variance for column within group.

Usage

If you specify range, Var returns an estimate for the variance for column within range. If you specify DISTINCT, Var returns the variance for the distinct values in column, or if you specify expressn, the estimate for the variance of the rows in column where the value of expressn is distinct.

For graphs and OLE objects, you do not select the range when you call the function. The range has already been determined by the Rows setting on the Data property page (the Range property), and the aggregation function uses that range.

Settings for Rows include the following:

- For the Graph or OLE presentation style, Rows is always All.
- For Graph controls, Rows can be All, Page, or Group.
- For OLE controls, Rows can be All, Current Row, Page, or Group. The available choices depend on the layer the control occupies.

Estimating variance or calculating actual variance

Var assumes that the values in column are a sample of the values in rows in the column in the database table. If you select all rows in the column in the SELECT statement, use VarP to compute the variance of a population.

Not in validation rules or filter expressions

You cannot use this or other aggregate functions in validation rules or filter expressions.

Using an aggregate function cancels the effect of setting Retrieve Rows As Needed in the painter. To do the aggregation, a DataWindow object always retrieves all rows.

Examples

These examples all assume that the SELECT statement did not retrieve all of the rows in the database table. Var is intended to work with a subset of rows, which is a sample of the full set of data.

This expression returns an estimate for the variance of the values in the column named salary:

```
Var(salary)
```

This expression returns an estimate for the variance of the values in the column named salary in group 1:

```
Var(salary for group 1)
```

This expression entered in the Value box on the Data property page in the graph's property sheet returns an estimate for the variance of the values in the quantity column in the graph:

```
Var(quantity for graph)
```

This expression for a computed field in a crosstab returns an estimate for the variance of the values in the quantity column in the crosstab:

```
Var(quantity for crosstab)
```

Assuming a DataWindow object displays the order number, amount, and line items for each order, this computed field returns the estimate for the variance of the order amount for the distinct order numbers:

```
Var(order_amt for all DISTINCT order_nbr)
```

See also

[StDev](#)

[VarP](#)

2.4.131 VarP

Description

Calculates the variance for the specified column. The variance is the square of the standard deviation.

Syntax

```
VarP ( column { FOR range { DISTINCT { expres1 { , expres2 { , ... } } } } } )
```

Table 2.119:

Argument	Description
column	The column for which you want the variance of the values in the rows. Column can be the column name or the column number preceded by a pound sign (#). Column can also be an expression that includes a reference to the column. The datatype of column must be numeric.
FOR range (optional)	<p>The data that will be included in the variance. For most presentation styles, values for range are:</p> <ul style="list-style-type: none"> • ALL -- (Default) The variance for all rows in column. • GROUP n -- The variance for rows in column in the specified group. Specify the keyword GROUP followed by the group number: for example, GROUP 1. • PAGE -- The variance for the rows in column on a page. <p>For Crosstabs, specify CROSSTAB for range:</p> <ul style="list-style-type: none"> • CROSSTAB -- (Crosstabs only) The variance for all rows in column in the crosstab. <p>For Graph and OLE objects, specify one of the following:</p> <ul style="list-style-type: none"> • GRAPH -- (Graphs only) The variance for rows in column in the range specified for the Rows option. • OBJECT -- (OLE objects only) The variance for rows in column in the range specified for the Rows option.
DISTINCT (optional)	Causes VarP to consider only the distinct values in column when determining the variance. For a value of column, the first row found with the value is used and other rows that have the same value are ignored.
expressn (optional)	One or more expressions that you want to evaluate to determine distinct rows. Expressn can be the name of a column, a function, or an expression.

Return value

Double or decimal if the arguments are decimal. Returns the variance for column. If you specify group, Var returns the variance for column within range.

Usage

If you specify range, VarP returns the variance for column within range. If you specify DISTINCT, VarP returns the variance for the distinct values in column, or if you specify expresn, the variance of the rows in column where the value of expresn is distinct.

For graphs and OLE objects, you do not select the range when you call the function. The range has already been determined by the Rows setting on the Data property page (the Range property), and the aggregation function uses that range. Settings for Rows include the following:

- For the Graph or OLE presentation style, Rows is always All.
- For Graph controls, Rows can be All, Page, or Group.
- For OLE controls, Rows can be All, Current Row, Page, or Group. The available choices depend on the layer the control occupies.

Estimating variance or calculating actual variance

VarP assumes that the values in column are the values in all rows in the column in the database table. If you did not select all the rows in the column in the SELECT statement, use Var to compute an estimate of the variance of a sample.

Not in validation rules or filter expressions

You cannot use this or other aggregate functions in validation rules or filter expressions.

Using an aggregate function cancels the effect of setting Retrieve Rows As Needed in the painter. To do the aggregation, a DataWindow object always retrieves all rows.

Examples

These examples all assume that the SELECT statement retrieved all rows in the database table. VarP is intended to work with a full set of data, not a subset.

This expression returns the variance of the values in the column named salary:

```
VarP(salary)
```

This expression returns the variance of the values in group 1 in the column named salary:

```
VarP(salary for group 1)
```

This expression returns the variance of the values in column 4 on the page:

```
VarP(#4 for page)
```

This expression entered in the Value box on the Data property page in the graph's property sheet returns the variance of the values in the quantity column in the graph:

```
VarP(quantity for graph)
```

This expression for a computed field in a crosstab returns the variance of the values in the quantity column in the crosstab:

```
VarP(quantity for crosstab)
```


Assuming a DataWindow object displays the order number, amount, and line items for each order, this computed field returns the variance of the order amount for the distinct order numbers:

```
VarP(order_amt for all DISTINCT order_nbr)
```

See also

[StDevP](#)

[Var](#)

2.4.132 WordCap

Description

Sets the first letter of each word in a string to a capital letter and all other letters to lowercase (for example, ROBERT E. LEE would be Robert E. Lee).

Syntax

```
WordCap ( string )
```

Table 2.120:

Argument	Description
string	A string or expression that evaluates to a string that you want to display with initial capital letters (for example, Monday Morning)

Return value

String. Returns string with the first letter of each word set to uppercase and the remaining letters lowercase if it succeeds, and null if an error occurs.

Examples

This expression returns Boston, Massachusetts:

```
WordCap("boston, MASSACHUSETTS")
```

This expression concatenates the characters in the emp_fname and emp_lname columns and makes the first letter of each word uppercase:

```
WordCap(emp_fname + " " + emp_lname)
```

2.4.133 Year

Description

Gets the year of a date value.

Syntax

```
Year ( date )
```

Table 2.121:

Argument	Description
date	The date value from which you want the year

Return value

Integer. Returns an integer whose value is a 4-digit year adapted from the year portion of date if it succeeds and 1900 if an error occurs.

If the year is two digits, then the century is set as follows. If the year is between 00 to 49, the first two digits are 20; if the year is between 50 and 99, the first two digits are 19.

Usage

Obtains the year portion of date. Years from 1000 to 3000 inclusive are handled.

If your data includes dates before 1950, such as birth dates, always specify a 4-digit year so that Year (and other functions, such as Sort) interpret the date as intended.

Regional settings

To make sure you get correct return values for the year, you must verify that yyyy is the Short Date Style for year in the Regional Settings of the user's Control Panel. Your program can check this with the RegistryGet function.

If the setting is not correct, you can ask the user to change it manually or to have the application change it (by calling the RegistrySet function). The user might need to reboot after the setting is changed.

Examples

This expression returns 2005:

```
Year ( 2005-01-31 )
```

See also

[Day](#)

[Month](#)

Year in Section 2.4.877, “Year” in *PowerScript Reference*

3 DataWindow Object Properties

About this chapter

This chapter describes the properties that control the appearance and behavior of a DataWindow object.

3.1 Overview of DataWindow object properties

DataWindow object properties apply to the DataWindow object itself, not to the DataWindow control or DataStore that contains it. There are several ways you can affect the values of DataWindow object properties at runtime:

- Use the general-purpose Describe and Modify methods to get and set property values.
- Use methods that get and set specific properties.
- Use methods that get and set specific properties.
- For many properties, enter expressions in the painter that set properties conditionally at runtime.
- You can use the SyntaxFromSQL method on a transaction object to generate DataWindow source code that sets some DataWindow properties. You can use the generated code in the Create method to create new DataWindows.

Summary tables in the first part of this chapter

The tables in [Controls in a DataWindow and their properties](#) list the properties for each control within a DataWindow object, with short descriptions. There are also tables for SyntaxFromSql object keywords. After the first table of DataWindow properties, the tables are alphabetical by control and keyword name.

The tables include check mark columns that identify whether you can use that property with Modify (M) or SyntaxFromSql (S). When (exp) is included in the description, you can specify a DataWindow expression as the value for that property. A DataWindow expression lets you specify conditions for determining the property value.

You can get the value of all properties in all tables

At runtime, you can use Describe or dot notation to get the value of all properties listed in all tables.

Alphabetical reference list in the second part of this chapter

The second half of this chapter is an alphabetical list of properties with descriptions, syntax, and examples. When you find a property you want to use in the first part, look up the property in the alphabetical list to find the specific syntax you need to use. In the tables that describe the property values, (exp) again indicates that you can use a DataWindow expression for the value.

Accessing properties in different DataWindow environments

The property reference has syntax for Describe and Modify and for PowerBuilder dot notation.

Examples and quoted strings

The only examples given are PowerBuilder examples. However, the arguments for Describe and Modify are quoted strings that are generally valid in all environments. If the strings include nested quotes, see [Nested strings and special characters for DataWindow object properties](#) for information on the appropriate escape character in each environment.

For more information and examples of setting properties, see:

- [Accessing DataWindow Object Properties in Code](#)
- [Describe](#) and [Modify](#) methods in [Methods for the DataWindow Control](#)
- SyntaxFromSql method in Section 2.4.826, “SyntaxFromSQL” in *PowerScript Reference*

3.2 Controls in a DataWindow and their properties

The tables in this section list the properties that apply to DataWindow objects and SyntaxFromSql (Group, Style, and Title) keywords.

Table 3.1:

Topic for DataWindow objects and keywords
Properties for the DataWindow object
Properties for Button controls in DataWindow objects
Properties for Column controls in DataWindow objects
Properties for Computed Field controls in DataWindow objects
Properties for Graph controls in DataWindow objects
Properties for GroupBox controls in DataWindow objects
Properties for the Group keyword
Properties for InkPicture controls in DataWindow objects
Properties for Line controls in DataWindow objects
Properties for OLE Object controls in DataWindow objects
Properties for Oval, Rectangle, and RoundRectangle controls in DataWindow objects
Additional properties for RoundRectangle controls in DataWindow objects
Properties for Picture controls in DataWindow objects
Properties for Report controls in DataWindow objects
Properties for the Style keyword
Properties for TableBlob controls in DataWindow objects
Properties for Text controls in DataWindow objects
Title keyword

3.2.1 Properties for the DataWindow object

An x in the M (Modify) column means you can change the property. An x in the S column means you can use the property with the SyntaxFromSql method. When (exp) is included in the description, you can specify a DataWindow expression as the value for that property.

Obsolete feature

An obsolete feature means a feature that is available, but is no longer eligible for technical support and will no longer be enhanced.

Table 3.2:

Property for the DataWindow	M	S	Description
Attributes			All general properties.
Bands			List of bands.
Bandname.property	x		Color, height, and so on for a band, where bandname is Detail, Footer, Header, Summary, Trailer, or TreeView.Level.
Bandname.Text	x		Rich text content where bandname is Detail, Footer, or Header.
Brushmode	x		Setting used for background or primary gradient.
Color	x	x	Background color.
Column.Count			Number of columns.
Crosstab.property	x		Settings for a crosstab DataWindow.
CSSGen.property	x		Settings that specify the physical path to which a generated CSS style sheet is published and the URL where the style sheet is located. Obsolete property This property is obsolete because the Web DataWindow technology is obsolete.
Data			Description of data.
Data.HTML			Description of the data and format of the DataWindow in HTML format. Obsolete property This property is obsolete because the Web DataWindow technology is obsolete.
Data.HTMLTable			Description of the data in the DataWindow in HTML table format. Obsolete property This property is obsolete because the Web DataWindow technology is obsolete.
Data.XHTML			A string containing the row data content of the DataWindow object in XHTML format. Obsolete property This property is obsolete because the Web DataWindow technology is obsolete.

Property for the DataWindow	M	S	Description
Data.XML			A string containing the row data content of the DataWindow object in XML format.
Data.XMLDTD			A string containing the full document type definition (DTD) of the XML output for a DataWindow object.
Data.XMLSchema			A string containing the full schema of the XML output of a DataWindow object.
Data.XMLWeb			A string containing browser-specific JavaScript that performs the XSLT transformation on the browser after the XML Web DataWindow generator generates all necessary components. Obsolete property This property is obsolete because the Web DataWindow technology is obsolete.
Data.XSLFO			A string containing XSL Formatting Objects (XSL-FO) that represents the data and presentation of the DataWindow object.
Detail.property	x		Color, height, and so on for the detail band.
EditMask.property	x		Settings for EditMask edit style.
Export.PDF.Distill.CustomPostScript	x		Setting that enables you to specify the PostScript printer driver settings used when data is exported to PDF using the Distill! method.
Export.PDF.Method	x		Setting that determines whether data is exported to PDF from a DataWindow object by printing to a PostScript file and distilling to PDF, or by saving in XSL Formatting Objects (XSL-FO) format and processing to PDF.
Export.PDF.NativePDF.Author	x		Setting that enables you to specify the author for the PDF file when using the PDFlib method to print data from a DataWindow object to a PDF file.
Export.PDF.NativePDF.CustomOrientation	x		Setting that enables you to specify the page orientation when using the PDFlib method to print data from a DataWindow object to a PDF file.
Export.PDF.NativePDF.CustomSize	x		Setting that enables you to specify the paper size when using the PDFlib method to print data from a DataWindow object to a PDF file.
Export.PDF.NativePDF.ImageFormat	x		Setting that enables you to select a format for images in the PDF file when you use the PDFlib method to save data from a DataWindow object to a PDF file.

Property for the DataWindow	M	S	Description
Export.PDF.NativePDF.Keywords			Setting that enables you to specify the keywords for the PDF file when using the PDFlib method to print data from a DataWindow object to a PDF file.
Export.PDF.NativePDF.MasterPassword			Setting that enables you to set a password for the administration permissions -- print, copy, edit, etc. -- to the generated PDF file, when you use the PDFlib method to save data from a DataWindow object to a PDF file.
Export.PDF.NativePDF.PDFStandard			Setting that enables you to select a PDF conformance level when you use the PDFlib method to save data from a DataWindow object to a PDF file.
Export.PDF.NativePDF.Restrictions			Setting that enables you to set the permissions (including copying/printing/editing) of the generated PDF file, when you use the PDFlib method to save data from a DataWindow object to a PDF file.
Export.PDF.NativePDF.Subject			Setting that enables you to specify the subject for the PDF file when using the PDFlib method to print data from a DataWindow object to a PDF file.
Export.PDF.NativePDF.UserPassword			Setting that enables you to set a password for opening the generated PDF file, when you use the PDFlib method to save data from a DataWindow object to a PDF file.
Export.PDF.NativePDF.UsePrintSpecifications			Setting that enables you to use the page orientation and paper size settings in the Print Specifications tab or in the Print.Orientation and Print.Paper.Size properties, when you use the PDFlib method to save data from a DataWindow object to a PDF file.
Export.PDF.XSLFOP.Print			Setting that enables you to send a DataWindow object directly to a printer using platform-independent Java printing when using the XSL-FO method to export to PDF. This is an option of the Apache FOP processor.
Export.XHTML.TemplateCount			The number of XHTML export templates associated with a DataWindow object.
Export.XHTML.Template[].Name			The name of an XHTML export template associated with a DataWindow object.
Export.XHTML.UseTemplate			Setting that optionally controls the logical structure of the XHTML generated by a DataWindow object from a DataWindow data expression using dot notation.
Export.XML.HeadGroups			Setting that causes elements, attributes, and all other items above the Detail Start element in an XML export template for a group DataWindow to be iterated for each group in the exported XML.

Property for the DataWindow	M	S	Description
Export.XML.IncludeWhitespace	x		Setting that determines whether the XML document is formatted by inserting whitespace characters (carriage returns, linefeeds, tabs, and spacebar spaces).
Export.XML.MetadataType			Setting that controls the type of metadata generated with the XML exported from a DataWindow object using the SaveAs method or a .Data.XML expression.
Export.XML.SaveMetadata			Setting that controls the storage format for the metadata generated with the XML exported from a DataWindow object using the SaveAs method or a .Data.XML expression.
Export.XML.TemplateCount			The number of XML export templates associated with a DataWindow object.
Export.XML.Template[].Name			The name of an XML export template associated with a DataWindow object.
Export.XML.UseTemplate			Setting that optionally controls the logical structure of the XML exported from a DataWindow object using the SaveAs method or the .Data.XML property.
FirstRowOnPage			The row number of the first displayed row.
Font.Bias	x		Treat fonts as display or printer.
Footer.property	x		Color, height, and so on for the footer band (see Bandname.property in this table).
Gradient.property	x		Settings that control the gradient display in a DataWindow object.
Grid.ColumnMove	x		Whether the user can drag to reposition columns.
Grid.Lines	x		Options for lines in grid DataWindow and crosstab.
Header.#.property	x		Color, height, and so on for a group's header band.
Header.property	x		Color, height, and so on for the header band.
Help.property	x		Help settings for DataWindow actions.
HideGrayLine	x		Whether a gray line displays at page boundaries.
HorizontalScrollMaximum			Width of scroll box in the horizontal scroll bar.
HorizontalScrollMaximum2			Width of second scroll box when scroll bar is split.
HorizontalScrollPosition	x		Position of the scroll box in the scroll bar.
HorizontalScrollPosition2	x		Position of scroll box in second split scroll bar.
HorizontalScrollSplit	x		The position of the split in the scroll bar.
HTMLDW	x		(exp) Whether HTML for the DataWindow is interactive and coordinated with a server component for retrievals and updates. Obsolete property

Property for the DataWindow	M	S	Description
			This property is obsolete because the Web DataWindow technology is obsolete.
HTMLGen.property	x		(exp) Settings for HTML generation. Obsolete property This property is obsolete because the Web DataWindow technology is obsolete.
HTMLTable.property	x		Settings for the display of DataWindow data when displayed in HTML table format. Obsolete property This property is obsolete because the Web DataWindow technology is obsolete.
Import.XML.Trace	x		Setting that determines whether import trace information is written to a log file.
Import.XML.TraceFile	x		Specifies the name and location of an import trace file.
Import.XML.UseTemplate	x		Setting that optionally controls the logical structure of the XML imported from an XML file to a DataWindow object using the ImportFile method.
JSGen.property	x		Settings that specify the physical path to which generated JavaScript is published and the URL indicating the location of the generated JavaScript. Obsolete property This property is obsolete because the Web DataWindow technology is obsolete.
Label.property	x	x	Settings for the Label presentation style.
LastRowOnPage			The last visible row on the page.
Message.Title	x	x	The title of the dialog box that displays errors.
Nested			Whether the DataWindow has nested reports.
NoUserPrompt	x		Determines whether an error message is displayed to the user.
Objects			The controls in the DataWindow.
OLE.Client.property	x		Settings for the DataWindow as OLE client.
Picture.property	x		Settings that control the background picture display in a DataWindow object.
Pointer	x		(exp) The pointer when over the DataWindow.
Print.Preview.property	x		Various settings for print preview.
Print.property	x	x	Various settings for printing.
Printer	x		The currently selected printer.

Property for the DataWindow	M	S	Description
Processing			Processing required by the presentation style.
QueryMode	x		Whether the DataWindow is in query mode.
QuerySort	x		Whether to sort the result set from the query.
ReadOnly	x		Whether the DataWindow is read-only.
Retrieve.AsNeeded	x		Whether to retrieve data only as needed.
RichText.property	x		Settings for a RichText DataWindow.
Row.Resize	x		Whether user can change the height of rows.
Rows_Per_Detail		x	Number of rows in each column of N-Up style.
Selected	x		List of selected controls.
Selected.Data			List of selected data.
Selected.Mouse	x		Whether user can use the mouse to select.
ShowBackColorOnXP	x		Whether the background color that you select for a button displays on Windows XP.
ShowDefinition	x		(exp) Display column names instead of data.
Sparse	x		(exp) The repeating columns to be suppressed.
Storage			The amount of storage used by DataWindow.
StoragePageSize			The default page size for DataWindow storage.
Summary.property	x		Color, height, and so on for the summary band.
Syntax			The syntax of the DataWindow.
Syntax.Data			The data of the DataWindow in parse format.
Syntax.Modified	x		Whether the syntax has been modified.
Table.property	x		Various settings for the database.
Table.sqlaction.property			Stored procedures for update activity.
Timer Interval	x	x	The milliseconds between timer events.
Transparency (DataWindow objects)	x		Setting that controls the transparency of the background/primary gradient color.
Trailer.#.property	x		Color, height, and so on for a group's trailer band.
Tree.property	x		Settings for a TreeView DataWindow.
Tree.Leaf.TreeNodeIconName			The file name of the tree node icon in the detail band of a TreeView DataWindow.
Tree.Level.#.property			The file name of the icon for a TreeView node in a TreeView level band when the icon is in either the expanded or collapsed state.
Units		x	The unit of measure for the DataWindow.
VerticalScrollMaximum			The height of the scroll box in the scroll bar.

Property for the DataWindow	M	S	Description
VerticalScrollPosition			The position of the scroll box in the scroll bar.
XHTMLGen.Browser			A string that identifies the browser in which XHTML generated within an XSLT style sheet is displayed. Obsolete property This property is obsolete because the Web DataWindow technology is obsolete.
XMLGen.property	x		Settings that specify the physical path to which XML is published and the URL referenced by the JavaScript that transforms the XML to XHTML. Obsolete property This property is obsolete because the Web DataWindow technology is obsolete.
XSLTGen.property	x		Settings that specify the physical path to which the generated XSLT style sheet is published and the URL referenced by the JavaScript that transforms the XML to XHTML. Obsolete property This property is obsolete because the Web DataWindow technology is obsolete.
Zoom	x		The scaling percentage of the DataWindow.

3.2.2 Properties for Button controls in DataWindow objects

An x in the M (Modify) column means you can change the property. When (exp) is included in the description, you can specify a DataWindow expression as the value for that property.

Table 3.3:

Property for a Button	M	Description
AccessibleDescription	x	A description of the control for use by assistive technology tools.
AccessibleName	x	A descriptive label for the control.
AccessibleRole		A description of the kind of user-interface element that the control is.
Background.property	x	Background settings for the button.
Color	x	(exp) The text color.
DefaultPicture	x	Whether or not the action's default picture is to be used on the button (user-defined action has no default picture).
Enabled	x	(exp) Determines whether the control on a DataWindow is enabled.

Property for a Button	M	Description
Filename	x	(exp) Name of the file containing the picture to be used on the button (if not specified, just the text is used).
Font.property	x	(exp) Font settings for the text.
HTextAlign	x	(exp) How the text in the button is horizontally aligned. Values are: 0 (center), 1 (left), 2 (right).
Height	x	(exp) The height of the button control.
HideSnaked	x	Whether the button control appears once per page when printing newspaper columns.
Moveable	x	Whether the user can move the button control.
Name		The name of the button control.
OriginalSize	x	Whether the button image is shown in its original size.
Pointer	x	(exp) The pointer image when it is over the button control.
Resizable	x	Whether the user can resize the button control.
SlideLeft	x	(exp) Whether the button control moves left to fill in empty space.
SlideUp	x	(exp) How the button control moves up to fill in empty space.
SuppressEventProcessing	x	Whether or not ButtonClicked and ButtonClicking events are fired for this particular button.
TabSequence	x	The position of the button in the tab order.
Tag	x	(exp) The tag text for the button control.
Text	x	(exp) The displayed text.
Type		The control's type, which is button.
VTextAlign	x	(exp) How the text in the button is vertically aligned. Values are: 0 (center), 1 (top), 2 (bottom), 3 (multiline).
Visible	x	(exp) Whether the button control is visible.
Width	x	(exp) The width of the button control.
X	x	(exp) The x coordinate of the button control.
Y	x	(exp) The y coordinate of the button control.

3.2.3 Properties for Column controls in DataWindow objects

An x in the M (Modify) column means you can change the property. An x in the S column means you can use the property with the SyntaxFromSQL method. When (exp) is included in the description, you can specify a DataWindow expression as the value for that property.

Table 3.4:

Property for a Column	M	S	Description
AccessibleDescription	x		A description of the control for use by assistive technology tools.
AccessibleName	x		A descriptive label for the control.
AccessibleRole			A description of the kind of user-interface element that the control is.
Accelerator	x		(exp) The accelerator key for the column.
Alignment	x		(exp) The alignment of the column's text.
Attributes			A list of the properties of the column.
Background.property	x	x	(exp) Background settings for the column.
Band			The band containing the column.
BitmapName			Whether the column's content names a picture that will be displayed instead of the text.
Border	x	x	(exp) The type of border around the column.
CheckBox.property	x		Settings for CheckBox edit style.
Color	x	x	(exp) The text color.
ColType			The column's datatype.
Criteria.property	x		Settings for column in Prompt for Criteria dialog box.
dbAlias	x		An alias for the name of the database column.
dbName	x		The name of the database column.
dddw.property	x		Settings for DropDownDataWindow edit style.
ddlb.property	x		Settings for DropDownListBox edit style.
Edit.property	x	x	Settings for Edit edit style.
EditMask.property	x		Settings for EditMask edit style.
Font.property	x	x	(exp) Font settings for the column text.
Format	x		(exp) The column's display format.
Height	x		(exp) The height of the column.
Height.AutoSize	x		Whether column height is adjusted to fit the data.
Height.HasMinHeight	x		Whether the column should maintain its minimum height.
HideSnaked	x		Whether the control appears once per page when printing newspaper columns.
HTML.property	x		(exp) Settings for creating hyperlinks for column data.
Identity	x		Whether the DBMS sets the column's value.
ID			The number of the column.

Property for a Column	M	S	Description
Ink.property	x		Settings for Ink attributes of the InkEdit edit style.
InkEdit.property	x		Settings for InkEdit edit style.
Initial	x		The initial value in the column for a new row.
Key	x		Whether column is part of the table's primary key.
Moveable	x		Whether the user can move the column.
Name			The name of the column.
Pointer	x		(exp) The pointer's image when it is over the column.
Protect	x		(exp) Whether the column is protected from changes.
RadioButtons.property	x		Settings for RadioButton edit style.
Resizable	x		Whether the user can resize the column.
RichEdit.property	x		Settings for RichText edit style.
RightToLeft	x		Whether the column is set for right-to-left reading.
SlideLeft	x		(exp) Whether the column moves left to fill in space.
SlideUp	x		(exp) How the column moves up to fill in space.
TabSequence	x		The position of the column in the tab order.
Tag	x		(exp) The tag text for the column.
Type			The control's type, which is Column.
Update	x		Whether the column is updatable.
Validation	x		(exp) The validation expression for the column.
ValidationMsg	x		(exp) The message displayed when validation fails.
Values (for columns)	x		The values in the column's code table.
Visible	x		(exp) Whether the column control is visible.
Width	x		(exp) The width of the column.
Width.Autosize	x		In Grid style DataWindows, determines whether the column's width adjusts according to the data it contains.
X	x		(exp) The x coordinate of the column.
Y	x		(exp) The y coordinate of the column.

3.2.4 Properties for Computed Field controls in DataWindow objects

An x in the M (Modify) column means you can change the property. When (exp) is included in the description, you can specify a DataWindow expression as the value for that property.

Table 3.5:

Property for a computed field	M	Description
AccessibleDescription	x	A description of the control for use by assistive technology tools.
AccessibleName	x	A descriptive label for the control.
AccessibleRole		A description of the kind of user-interface element that the control is.
Alignment	x	(exp) The alignment of the computed field's text.
Attributes		A list of the properties of the computed field.
Background.property	x	(exp) Background settings for the computed field.
Band		The band containing the computed field.
Border	x	(exp) The type of border around the computed field.
Color	x	(exp) The text color.
ColType		The column's datatype.
Enabled	x	(exp) Determines whether the control on a DataWindow is enabled.
Expression	x	The expression for the computed field.
FocusRectangle	x	Determines whether a rectangle displays around the selected control.
Font.property	x	(exp) Font settings for the computed field.
Format	x	(exp) The computed field's display format.
Height	x	(exp) The height of the computed field.
Height.AutoSize	x	Whether the computed field's height is adjusted to fit the data.
Height.HasMinHeight	x	Whether the computed field should maintain its minimum height.
HideSnaked	x	Whether the control appears once per page when printing newspaper columns.
HTML.property	x	(exp) Settings for creating hyperlinks for the computed field.
Moveable	x	Whether the user can move the computed field.
Name		The name of the computed field.
Pointer	x	(exp) The pointer image when it is over the computed field.
Resizable	x	Whether the user can resize the computed field.
SlideLeft	x	(exp) Whether the computed field moves left to fill in space.
SlideUp	x	(exp) How the computed field moves up to fill in empty space.

Property for a computed field	M	Description
TabSequence	x	The position of the computed field in the tab order.
Tag	x	(exp) The tag text for the computed field.
Type		The control's type, which is Compute.
Visible	x	(exp) Whether the computed field control is visible.
Width	x	(exp) The width of the computed field.
X	x	(exp) The x coordinate of the computed field.
Y	x	(exp) The y coordinate of the computed field.

3.2.5 Properties for Graph controls in DataWindow objects

An x in the M (Modify) column means you can change the property. When (exp) is included in the description, you can specify a DataWindow expression as the value for that property.

Table 3.6:

Property for a Graph	M	Description
AccessibleDescription	x	A description of the control for use by assistive technology tools.
AccessibleName	x	A descriptive label for the control.
AccessibleRole		A description of the kind of user-interface element that the control is.
Attributes		A list of the properties of the graph.
Axis	x	(exp) List of items (categories, series, or values) for the axis.
Axis.property	x	(exp) Properties for a graph axis.
Axis.DispAttr	x	(exp) Display properties for an axis (see DispAttr.fontproperty in this table).
BackColor	x	(exp) The background color of the graph.
Band		The band containing the graph.
Border	x	(exp) The type of border around the graph.
Category	x	(exp) List of categories for the axis (see Axis in this table).
Category.property	x	(exp) Properties for the Category axis (see Axis.property in this table).
Category.DispAttr	x	(exp) Display properties for the Category axis (see DispAttr.fontproperty in this table).
Color	x	(exp) The text color.
Depth	x	(exp) The depth of a 3D graph.
DispAttr.fontproperty	x	Font settings for various components of the graph.
Elevation	x	(exp) The elevation of a 3D graph.

Property for a Graph	M	Description
Enabled	x	(exp) Determines whether the control on a DataWindow is enabled.
FocusRectangle	x	Determines whether a rectangle displays around the selected control.
GraphType	x	(exp) The type of graph (pie, bar, and so on).
Height	x	(exp) The height of the graph.
HideSnaked	x	Whether the control appears once per page when printing newspaper columns.
Legend	x	(exp) The location of the legend.
Legend.DispAttr.fontproperty	x	(exp) Display properties for the legend.
Moveable	x	Whether the user can move the graph.
Name		The name of the graph control.
OverlapPercent	x	(exp) The overlap between data markers in different series.
Perspective	x	(exp) The distance of the graph from the front of the window.
Pie.DispAttr.fontproperty	x	(exp) Display properties for the pie slice labels.
PlotNullData	x	Whether a continuous line is drawn in a line graph when there is no data.
Pointer	x	(exp) The pointer image when it is over the graph.
Range		The rows in the DataWindow that are included in the graph.
Render3D	x	Whether the graph is rendered in the DirectX 3D style.
Resizable	x	Whether the user can resize the graph.
Rotation	x	(exp) The left-to-right rotation of a 3D graph.
Series	x	(exp) List of series for the axis (see Axis in the table).
Series.property	x	(exp) Properties for the Series axis (see Axis.property in this table).
Series.DispAttr	x	(exp) Display properties for the Series axis (see DispAttr.fontproperty in this table).
ShadeColor	x	(exp) The color of the back edge for 3D data markers.
SizeToDisplay	x	(exp) Whether to size the graph to the display area.
SlideLeft	x	(exp) Whether the graph moves left to fill in empty space.
SlideUp	x	(exp) How the graph moves up to fill in empty space.
Spacing	x	(exp) The gap between categories.
TabSequence	x	The position of the graph in the tab order.
Tag	x	(exp) The tag text for the graph.

Property for a Graph	M	Description
Title	x	(exp) The graph's title.
Title.DispAttr.fontproperty	x	(exp) Display properties for the title.
Type		The control's type, which is graph.
Values	x	(exp) List of values for the axis (see Axis in the table).
Values.property	x	(exp) Properties for the Values axis (see Axis.property in the table).
Values.DispAttr	x	(exp) Display properties for the Values axis (see DispAttr.fontproperty in the table).
Visible	x	(exp) Whether the graph control is visible.
Width	x	(exp) The width of the graph.
X	x	(exp) The x coordinate of the graph.
Y	x	(exp) The y coordinate of the graph.

3.2.6 Properties for GroupBox controls in DataWindow objects

An x in the M (Modify) column means you can change the property. When (exp) is included in the description, you can specify a DataWindow expression as the value for that property.

Table 3.7:

Property for a GroupBox	M	Description
AccessibleDescription	x	A description of the control for use by assistive technology tools.
AccessibleName	x	A descriptive label for the control.
AccessibleRole		A description of the kind of user-interface element that the control is.
Attributes		A list of the properties of the GroupBox control.
Background.property	x	(exp) Background settings for the GroupBox control.
Band		The band containing the GroupBox control.
Border	x	(exp) Border style: 2 (box), 5 (3D lowered), 6 (3D raised).
Color	x	(exp) The text color.
Font.property	x	(exp) Font settings for the text.
Height	x	(exp) The height of the GroupBox control.
HideSnaked	x	Whether the GroupBox control appears once per page when printing newspaper columns.
Moveable	x	Whether the user can move the GroupBox control.
Name		The name of the GroupBox control.
Pointer	x	(exp) The pointer image when it is over the GroupBox control.

Property for a GroupBox	M	Description
Resizable	x	Whether the user can resize the GroupBox control.
SlideLeft	x	(exp) Whether the GroupBox control moves left to fill in empty space.
SlideUp	x	(exp) How the GroupBox control moves up to fill in empty space.
Tag	x	(exp) The tag text for the GroupBox control.
Text	x	(exp) The displayed text.
Type		The control's type, which is GroupBox.
Visible	x	(exp) Whether the GroupBox control is visible.
Width	x	(exp) The width of the GroupBox control.
X	x	(exp) The x coordinate of the GroupBox control.
Y	x	(exp) The y coordinate of the GroupBox control.

3.2.7 Properties for the Group keyword

You use these properties when generating DataWindow source code with the `SyntaxFromSql` method.

Table 3.8:

Property	Description
NewPage (Group keywords)	Whether a change in a group column's value causes a page break.
ResetPageCount	Whether a new value in a group column restarts page numbering.

3.2.8 Properties for InkPicture controls in DataWindow objects

An x in the M (Modify) column means you can change the property. When (exp) is included in the description, you can specify a DataWindow expression as the value for that property.

Table 3.9:

Property for an InkPicture	M	Description
BackImage		The column containing the background image for the InkPicture.
Band		The band containing the InkPicture.
Border	x	(exp) The type of border around the InkPicture.
Enabled	x	(exp) Whether the control is enabled.
Height	x	(exp) The height of the InkPicture.
Ink.property	x	(exp) Attributes of the ink in the InkPicture.
InkPic.property	x	(exp) Properties that specify the behavior of the InkPicture.

Property for an InkPicture	M	Description
KeyClause	x	(exp) The key clause used when retrieving the blob.
Moveable	x	Whether the user can move the InkPicture.
Name		The name of the InkPicture control.
Pointer	x	(exp) The pointer image when it is over the InkPicture.
Resizable	x	Whether the user can resize the InkPicture.
SlideLeft	x	(exp) Whether the InkPicture moves left to fill in empty space.
Table (for InkPicture and TableBlobs)	x	(exp) The table that contains large binary columns used in the control.
Tag	x	(exp) The tag text for the InkPicture.
Visible	x	(exp) Whether the InkPicture control is visible.
Width	x	(exp) The width of the InkPicture.
X	x	(exp) The x coordinate of the InkPicture.
Y	x	(exp) The y coordinate of the InkPicture.

3.2.9 Properties for Line controls in DataWindow objects

An x in the M (Modify) column means you can change the property. When (exp) is included in the description, you can specify a DataWindow expression as the value for that property.

Table 3.10:

Property for a Line	M	Description
Attributes		A list of the properties of the line.
Background.property	x	(exp) Background settings for the line.
Band		The band containing the line.
HideSnaked	x	Whether the control appears once per page when printing newspaper columns.
Moveable	x	Whether the user can move the line.
Name		The name of the line control.
Pen.property	x	(exp) Appearance settings of the line.
Pointer	x	(exp) The pointer image when it is over the line.
Resizable	x	Whether the user can resize the line.
SlideLeft	x	(exp) Whether the line moves left to fill empty space.
SlideUp	x	(exp) How the line moves up to fill empty space.
Tag	x	(exp) The tag text for the line.
Type		The control's type, which is Line.
Visible	x	(exp) Whether the Line control is visible.
X1, X2	x	(exp) The x coordinate of each end of the line.

Property for a Line	M	Description
Y1, Y2	x	(exp) The y coordinate of each end of the line.

3.2.10 Properties for OLE Object controls in DataWindow objects

An x in the M (Modify) column means you can change the property. When (exp) is included in the description, you can specify a DataWindow expression as the value for that property.

Table 3.11:

Property for OLE Object control	M	Description
Activation	x	The way the OLE Object control is activated.
Attributes		A list of the properties of the OLE Object control.
Band		The band containing the OLE Object control.
BinaryIndex		An internal pointer.
Border	x	(exp) The type of border around the OLE Object control.
ClientName	x	The name of the OLE client in the server window.
ContentsAllowed	x	Whether the control can be embedded, linked, or both.
DisplayType	x	Whether the control displays an icon or contents.
Enabled	x	(exp) Determines whether the control on a DataWindow is enabled.
FocusRectangle	x	Determines whether a rectangle displays around the selected control.
GroupBy	x	(exp) The grouping columns for the transferred data.
Height	x	(exp) The height of the OLE Object control.
HideSnaked	x	Whether the control appears once per page when printing newspaper columns.
LinkUpdateOptions	x	How a linked control is updated.
Moveable	x	Whether the user can move the OLE Object control.
Name		The name of the OLE Object control.
Enabled	x	(exp) Determines whether the control on a DataWindow is enabled.
Pointer	x	(exp) The pointer image when it is over the control.
Range		Method for choosing the rows transferred to the OLE control.
Resizable	x	Whether the user can resize the OLE Object control.
SizeToDisplay	x	(exp) Whether the OLE Object control is automatically sized to the display area.
SlideLeft	x	(exp) Whether the control moves left to fill in space.
SlideUp	x	(exp) How the control moves up to fill in space.

Property for OLE Object control	M	Description
TabSequence	x	The position of the control the tab order.
Tag	x	(exp) The tag text for the control.
Target	x	(exp) The columns or expressions whose data you want to transfer to the OLE Object control.
Type		The control's type, which is OLE.
Visible	x	(exp) Whether the control is visible.
Width	x	(exp) The width of the control.
X	x	(exp) The x coordinate of the control.
Y	x	(exp) The y coordinate of the control.

3.2.11 Properties for Oval, Rectangle, and RoundRectangle controls in DataWindow objects

An x in the M (Modify) column means you can change the property. When (exp) is included in the description, you can specify a DataWindow expression as the value for that property.

Table 3.12:

Property	M	Description
Attributes		A list of the properties of the control.
Background.property	x	(exp) Background settings for the control.
Band		The band containing the control.
Brush.property	x	(exp) Settings for fill pattern and color.
Height	x	(exp) The height of the control.
HideSnaked	x	Whether the control appears once per page when printing newspaper columns.
Moveable	x	Whether the user can move the control.
Name		The name of the control.
Pen.property	x	(exp) Appearance settings of the control.
Pointer	x	(exp) The pointer image when it is over the control.
Resizableable	x	Whether the user can resize the control.
SlideLeft	x	(exp) Whether the control moves left to fill empty space.
SlideUp	x	(exp) How the control moves up to fill empty space.
Tag	x	(exp) The tag text for the control.
Type		The control's type, which is ellipse, rectangle, or roundrectangle.
Visible	x	(exp) Whether the control is visible.
X	x	(exp) The x coordinate of the control.

Property	M	Description
Y	x	(exp) The y coordinate of the control.

3.2.11.1 Additional properties for RoundedRectangle controls in DataWindow objects

An x in the M (Modify) column means you can change the property. When (exp) is included in the description, you can specify a DataWindow expression as the value for that property.

[Properties for Oval, Rectangle, and RoundedRectangle controls in DataWindow objects](#) also apply to RoundedRectangle controls.

Table 3.13:

Property	M	Description
EllipseHeight	x	(exp) The radius of the vertical part of the rounded corner.
EllipseWidth	x	(exp) The radius of the horizontal part of the rounded corner.

3.2.12 Properties for Picture controls in DataWindow objects

An x in the M (Modify) column means you can change the property. When (exp) is included in the description, you can specify a DataWindow expression as the value for that property.

Table 3.14:

Property for a Picture	M	Description
AccessibleDescription	x	A description of the control for use by assistive technology tools.
AccessibleName	x	A descriptive label for the control.
AccessibleRole		A description of the kind of user-interface element that the control is.
Attributes		A list of the properties of the picture.
Band		The band containing the picture.
Border	x	(exp) The type of border around the picture.
Enabled	x	(exp) Determines whether the control on a DataWindow is enabled.
Filename	x	(exp) The file containing the picture.
FocusRectangle	x	Determines whether a rectangle displays around the selected control.
Height	x	(exp) The height of the picture.
HideSnaked	x	Whether the control appears once per page when printing newspaper columns.
HTML.property	x	(exp) Settings for creating a hyperlink for the picture.
Invert	x	(exp) Whether the colors are displayed inverted.
Moveable	x	Whether the user can move the picture.
Name		The name of the picture control.

Property for a Picture	M	Description
OriginalSize	x	Whether the picture is shown in its original size.
Pointer	x	(exp) The pointer image when it is over the picture.
Resizable	x	Whether the user can resize the picture.
SlideLeft	x	(exp) Whether the picture moves left to fill in empty space.
SlideUp	x	(exp) How the picture moves up to fill in empty space.
TabSequence	x	The position of the picture in the tab order.
Tag	x	(exp) The tag text for the picture.
Type		The control's type, which is picture.
Visible	x	(exp) Whether the picture control is visible.
Width	x	(exp) The width of the picture.
X	x	(exp) The x coordinate of the picture.
Y	x	(exp) The y coordinate of the picture.

3.2.13 Properties for Report controls in DataWindow objects

An x in the M (Modify) column means you can change the property. When (exp) is included in the description, you can specify a DataWindow expression as the value for that property.

Table 3.15:

Property for a Report	M	Description
Attributes		A list of the properties of the report.
Band		The band containing the report.
Border	x	(exp) The type of border around the report.
Criteria	x	The search condition of the WHERE clause that relates the report to the main DataWindow.
DataObject	x	The name of the DataWindow that is the nested report.
Height	x	(exp) The height of the report.
Height.AutoSize	x	Whether the height of the control will be adjusted to display all the data.
HideSnaked	x	Whether the control appears once per page when printing newspaper columns.
Moveable	x	Whether the user can move the report.
Name		The name of the Report control.
Nest.Arguments	x	Retrieval arguments for the report.
NewPage (Report controls)	x	Whether to start the report on a new page (composite only).
Pointer	x	(exp) The pointer image when it is over the report.
Resizable	x	Whether the user can resize the report.

Property for a Report	M	Description
SlideLeft	x	(exp) Whether the report moves left to fill in empty space.
SlideUp	x	(exp) How the report moves up to fill in empty space.
ShowBackground	x	Whether the background settings of the report display.
Tag	x	(exp) The tag text for the report.
Trail Footer	x	Where to print the footer (composite only).
Type		The control's type, which is report.
Visible	x	(exp) Whether the Report control is visible.
Width	x	(exp) The width of the report.
X	x	(exp) The x coordinate of the report.
Y	x	(exp) The y coordinate of the report.

3.2.14 Properties for the Style keyword

You use these properties when generating DataWindow source code with the `SyntaxFromSql` method.

Table 3.16:

Property	Description
Detail Bottom Margin	Bottom margin of the detail area.
Detail Top Margin	Top margin of the detail area.
Header Bottom Margin	Bottom margin of the header area.
Header Top Margin	Top margin of the header area.
Horizontal Spread	Horizontal space between columns in the detail area.
Left Margin	The left margin of the DataWindow.
Report	Whether the DataWindow is a read-only report.
Type	The presentation style.
Vertical Size	The height of the columns in the detail area.
Vertical Spread	The vertical space between columns in the detail area.

3.2.15 Properties for TableBlob controls in DataWindow objects

An x in the M (Modify) column means you can change the property. When (exp) is included in the description, you can specify a DataWindow expression as the value for that property.

Table 3.17:

Property for a TableBlob	M	Description
Attributes		A list of the properties of the TableBlob.
Band		The band containing the TableBlob.

Property for a TableBlob	M	Description
Border	x	(exp) The type of border around the TableBlob.
ClientName	x	The name of the OLE client in the server window.
Enabled	x	(exp) Determines whether the control on a DataWindow is enabled.
FocusRectangle	x	Determines whether a rectangle displays around the selected control.
Height	x	(exp) The height of the TableBlob.
HideSnaked	x	Whether the control appears once per page when printing newspaper columns.
ID		The number of the TableBlob.
KeyClause	x	(exp) The key clause used when retrieving the blob.
Moveable	x	Whether the user can move the TableBlob.
Name		The name of the TableBlob.
OLEClass	x	(exp) The name of the TableBlob's OLE column.
Pointer	x	(exp) The pointer image when it is over the TableBlob.
Resizable	x	Whether the user can resize the TableBlob.
SlideLeft	x	(exp) Whether the TableBlob moves left to fill empty space.
SlideUp	x	(exp) How the TableBlob moves up to fill empty space.
TabSequence	x	The position of the control in the tab order.
Tag	x	(exp) The tag text for the control.
Template	x	(exp) The file used to start the OLE application.
Type		The control's type, which is TableBlob.
Visible	x	(exp) Whether the TableBlob is visible.
Width	x	(exp) The width of the TableBlob.
X	x	(exp) The x coordinate of the TableBlob.
Y	x	(exp) The y coordinate of the TableBlob.

3.2.16 Properties for Text controls in DataWindow objects

An x in the M (Modify) column means you can change the property. An x in the S column means you can use the property with the SyntaxFromSQL method. When (exp) is included in the description, you can specify a DataWindow expression as the value for that property.

Table 3.18:

Property for text	M	S	Description
AccessibleDescription	x		A description of the control for use by assistive technology tools.
AccessibleName	x		A descriptive label for the control.

Property for text	M	S	Description
AccessibleRole			A description of the kind of user-interface element that the control is.
Alignment	x	x	The alignment of the text.
Attributes			A list of the properties of the text control.
Background.property	x	x	(exp) Background settings for the text control.
Band			The band containing the text control.
Border	x	x	(exp) The type of border around the text control.
Color	x	x	(exp) The text color.
Enabled	x		(exp) Determines whether the control on a DataWindow is enabled.
FocusRectangle	x		Determines whether a rectangle displays around the select control.
Font.property	x	x	(exp) Font settings for the text.
Height	x		(exp) The height of the text control.
Height.AutoSize	x		Whether the control's height is adjusted to fit the data.
Height.HasMinHeight	x		Whether the control should maintain its minimum height.
HideSnaked	x		Whether the control appears once per page when printing newspaper columns.
HTML.property	x		(exp) Settings for creating a hyperlink for the text.
Moveable	x		Whether the user can move the text control.
Name			The name of the text control.
Pointer	x		(exp) The pointer image when it is over the text control.
Resizable	x		Whether the user can resize the text control.
SlideLeft	x		(exp) Whether the text control moves left to fill space.
SlideUp	x		(exp) How the text control moves up to fill empty space.
TabSequence	x		The position of the text in the tab order.
Tag	x		(exp) The tag text for the text control.
Text	x		(exp) The displayed text.
Type			The control's type, which is Text.
Visible	x		(exp) Whether the control is visible.
Width	x		(exp) The width of the text control.
X	x		(exp) The x coordinate of the text control.
Y	x		(exp) The y coordinate of the text control.

3.2.17 Title keyword

You use this property when generating DataWindow source code with the `SyntaxFromSql` method.

Table 3.19:

Property	Description
<code>Title("string")</code>	The title for the DataWindow.

3.3 Alphabetical list of DataWindow object properties

The properties for DataWindow objects and controls within a DataWindow object follow in alphabetical order.

The simple Visual Basic example shown for most properties can be used in C# by adding a semicolon to the end of each statement.

To see the properties organized by type of control or syntax keyword, see [Controls in a DataWindow and their properties](#).

3.3.1 Accelerator

Description

The accelerator key that a user can press to select a column in the DataWindow object.

Applies to

Column controls

Syntax

PowerBuilder dot notation:

```
dw_control.Object.columnname.Accelerator
```

Describe and Modify argument:

```
"columnname.Accelerator { = 'acceleratorkey ' }"
```

Table 3.20:

Parameter	Description
<code>columnname</code>	The name of the column for which you want to get or set the accelerator key.
<code>acceleratorkey</code>	(exp) A string expression whose value is the letter that will be the accelerator key for <code>columnname</code> . <code>Acceleratorkey</code> can be a quoted DataWindow expression.

Usage

An accelerator key for a column allows users to select a column (change focus) with a keystroke rather than with the mouse. The user changes focus by pressing the accelerator key in combination with the Alt key.

In the painter

Select the control and set the value in the Properties view, Edit tab.

Displaying the accelerator

The column does not display the key. To let users know what key to use, you can include an underlined letter in a text control that labels the column. When you enter the text control's label, precede the character you want underlined with an ampersand (&).

Accelerator keys and edit styles

To use an accelerator key with the CheckBox or RadioButton edit style, select the Edit edit style and specify the accelerator there.

Examples

```
dw1.Object.emp_name.Accelerator = 'A'
ls_data = dw1.Describe("emp_name.Accelerator")
dw1.Modify("emp_name.Accelerator='A' ")
```

3.3.2 AccessibleDescription**Description**

A description of the control and/or its purpose for use by accessibility tools such as readers for visually-impaired users.

Applies to

Column, computed field, picture, text, graph, group box, and button controls

Syntax

PowerBuilder dot notation:

```
dw_control.Object.controlname.AccessibleDescription
```

Describe and Modify argument:

```
"controlname.AccessibleDescription { = 'description ' }"
```

Table 3.21:

Parameter	Description
columnname	The name of the control for which you want to get or set the accessible description
description	(exp) A string that describes the control's purpose or appearance

Usage

You do not need to supply a description if the AccessibleName and AccessibleRole properties adequately describe the control, as in the case of a button with the label OK. You should provide a description for a picture or report control.

In the painter

In the Other tab in the Properties view, type a description in the AccessibleDescription text box.

Examples

```
dw1.Object.b_1.AccessibleDescription = 'Scrolls to Next Row'
strData = dw1.Describe("b_1.AccessibleDescription")
dw1.Modify("b_1.AccessibleDescription='Scrolls to next row'")
```

3.3.3 AccessibleName

Description

A label that briefly describes the control for use by accessibility tools such as readers for visually-impaired users.

Applies to

Column, computed field, picture, text, graph, group box, and button controls

Syntax

PowerBuilder dot notation:

```
dw_control.Object.controlname.AccessibleName
```

Describe and Modify argument:

```
"controlname.AccessibleName { = 'description ' }"
```

Table 3.22:

Parameter	Description
columnname	The name of the control for which you want to get or set the accessible description
description	(exp) A string that briefly describes the control

Usage

The AccessibleName property is a brief description, such as the text in a button or the name of a menu item.

In the painter

In the Other tab in the Properties view, type a name in the AccessibleName text box.

Examples

```
dw1.Object.b_1.AccessibleName = 'Next'
ls_data = dw1.Describe("b_1.AccessibleName")
dw1.Modify("b_1.AccessibleName='Next '")
```

3.3.4 AccessibleRole

Description

A description of the kind of user-interface element that the control is, for use by accessibility tools such as readers for visually-impaired users.

Applies to

Column, computed field, picture, text, graph, group box, and button controls

Syntax

PowerBuilder dot notation:

```
dw_control.Object.controlname.AccessibleRole
```

Describe and Modify argument:

```
"controlname.AccessibleRole { = 'enumeratedvalue ' }"
```

Table 3.23:

Parameter	Description
columnname	The name of the control for which you want to get or set the accessible description
description	(exp) A number specifying the type of AccessibleRole as a numeric value of the AccessibleRole DataWindow constant.

Usage

The description is a member of the AccessibleRole enumerated variable. The default role is defaultrole! and is used when the role cannot be determined.

Table 3.24: AccessibleRole values for DataWindow controls

Control	AccessibleRole
Button	pushbuttonrole!
Column	textrole!
Computed field	statictextrole!
Graph	diagramrole!
Group box	groupingrole!
Picture	graphicrole!
Text	statictextrole!

In the painter

In the Other tab in the Properties view, select a value in the AccessibleRole drop-down list.

Examples

```
ls_data = dw1.Object.b_1.AccessibleRole
ls_data = dw1.Describe("b_1.AccessibleRole")
```

3.3.5 Action

Description

The action a user can assign to a button control.

Applies to

Button controls

Syntax

PowerBuilder dot notation:

`dw_control.Object.buttonname.Action`

Describe and Modify argument:

`"buttonname.Action { = ' value ' }"`**Table 3.25:**

Parameter	Description
buttonname	The name of the button for which you want to assign an action.
value	The action value assigned to the button. Values are listed in the following table.

Table 3.26:

Value	Action	Description	Value returned to ButtonClicked event
0	UserDefine	(Default) Allows for programming of the ButtonClicked and ButtonClicking events with no intervening action occurring.	Return code from the user's coded event script.
1	Retrieve (Yield)	Retrieves rows from the database. Before retrieval actually occurs, option to yield is turned on. This allows the Cancel action to take effect during a long retrieve.	Number of rows retrieved.
2	Retrieve	Retrieves rows from the database. The option to yield is not automatically turned on.	Number of rows retrieved.
3	Cancel	Cancels a retrieval that has been started with the option to yield.	0
4	PageNext	Scrolls to the next page.	The row displayed at the top of the DataWindow control when the scrolling is complete or attempts to go past the first row. -1 if an error occurs.
5	PagePrior	Scrolls to the prior page.	The row displayed at the top of the DataWindow control when the scrolling is complete or attempts to go past the first row.

Value	Action	Description	Value returned to ButtonClicked event
			-1 if an error occurs.
6	PageFirst	Scrolls to the first page.	1 if successful. -1 if an error occurs.
7	PageLast	Scrolls to the last page.	The row displayed at the top of the DataWindow control when the scrolling is complete or attempts to go past the first row. -1 if an error occurs.
8	Sort	Displays Sort dialog box and sorts as specified.	1 if successful. -1 if an error occurs.
9	Filter	Displays Filter dialog box and filters as specified.	Number of rows filtered. Number < 0 if an error occurs.
10	DeleteRow	If button is in detail band, deletes row associated with button; otherwise, deletes the current row.	1 if successful. -1 if an error occurs.
11	AppendRow	Inserts row at the end.	Row number of newly inserted row.
12	InsertRow	If button is in detail band, inserts row using row number associated with the button; otherwise, inserts row using the current row.	Row number of newly inserted row.
13	Update	Saves changes to the database. If the update is successful, a COMMIT is issued. If the update fails, a ROLLBACK is issued	1 if successful. -1 if an error occurs.
14	SaveRowsAs	Displays Save As dialog box and saves rows in the format specified.	Number of rows filtered.
15	Print	Prints one copy of the DataWindow object.	0
16	Preview	Toggles between preview and print preview.	0
17	PreviewWithRulers	Toggles between rulers on and off.	0
18	QueryMode	Toggles between query mode on and off.	0
19	QuerySort	Specifies sorting criteria (forces query mode on).	0
20	QueryClear	Removes the WHERE clause from a query (if one was defined).	0

Usage

In the painter

Select the control and set the value in the Properties view, General tab.

Examples

```

dw1.Object.b_retrieve.Action = "2"
setting = dw1.Describe("b_retrieve.Action")
dw1.Modify("b_retrieve.Action = '2'")

```

3.3.6 Activation

Description

The way the server for the OLE object in the OLE Object control is activated. Choices include letting the user activate the object by double-clicking or putting activation under program control.

Applies to

OLE Object controls

Syntax

PowerBuilder dot notation:

```
dw_control.Object.olecontrolname.Activation
```

Describe and Modify argument:

```
"olecontrolname.Activation { = ' activationtype ' }"
```

Table 3.27:

Parameter	Description
olecontrolname	The name of the OLE Object control for which you want to get or set the activation method.
activationtype	(exp) A number specifying the method of activation for the OLE object. Activationtype can be a quoted DataWindow expression. Values are: 0 -- The object has to be activated with the Activate method. 1 -- The user can activate the object by double-clicking on it. 2 -- The object activates when the container gets focus.

Usage

In the painter

Select the control and set the value in the Properties view, Options tab.

Examples

```

dw1.Object.ole_report.Activation
ls_data = dw1.Describe("ole_report.Activation")

```

```
dw1.Modify("ole_report.Activation='2' ")
```

3.3.7 Alignment

Description

The alignment of the control's text within its borders.

Applies to

Column, Computed Field, and Text controls

Syntax

PowerBuilder dot notation:

```
dw_control.Object.controlname.Alignment
```

Describe and Modify argument:

```
"controlname.Alignment { = ' alignmentvalue ' }"
```

SyntaxFromSql:

```
Text ( ... Alignment = alignmentvalue ... )
```

Table 3.28:

Parameter	Description
controlname	The name of the control for which you want to get or set the alignment.
alignmentvalue	<p>(exp) A number specifying the type of alignment for the text of controlname. Alignmentvalue can be a quoted DataWindow expression.</p> <p>Values are:</p> <p>0 -- (Default) Left</p> <p>1 -- Right</p> <p>2 -- Center</p> <p>3 -- Justified</p> <p>When generating DataWindow syntax with SyntaxFromSql, the setting for Alignment applies to all text controls used as column labels.</p>

Usage

When you select justified, the last line of text is not stretched to fill the line. Controls with only one line of text look left aligned.

In the painter

Select the control and set the value using:

- Properties view, General tab
- StyleBar

Examples

```
dw1.Object.emp_name_t.Alignment = 2
ls_data = dw1.Describe("emp_name.Alignment")
dw1.Modify("emp_name_t.Alignment='2'")
```

3.3.8 Arguments

Description

The retrieval arguments required by the data source. You specify retrieval arguments in the DataWindow's SELECT statement and you provide values for the retrieval arguments when you call the Retrieve method.

Applies to

Database table for the DataWindow object

Not settable in PowerScript. Used in DataWindow syntax.

Syntax

```
Table(Arguments = ( (name1, type), (name2, type) ... ) ... )
```

Table 3.29:

Parameter	Description
name	The name of the retrieval argument
type	The type of the argument: <ul style="list-style-type: none"> • Date or a Date list • DateTime or a DateTime list • Number or a Number list • String or a String list • Time or a Time list

Usage

In the painter

Set the value in the SQL Select painter or Query painter.

Open the SQL Select painter by selecting Design>Data Source from the menu bar in the DataWindow painter, or create or open a query in the Query painter. Then select Design>Retrieval Arguments.

3.3.9 Attributes

Description

A tab-separated list of all the properties that apply to a control.

Applies to

DataWindow, Button, Column, Computed Field, Graph, GroupBox, Line, OLE, Oval, Picture, Rectangle, Report, RoundedRectangle, TableBlob, and Text controls

Syntax

PowerBuilder dot notation:

```
dw_control.Object.controlname.Attributes
```

Describe argument:

```
"controlname.Attributes"
```

Examples

```
ls_data = dw1.Object.emp_name_t.Attributes
ls_data = dw1.Describe("DataWindow.Attributes")
ls_data = dw1.Describe("emp_name_t.Attributes")
```

3.3.10 Axis**Description**

The list of items or the expression associated with an axis of a graph. Each item is separated by a comma. You can ask for the list of categories on the Category axis, the series on the Series axis, or the values on the Values axis.

Applies to

Graph controls

Syntax

PowerBuilder dot notation:

```
dw_control.Object.graphname.axis
```

Describe and Modify argument:

```
"graphname.axis { = 'list ' }"
```

Table 3.30:

Parameter	Description
graphname	The name of the graph within the DataWindow object for which you want to get or set the list of items for axis.
axis	An axis name. Values are: <ul style="list-style-type: none"> • Category • Series • Values

Parameter	Description
list	A string listing the categories, series, or values for the graph. The content of the list depends on the axis you specify. The items in the list are separated by commas. List is quoted.

Usage

In the painter

Select the graph control and set the value by selecting a column or expression for each axis in the Properties view, Data tab.

Examples

```
ls_data = dw1.Object.gr_1.Values
dw1.Object.gr_1.Series = "Actual, Budget"
ls_data = dw1.Describe("gr1.Category")
ls_data = dw1.Describe("gr1.Series")
ls_data = dw1.Describe("gr1.Values")
dw1.Modify("gr1.Series='Actual, Budget'")
```

3.3.11 Axis.property

Description

Settings that control the appearance of an axis on a graph.

Applies to

Graph controls

Syntax

PowerBuilder dot notation:

```
dw_control.Object.graphname.axis.property
```

Describe and Modify argument:

```
"graphname.axis.property { = value }"
```

Table 3.31:

Parameter	Description
graphname	The name of the graph within the DataWindow object for which you want to get or set a property value for an axis.
axis	An axis name. Values are: <ul style="list-style-type: none"> • Category • Series • Values
property	A property for the axis. Properties and their settings are listed in the table that follows.
value	The value to be assigned to the property. For axis properties, value can be a quoted DataWindow expression.

Table 3.32:

Property for Axis	Value
AutoScale	<p>(exp) A boolean number specifying whether PowerBuilder scales the axis automatically. Enabled when the axis displays nonstring data.</p> <p>Values are:</p> <p>0 -- No, do not automatically scale the axis.</p> <p>1 -- Yes, automatically scale the axis.</p> <p>Painter: Axis tab, Scale group.</p>
DispAttr. fontproperty	<p>(exp) Properties that control the appearance of the text that labels the axis divisions.</p> <p>For a list of font properties, see the main entry for DispAttr.fontproperty.</p> <p>Painter: Text tab. Choose Category Axis Text, Series Axis Text, or Values Axis Text, and set font properties.</p>
DisplayEveryNLabels	<p>(exp) An integer specifying which major axis divisions to label. For example, 2 means label every other tick mark. Values 0 and 1 both mean label every tick mark. If the labels are too long, they are clipped.</p> <p>Painter: Axis tab, Major Divisions group (not available for all graph types).</p>
DropLines	<p>(exp) An integer indicating the type of drop line for the axis.</p> <p>Values are:</p> <p>0 -- None</p> <p>1 -- Solid</p> <p>2 -- Dash</p> <p>3 -- Dot</p> <p>4 -- DashDot</p> <p>5 -- DashDotDot</p> <p>Painter: Axis tab, Major Divisions group (not available for all graph types).</p> <p>Not supported by Render3D graph style.</p>
Frame	<p>(exp) An integer indicating the type of line used for the frame. Values are 0--5. See DropLines in this table for their meaning. Available for 3D graph types.</p> <p>Painter: Axis tab, Line Style group.</p> <p>Not supported by Render3D graph style.</p>
Label	<p>(exp) A string whose value is the axis label.</p> <p>Painter: Axis tab.</p>
LabelDispAttr.	<p>(exp) Properties that control the appearance of the axis label.</p>

Property for Axis	Value
fontproperty	For a list of font properties, see the main entry for DispAttr.fontproperty. Painter: Text tab. Choose Category Axis Label, Series Axis Label, or Values Axis Label, and set font properties.
MajorDivisions	(exp) An integer specifying the number of major divisions on the axis. Painter: Axis tab, Major Divisions group.
MajorGridLine	(exp) An integer specifying the type of line for the major grid. Values are 0-5. See DropLines in this table for their meaning. Painter: Axis tab, Major Divisions group. Not supported by Render3D graph style.
MajorTic	(exp) An integer specifying the type of the major tick marks. Values are: 1 -- None 2 -- Inside 3 -- Outside 4 -- Straddle Painter: Axis tab, Major Divisions group. Not supported by Render3D graph style.
MaximumValue	(exp) A double specifying the maximum value for the axis. Painter: Axis tab, Scale group.
MinimumValue	(exp) A double specifying the minimum value for the axis. Painter: Axis tab, Scale group.
MinorDivisions	(exp) An integer specifying the number of minor divisions on the axis. Painter: Axis tab, Minor Divisions group. Not supported by Render3D graph style.
MinorGridLine	(exp) An integer specifying the type of line for the minor grid. Values are 0-5. See DropLines in this table for their meaning. Painter: Axis tab, Minor Divisions group. Not supported by Render3D graph style.
MinorTic	(exp) An integer specifying the type of the minor tick marks. Values are: 1 -- None 2 -- Inside 3 -- Outside 4 -- Straddle

Property for Axis	Value
	<p>Painter: Axis tab, Minor Divisions group.</p> <p>Not supported by Render3D graph style.</p>
OriginLine	<p>(exp) An integer specifying the type of origin line for the axis. Values are 0-5. See DropLines in this table for their meaning. Enabled for numeric data axes.</p> <p>Painter: Axis tab, Line Style group.</p> <p>Not supported by Render3D graph style.</p>
PrimaryLine	<p>(exp) An integer specifying the type of primary line for the axis. Values are 0-5. See DropLines in this table for their meaning.</p> <p>Painter: Axis tab, Line Style group.</p> <p>Not supported by Render3D graph style.</p>
RoundTo	<p>(exp) A double specifying the value to which you want to round the axis values. Specify both a value and a unit (described next).</p> <p>Painter: Axis tab, Scale group.</p>
RoundToUnit	<p>(exp) An integer specifying the units for the rounding value. The units must be appropriate for the axis datatype.</p> <p>Values are:</p> <ul style="list-style-type: none"> 0 -- Default, for an axis of any datatype 1 -- Years, for an axis of type date or DateTime 2 -- Months, for an axis of type date or DateTime 3 -- Days, for an axis of type date or DateTime 4 -- Hours, for an axis of type time or DateTime 5 -- Minutes, for an axis of type time or DateTime 6 -- Seconds, for an axis of type time or DateTime 7 -- Microseconds, for an axis of type time or DateTime <p>Painter: Axis tab, Scale group.</p>
ScaleType	<p>(exp) An integer specifying the type of scale used for the axis.</p> <p>Values are:</p> <ul style="list-style-type: none"> 1 -- Scale_Linear 2 -- Scale_Log10 3 -- Scale_Loge <p>Painter: Axis tab, Scale group.</p>
ScaleValue	<p>(exp) An integer specifying the scale of values on the axis.</p> <p>Values are:</p>

Property for Axis	Value
	1 -- Scale_Actual 2 -- Scale_Cumulative 3 -- Scale_Percentage 4 -- Scale_CumPercent Painter: Axis tab, Scale group.
SecondaryLine	(exp) An integer specifying the type of secondary line for the axis. The line is parallel to and opposite the primary line and is usually not displayed in 2D graphs. Values are 0-5. See DropLines in this table for their meaning. Painter: Axis tab, Line Style group. Not supported by Render3D graph style.
ShadeBackEdge	(exp) A boolean number specifying whether the back edge of the axis is shaded. Values are: 0 -- No, the back edge is not shaded 1 -- Yes, the back edge is shaded Painter: Axis tab. Enabled for 3D graphs only. Not supported by Render3D graph style.
Sort	(exp) An integer specifying the way the axis values should be sorted. (Does not apply to the Values axis.) Values are: 0 -- Unsorted 1 -- Ascending 2 -- Descending Painter: Axis tab, Line Style group.

Usage

In the painter

Select the graph control or the Graph DataWindow object and set the value in the Properties view. To set most axis properties, select the Axis tab and an axis in the Axis drop-down list. Font properties are set on the Text tab.

Examples

```
string ls_data
ls_data = dw1.Object.gr_1.Category.AutoScale
dw1.Object.Category.LabelDispAttr.Alignment = 2
ls_data = dw1.Describe("gr_1.Category.AutoScale")
dw1.Modify("gr_1.Series.AutoScale=0")
dw1.Modify("gr_1.Values.Label='Cities'")
dw1.Modify("gr_1.Category.LabelDispAttr.Alignment=2")
```

3.3.12 BackColor

Description

The background color of a graph in a DataWindow.

Applies to

Graph controls

Syntax

PowerBuilder dot notation:

```
dw_control.Object.graphname.BackColor
```

Describe and Modify argument:

```
"graphname.BackColor { = long }"
```

Table 3.33:

Parameter	Description
graphname	The graph whose background color you want to get or set.
long	(exp) A long expression specifying the color (red, green, and blue values) to be used as the graph's background color. Long can be a quoted DataWindow expression.

Usage

In the painter

Select the graph control and set the value in the Properties view, General tab.

Examples

```
dw1.Object.graph_1.BackColor = 250
setting = dw1.Describe("graph_1.BackColor")
dw1.Modify("graph_1.BackColor=250")
```

3.3.13 Background.property

Description

Settings for the color and transparency of a control.

Applies to

Button, Column, Computed Field, GroupBox, Line, Oval, Rectangle, RoundedRectangle, and Text controls

Syntax

PowerBuilder dot notation:

```
dw_control.Object.controlname.Background.property
```

Describe and Modify argument:

```
"controlname.Background.property { = 'value ' }"
```

SyntaxFromSql:

```
Column ( Background.property = value )
Text ( Background.property = value )
```

Table 3.34:

Parameter	Description
controlname	The control whose Background properties you want to get or set. When generating DataWindow syntax with SyntaxFromSql, the Background settings apply to all columns or all text controls.
property	A property that applies to the background of a control, as listed in the Property table below.
value	Values for the properties are shown below. Value can be a quoted DataWindow expression.

Table 3.35:

Property for Background	Value
Brushmode	(exp) An integer indicating the type of "brush" to use for the gradient. Values are: Painter: Background tab, Gradient group (not available in RichText, Graph, or OLE DataWindow objects).
Color	(exp) A long expression specifying the color (the red, green, and blue values) to be used as the control's background color. Painter: Background tab
Mode	(exp) A number expression specifying the mode of the background of controlname. Values are: 0 -- Make the control's background opaque 1 -- Make the control's background transparent 2 -- Make the control's background partially transparent
Transparency	(exp) An integer in the range 0 to 100, where 0 means that the column or control's primary background is opaque and 100 that it is completely transparent. Painter: Background tab.
Gradient.Angle	(exp) An integer indicating the angle in degrees (values are 0 to 360) used to offset the color and transparency gradient. This property is used only when the column's or control's background.gradient.mode takes values of 3 or 4. Painter: Background tab, Gradient group.
Gradient.Color	(exp) A long specifying the color (the red, green, and blue values) to be used as the column or control's secondary background color. The gradient defines transitions between the primary and secondary background colors. Painter: Background tab, Gradient group.
Gradient.Focus	(exp) An integer in the range 0 to 100, specifying the distance (as a percentage) from the center where the background color is at its

Property for Background	Value
	<p>maximum. (For example, if the radial gradient is used and the value is set to 0, the color will be at the center of the background; if the value is set to 100, the color will be at the edges of the background.)</p> <p>Painter: Background tab, Gradient group</p>
Gradient.RepetitionMode	<p>(exp) Specifies the mode for determining the number of gradient transitions for the column's or control's background color and transparency.</p> <p>Permitted values and their meanings are:</p> <ul style="list-style-type: none"> • 0 Gradient.repetition.count determines the number of gradient transitions • 1 Gradient.repetition.length determines the number of gradient transitions <p>Painter: Background tab, Gradient group.</p>
Gradient.RepetitionCount	<p>(exp) An integer specifying the number of gradient transitions for background color and transparency. A value of 0 indicates 1 transition. A value of 3 indicates 4 transitions. This property is used only when the gradient.repetition.mode property for the column or control takes the value of 0 (by count).</p> <p>Painter: Background tab, Gradient group.</p>
Gradient.RepetitionLength	<p>(exp) Although specifying the number of gradient transitions. This property is used only when the gradient.repetition.mode property for the column or control takes the value of 1 (by length). The units for the length that you assign for gradient transitions are set by the DataWindow object's Units property.</p> <p>Painter: Background tab, Gradient group.</p>
Gradient.Scale	<p>(exp) An integer in the range 0 to 100 specifying the rate of transition to the gradient color (as a percentage).</p> <p>Painter: Background tab, Gradient group</p>
Gradient.Spread	<p>(exp) An integer in the range 0 to 100 indicating the contribution of the second color to the blend (as a percentage).</p> <p>Painter: Background tab, Gradient group</p>
Gradient.Transparency	<p>(exp) An integer in the range 0 to 100, where 0 means that the column or control's secondary (gradient) background is opaque and 100 that it is completely transparent. The gradient defines transitions between the primary and secondary transparency settings.</p> <p>Painter: Background tab, Gradient group.</p>

Usage

In the painter

Select the control and set the value in the Properties view, Font tab for controls that have text and in the General tab for drawing controls (choose Transparent or a color).

When you choose a Brush Hatch fill pattern other than Solid for an Oval, Rectangle, or RoundRectangle control, the Background Color and the Brush Color are used for the pattern colors.

Background color of a button

The background color of a button will take effect only when the Windows classic style option is selected. Select "Enable Windows Classic Style in the IDE" in the System Options for this property to take effect when running the application from the IDE; and select "Windows classic style" in the project painter for this property to take effect when running the application executable.

Background color of a line

The background color of a line is the color that displays between the segments of the line when the pen style is not solid.

Transparent background

If Background.Mode is transparent (1), Background.Color is ignored.

Background gradient properties

Background gradient and transparency properties do not apply to DataWindow objects with the RichText, Graph, or OLE presentation style, and do not apply to the Line control.

DropDownDataWindows and GetChild

When you set Background.Color and Background.Mode for a column with a DropDownDataWindow, references to the DropDownDataWindow become invalid. Call GetChild again after changing these properties to obtain a valid reference.

Examples

```
dw1.Object.oval_1.Background.Color = RGB(255, 0, 128)
ls_data = dw1.Describe("oval_1.Background.Color")
dw1.Modify("emp_name.Background.Color='11665407'")
ls_data = dw1.Describe("emp_name.Background.Mode")
dw1.Modify("emp_name.Background.Mode='1'")
dw1.Modify("rndrect_1.Background.Mode='0'")
SQLCA.SyntaxFromSQL(sql_syntax, &
    "Style(...) Column(Background.Mode=1 ...) ...", &
    ls_Errors)
SQLCA.SyntaxFromSQL(sql_syntax, &
    "Style(...) Column(Background.Color=11665407 ...) ", &
    ls_Errors)
```

3.3.14 BackImage

Description

The column that contains the background image for an InkPicture control in a DataWindow.

Applies to

InkPicture controls

Syntax

PowerBuilder dot notation:

```
dw_control.Object.inkpicname.BackImage
```

Describe and Modify argument:

```
"inkpicname.BackImage{ = colname }"
```

Table 3.36:

Parameter	Description
inkpicname	The graph whose background color you want to get or set.
colname	A string value specifying the name of the long binary column that contains the background image for the control.

Usage

In the painter

Select the InkPicture control and set the value in the Properties view, Definition tab, Col for Image property. The image format can be JPEG, GIF, BMP, or ICO. If you change the image, call the Retrieve method to force the DataWindow to retrieve the new image.

Examples

```
sval = dw1.Object.inkpic_1.backimage  
dw1.Object.inkpic_1.backimage = 'InkImg'
```

3.3.15 Band

Description

The band or layer in the DataWindow object that contains the control. The returned text is one of the following, where # is the level number of a group: detail, footer, header, header.#, summary, trailer.#, tree.level.#, foreground, background.

Changing a control's band

Use the SetPosition method to change a control's band at runtime.

Applies to

Button, Column, Computed Field, Graph, GroupBox, Line, OLE, Oval, Picture, Rectangle, Report, RoundedRectangle, TableBlob, and Text controls

Syntax

PowerBuilder dot notation:

```
dw_control.Object.controlname.Band
```

Describe and Modify argument:

```
"controlname.Band"
```

Table 3.37:

Parameter	Description
controlname	The name of the control within the DataWindow for which you want the band it occupies

Usage

In the painter

Select the control and set the value in the Properties view, Position tab, Layer option. When the control's layer is Band, you can drag the control into another band.

Examples

```
ls_data = dw1.Object.emp_title.Band
ls_data = dw1.Describe("emp_title.Band")
```

3.3.16 Bandname.property

Description

Settings for the color, size, and pointer of a band in the DataWindow object. The gradient settings do not work in reports.

Applies to

DataWindows

Syntax

PowerBuilder dot notation:

```
dw_control.Object.DataWindow.bandname.property
```

Describe and Modify argument:

```
"DataWindow.bandname{.#}.property { = value }"
```

Table 3.38:

Parameter	Description
bandname	<p>The identifier of a band in the DataWindow object.</p> <p>Values are:</p> <ul style="list-style-type: none"> • Detail • Footer • Summary • Header • Trailer • Tree.Level <p>Setting the header.#, trailer.#, and tree.level.# bands</p> <p>You cannot use dot notation to set the header.#, trailer.#, and tree.level.# bands.</p>
#	The number of the group or TreeView level you want when bandname is Header, Trailer, or Tree.Level. The group must exist.
property	A property that applies to the band, as listed in the table below.

Parameter	Description
value	Values for the properties are shown in the following table.

Table 3.39:

Property for Bandname	Value
Brushmode	<p>(exp) An integer indicating the type of "brush" to use for the gradient.</p> <p>Values are:</p> <p>0 -- Solid</p> <p>1 -- Horizontal</p> <p>2 -- Vertical</p> <p>3 -- Angle</p> <p>4 -- ScaledAngle</p> <p>5 -- Radial</p> <p>Painter: Background tab, Gradient group (not available for RichText, Graph, or OLE DataWindow objects).</p>
Color	<p>(exp) A long specifying the color (the red, green, and blue values) to be used as the band's background color. Value can be a quoted DataWindow expression.</p> <p>Painter: General tab.</p>
Height	<p>An integer specifying the height of the detail area in the unit of measure specified for the DataWindow.</p> <p>Painter: General tab.</p> <p>For another way of setting the height of the detail band, see the SetDetailHeight method.</p>
Height.AutoSize	<p>Allows the band to grow to display a row, picture, or nested report without cutting off any of its content. In the detail band, selecting this property sets the minimum height for all rows to the size specified by the Height property for the band.</p> <p>Values are:</p> <p>No -- Fixes the band height to the size set for the Height property of the band.</p> <p>Yes -- Adjusts the band height to accommodate the full content of a row or the controls in the band. However, the band height cannot be reduced below the value set for the Height property of the band.</p> <p>This property can be especially useful to set on the detail band when it contains rows with a text column that you want to display without cutting off any of the text. The height of the detail band must not grow</p>

Property for Bandname	Value
	<p>larger than a page, except when it contains nested DataWindows with the Report.Height.AutoSize property set to Yes.</p> <p>You can set this property on individual columns and controls as well as on the band itself. For more information, see the Height.AutoSize property for DataWindow objects.</p> <p>There are some limitations on the use of this property:</p> <ul style="list-style-type: none"> • The Height.Autosize property is not supported on DataWindows with Graph, Label, OLE, or Rich Text presentation styles. • Nested report overflow to the next page is supported in detail bands only. • Bands cannot be autosized if autosizing would preclude the display of at least one detail band row per page. <p>Painter: General tab when the band is selected.</p>
Pointer	<p>(exp) A string specifying a value of the Pointer enumerated datatype or the name of a cursor file (.CUR) to be used for the pointer. See Section 2.4.752, “SetPointer” in <i>PowerScript Reference</i> for a list of Pointer values. Pointername can be a quoted DataWindow expression.</p> <p>Painter: Pointer tab.</p>
Suppress	<p>A boolean that lets you suppress group headers after page breaks. You can set this property on group header bands only. When a group listing straddles a page break, all group headers for which you set this property will be suppressed. The suppressed headers do not display at the top of the page. However, if the page break coincides with the start of a new group, only headers above the current group header can be suppressed.</p> <p>Values are:</p> <p>No -- Does not suppress group headers.</p> <p>Yes -- Suppresses group headers.</p> <p>Painter: General tab when a group header band is selected.</p>
Transparency	<p>(exp) An integer in the range 0 to 100, where 0 means that the background is opaque and 100 that it is completely transparent.</p> <p>Painter: Background tab.</p>
Gradient.Angle	<p>(exp) An integer indicating the angle in degrees (values are 0 to 360) used to offset the color and transparency gradient. This property is used only when the DataWindow band gradient.mode takes values of 3 or 4.</p> <p>Painter: Background tab, Gradient group.</p>
Gradient.Color	<p>(exp) A long specifying the color (the red, green, and blue values) to be used as the band object's secondary background color. The gradient defines</p>

Property for Bandname	Value
	<p>transitions between the primary and secondary background colors. Value can be a quoted DataWindow expression.</p> <p>Painter: Background tab.</p>
Gradient.Focus	<p>(exp) An integer in the range 0 to 100, specifying the distance (as a percentage) from the center where the background color is at its maximum. (For example, if the radial gradient is used and the value is set to 0, the color will be at the center of the background; if the value is set to 100, the color will be at the edges of the background.)</p> <p>Painter: Background tab, Gradient group</p>
Gradient.Scale	<p>(exp) An integer in the range 0 to 100 specifying the rate of transition to the gradient color (as a percentage).</p> <p>Painter: Background tab, Gradient group</p>
Gradient.Spread	<p>(exp) An integer in the range 0 to 100 indicating the contribution of the second color to the blend (as a percentage).</p> <p>Painter: Background tab, Gradient group</p>
Gradient.RepetitionMode	<p>(exp) Specifies the mode for determining the number of gradient transitions for band background color and transparency.</p> <p>Permitted values and their meanings are:</p> <ul style="list-style-type: none"> • 0 Gradient.repetition.count determines the number of gradient transitions • 1 Gradient.repetition.length determines the number of gradient transitions <p>Painter: Background tab, Gradient group.</p>
Gradient.RepetitionCount	<p>(exp) An integer specifying the number of gradient transitions for background color and transparency. A value of 0 indicates 1 transition. A value of 3 indicates 4 transitions. This property is used only when the gradient.repetition.mode property for the DataWindow band takes the value of 0 (by count).</p> <p>Painter: Background tab, Gradient group.</p>
Gradient.RepetitionLength	<p>(exp) An integer specifying the number of gradient transitions. This property is used only when the gradient.repetition.mode property for the DataWindow band takes the value of 1 (by length). The units for the length that you assign for the band's gradient transitions are set by the DataWindow object's Units property.</p> <p>Painter: Background tab, Gradient group.</p>
Gradient.Transparency	<p>(exp) An integer in the range 0 to 100, where 0 means that the band's secondary (gradient) background is opaque and 100 that it is completely</p>

Property for Bandname	Value
	transparent. The gradient defines transitions between the primary and secondary transparency settings. Painter: Background tab, Gradient group.

Usage

In the painter

Select the band by clicking the gray divider for the band. Set the value in the Properties view.

Examples

```
string ls_data
ls_data = dw1.Object.DataWindow.Detail.Height
dw1.Object.DataWindow.Detail.Pointer = "hand.cur"

ls_data = dw1.Describe("DataWindow.Detail.Height")
ls_data = &
    dw1.Describe("DataWindow.Detail.Height.AutoSize")
dw1.Modify("DataWindow.Detail.Pointer='hand.cur'")
dw1.Modify("DataWindow.Detail.Pointer=~\"Cross!~\" ~t
if(emp_status=~\"a~\", ~\"HourGlass!~\", ~\"Cross!~\")'")
dw1.Modify("DataWindow.Footer.Height=250")
ll_color = RGB(200, 200, 500)
dw1.Modify("DataWindow.Header.2.Color=" &
    + String(ll_color))
dw1.Modify("DataWindow.Trailer.2.Height=500")
dw1.Modify( &
    "DataWindow.Summary.Pointer='c:\pb\total.cur' ")
```

3.3.17 Bandname.Text

Description

(RichText presentation style only) The rich text content of the specified band as an ASCII string.

Applies to

DataWindows in the RichText presentation style

Syntax

PowerBuilder dot notation:

```
dw_control.Object.DataWindow.bandname.Text
```

Describe and Modify argument:

```
"DataWindow.bandname.Text { = rtfstring }"
```

Table 3.40:

Parameter	Description
bandname	The identifier of a band in the DataWindow object that has the RichText presentation style. Values are: <ul style="list-style-type: none"> Detail

Parameter	Description
	<ul style="list-style-type: none"> • Header • Footer
rtfstring	<p>A string whose value is the rich text content of the band. The string includes the rich text formatting codes, text, and input fields.</p> <p>Text assigned to the header or footer band is ignored if RichText.HeaderFooter is set to no.</p> <p>When you assign text using the Modify method or dot notation, nested quotes must be represented with tildes and quotes. If your data is a pure RTF string, use the PasteRTF method.</p>

Usage

In the painter

Set the value by editing the content of each band in the painter workspace.

Examples

```
ls_footertext = dw1.Object.DataWindow.Footer.Text
ls_data = dw1.Describe("DataWindow.Detail.Text")
```

3.3.18 Bands

Description

A list of the bands in the DataWindow object. The list can include one or more of the following band identifiers, where # is the level number of a group: Detail, Footer, Header, Header.#, Summary, Trailer.#, Tree.Level.#. The items in the list are separated by tabs.

Applies to

DataWindows

Syntax

PowerBuilder dot notation:

```
dw_control.Object.DataWindow.Bands
```

Describe argument:

```
"DataWindow.Bands"
```

Examples

```
ls_data = dw1.Object.DataWindow.Bands
ls_data = dw1.Describe("DataWindow.Bands")
```

3.3.19 BinaryIndex

Description

An internal index that PowerBuilder uses to manage the OLE Object control in the library. There is no reason to get this value; the value has no external significance.

Applies to

OLE Object controls

Syntax

```
"olecontrolname.BinaryIndex"
```

3.3.20 BitmapName

Description

Whether PowerBuilder interprets the column's value as the name of a picture file and displays the picture instead of the text. BitmapName's value is either Yes or No.

Applies to

Column controls

Syntax

PowerBuilder dot notation:

```
dw_control.Object.columnname.BitmapName
```

Describe argument:

```
"columnname.BitmapName"
```

Usage

In the painter

Select the control and set the value in the Properties view, General tab, Display As Pic option.

Examples

```
ls_data = dw1.Object.emp_name.BitmapName  
ls_data = dw1.Describe("emp_name.BitmapName")
```

3.3.21 Border

Description

The type of border for the control.

Applies to

Column, Computed Field, Graph, GroupBox, OLE, Picture, Report, TableBlob, and Text controls

Syntax

PowerBuilder dot notation:

```
dw_control.Object.controlname.Border
```

Describe and Modify argument:

```
"controlname.Border { = 'value ' }"
```

SyntaxFromSql:

```
Column ( ... Border = value ... )
```

```
Text ( ... Border = value ... )
```

Table 3.41:

Parameter	Description
controlname	The name of the control whose border you want to get or set. When generating DataWindow syntax with SyntaxFromSql, the Border setting applies to all columns or all text controls.
value	(exp) A number specifying the type of border. Values are: 0 -- None 1 -- Shadow 2 -- Rectangle 3 -- Resize 4 -- Line 5 -- 3D Lowered 6 -- 3D Raised The value can be a quoted DataWindow painter expression. When you change between Resize and another border, change the Resizable property too so that the control's appearance and behavior match. For columns, you can access the Border property with the GetBorderStyle and SetBorderStyle methods. The "3D Lowered" style will take effect only when the Windows classic style option is selected. Select "Enable Windows Classic Style in the IDE" in the System Options for this style to take effect when running the application from the IDE; and select "Windows classic style" in the project painter for this style to take effect when running the application executable.

Usage

In the painter

Select the control and set the value in the Properties view, General tab.

Changing the Border setting between Resize and another border affects the Resizable option on the Position tab. To make another border resizable, choose the border then reset Resizable.

For examples of other ways to set properties, using Border as an example, see [What you can do with DataWindow object properties](#).

Examples

```
string ls_data
ls_data = dw1.Object.emp_name_t.Border
dw1.Object.emp_name_t.Border='6'
ls_data = dw1.Describe("emp_name_t.Border")
dw1.Modify("emp_name_t.Border='6'")
```

```
SQLCA.SyntaxFromSQL(sql_syntax, &
"Style(...) Column(Border=5 ...) ...", ls_Errors)
```

3.3.22 Brush.property

Description

Settings for the fill pattern and color of a graphic control.

Applies to

Oval, Rectangle, and RoundedRectangle controls

Syntax

PowerBuilder dot notation:

```
dw_control.Object.controlname.Brush.property
```

Describe and Modify argument:

```
"controlname.Brush.property { = 'value ' }"
```

Table 3.42:

Parameter	Description
controlname	The name of the Line, Oval, Rectangle, RoundedRectangle, or Text control whose Brush property you want to get or set.
property	A property that applies to the Brush characteristics of a control, as listed in the table below.
value	Values for the properties are shown in the next table. Value can be a quoted DataWindow expression.

Table 3.43:

Property for Brush	Value
Color	(exp) A long expression specifying the color (the red, green, and blue values) to be used to fill the control.
Hatch	(exp) A number expression specifying the fill pattern of controlname. Values are: 0 -- Horizontal 1 -- Bdiagonal (lines from lower left to upper right) 2 -- Vertical 3 -- Cross 4 -- Fdiagonal (lines from upper left to lower right) 5 -- DiagCross 6 -- Solid 7 -- Transparent

Property for Brush	Value
	8 - Background (use the settings on the Background tab)

Usage

In the painter

Select the control and set the value in the Properties view, General tab.

When you choose a Brush Hatch fill pattern other than Solid or Transparent, the Background Color and the Brush Color are used for the pattern colors.

Examples

```
string ls_data
ls_data = dw1.Object.oval_1.Brush.Hatch
dw1.Object.oval_1.Brush.Hatch = 5
ls_data = dw1.Describe("oval_1.Brush.Hatch")
dw1.Modify("oval_1.Brush.Hatch='5'")
dw1.Modify("oval_1.Brush.Color='16731766'")
```

3.3.23 Brushmode

Description

Setting that controls the type of "brush" used for the background or primary gradient.

Applies to

DataWindows

Syntax

PowerBuilder dot notation:

```
dw_control.brushmode
```

Describe and Modify argument:

```
"DataWindow (brushmode = { integer } )"
```

Table 3.44:

Parameter	Description
integer	The value to be assigned to the property: 0 -- Solid 1 -- HorizontalGradient 2 -- VerticalGradient 3 -- AngleGradient 4 -- ScaledAngleGradient 5 -- RadialGradient 6 -- Picture

Usage

In the painter

Set the brushmode value on the Background tab of the Properties view.

If you save to an EMF or WMF, the properties on the Background tab are not saved with the DataWindow.

The following table explains the possible values for Brushmode:

Table 3.45:

Value	Description
0 - Solid	The background is a solid color as selected
1 - HorizontalGradient	The color changes horizontally from the primary color (and transparency) to the secondary color (and transparency). The primary values are defined by the <code>datawindow.color</code> and <code>datawindow.transparency</code> , and the secondary values are defined by <code>datawindow.gradient.color</code> and <code>datawindow.gradient.transparency</code> . The gradient can be repeated using the <code>datawindow.gradient.repetition.mode</code> property.
2 - VerticalGradient	The color changes vertically from the background color (and transparency) to the secondary color (and transparency). The primary values are defined by the <code>datawindow.color</code> and <code>datawindow.transparency</code> , and the secondary values are defined by <code>datawindow.gradient.color</code> and <code>datawindow.gradient.transparency</code> . The gradient can be repeated using the <code>datawindow.gradient.repetition.mode</code> property.
3 - AngleGradient	The color changes at a specific angle off the horizontal from the background color (and transparency) to the secondary color (and transparency). The angle is specified in <code>datawindow.gradient.angle</code> . The primary values are defined by the <code>datawindow.color</code> and <code>datawindow.transparency</code> , and the secondary values are defined by <code>datawindow.gradient.color</code> and <code>datawindow.gradient.transparency</code> . The gradient can be repeated using the <code>datawindow.gradient.repetition.mode</code> property.
4 - ScaledAngleGradient	The color changes at an angle, which adjusts according to the changes in the aspect ratio of the DataWindow control. The starting angle is specified in <code>datawindow.gradient.angle</code> . The primary values are defined by the <code>datawindow.color</code> and <code>datawindow.transparency</code> , and the secondary values are defined by <code>datawindow.gradient.color</code> and <code>datawindow.gradient.transparency</code> . The gradient can be repeated using the <code>datawindow.gradient.repetition.mode</code> property.
5 - RadialGradient	The background color (and transparency) starts at the center and slowly changes to the gradient color (and transparency) at the boundaries of the DataWindow. The primary values are defined by the <code>datawindow.color</code> and <code>datawindow.transparency</code> , and the secondary values are defined by <code>datawindow.gradient.color</code> and <code>datawindow.gradient.transparency</code> .
6 - Picture	A picture is used as the background. The image is specified in <code>datawindow.picture.file</code> .

See also

[Color](#)[Transparency \(DataWindow objects\)](#)[Gradient.property](#)[Picture.property](#)

3.3.24 Category

See [Axis](#), [Axis.property](#), and [DispAttr.fontproperty](#).

3.3.25 CheckBox.property

Description

Settings for a column whose edit style is CheckBox.

Applies to

Column controls

Syntax

PowerBuilder dot notation:

```
dw_control.Object.columnname.CheckBox.property
```

Describe and Modify argument:

```
"columnname.CheckBox.property { = value }"
```

Table 3.46:

Parameter	Description
columnname	The column whose edit style is CheckBox for which you want to get or set property values.
property	A property for the CheckBox edit style, as listed in the table below.
value	Values for the properties are shown in the table below. For CheckBox properties, value cannot be a DataWindow expression.

Table 3.47:

Property for CheckBox	Value
LeftText	Whether the CheckBox label is to the left or right of the CheckBox. Values are: Yes -- Display the label on the left. No -- Display the label on the right. Painter: Edit tab, Left Text option.
Off	A string constant specifying the column value when the CheckBox is off (unchecked). The resulting value must be the same datatype as the column.

Property for CheckBox	Value
	Painter: Edit tab, Data Value for Off option.
On	A string constant specifying the value that will be put in the column when the CheckBox is on (checked). The resulting value must be the same datatype as the column. Painter: Edit tab, Data Value for On option.
Other	A string constant specifying the value that will be put in the column when the CheckBox is in the third state (neither checked nor unchecked). The value must be the same datatype as the column. Painter: Edit tab, This option is available when ThreeStates is True.
Scale	Whether you want to scale the 2D CheckBox. Takes effect only when the ThreeD property is No. Values are: Yes -- Scale the CheckBox. No -- Do not scale the CheckBox. Painter: Edit tab, Scale option.
Text	A string specifying the CheckBox's label text. Painter: Edit tab, Text option.
ThreeD	Whether the CheckBox should be 3D. Values are: Yes -- Make the CheckBox 3D No -- Do not make the CheckBox 3D Painter: Edit tab, 3D Look option.
ThreeStates	Whether the CheckBox should have three states. Values are: Yes -- The CheckBox has three states No -- The CheckBox does not have three states Painter: Edit tab, 3 States option.

Usage

In the painter

Select the control and set values in the Properties view, Edit tab, when Style Type option is CheckBox.

Examples

```

dw1.Modify("emp_gender.CheckBox.3D=no")
IF dw1.Describe("emp_status.CheckBox.LeftText") &
    = "yes" THEN
dw1.Modify("emp_status2.CheckBox.LeftText=yes")

```

```

END IF
dw1.Modify("emp_status.CheckBox.Off='Terminated' ")
dw1.Modify("emp_status.CheckBox.On='Active' ")
dw1.Modify("emp_status.CheckBox.Other='Unknown' ")
dw1.Object.emp_gender.CheckBox.ThreeD = "no"
IF dw1.Object.emp_status.CheckBox.LeftText = "yes" THEN
dw1.Object.emp_status2.CheckBox.LeftText = "yes"
END IF

```

3.3.26 ClientName

Description

The name of the OLE client. The default is "Untitled." ClientName is used by some applications in the server window's title.

Applies to

OLE Object and TableBlob controls

Syntax

PowerBuilder dot notation:

```
dw_control.Object.controlname.ClientName
```

Describe and Modify argument:

```
"controlname.ClientName { = ' clientname ' }"
```

Table 3.48:

Parameter	Description
controlname	The name of a blob column or an OLE Object control.
clientname	(exp) A string expression to be used in the title of the server application's window. For a blob, the string usually includes data from the current row so that the window title can identify the blob's row. Begin the string with a tab (~t) when you modify the value so that PowerBuilder evaluates the expression instead of displaying it.

Usage

In the painter

Select the control and set the value in the Properties view, Options tab.

Examples

```

cname = dw1.Object.emppict_blob.ClientName
dw1.Object.emppict_blob.ClientName = &
    "~t'Data for ' String(emp_id)"
cname = dw1.Describe("emppict_blob.ClientName")
dw1.Modify("emppict_blob.ClientName='" + &
    "~t~"Data for ~" + String(emp_id)'" )

```

3.3.27 Color

Description

The text color of the column or the background color of the DataWindow.

The color affected by the Color property depends on the control:

- For the DataWindow, Color specifies the background color
- For columns, computed fields, and text, Color specifies the text color
- For graphs, Color specifies the line color used for axes, borders around data markers, tick marks, and the outline of the box for 3D graphs

Applies to

DataWindow, Button, Column, Graph, and GroupBox controls

Syntax

PowerBuilder dot notation:

```
dw_control.Object.DataWindow.Color
dw_control.Object.controlname.Color
```

Describe and Modify argument:

```
"DataWindow.Color { = long }"
"controlname.Color { = long }"
```

SyntaxFromSql:

```
DataWindow ( Color = long )
Column ( Color = long )
```

Table 3.49:

Parameter	Description
controlname	The column whose text color you want to set or the graph whose line color you want to set.
long	(exp for columns only) A long value specifying the color of the column text or the DataWindow background. When you are specifying the text color of a column, you can specify a DataWindow expression in quotes. You cannot specify an expression for the DataWindow background color. When generating DataWindow syntax with SyntaxFromSql, the Color setting for Column applies to all columns.

Usage

In the painter

For the DataWindow background, click the DataWindow to deselect all controls and set the value in the Properties view, Background tab, Color option. If you save to an EMF or WMF, the properties on the Background tab are not saved with the DataWindow.

For a column's text color, select the column and set the value in the Properties view, Font tab, Text Color option.

For a graph's line color, select the graph and set the value in the Properties view, General tab, Text Color option.

Examples

```
string column_text_color
column_text_color = dw1.Object.emp_name.Color
dw1.Object.salary.Color = &
    "0~tIf(salary>90000,255,65280)"
dw_back_color = dw1.Describe("DataWindow.Color")
column_text_color = dw1.Describe("emp_name.Color")
dw1.Modify( &
    "salary.Color='0~tIf(salary>90000,255,65280)'" )
```

See also

[BackColor](#)

[Background.property](#)

3.3.28 ColType

Description

The datatype of the column or computed field.

Applies to

Column and Computed Field controls

Syntax

PowerBuilder dot notation:

```
dw_control.Object.controlname.ColType
```

Describe argument:

```
"controlname.ColType"
```

Table 3.50:

Parameter	Description
controlname	<p>The column for which you want the datatype. Possible datatypes are:</p> <ul style="list-style-type: none"> • Char (n) -- n is the number of characters • Date • DateTime • Decimal (n) -- n is the number of decimal places • Int • Long • Number • Real • Time

Parameter	Description
	<ul style="list-style-type: none"> • Timestamp • ULong

Usage

In the painter

The value of ColType is derived from the data or expression you specify for the control. The value is displayed in the Column Specifications view.

Date column types

If you define a DataWindow with a column of type Date and deploy it with a DBMS that uses the DateTime datatype, set the StaticBind database parameter to 0 or No. This forces PowerBuilder to get a result set description before retrieving data and adjust the bind information if necessary.

For more information, see Section 1.1.160, “StaticBind” in *Connection Reference*.

Examples

```
string ls_coltype
ls_coltype = dw1.Object.emp_id.ColType
ls_coltype = dw1.Describe("emp_id.ColType")
```

3.3.29 Column.Count

Description

The number of columns in the DataWindow object.

Applies to

DataWindows

Syntax

PowerBuilder dot notation:

```
dw_control.Object.DataWindow.Column.Count
```

Describe argument:

```
"DataWindow.Column.Count"
```

Usage

In the painter

The value is determined by the number of columns you select in the SQL Select painter, whether or not they are displayed.

Column limit

There is a limit of 1000 on the number of columns in a DataWindow object.

Examples

```
string ls_colcount
ls_colcount = dw1.Object.DataWindow.Column.Count
ls_colcount = dw1.Describe("DataWindow.Column.Count")
```

3.3.30 ContentsAllowed

Description

The way the OLE Object control holds the OLE object. You can restrict the container to only embedded or only linked objects, or you can allow either type.

Applies to

OLE Object controls

Syntax

PowerBuilder dot notation:

```
dw_control.Object.olecontrolname.ContentsAllowed
```

Describe and Modify argument:

```
"olecontrolname.ContentsAllowed { = ' contentstype ' }"
```

Table 3.51:

Parameter	Description
olecontrolname	The name of the OLE Object control for which you want to get or set the type of contents.
contentstype	A number specifying whether the OLE object in the control has to be embedded, has to be linked, or can be either embedded or linked. Values are: 0 -- Embedded 1 -- Linked 2 -- Any

Usage

In the painter

Select the control and set the value in the Properties view, Options tab, Contents option.

Examples

```
string ls_data
ls_data = dw1.Object.ole_report.ContentsAllowed
dw1.Object.ole_report.ContentsAllowed = 2
ls_data = dw1.Describe("ole_report.ContentsAllowed")
dw1.Modify("ole_report.ContentsAllowed='2'")
```

3.3.31 Criteria

Description

The search condition of the WHERE clause for a related report. The Criteria property defines the connection between the related report and the DataWindow.

Applies to

Report controls

Syntax

PowerBuilder dot notation:

```
dw_control.Object.reportname.Criteria
```

Describe and Modify argument:

```
"reportname.Criteria { = string }"
```

Table 3.52:

Parameter	Description
reportname	The name of the report control for which you want to get or set Criteria.
string	An expression that will be the search condition of the WHERE clause for the related report.

Examples

```
ls_colcount = dw1.Object.rpt_1.Criteria
dw1.Object.rpt_1.Criteria = "emp_id=:emp_id"
ls_colcount = dw1.Describe("rpt_1.Criteria")
dw1.Modify("rpt_1.Criteria='emp_id=:emp_id'")
```

See also

Nest_Arguments DataWindow object property in [Nest Arguments](#).

3.3.32 Criteria.property

Description

Settings for the Prompt for Criteria dialog box. When Prompt for Criteria is enabled, PowerBuilder prompts the user to specify criteria for retrieving data whenever the Retrieve method is called. Note that the Required property also affects query mode.

Syntax

PowerBuilder dot notation:

```
dw_control.Object.columnname.Criteria.property
```

Describe and Modify argument:

```
"columnname.Criteria.property { = value }"
```

Table 3.53:

Parameter	Description
columnname	The name of the column for which you want to get or set Prompt for Criteria properties.

Parameter	Description
property	A property for the Prompt for Criteria dialog box. Properties and their settings are listed in the table below.
value	A Yes or No value to be assigned to the property. For Criteria properties, value cannot be a DataWindow expression.

Table 3.54:

Property for Criteria	Value
Dialog	<p>Whether Prompt for Criteria is on for columnname.</p> <p>Values are:</p> <p>Yes -- Include columnname in the Prompt for Criteria dialog box.</p> <p>No -- (Default) Do not include columnname in the Prompt for Criteria dialog box.</p> <p>If the Dialog property is Yes for at least one column in the DataWindow, then PowerBuilder displays the Prompt for Criteria dialog box when the Retrieve method is called.</p> <p>Painter: Column Specifications view, Prompt check box.</p>
Override_Edit	<p>Whether the user must enter data in the Prompt for Criteria dialog box according to the edit style defined for the column in the DataWindow object or be allowed to enter any specifications in a standard edit control.</p> <p>Values are:</p> <p>Yes -- Allow the user to override the column's edit style and enter data in a standard edit control.</p> <p>No -- (Default) Constrain the user to the edit style for the column.</p> <p>Painter: Properties view, General Tab, Override Edit option.</p>
Required	<p>Whether the user is restricted to the equality operator (=) when specifying criteria in query mode and in the Prompt for Criteria dialog box.</p> <p>Values are:</p> <p>Yes -- Require the user to use the equality operator only.</p> <p>No -- (Default) Allow the user to use any relational operator, including =, <>, <, >, >=, and <=.</p> <p>Painter: Properties view, General tab, Equality Required option.</p>

Usage

In the painter

Set the values using the menus and Properties view as described in the table above.

Examples

```

string setting
setting = dw1.Object.empname.Criteria.Dialog
dw1.Object.empname.Criteria.Dialog= "Yes"
setting = dw1.Describe("empname.Criteria.Dialog")
dw1.Modify("empname.Criteria.Dialog=Yes")
dw1.Modify("empname.Criteria.Override_Edit=Yes")
dw1.Modify("empname.Criteria.Required=No")
IF dw1.Describe("empname.Edit.Style") = "dddw" THEN
dw1.Modify("empname.Criteria.Override_Edit=Yes")
END IF

```

3.3.33 Crosstab.property

Description

Settings for a DataWindow object whose presentation style is Crosstab.

Applies to

DataWindows

Syntax

PowerBuilder dot notation:

```
dw_control.Object.DataWindow.Crosstab.property
```

Describe and Modify argument:

```
"DataWindow.Crosstab.property { = value }"
```

Table 3.55:

Parameter	Description
property	A property for a Crosstab DataWindow. Properties and their settings are listed in the table below.
value	A string expression listing the items to be assigned to the property. For Crosstab properties, value is always quoted and can be a DataWindow expression.

Table 3.56:

Property for Crosstab	Value
Columns	(exp) A string containing a comma- or tab-separated list of the names of columns that make up the columns of the crosstab. These are the columns that display across the top of the crosstab. Painter: Columns option.
Rows	(exp) A string containing a comma- or tab-separated list of the names of columns that make up the rows of the crosstab. Painter: Rows option.
SourceNames	(exp) A string containing a comma-separated list of column names to be displayed in the Crosstab Definition dialog box. The default names are the column names from the database.

Property for Crosstab	Value
	Painter: Source Data option.
StaticMode	<p>A string indicating whether a dynamic crosstab should be put into a static mode. The dynamic crosstab remains in static mode until you set StaticMode to No. While the dynamic crosstab is in static mode, you can manipulate the properties of individual columns.</p> <p>Values are:</p> <p>Yes -- StaticMode is enabled</p> <p>No -- (Default) StaticMode is disabled</p> <p>Painter: Not set in painter.</p>
Values	<p>(exp) A string containing a comma- or tab-separated list of expressions that will be used to calculate the values of the crosstab.</p> <p>Painter: Values option.</p>

Usage

In the painter

For DataWindow objects with the Crosstab presentation style, set the values in the Crosstab Definition dialog box. To display the dialog box, right-click in the Design view to display the pop-up menu and select Crosstab.

Examples

```
setting = dw1.Object.DataWindow.Crosstab.Columns
dw1.Object.DataWindow.Crosstab.Columns = "dept_id"
setting = dw1.Describe("DataWindow.Crosstab.Columns")
dw1.Modify("DataWindow.Crosstab.Columns='dept_id'")
dw1.Modify("DataWindow.Crosstab.Rows='salary'")
dw1.Modify("DataWindow.Crosstab.SourceNames=" &
+ "'Order Number, Item Number, Price'")
dw1.Modify("DataWindow.Crosstab.Values='empname'")
dw1.Modify("DataWindow.Crosstab.StaticMode='yes'")
```

See also

CrosstabDialog function in the [Section 9.16, “CrosstabDialog”](#)

[Table.property](#)

3.3.34 CSSGen.property (obsolete)

Description

Settings that specify the physical path to which a generated CSS style sheet is published and the URL where the style sheet is located.

Obsolete property

CSSGen.property is obsolete and should not be used, because the Web DataWindow technology is obsolete.

The Web Generation tab and JavaScript Generation tab are preserved for the backward compatibility only.

Applies to

DataWindow objects

Syntax

PowerBuilder dot notation:

```
dw_control.Object.DataWindow.CSSGen.property
```

Describe and Modify argument:

```
"DataWindow.CSSGen.property { = ' value ' }"
```

Table 3.57:

Parameter	Description
property	One of the following: <ul style="list-style-type: none"> • PublishPath • ResourceBase • SessionSpecific
value	(exp) PublishPath -- a string that specifies the physical path of the website folder to which PowerBuilder publishes the generated CSS style sheet (exp) ResourceBase -- a string that specifies the URL of the generated CSS style sheet to be referenced in a link element in the XHTML page (exp) SessionSpecific -- a boolean that when set to "yes" forces a session-specific ID to be applied to any generated document names that would otherwise be shared

Usage

The PublishPath folder must correspond to the URL specified in the ResourceBase property. At runtime, after PowerBuilder generates the CSS style sheet to the PublishPath folder, it includes it in the final XHTML page by referencing it with the ResourceBase property in a <link> element.

Typically you share style (CSS), layout (XSLT), and control definitions (JS) for use by all clients; however, if you use dynamic DataWindow objects customized for specific clients, you can force generation of the DataWindow presentation-related document names to be specific to each client. You do this by setting the CSSGen.SessionSpecific property to "yes". This eliminates the possibility of server-side contention for presentation formats when the DataWindow generation is specific to the client.

In the painter

In the Web Generation tab in the Properties view for the DataWindow object, select CSS from the Format to Configure list, specify the Resource Base and Publish Path locations,

and check the Session-specific CSS, XSLT and JS file names check box if you want to force generation of client-specific names.

Examples

These statements set the CSSGen.ResourceBase and CSSGen.PublishPath properties:

```
dw1.Object.DataWindow.CSSGen.ResourceBase= &
'http://www.myserver.com/xmlsource'
dw1.Object.DataWindow.CSSGen.PublishPath= &
'C:\work\outputfiles\xmlsource'
```

This statement sets the CSSGen.SessionSpecific property for a JSP page:

```
dwGen.Modify ("DataWindow.CSSGen.SessionSpecific='Yes'");
```

3.3.35 Data

Description

A tab-separated list describing the data in the DataWindow object.

Applies to

DataWindows

Syntax

PowerBuilder dot notation:

```
dw_control.Object.DataWindow.Data
```

Describe argument:

```
"DataWindow.Data"
```

Examples

```
string setting
setting = dw1.Object.DataWindow.Data
setting = dw1.Describe("DataWindow.Data")
```

3.3.36 Data.HTML (obsolete)

Description

A string containing HTML and JavaScript that represents data and presentation of the DataWindow object.

The data is presented in a read-only HTML table or data-entry form, depending on settings of other properties.

Obsolete property

Data.HTML is obsolete and should not be used, because the Web DataWindow technology is obsolete.

Applies to

DataWindows

Syntax

PowerBuilder dot notation:

```
dw_control.Object.DataWindow.Data.HTML
```

Describe argument:

```
"DataWindow.Data.HTML"
```

Usage

When HTMLDW is set to False, the value of Data.HTML is the same as the value of HTMLTable -- a read-only HTML table that displays all retrieved rows.

When the HTMLDW property is set to True, the value of Data.HTML is a form that supports data input with client scripts for data validation and events. The generated string for Data.HTML includes:

- HTML input elements
- JavaScript for validating newly entered data based on validation rules in the DataWindow object
- HTML and JavaScript for navigation based on DataWindow Button controls with scrolling actions
- State information about the modification status of data items

JavaScript for navigation passes the state of the DataWindow back to the page server in two variables: objectname_action and objectname_context. It also passes back any page parameters defined in the HTMLGen.SelfLinkArgs property. All the [HTMLGen.property](#) values affect the way HTML is generated.

The resulting Web DataWindow is a client-side control for a Web page with events and methods that can cooperate with a server component for a Web-based data entry application.

Exceptions

If the DataWindow is in print preview mode, or there are no columns with non-zero tab order, the setting of HTMLDW is ignored and the generated HTML is a read-only table, not a data-entry form.

To generate a simple form without data entry methodality, you can use the GenerateHTMLForm method.

Examples

```
strHtml = dw1.Object.DataWindow.Data.HTML  
strHtml = dw1.Describe("DataWindow.Data.HTML")
```

3.3.37 Data.HTMLTable (obsolete)

Description

The data in the DataWindow object described in HTML table format. This property is used in the process of dynamically creating Web pages from a database.

Obsolete property

Data.HTMLTable is obsolete and should not be used, because the Web DataWindow technology is obsolete.

Applies to

DataWindows

Syntax

PowerBuilder dot notation:

```
dw_control.Object.DataWindow.Data.HTMLTable
```

Describe argument:

```
"DataWindow.Data.HTMLTable"
```

Usage

Some presentation styles translate better into HTML than others. The Tabular, Group, Freeform, Crosstab, and Grid presentation styles produce good results. The Composite, RichText, OLE 2.0, TreeView, and Graph presentation styles produce HTML tables based on the result set only and not on the presentation style. DataWindows with overlapping controls in them might not produce the desired results. Nested reports are ignored; they are not included in the generated HTML.

The generated HTML for Data.HTMLTable is a read-only HTML Table element that includes:

- All retrieved rows
- Hyperlinks for text, pictures, computed fields, and columns as defined in the HTML.property settings

Data.HTMLTable is not affected by the HTMLDW property and does not generate a client control with events and support for scripting in the Web page.

The values of HTMLGen.Browser and HTMLGen.Version affect the generated HTML. Setting these properties causes the generated HTML to be optimized for a specific level of HTML support or specific browser using style sheets and absolute positioning, if possible. For more information, see [HTMLGen.property](#).

The resulting HTML table does not allow data entry. To produce HTML forms, see the [Data.HTML](#) property and the [GenerateHTMLForm](#) method.

An easy way to see a DataWindow in a Web browser

The HTML string that the Data.HTMLTable property returns is equivalent to the string that is saved when you use either the File>Save Rows As HTML Table option in the DataWindow painter workspace or the SaveAs method.

To see what a DataWindow will look like, save it as an HTML file and open the file in a Web browser such as Netscape.

In the painter

When HTMLDW is not selected, the Design>HTML Preview displays the value of Data.HTMLTable. Save an HTML file that you can use later in a browser with File>Save Rows As; set the Save As Type to HTML Table.

Examples

```
ls_html = dw1.Object.DataWindow.Data.HTMLTable  
ls_html = dw1.Describe( "DataWindow.Data.HTMLTable" )
```

3.3.38 Data.XHTML (obsolete)

Description

A string containing the row data content of the DataWindow object in XHTML format.

Obsolete property

Data.XHTML is obsolete and should not be used, because the Web DataWindow technology is obsolete.

The Web Generation tab and JavaScript Generation tab are preserved for the backward compatibility only.

Applies to

DataWindows

Syntax

PowerBuilder dot notation:

```
dw_control.Object.DataWindow.Data.XHTML
```

Describe argument:

```
"DataWindow.Data.XHTML"
```

Usage

If any of the Export.XHTML properties have been set, the string that is generated reflects the values of these properties.

The resulting XHTML string contains a <form> element that supports data input, which works with separate client scripts for data validation and events. This JavaScript is either dynamically generated and/or statically deployed. To generate static JavaScript, select HTML/XHTML from the Format to Configure drop-down list on the JavaScript Generation page in the DataWindow painter Properties view, specify names for the files you want to generate, and click the Generate File button.

The generated XHTML string also includes:

- XHTML input elements
- XHTML and JavaScript for navigation based on DataWindow button controls with scrolling actions
- State information about the modification status of data items

JavaScript for navigation passes the state of the DataWindow back to the page server in two variables: `objectname_action` and `objectname_context`. It also passes back any page parameters defined in the `HTMLGen.SelfLinkArgs` property. All applicable `HTMLGen.property` values also affect the way the XHTML is generated.

The resulting XML Web DataWindow is a client-side control for a Web page, such as a JSP page, with events and methods that can cooperate with a server component for a Web-based data entry application.

Examples

The following statements set the template used by the DataWindow `dw1` to `t_report` and return the generated XHTML document to the string `ls_XHTML`. To generate the string, the final statement invokes the XML Web DataWindow generator to generate the XHTML, CSS, and JavaScript components, applying the `t_report` template to the generated XHTML and CSS style sheet.

```
string strXHTML
dw1.Modify("DataWindow.Export.XHTML.UseTemplate = 't_report'")
strXHTML = dw1.Describe("DataWindow.Data.XHTML")
```

3.3.39 Data.XML

Description

A string containing the row data content of the DataWindow object in XML format.

Applies to

DataWindows

Syntax

PowerBuilder dot notation:

```
dw_control.Object.DataWindow.Data.XML
```

Describe argument:

```
"DataWindow.Data.XML"
```

Usage

If any of the `Export.XML` properties have been set, the string that is generated reflects the values of these properties.

Note

If `Export.XML.SaveMetaData` is set to `MetaDataExternal!`, no metadata is generated in the string.

Examples

The following statements set the template used by the DataWindow `dw1` to `t_report`, specify that metadata in the `XMLSchema!` format should be included in the generated XML, and return the generated XML document to the string `ls_xml`.

```
string ls_xml
dw1.Modify("DataWindow.Export.XML.UseTemplate = 't_report'")
dw1.Modify("DataWindow.Export.XML.SaveMetaData = MetaDataInternal!")
dw1.Modify("DataWindow.Export.XML.MetaDataType = XMLSchema!")
```

```
ls_xml = dw1.Object.DataWindow.Data.XML
```

3.3.40 Data.XMLDTD

Description

A string containing the full document type definition (DTD) of the XML output for a DataWindow object.

Applies to

DataWindows

Syntax

PowerBuilder dot notation:

```
dw_control.Object.DataWindow.Data.XMLDTD
```

Describe argument:

```
"DataWindow.Data.XMLDTD"
```

Usage

Use this property to return the full DTD of the XML output of a DataWindow object separately from the generated XML document itself. The export template used affects the generated DTD.

Examples

The following statements set the template used by the DataWindow dw1 to t_report and return the generated DTD to the string ls_xml_dtd.

```
string ls_xml_dtd  
dw1.Object.DataWindow.Export.XML.UseTemplate = 't_report'  
ls_xml_dtd = dw1.Object.DataWindow.Data.XMLDTD
```

3.3.41 Data.XMLSchema

Description

A string containing the full schema of the XML output of a DataWindow object.

Applies to

DataWindows

Syntax

PowerBuilder dot notation:

```
dw_control.Object.DataWindow.Data.XMLSchema
```

Describe argument:

```
"DataWindow.Data.XMLSchema"
```

Usage

Use this property to return the full schema of the XML output of a DataWindow object separately from the generated XML document itself. The export template used affects the generated schema.

Examples

The following statements set the template used by the DataWindow `dw1` to `t_report` and return the XML schema to the string `ls_xml_schema`.

```
string ls_xml_schema
dw1.Object.DataWindow.Export.XML.UseTemplate = 't_report'
ls_xml_schema = dw1.Object.DataWindow.Data.XMLSchema
```

3.3.42 Data.XMLWeb (obsolete)

Description

A string containing browser-specific JavaScript that performs the XSLT transformation on the browser after the XML Web DataWindow generator generates all necessary components.

Obsolete property

`Data.XMLWeb` is obsolete and should not be used, because the Web DataWindow technology is obsolete.

The Web Generation tab and JavaScript Generation tab are preserved for the backward compatibility only.

Applies to

DataWindows

Syntax

PowerBuilder dot notation:

```
dw_control.Object.DataWindow.Data.XMLWeb
```

Describe argument:

```
"DataWindow.Data.XMLWeb"
```

Usage

If any of the `Export.XHTML` properties have been set, the string that is generated reflects the values of these properties.

The resulting XHTML string contains a `<form>` element that supports data input, which works with separate client scripts for data validation and events.

This JavaScript is either dynamically generated and/or statically deployed. To generate static JavaScript, select HTML/XHTML from the Format to Configure drop-down list on the JavaScript Generation page in the DataWindow painter Properties view, specify names for the files you want to generate, and click the Generate File button.

The generated XHTML string also includes:

- XHTML input elements
- XHTML and JavaScript for navigation based on DataWindow button controls with scrolling actions
- State information about the modification status of data items

JavaScript for navigation passes the state of the DataWindow back to the page server in two variables: `objectname_action` and `objectname_context`. It also passes back any page parameters defined in the `HTMLGen.SelfLinkArgs` property. All applicable `HTMLGen.property` values also affect the way the XHTML is generated.

The resulting XML Web DataWindow is a client-side control for a Web page, such as a JSP page, with events and methods that can cooperate with a server component for a Web-based data entry application.

Examples

The following statements set the template used by the DataWindow `dw1` to `t_report` and return the generated XSLT transformation to the string `ls_transform`. To generate the string, the final statement invokes the XML Web DataWindow generator to generate the XML, XSLT, CSS, and JavaScript components, applying the `t_report` template to the generated XSLT and CSS style sheet.

```
string ls_transform
dw1.Modify("DataWindow.Export.XHTML.UseTemplate = 't_report'")
ls_transform = dw1.Object.DataWindow.Data.XMLWeb
```

3.3.43 Data.XSLFO

Description

A string containing XSL Formatting Objects (XSL-FO) that represents the data and presentation of the DataWindow object.

Applies to

DataWindows

Syntax

PowerBuilder dot notation:

```
dw_control.Object.DataWindow.Data.XSLFO
```

Describe argument:

```
"DataWindow.Data.XSLFO"
```

Usage

Use this property to return the data and presentation of a DataWindow object in XSL-FO format. The export template associated with the DataWindow object does not affect the generated string.

Examples

The following statements return the data and presentation of the DataWindow object `dw1` to the string `ls_xslfo` in XSL-FO format.

```
string ls_xslfo
ls_xslfo = dw1.Object.DataWindow.Data.XSLFO
```

3.3.44 DataObject

Description

The name of the DataWindow object that is the nested report within the main DataWindow object.

Applies to

Report controls

Syntax

PowerBuilder dot notation:

```
dw_control.Object.reportname.DataObject
```

Describe and Modify argument:

```
"reportname.DataObject = 'dwname ' "
```

Table 3.58:

Parameter	Description
reportname	The name of the Report control in the main DataWindow object for which you want to get or set the nested DataWindow object
dwname	A string naming a DataWindow object in the application's libraries that is the DataWindow object for the report within the main DataWindow object

Usage

In the painter

Select the control and set the value in the Properties view, General tab, Report option.

Examples

```
setting = dw1.Object.rpt_1.DataObject
dw1.Object.rpt_1.DataObject = "d_empdata"
setting = dw1.Describe("rpt_1.DataObject")
dw1.Modify("rpt_1.DataObject='d_empdata' ")
```

3.3.45 dbAlias

Description

The name of the database column but with the table alias in place of the table name, if any. This value can be used to construct the update DataWindow syntax dynamically when an alias name is used for a table.

Applies to

Column controls

Syntax

PowerBuilder dot notation:

```
dw_control.Object.columnname.dbAlias
```

Describe and Modify argument:

```
"columnname.dbAlias { = ' dbcolumnname ' }"
```

Table 3.59:

Parameter	Description
columnname	The name of the column for which you want the name of the corresponding database column qualified with the table alias name
dbcolumname	The name of the database column associated with columnname qualified with the alias of the table name

Usage

DbAlias is the name of the database column in the format tablealiasname.columnname. The value of dbAlias does not include the quotes that can be part of the SQL syntax. This property can be used to construct update DataWindow syntax dynamically when an alias is used for a column name.

In the painter

You can specify an alias for a table in the SQL Select painter if you convert the SQL statement for a DataWindow object to syntax. Select Design>Data Source to open the SQL Select painter, then select Design>Convert to Syntax. In the text window that displays, add the alias name to the FROM clause using the syntax:

```
FROM tablename tablealiasname
```

Examples

Suppose a DataWindow object has the following SQL Select syntax, with the alias "emp" for the table "employee":

```
SELECT "emp"."emp_id",
       "emp"."emp_fname",
       "emp"."emp_lname"
       "emp"."dept_id"
       "emp"."salary"
FROM "employee" "emp" WHERE ( "emp"."salary" > 50000 )
```

Then the following statements would return the string "employee.emp_id" in ls_name and the string "emp.emp_id" in ls_alias:

```
string ls_alias, ls_name
ls_name = dw1.Object.emp_id.dbName
ls_name = dw1.Describe("emp_id.dbName")

ls_alias = dw1.Object.emp_id.dbAlias
ls_alias = dw1.Describe("emp_id.dbAlias")
```

See also

[dbName](#)

3.3.46 dbName

Description

The name of the database column. PowerBuilder uses this value to construct the update syntax.

Applies to

Column controls

Syntax

PowerBuilder dot notation:

```
dw_control.Object.columnname.dbName
```

Describe and Modify argument:

```
"columnname.dbName { = ' dbcolumnname ' }"
```

Table 3.60:

Parameter	Description
columnname	The name of the column for which you want the name of the corresponding database column
dbcolumnname	The name of the database column associated with columnname

Usage

dbName is the name of the database column in the format tablename.columnname. The value of dbName does not include the quotes that can be part of the SQL syntax.

In the painter

The Syntax view in the SQL Select painter displays the database column names (they can be shown with quotes).

Examples

```
dbcol = dw1.Object.emp_id.dbName
dw1.Object.emp_id.dbName = "emp_id"
dbcol = dw1.Describe("emp_id.dbName")
dw1.Modify("emp_id.dbName='emp_id'")
```

See also

[dbAlias](#)

3.3.47 dddw.property

Description

Properties that control the appearance and behavior of a column with the DropDownDataWindow edit style.

Applies to

Column controls

Syntax

PowerBuilder dot notation:

```
dw_control.Object.columnname.dddw.property
```

Describe and Modify argument:

```
"columnname.dddw.property { = value }"
```

Table 3.61:

Parameter	Description
columnname	The name of a column that has the DropDownDataWindow edit style.
property	A property for the DropDownDataWindow column. Properties and their settings are listed in the table below.
value	The value to be assigned to the property. For dddw properties, value cannot be a DataWindow expression.

Table 3.62:

Property for dddw	Value
AllowEdit	<p>Whether the user can type a value as well as choose from the DropDownDataWindow's list.</p> <p>Values are:</p> <p>Yes -- Typing is allowed.</p> <p>No -- (Default) Typing is not allowed.</p> <p>Call GetChild after setting dddw.AllowEdit to get a valid reference to the column's DropDownDataWindow.</p> <p>Painter: Allow Editing option.</p>
AutoHScroll	<p>Whether the DropDownDataWindow automatically scrolls horizontally when the user enters or deletes data.</p> <p>Values are:</p> <p>Yes -- (Default) Scroll horizontally automatically.</p> <p>No -- Do not scroll automatically.</p> <p>Painter: Auto Horizontal Scroll option.</p>
AutoRetrieve	<p>Whether the DropDownDataWindow data is retrieved when the parent DataWindow data is retrieved.</p> <p>Values are:</p> <p>Yes -- (Default) Data is automatically retrieved.</p> <p>No -- Data must be retrieved separately.</p> <p>Painter: AutoRetrieve option.</p>
Case	<p>The case of the text in the DropDownDataWindow.</p> <p>Values are:</p> <p>Any -- Character of any case allowed.</p> <p>Upper -- Characters converted to uppercase.</p> <p>Lower -- Characters converted to lowercase.</p> <p>Call GetChild after setting dddw.Case to get a valid reference to the column's DropDownDataWindow.</p>

Property for dddw	Value
	Painter: Case option.
DataColumn	<p>A string whose value is the name of the data column in the associated DropDownDataWindow. Value is quoted.</p> <p>Call GetChild after setting dddw.DataColumn to get a valid reference to the column's DropDownDataWindow.</p> <p>Painter: Data Column option, visible after selecting a DataWindow.</p>
DisplayColumn	<p>A string whose value is the name of the display column in the associated DropDownDataWindow. Value is quoted.</p> <p>Call GetChild after setting dddw.DisplayColumn to get a valid reference to the column's DropDownDataWindow.</p> <p>Painter: Display Column option, visible after selecting a DataWindow.</p>
HScrollBar	<p>Whether a horizontal scroll bar displays in the DropDownDataWindow.</p> <p>Values are:</p> <p>Yes -- Display a horizontal scroll bar.</p> <p>No -- Do not display a horizontal scroll bar.</p> <p>Painter: Horizontal Scroll Bar option.</p>
HSplitScroll	<p>Whether the horizontal scroll bar is split. The user can adjust the split position.</p> <p>Values are:</p> <p>Yes -- Split the horizontal scroll bar so the user can scroll the display and data columns separately.</p> <p>No -- The horizontal scroll bar is not split.</p> <p>Painter: Split Horizontal Scroll Bar option.</p>
Limit	<p>An integer from 0 to 32767 specifying the maximum number of characters that can be entered in the DropDownDataWindow. Zero means unlimited.</p> <p>Painter: Limit option.</p>
Lines	<p>An integer from 0 to 32767 specifying the number of lines (values) to display in the DropDownDataWindow. This property does not apply in Web pages because the browser controls how the DropDownDataWindow displays.</p> <p>Painter: Lines in DropDown option.</p>
Name	<p>A string whose value is the name of the DropDownDataWindow associated with the column.</p> <p>Call GetChild after setting dddw.Name to get a valid reference to the column's DropDownDataWindow.</p> <p>Painter: DataWindow option.</p>

Property for dddw	Value
NullIsNull	<p>Whether to set the data value of the DropDownDataWindow to null when the user leaves the edit box blank.</p> <p>Values are:</p> <p>Yes -- Make the Empty string null.</p> <p>No -- Do not make the empty string null.</p> <p>Painter: Empty String is null option.</p>
PercentWidth	<p>An integer specifying the width of the drop-down portion of the DropDownDataWindow as a percentage of the column's width. For example, 300 sets the display width to three times the column width.</p> <p>Call GetChild after setting dddw.PercentWidth to get a valid reference to the column's DropDownDataWindow.</p> <p>Painter: Width of DropDown option.</p>
Required	<p>Whether the column is required.</p> <p>Values are:</p> <p>Yes -- Required.</p> <p>No -- (Default) Not required.</p> <p>Painter: Required option.</p>
ShowList	<p>Whether the ListBox portion of the DropDownDataWindow displays when the column has focus. A down arrow does not display at the right end of the DropDownDataWindow when dddw.ShowList is yes.</p> <p>Values are:</p> <p>Yes -- Display the list whenever the column has the focus.</p> <p>No -- Do not display the list until the user selects the column.</p> <p>Painter: Always Show List option.</p>
UseAsBorder	<p>Whether a down arrow displays at the right end of the DropDownDataWindow.</p> <p>Values are:</p> <p>Yes -- Display the arrow.</p> <p>No -- Do not display the arrow.</p> <p>Note that if ShowList is set to Yes, the column ignores the UseAsBorder property and the arrow never displays.</p> <p>Painter: Always Show Arrow option.</p>
VScrollBar	<p>Whether a vertical scroll bar displays in the DropDownDataWindow for long lists.</p> <p>Values are:</p>

Property for dddw	Value
	Yes -- Display a vertical scroll bar.
	No -- Do not display a vertical scroll bar.
	Painter: Vertical Scroll Bar option.

Usage

DropDownDataWindows and GetChild

When you set some of the dddw properties, as noted in the table, references to the DropDownDataWindow become invalid. Call GetChild again after changing these properties to obtain a valid reference.

To retrieve a DropDownDataWindow when the AutoRetrieve property is set to "false", you can access the object data as follows:

```
DataWindowChild mgr_id
dw1.GetChild ("dept_head_id", mgr_id)
mgr_id.SetTransObject (SQLCA)
mgr_id.Retrieve ( )
```

You can also pass a retrieval argument for the retrieve on the child DataWindow object.

Doing a reset to clear the data

When a DropDownDataWindow is retrieved, its data is kept with its own Data Object. If you retrieve the DropDownDataWindow and then set the AutoRetrieve property on the parent to "false", the data for the child is not cleared on a reset and re-retrieve of the parent.

To clear data from a DropDownDataWindow, you must call Reset on the child DataWindow object:

```
dw1.GetChild ("dept_head_id", mgr_id)
mgr_id.reset ( )
```

In the painter

Select the control and set values in the Properties view, Edit tab, when Style Type is DropDownDW.

Examples

```
ls_data = dw1.Describe("emp_status.dddw.AllowEdit")
dw1.Modify("emp_status.dddw.Case='Any'")
dw1.Modify("emp_status.dddw.DataColumn='status_id'")
dw1.Modify("emp_status.dddw.Limit=30")
dw1.Modify("emp_status.dddw.Name='d_status'")
dw1.Modify("emp_status.dddw.PercentWidth=120")
dw1.Object.emp_status.dddw.Case = "Any"
string ls_data
ls_data = dw1.Object.emp_status.dddw.AllowEdit")
```

3.3.48 ddlb.property

Description

Properties that control the appearance and behavior of a column with the DropDownListBox edit style.

Applies to

Column controls

Syntax

PowerBuilder dot notation:

```
dw_control.Object.columnname.ddlb.property
```

Describe and Modify argument:

```
"columnname.ddlb.property { = value }"
```

Table 3.63:

Parameter	Description
columnname	The name of a column that has the DropDownListBox edit style.
property	A property for the DropDownListBox column. Properties and their settings are listed in the table below.
value	The value to be assigned to the property. For ddlb properties, value cannot be a DataWindow expression.

Table 3.64:

Property for ddlb	Value
AllowEdit	Whether the user can type a value as well as choose from the DropDownListBox's list. Values are: Yes -- Typing is allowed. No -- (Default) Typing is not allowed. Painter: Allow Editing option.
AutoHScroll	Whether the DropDownListBox automatically scrolls horizontally when the user enters or deletes data. Values are: Yes -- (Default) Scroll horizontally automatically. No -- Do not scroll automatically. Painter: Auto Horizontal Scroll option.
Case	The case of the text in the DropDownListBox. Values are: Any -- Character of any case allowed. Upper -- Characters converted to uppercase. Lower -- Characters converted to lowercase. Painter: Case option.
Limit	An integer from 0 - 32767 specifying the maximum number of characters that can be entered in the DropDownListBox. Zero means unlimited. Painter: Limit option.

Property for ddlb	Value
NilIsNull	<p>Whether to set the data value of the DropDownListBox to null when the user leaves the edit box blank.</p> <p>Values are:</p> <p>Yes -- Make the empty string null.</p> <p>No -- Do not make the empty string null.</p> <p>Painter: Empty string is null option.</p>
Required	<p>Whether the column is required.</p> <p>Values are:</p> <p>Yes -- Required.</p> <p>No -- (Default) Not required.</p> <p>Painter: Required option.</p>
ShowList	<p>Whether the ListBox portion of the DropDownListBox displays when the column has focus. A down arrow does not display at the right end of the DropDownListBox when ddlb.ShowList is yes.</p> <p>Values are:</p> <p>Yes -- Display the list whenever the column has focus.</p> <p>No -- Do not display the list until the user selects the column.</p> <p>Painter: Always Show List option.</p>
Sorted	<p>Whether the list in the DropDownListBox is sorted.</p> <p>Values are:</p> <p>Yes -- The list is sorted.</p> <p>No -- The list is not sorted.</p> <p>Painter: Sorted option.</p>
UseAsBorder	<p>Whether a down arrow displays at the right end of the DropDownListBox.</p> <p>Values are:</p> <p>Yes -- Display the arrow.</p> <p>No -- Do not display the arrow.</p> <p>Note that if ShowList is set to Yes, the column ignores the UseAsBorder property and the arrow never displays.</p> <p>Painter: Always Show Arrow option.</p>
VScrollBar	<p>Whether a vertical scroll bar displays in the DropDownListBox for long lists.</p> <p>Values are:</p> <p>Yes -- Display a vertical scroll bar.</p> <p>No -- Do not display a vertical scroll bar.</p>

Property for ddlb	Value
	Painter: Vertical Scroll Bar option.

Usage

In the painter

Select the control and set the value in the Properties view, Edit tab, when Style Type is DropDownListBox.

Examples

```
ls_data = dw1.Describe("emp_status.ddlb.AllowEdit")
dw1.Modify("emp_status.ddlb.Case='Any' ")
dw1.Modify("emp_status.ddlb.Limit=30")
string ls_data
ls_data = dw1.Object.emp_status.ddlb.AllowEdit
dw1.Object.emp_status.ddlb.Case = "Any"
```

3.3.49 DefaultPicture

Description

Specifies whether a button displays a default picture for the button's action.

Applies to

Button controls

Syntax

PowerBuilder dot notation:

```
dw_control.Object.buttonname.DefaultPicture
```

Describe and Modify argument:

```
"buttonname.DefaultPicture { = ' value ' }"
```

Table 3.65:

Parameter	Description
buttonname	The name of the button to which you want to assign an action.
value	Whether the action's default picture is used. Values are: Yes -- Use the default picture. No -- Do not use the default picture.

Usage

Default pictures can be associated with all button action types.

You can add your own action pictures by setting the DefaultPicture property to False and setting the [Filename](#) property to the file name for the picture you want. You can use a URL instead of a complete path to qualify the file name, and you can leave off the URL server name, mapping prefix, and folder name if you set them in the HTMLGen.ResourceBase property.

A user-defined action does not have a default picture associated with it.

In the painter

Select the control and set the value in the Properties view, General tab, Action Default Picture option. When the DefaultPicture is not set, you can specify a picture file name in the Picture File property. Button pictures can be BMP, GIF, or JPEG files.

Examples

```
dw1.Object.b_name.DefaultPicture = "Yes"
setting = dw1.Describe("b_name.DefaultPicture")
dw1.Modify("b_name.DefaultPicture = 'No' ")
```

See also

[HTMLGen.property](#)

[DefaultPicture](#)

[Filename](#)

3.3.50 Depth

Description

The depth of a 3D graph.

Applies to

Graph controls

Syntax

PowerBuilder dot notation:

```
dw_control.Object.graphname.Depth
```

Describe and Modify argument:

```
"graphname.Depth { = ' depthpercent ' }"
```

Table 3.66:

Parameter	Description
graphname	The graph control within the DataWindow for which you want to set the depth.
depthpercent	(exp) An integer whose value is the depth of the graph, specified as a percentage of the graph's width. Depthpercent can be a quoted DataWindow expression.

Usage

In the painter

Select the control and set the value in the Properties view, General tab, Depth slider.

Examples

```
string setting
setting = dw1.Object.graph_1.Depth
dw1.Object.graph_1.Depth = 70
setting = dw1.Describe("graph_1.Depth")
dw1.Modify("graph_1.Depth= ' 70 ' ")
```

3.3.51 Detail_Bottom_Margin

Description

The size of the bottom margin of the DataWindow's detail area.

Applies to

Style keywords

Syntax

SyntaxFromSql:

```
Style ( Detail_Bottom_Margin = value )
```

Table 3.67:

Parameter	Description
value	An integer specifying the size of the bottom margin of the detail area in the units specified for the DataWindow.

Examples

```
SQLCA.SyntaxFromSQL(sqlstring, &
  'Style(...Detail_Bottom_Margin = 25 ...)', &
  errstring)
```

3.3.52 Detail_Top_Margin

Description

The size of the top margin of the DataWindow's detail area.

Applies to

Style keywords

Syntax

SyntaxFromSql:

```
Style ( Detail_Top_Margin = value )
```

Table 3.68:

Parameter	Description
value	An integer specifying the size of the top margin of the detail area in the units specified for the DataWindow.

Examples

```
SQLCA.SyntaxFromSQL(sqlstring, &
  'Style(...Detail_Top_Margin = 25 ...)', &
  errstring)
```

3.3.53 Detail.property

See [Bandname.property](#).

3.3.54 DispAttr.fontproperty

Description

Settings for the appearance of various text components of a graph.

Applies to

Properties of Graph controls, as noted throughout this discussion

Syntax

PowerBuilder dot notation:

```
dw_control.Object.graphname.property.DispAttr.fontproperty
```

Describe and Modify argument:

```
"graphname.property.DispAttr.fontproperty { = value }"
```

Table 3.69:

Parameter	Description
graphname	The Graph control in a DataWindow for which you want to get or set font appearance values.
property	A text component of the graph, such as an Axis keyword (Category, Series, or Values), Legend, Pie, or Title, specifying the graph component whose appearance you want to get or set. These properties have their own entries. These values are listed in the following table. You can also set font properties for the label of an axis with the following syntax: <pre>"graphname.axis.LabelDispAttr.fontproperty { = value }"</pre>
fontproperty	A property that controls the appearance of text in the graph. Properties and their settings are listed in the table below.
value	The value to be assigned to fontproperty. Value can be a quoted DataWindow expression.

Table 3.70:

Property for DispAttr	Value
Alignment	(exp) The alignment of the text. Values are: 0 -- Left 1 -- Right 2 -- Center Painter: Alignment option. Alignment for axis labels and text not supported by Render3D graph style.
AutoSize	(exp) Whether the text element should be autosized according to the amount of text being displayed. Values are: 0 -- Do not autosize 1 -- Autosize Painter: Autosize check box.

Property for DispAttr	Value
BackColor	(exp) A long value specifying the background color of the text. Painter: BackColor option.
DisplayExpression	An expression whose value is the label for the graph component. The default expression is the property containing the text for the graph component. The expression can include the text property and add other variable text. Painter: Display Expression option.
Font.CharSet	(exp) An integer specifying the character set to be used. Values are: 0 -- ANSI 1 -- The default character set for the specified font 2 -- Symbol 128 -- Shift JIS 255 -- OEM Painter: FontCharSet option.
Font.Escapement	(exp) An integer specifying the rotation for the baseline of the text in tenths of a degree. For example, a value of 450 rotates the text 45 degrees. 0 is horizontal. Painter: Escapement option.
Font.Face	(exp) A string specifying the name of the font face, such as Arial or Courier. Painter: FaceName option.
Font.Family	(exp) An integer specifying the font family (Windows uses both face and family to determine which font to use). Values are: 0 -- AnyFont 1 -- Roman 2 -- Swiss 3 -- Modern 4 -- Script 5 -- Decorative Painter: Family option.
Font.Height	(exp) An integer specifying the height of the text in the unit of measure for the DataWindow. To specify size in points, specify a negative number. Not available when AutoSize is checked. Painter: Size option, specified in points.
Font.Italic	(exp) Whether the text should be italic.

Property for DispAttr	Value
	<p>Values are:</p> <p>0 -- Not italic (default)</p> <p>1 -- Italic</p> <p>Painter: Italic option.</p>
Font.Orientation	Same as Escapement.
Font.Pitch	<p>(exp) The pitch of the font.</p> <p>Values are:</p> <p>0 -- The default pitch for your system</p> <p>1 -- Fixed</p> <p>2 -- Variable</p> <p>Painter: Pitch option.</p>
Font.Strikethrough	<p>(exp) Whether the text should be crossed out.</p> <p>Values are:</p> <p>0 -- Not crossed out (default)</p> <p>1 -- Crossed out</p> <p>Painter: Strikeout option.</p>
Font.Underline	<p>(exp) Whether the text should be underlined.</p> <p>Values are:</p> <p>0 -- Not underlined (default)</p> <p>1 -- Underlined</p> <p>Painter: Underline option.</p>
Font.Weight	<p>(exp) An integer specifying the weight of the text, for example, 400 for normal or 700 for bold.</p> <p>Painter: Set indirectly using the Bold option.</p>
Font.Width	<p>(exp) An integer specifying the width of the font in the unit of measure specified for the DataWindow. Width is usually unspecified, which results in a default width based on the other properties.</p> <p>Painter: Width option.</p>
Format	<p>(exp) A string containing the display format for the text.</p> <p>Painter: Format option.</p>
TextColor	<p>(exp) A long specifying the color to be used for the text.</p> <p>Painter: TextColor option.</p>

Usage

In the painter

Select the control and set values in the Properties view, Text tab. Settings apply to the selected item in the Text Object list box.

Examples

```
setting = dw1.Object.Category.LabelDispAttr.Font.Face
dw1.Object.Category.LabelDispAttr.Font.Face = "Arial"
setting = &
    dw1.Describe("Category.LabelDispAttr.Font.Face")

dw1.Modify("gr_1.Category.LabelDispAttr.Font.Face= &
'Arial'")
dw1.Modify("gr_1.Title.DispAttr.DisplayExpression=" &
"'Title + ~"~n~" + Today()'")
```

3.3.55 DisplayType

Description

The way the OLE Object control displays the OLE object it contains. It can display an icon or an image of the object's contents. The image is reduced to fit inside the OLE container.

Both the icon and the image are provided by the OLE server. If the OLE server does not support a contents view, PowerBuilder displays an icon even if DisplayType is set to contents.

Applies to

OLE Object controls

Syntax

PowerBuilder dot notation:

```
dw_control.Object.olecontrolname.DisplayType
```

Describe and Modify argument:

```
"olecontrolname.DisplayType { = ' type ' }"
```

Table 3.71:

Parameter	Description
olecontrolname	The name of the OLE Object control for which you want to get or set the type of display.
type	A number specifying whether the user will see an icon or an image of the OLE object's contents. Type can be a quoted DataWindow expression. Values are: 0 -- Icon 1 -- Content

Usage

In the painter

Select the control and set the value in the Properties view, Options tab.

Examples

```
string ls_data
ls_data = dw1.Object.ole_report.DisplayType
```

```
dw1.Object.ole_report.DisplayType = 1
ls_data = dw1.Describe("ole_report.DisplayType")
dw1.Modify("ole_report.DisplayType='1'")
```

3.3.56 Edit.property

Description

Settings that affect the appearance and behavior of columns whose edit style is Edit.

Applies to

Column controls

Syntax

PowerBuilder dot notation:

```
dw_control.Object.columnname.Edit.property
```

Describe and Modify argument:

```
"columnname.Edit.property { = value }"
```

SyntaxFromSql:

```
Column ( Edit.property = value )
```

Table 3.72:

Parameter	Description
columnname	The column with the Edit edit style for which you want to get or set property values. You can specify the column name or a pound sign (#) and the column number.
property	A property for the column's Edit style. Properties and their settings are listed in the table below. The table identifies the properties you can use with SyntaxFromSql.
value	The value to be assigned to the property. For most Edit properties, you cannot specify a DataWindow expression. The exception is Edit.Format.

Table 3.73:

Property for Edit	Value
AutoHScroll	Whether the edit control scrolls horizontally automatically when data is entered or deleted. Values are: Yes -- Scroll horizontally automatically. No -- Do not scroll horizontally automatically. You can use AutoHScroll with SyntaxFromSql. The setting applies to all the columns in the generated syntax. Painter: Auto Horizontal Scroll option.
AutoSelect	Whether to select the contents of the edit control automatically when it receives focus.

Property for Edit	Value
	<p>Values are:</p> <p>Yes -- Select automatically.</p> <p>No -- Do not select automatically.</p> <p>You can use AutoSelect with SyntaxFromSql. The setting applies to all the columns in the generated syntax.</p> <p>Painter: Auto Selection option.</p>
AutoVScroll	<p>Whether the edit box scrolls vertically automatically when data is entered or deleted.</p> <p>Values are:</p> <p>Yes -- Scroll vertically automatically.</p> <p>No -- Do not scroll vertically automatically.</p> <p>You can use AutoVScroll with SyntaxFromSql. The setting applies to all the columns in the generated syntax.</p> <p>Painter: Auto Vertical Scroll option.</p>
Case	<p>The case of the text in the edit control.</p> <p>Values are:</p> <p>Any -- Character of any case allowed.</p> <p>Upper -- Characters converted to uppercase.</p> <p>Lower -- Characters converted to lowercase.</p> <p>Painter: Case option.</p>
CodeTable	<p>Whether the column has a code table.</p> <p>Values are:</p> <p>Yes -- Code table defined.</p> <p>No -- No code table defined.</p> <p>Painter: Use Code Table option.</p>
DisplayOnly	<p>Whether the column is display only.</p> <p>Values are:</p> <p>Yes -- Do not allow the user to enter data; make the column display only.</p> <p>No -- (Default) Allow the user to enter data.</p> <p>Painter: Display Only option.</p> <p>For conditional control over column editing, use the Protect property.</p>
FocusRectangle	<p>Whether a dotted rectangle (the focus rectangle) surrounds the current row of the column when the column has focus.</p> <p>Values are:</p>

Property for Edit	Value
	<p>Yes -- Display the focus rectangle.</p> <p>No -- Do not display the focus rectangle.</p> <p>You can use FocusRectangle with SyntaxFromSql. The setting applies to all the columns in the generated syntax.</p> <p>Painter: Show Focus Rectangle option.</p>
Format	<p>(exp) A string containing the display format of the edit control. The value for Format is quoted and can be a DataWindow expression.</p> <p>Painter: Format option (do not use quotes around the value).</p>
HScrollBar	<p>Whether a horizontal scroll bar displays in the edit control.</p> <p>Values are:</p> <p>Yes -- Display the horizontal scroll bar.</p> <p>No -- Do not display the horizontal scroll bar.</p> <p>Painter: Horizontal Scroll Bar option.</p>
Limit	<p>A number specifying the maximum number of characters (0 to 32,767) that the user can enter. 0 means unlimited.</p> <p>Painter: Limit option.</p>
Name	<p>A string whose value is the name of the predefined edit style associated with the column. Named styles are defined in the Database painter and can be reused. Specifying a name that has not been previously defined associates the name with the column but does not define a new edit style.</p> <p>Painter: Style Name option.</p>
NullsNull	<p>Whether to set the value of the edit control to null when the user leaves it blank.</p> <p>Values are:</p> <p>Yes -- Make the empty string null.</p> <p>No -- Do not make the empty string null.</p> <p>Painter: Empty String is Null option.</p>
Password	<p>Whether to assign secure display mode to the column. When the user enters characters, they display as asterisks (*).</p> <p>Values are:</p> <p>Yes -- Assign secure display mode to the column.</p> <p>No -- Do not assign secure-display mode to the column.</p> <p>If you change the Password property, you should also change the Format property to display the results you want (for example, *****).</p> <p>Painter: Password option.</p>
Required	<p>Whether the column is required.</p>

Property for Edit	Value
	<p>Values are:</p> <p>Yes -- It is required.</p> <p>No -- It is not required.</p> <p>Painter: Required option.</p>
Style	<p>(Describe only) Returns the edit style of the column.</p> <p>Painter: Style Type option.</p>
UseEllipsis	<p>Whether an ellipsis (three dots) displays when a column with the Edit edit style contains character data that is too long for the display column in the DataWindow.</p> <p>The ellipsis does not display when the column has focus.</p> <p>Values are:</p> <p>Yes -- Truncate the data and add an ellipsis.</p> <p>No -- Truncate the data. Do not add an ellipsis.</p> <p>The property is ignored if you:</p> <ul style="list-style-type: none"> • Check Autosize Height on the Position page or set the Height.Autosize property in a script. • Specify an expression for the Escapement property on the Font page or set the Font.Escapement property in a script to rotate the text. <p>Painter: Use Ellipsis check box on the Format page.</p>
ValidateCode	<p>Whether the code table will be used to validate user-entered values.</p> <p>Values are:</p> <p>Yes -- Use the code table.</p> <p>No -- Do not use the code table.</p> <p>Painter: Validate option, available when Use Code Table is selected.</p>
VScrollBar	<p>Whether a vertical scroll bar displays in the line edit.</p> <p>Values are:</p> <p>Yes -- Display vertical scroll bars.</p> <p>No -- Do not display vertical scroll bars.</p> <p>Painter: Vertical Scroll Bar option.</p>

Usage

In the painter

Select the control and set values in the Properties view, Edit tab, when Style Type is Edit.

Examples

```
string setting
setting = dw1.Object.emp_name.Edit.AutoHScroll
dw1.Object.emp_name.Edit.Required = "no"
setting = dw1.Describe("emp_name.Edit.AutoHScroll")
dw1.Modify("emp_name.Edit.Required=no")

dw1.Object.col1.Edit.UseEllipsis = Yes
dw1.Modify("col1.Edit.UseEllipsis=Yes")
```

3.3.57 EditMask.property

Description

Settings that affect the appearance and behavior of columns with the EditMask edit style.

Applies to

Column controls

Syntax

PowerBuilder dot notation:

```
dw_control.Object.columnname.EditMask.property
```

Describe and Modify argument:

```
"columnname.EditMask.property { = value }"
```

Table 3.74:

Parameter	Description
columnname	The column with the EditMask edit style for which you want to get or set property values. You can specify the column name or a pound sign (#) and the column number.
property	A property for the column's EditMask style. Properties and their settings are listed in the table below.
value	The value to be assigned to the property. For EditMask properties, you cannot specify a DataWindow expression.

Table 3.75:

Property for EditMask	Value
AutoSkip	Whether the EditMask will automatically skip to the next field when the maximum number of characters has been entered. Values are: Yes -- Skip automatically. No -- Do not skip automatically. Painter: AutoSkip option.
CodeTable	Whether the column has a code table. Values are: Yes -- Code table defined. No -- No code table defined.

Property for EditMask	Value
	Painter: Code Table option. When selected, Display Value and DataValue are displayed for specifying code table entries.
DDCalendar	<p>Whether a drop-down calendar control displays when a user clicks in a column with a Date or DateTime edit mask.</p> <p>Values are:</p> <p>Yes -- Drop-down calendar control displays.</p> <p>No -- (Default) Drop-down calendar control does not display.</p> <p>Painter: Drop-down Calendar option.</p>
DDCal_AlignRight	<p>Whether the drop-down calendar is aligned with the right side of the column.</p> <p>Values are:</p> <p>Yes -- Column is right aligned.</p> <p>No -- (Default) Column is left aligned.</p> <p>Painter: Drop Align Right option on Other page.</p>
DDCal_BackColor	<p>The background color of the drop-down calendar. The default is Window Background. This property is not supported on the Windows 8.1/10 operating system.</p> <p>Painter: CalendarBackColor option on Other page.</p>
DDCal_TextColor	<p>The color of text in the drop-down calendar. The default is Window Text. This property is not supported on the Windows 8.1/10 operating system.</p> <p>Painter: CalendarTextColor option on Other page.</p>
DDCal_TitleBackColor	<p>The background color of the title in the drop-down calendar. The default is Highlight. This property is not supported on the Windows 8.1/10 operating system.</p> <p>Painter: CalendarTitleBackColor option on Other page.</p>
DDCal_TitleTextColor	<p>The color of text in the title of the drop-down calendar. The default is Highlight Text. This property is not supported on the Windows 8.1/10 operating system.</p> <p>Painter: CalendarTitleTextColor option on Other page.</p>
DDCal_TrailingTextColor	<p>The color of trailing text (days in the previous and next months) in the drop-down calendar. The default is Disabled Text. This property is not supported on the Windows 7/8.1/10 operating system.</p> <p>Painter: CalendarTrailingTextColor option on Other page.</p>
FocusRectangle	<p>Whether a dotted rectangle (the focus rectangle) will surround the current row of the column when the column has focus.</p> <p>Values are:</p> <p>Yes -- (Default) Display the focus rectangle.</p>

Property for EditMask	Value
	<p>No -- Do not display the focus rectangle.</p> <p>Painter: Show Focus Rectangle option.</p>
Mask	<p>A string containing the edit mask for the column.</p> <p>Painter: Mask option.</p>
ReadOnly	<p>Whether the column is read-only. This property is valid only if EditMask.Spin is set to Yes.</p> <p>Values are:</p> <p>Yes -- Do not allow the user to enter data; make the column read-only.</p> <p>No -- (Default) Allow the user to enter data.</p> <p>Painter: Read Only option.</p>
Required	<p>Whether the column is required.</p> <p>Values are:</p> <p>Yes -- It is required.</p> <p>No -- It is not required.</p> <p>Painter: Required option.</p>
Spin	<p>Whether the user can scroll through a list of possible values for the column with a spin control.</p> <p>Values are:</p> <p>Yes -- Display a spin control.</p> <p>No -- (Default) Do not display a spin control.</p> <p>Painter: Spin Control option.</p>
SpinIncr	<p>An integer indicating the amount to increment the spin control's values. The default for numeric values is 1; for dates, 1 year; and for time, 1 minute. Available for numeric, date, and time columns.</p> <p>For columns that are not numeric, date, or time, the spin control scrolls through values in an associated code table. If the EditMask.CodeTable property is No, the spin increment has no effect for these columns.</p> <p>Painter: Spin Increment option.</p>
SpinRange	<p>A string containing the maximum and minimum values for the column that will display in the spin control. The two values are separated by a tilde (~). This property is effective only if EditMask.Spin is True. Available for numeric, date, and time columns.</p> <p>Because the SpinRange string is within another quoted string, the tilde separator becomes four tildes in PowerBuilder, which reduces to a single tilde when parsed. The format for the string is:</p> <pre data-bbox="395 1984 1391 2009">"EditMask.SpinRange = 'minval~~~~maxval ' "</pre>

Property for EditMask	Value
	Painter: Spin Range group, Spin Min and Spin Max options.
UseEllipsis	<p>Whether an ellipsis (three dots) displays when a column with the EditMask edit style contains character data that is too long for the display column in the DataWindow.</p> <p>The ellipsis does not display when the column has focus.</p> <p>Values are:</p> <p>Yes -- Truncate the data and add an ellipsis.</p> <p>No -- Truncate the data. Do not add an ellipsis.</p> <p>The property is ignored if you:</p> <ul style="list-style-type: none"> • Check Autosize Height on the Position page or set the Height.Autosize property in a script. • Specify an expression for the Escapement property on the Font page or set the Font.Escapement property in a script to rotate the text. <p>Painter: Use Ellipsis check box on the Format page.</p>
UseFormat	<p>Whether a Format Display mask is used for a column's display. A Format Display mask is used only when the column does not have focus.</p> <p>Values are:</p> <p>Yes -- Use a Format Display mask.</p> <p>No -- (Default) Do not use a Format Display mask.</p> <p>Painter: Use Format option.</p>

Usage

In the painter

Select the control and set values in the Properties view, Edit tab, when Style is EditMask.

Examples

```
setting = dw1.Describe("emp_status.EditMask.Spin")
dw1.Modify("empBonus.EditMask.SpinIncr=1000")
dw1.Modify("empBonus.EditMask.SpinRange='0~~~5000'")
string setting
setting = dw1.Object.emp_status.EditMask.Spin
dw1.Object.emp_bonus.EditMask.SpinIncr = 1000
dw1.Object.id.EditMask.SpinRange = "0~~~10"
dw1.Object.coll.EditMask.UseEllipsis = Yes
dw1.Modify("coll.EditMask.UseEllipsis=Yes")
```

3.3.58 Elevation

Description

The elevation in a 3D graph.

Applies to

Graph controls

Syntax

PowerBuilder dot notation:

```
dw_control.Object.graphname.Elevation
```

Describe and Modify argument:

```
"graphname.Elevation { = ' integer ' }"
```

Table 3.76:

Parameter	Description
graphname	The name of the graph control in the DataWindow for which you want to get or set the elevation.
integer	(exp) An integer specifying the elevation of the graph. Elevation can be a quoted DataWindow expression.

Usage**In the painter**

Select the control and set the value in the Properties view, General tab, Elevationscroll bar (enabled when a 3D graph type is selected).

Examples

```
string setting
setting = dw1.Object.graph_1.Elevation
dw1.Object.graph_1.Elevation = 35
setting = dw1.Describe("graph_1.Elevation")
dw1.Modify("graph_1.Elevation=35")
dw1.Modify("graph_1.Elevation='10~tIf(...,20,30)'")
```

3.3.59 EllipseHeight**Description**

The radius of the vertical part of the corners of a RoundedRectangle.

Applies to

RoundedRectangle controls

Syntax

PowerBuilder dot notation:

```
dw_control.Object.rrectname.EllipseHeight
```

Describe and Modify argument:

```
"rrectname.EllipseHeight { = ' integer ' }"
```

Table 3.77:

Parameter	Description
rrectname	The name of the RoundedRectangle control in the DataWindow for which you want to get or set the ellipse height.

Parameter	Description
integer	(exp) An integer specifying the radius of the vertical part of the corners of a RoundedRectangle in the DataWindow's unit of measure. EllipseHeight can be a quoted DataWindow expression.

Usage

In the painter

Select the control and set the value in the Properties view, General tab.

Examples

```
string setting
setting = dw1.Object.rrect_1.EllipseHeight
dw1.Object.rrect_1.EllipseHeight = 35
setting = dw1.Describe("rrect_1.EllipseHeight")
dw1.Modify("rrect_1.EllipseHeight=35")
dw1.Modify("rrect_1.EllipseHeight='10~tIf(...,20,30)'")
```

3.3.60 EllipseWidth

Description

The radius of the horizontal part of the corners of a RoundedRectangle.

Applies to

RoundRectangle controls

Syntax

PowerBuilder dot notation:

```
dw_control.Object.rrectname.EllipseWidth
```

Describe and Modify argument:

```
"rrectname.EllipseWidth { = ' integer ' }"
```

Table 3.78:

Parameter	Description
rrectname	The name of the RoundedRectangle control in the DataWindow for which you want to get or set the ellipse width.
integer	(exp) An integer specifying the radius of the horizontal part of the corners of a RoundedRectangle in the DataWindow's unit of measure. EllipseWidth can be a quoted DataWindow expression.

Usage

In the painter

Select the control and set the value in the Properties view, General tab.

Examples

```
string setting
```



```
setting = dw1.Object.rrect_1.EllipseWidth
dw1.Object.rrect_1.EllipseWidth = 35
setting = dw1.Describe("rrect_1.EllipseWidth")
dw1.Modify("rrect_1.EllipseWidth=35")
dw1.Modify("rrect_1.EllipseWidth='10~tIf(...,20,30)'")
```

3.3.61 Enabled

Description

Determines whether a control in a DataWindow is enabled.

Applies to

Button, Computed Field, Graph, InkPicture, OLE Database Blob, OLE Object, Picture, and Text controls

Syntax

PowerBuilder dot notation:

```
dw_control.Object.buttonname.Enabled
```

Describe and Modify argument:

```
"buttonname.Enabled { = ' value ' }"
```

Table 3.79:

Parameter	Description
buttonname	The name of the button that you want to enable or disable.
value	Whether the button is enabled. Values are: Yes -- (Default) The button is enabled. No -- The button is disabled.

Usage

In the painter

Select the control and set the value in the Properties view General tab, Enabled option.

When the Enabled check box is cleared, or the Enabled property is otherwise set to false, the button control is grayed and its actions are not performed.

Examples

```
dw1.Object.b_name.Enabled = "No"
setting = dw1.Describe("b_name.Enabled")
dw1.Modify("b_name.Enabled = 'No'")
```

3.3.62 Export.PDF.Distill.CustomPostScript

Description

Setting that enables you to specify the PostScript printer driver settings used when data is exported to PDF using the Distill! method.

Applies to

DataWindow objects

Syntax

PowerBuilder dot notation:

```
dw_control.Object.DataWindow.Export.PDF.Distill.CustomPostScript
```

Describe and Modify argument:

```
"DataWindow.Export.PDF.Distill.CustomPostScript { = 'value' }"
```

Table 3.80:

Parameter	Description
value	<p>(exp) Whether the printer specified in the DataWindow.Printer property is used when data is exported to PDF.</p> <p>Values are:</p> <ul style="list-style-type: none"> • 1 -- The printer specified in DataWindow.Printer is used for PDF export. • 0 -- The default printer is used for PDF export (default).

Usage

The Distill! method performs a PostScript "print to file" before distilling to PDF. This property can be set to specify that you want to use a custom PostScript printer before you call the SaveAs method with PDF! as the SaveAsType or select File>Save Rows As with the file type PDF in the DataWindow painter.

Set this property if you want to use a PostScript printer driver for which you have set specific print options such as options for font and graphic handling. If this property is not set, a default PostScript printer driver specifically designed for distilling purposes is used.

This property has no effect if the Export.PDF.Method property is set to NativePDF! or XSLFOP!.

In the painter

In the Data Export tab in the Properties view for the DataWindow object, select "PDF" from the **Format to Configure** list and "Distill!" from the **Method** list, and then select "Distill Custom PostScript".

Examples

This example specifies an HP LaserJet PostScript printer as the printer to be used to export PDF with customized settings, and saves the data to a file called custom.pdf:

```
int li_ret

dw1.Object.DataWindow.Export.PDF.Method = Distill!

dw1.Object.DataWindow.Printer = "HP LaserJet 4Si/4Si MX PostScript"
dw1.Object.DataWindow.Export.PDF.Distill.CustomPostScript="1"

li_ret = dw1.SaveAs("custom.pdf", PDF!, true)
```

This example uses `Modify` to set the PDF export properties and specify a network printer:

```
dw1.Modify ("DataWindow.Export.PDF.Method = Distill!")
dw1.Modify ("Printer = '\\print-server\pr-18' ")
dw1.Modify ("DataWindow.Export.PDF.Distill.CustomPostScript = '1'")
```

See also

[Export.PDF.Method](#)

3.3.63 Export.PDF.Method

Description

Setting that determines whether data is exported to PDF from a DataWindow object by printing to a PostScript file and distilling to PDF, by saving to PDF via PDFlib, or by saving in XSL Formatting Objects (XSL-FO) format and processing to PDF.

Applies to

DataWindow objects

Syntax

PowerBuilder dot notation:

```
dw_control.Object.DataWindow.Export.PDF.Method
```

Describe and Modify argument:

```
"DataWindow.Export.PDF.Method { = 'value' }"
```

Table 3.81:

Parameter	Description
value	A string specifying a value of the PDFMethod enumerated datatype

Usage

This property can be set to specify the method used to export data to PDF before you call the `SaveAs` method with PDF! as the `SaveAsType` or select `File>Save Rows As` with the file type PDF in the DataWindow painter. If this property is not set, the `distill` method is used by default.

PDFMethod is an enumerated datatype that can hold the following values:

Table 3.82:

Enumerated value	Numeric value	Meaning
Distill!	0	Data is printed to a PostScript file and distilled to PDF (default).
XSLFOP!	1	Data is saved as XSL-FO and processed to PDF.
NativePDF!	2	Data is saved to PDF using PDFlib.

The distill method and the PDFlib method provides a robust solution that can save all types of DataWindow objects on the Windows platform. The XSL-FO method uses a platform-independent Java process, and is particularly useful for printing DataWindow objects in the server on a UNIX operating system.

Saving as XSL-FO

You can also save the data in a DataWindow object in XSL-FO format and customize the filters used to convert it to PDF and other output formats. To do so, use XSLFO! as the SaveAsType parameter when you call SaveAs, or select XSL-FO as the file type when you save rows in the DataWindow painter.

Deployment requirements

If your application uses the distill method, you must distribute the GNU Ghostscript files and default PostScript printer driver and related files (if using the default printer) with your application. If your application uses the XSL-FO method, you must distribute Apache FOP files and the Java Runtime Environment (JRE) with your application. For more information, see Section 9.2, “Deploying Applications and Components” in *Application Techniques*.

In the painter

On the Data Export page in the Properties view for the DataWindow object, select "PDF" from the **Format to Configure** list and "Distill!", "NativePDF!", or "XSLFOP!" from the **Method** list.

Examples

This statement specifies that data is exported to PDF using XSL-FO:

```
dw1.Modify ( "DataWindow.Export.PDF.Method = XSLFOP! " )
```

See also

[Export.PDF.Distill.CustomPostScript](#)

[Export.PDF.XSLFOP.Print](#)

[Export.PDF.NativePDF.Author](#)

[Export.PDF.NativePDF.CustomOrientation](#)

[Export.PDF.NativePDF.CustomSize](#)

[Export.PDF.NativePDF.ImageFormat](#)

[Export.PDF.NativePDF.Keywords](#)

[Export.PDF.NativePDF.MasterPassword](#)

[Export.PDF.NativePDF.PDFStandard](#)

[Export.PDF.NativePDF.Restrictions](#)

[Export.PDF.NativePDF.Subject](#)

[Export.PDF.NativePDF.UserPassword](#)

[Export.PDF.NativePDF.UsePrintSpec](#)

Section 6.2.3.1, “Saving the data as PDF” in *Users Guide*

3.3.64 Export.PDF.NativePDF.Author

Description

Setting that enables you to specify the author for the PDF file when you use the PDFlib method to save data from a DataWindow object to a PDF file.

Applies to

DataWindow objects

Syntax

PowerBuilder dot notation:

```
dw_control.Object.DataWindow.Export.PDF.NativePDF.Author
```

Describe argument:

```
"DataWindow.Export.PDF.NativePDF.Author { = 'value' }"
```

Table 3.83:

Parameter	Description
value	A string specifying the author for the PDF file.

Usage

In the painter

Input the author in the Data Export tab in the Properties view for the DataWindow object.

Examples

This example specifies the author for the PDF file, and saves the data to a file called custom.pdf:

```
int li_ret
dw1.Object.DataWindow.Export.PDF.Method = NativePDF!
dw1.Object.DataWindow.Export.PDF.NativePDF.author = "Kate M."
dw1.Object.DataWindow.Export.PDF.NativePDF.subject = "Sales Data Report"
dw1.Object.DataWindow.Export.PDF.NativePDF.keywords = "Product A"
li_ret = dw1.SaveAs("custom.pdf", PDF!, true)
```

This example uses Modify to specify the author for the PDF file:

```
dw1.Modify("DataWindow.Export.PDF.NativePDF.Author = 'Kate M.'")
```

See also

[Export.PDF.Method](#)

[Export.PDF.NativePDF.CustomOrientation](#)

[Export.PDF.NativePDF.CustomSize](#)

[Export.PDF.NativePDF.ImageFormat](#)

[Export.PDF.NativePDF.Keywords](#)

[Export.PDF.NativePDF.MasterPassword](#)

[Export.PDF.NativePDF.PDFStandard](#)

[Export.PDF.NativePDF.Restrictions](#)

[Export.PDF.NativePDF.Subject](#)[Export.PDF.NativePDF.UserPassword](#)[Export.PDF.NativePDF.UsePrintSpec](#)[Print.property](#)

3.3.65 Export.PDF.NativePDF.CustomOrientation

Description

Setting that enables you to specify the page orientation when you use the PDFlib method to save data from a DataWindow object to a PDF file.

Applies to

DataWindow objects

Syntax

PowerBuilder dot notation:

```
dw_control.Object.DataWindow.Export.PDF.NativePDF.CustomOrientation
```

Describe argument:

```
"DataWindow.Export.PDF.NativePDF.CustomOrientation { = 'value' }"
```

Table 3.84:

Parameter	Description
value	<p>(exp) An integer indicating the page orientation.</p> <p>Values are:</p> <ul style="list-style-type: none"> • 0 - The orientation which is set in the Print Specification page in the DataWindow object's Properties view. • 1 - Landscape • 2 - Portrait

Usage

In the painter

Select an orientation mode from the **Orientation** list in the Data Export tab in the Properties view for the DataWindow object.

Examples

This example exports PDF in portrait mode, and saves the data to a file called custom.pdf:

```
int li_ret
dw1.Object.DataWindow.Export.PDF.NativePDF.UsePrintSpec = 'No'
dw1.Object.DataWindow.Export.PDF.Method = NativePDF!
dw1.Object.DataWindow.Export.PDF.NativePDF.CustomOrientation = '2'
li_ret = dw1.SaveAs("custom.pdf", PDF!, true)
```

This example uses Modify to export PDF in portrait mode:

```

dw1.Modify("DataWindow.Export.PDF.NativePDF.UsePrintSpec = No")
dw1.Modify("DataWindow.Export.PDF.Method = NativePDF!")
dw1.Modify("DataWindow.Export.PDF.NativePDF.CustomOrientation = '2'")

```

See also[Export.PDF.Method](#)[Export.PDF.NativePDF.Author](#)[Export.PDF.NativePDF.CustomSize](#)[Export.PDF.NativePDF.ImageFormat](#)[Export.PDF.NativePDF.Keywords](#)[Export.PDF.NativePDF.MasterPassword](#)[Export.PDF.NativePDF.PDFStandard](#)[Export.PDF.NativePDF.Restrictions](#)[Export.PDF.NativePDF.Subject](#)[Export.PDF.NativePDF.UserPassword](#)[Export.PDF.NativePDF.UsePrintSpec](#)[Print.property](#)**3.3.66 Export.PDF.NativePDF.CustomSize****Description**

Setting that enables you to specify the paper size when you use the PDFlib method to save data from a DataWindow object to a PDF file.

Applies to

DataWindow objects

Syntax

PowerBuilder dot notation:

```
dw_control.Object.DataWindow.Export.PDF.NativePDF.CustomSize
```

Describe argument:

```
"DataWindow.Export.PDF.NativePDF.CustomSize { = 'value' }"
```

Table 3.85:

Parameter	Description
value	<p>(exp) An integer indicating the paper size.</p> <p>Values are:</p> <ul style="list-style-type: none"> • 0 - Default paper size which is A4 by default. • 1 - A1 594 x 841 mm • 2 - A2 420 x 594 mm

Parameter	Description
	<ul style="list-style-type: none">• 3 - A3 297 x 420 mm• 4 - A4 210 x 297 mm• 5 - Letter 8 1/2 x 11 in• 6 - Legal 8 1/2 x 14 in

Usage

In the painter

Select a size from the **Paper Size** list in the Data Export tab in the Properties view for the DataWindow object.

Examples

This example exports PDF with A4 paper size, and saves the data to a file called custom.pdf:

```
int li_ret  
dw1.Object.DataWindow.Export.PDF.NativePDF.UsePrintSpec = 'No'  
dw1.Object.DataWindow.Export.PDF.Method = NativePDF!  
dw1.Object.DataWindow.Export.PDF.NativePDF.CustomSize = '0'  
li_ret = dw1.SaveAs("custom.pdf", PDF!, true)
```

This example uses Modify to set the PDF export properties:

```
dw1.Modify("DataWindow.Export.PDF.NativePDF.UsePrintSpec = No")  
dw1.Modify("DataWindow.Export.PDF.Method = NativePDF!")  
dw1.Modify("DataWindow.Export.PDF.NativePDF.CustomSize = '0'")
```

See also

[Export.PDF.Method](#)

[Export.PDF.NativePDF.Author](#)

[Export.PDF.NativePDF.CustomOrientation](#)

[Export.PDF.NativePDF.ImageFormat](#)

[Export.PDF.NativePDF.Keywords](#)

[Export.PDF.NativePDF.MasterPassword](#)

[Export.PDF.NativePDF.PDFStandard](#)

[Export.PDF.NativePDF.Restrictions](#)

[Export.PDF.NativePDF.Subject](#)

[Export.PDF.NativePDF.UserPassword](#)

[Export.PDF.NativePDF.UsePrintSpec](#)

[Print.property](#)

3.3.67 Export.PDF.NativePDF.ImageFormat

Description

Setting that enables you to select a format for the embedded images in the PDF file when you use the PDFlib method to save data from a DataWindow object to a PDF file.

Applies to

DataWindow objects

Syntax

PowerBuilder dot notation:

```
dw_control.Object.DataWindow.Export.PDF.NativePDF.ImageFormat
```

Describe argument:

```
"DataWindow.Export.PDF.NativePDF.ImageFormat { = 'value' }"
```

Table 3.86:

Parameter	Description
value	<p>(exp) An integer indicating the file format of the embedded images in the DataWindow object.</p> <p>Values are:</p> <ul style="list-style-type: none"> • 0 - (Default) BMP • 1 - JPG • 2 - PNG • 3 - GIF <p>The image format affects the speed of creating the PDF file and the size of the PDF file.</p> <p>In the order from the fastest to the lowest: JPG, BMP, PNG, GIF</p> <p>In the order from the smallest to the biggest: JPG, GIF, BMP, PNG</p>

Examples

This example saves the embedded image as JPG format, and saves the data to a file called custom.pdf:

```
int li_ret
dw_1.Object.DataWindow.Export.PDF.Method = NativePDF!
dw_1.Object.DataWindow.Export.PDF.NativePDF.ImageFormat = '1' //JPG
li_ret = dw_1.SaveAs("c:\custom.pdf",PDF!, true)
```

This example uses Modify to set the PDF print properties:

```
dw1.Modify("DataWindow.Export.PDF.Method = NativePDF!")
dw1.Modify("DataWindow.Export.PDF.NativePDF.ImageFormat = '1'")
```

See also

[Export.PDF.Method](#)

[Export.PDF.NativePDF.Author](#)

[Export.PDF.NativePDF.CustomOrientation](#)[Export.PDF.NativePDF.CustomSize](#)[Export.PDF.NativePDF.Keywords](#)[Export.PDF.NativePDF.MasterPassword](#)[Export.PDF.NativePDF.PDFStandard](#)[Export.PDF.NativePDF.Restrictions](#)[Export.PDF.NativePDF.Subject](#)[Export.PDF.NativePDF.UserPassword](#)[Export.PDF.NativePDF.UsePrintSpec](#)[Print.property](#)

3.3.68 Export.PDF.NativePDF.Keywords

Description

Setting that enables you to specify the keywords for the PDF file when you use the PDFlib method to save data from a DataWindow object to a PDF file.

Applies to

DataWindow objects

Syntax

PowerBuilder dot notation:

```
dw_control.Object.DataWindow.Export.PDF.NativePDF.Keywords
```

Describe argument:

```
"DataWindow.Export.PDF.NativePDF.Keywords { = 'value' }"
```

Table 3.87:

Parameter	Description
value	A string specifying the keywords for the PDF file.

Usage

In the painter

Input the keywords in the Data Export tab in the Properties view for the DataWindow object.

Examples

This example specifies the keywords for the PDF file, and saves the data to a file called custom.pdf:

```
int li_ret
dw1.Object.DataWindow.Export.PDF.Method = NativePDF!
dw1.Object.DataWindow.Export.PDF.NativePDF.keywords = "Product A"
li_ret = dw1.SaveAs("custom.pdf", PDF!, true)
```

This example uses Modify to specify the keywords for the PDF file:

```
dw1.Modify("DataWindow.Export.PDF.NativePDF.Keywords = 'Product A'")
```

See also[Export.PDF.Method](#)[Export.PDF.NativePDF.Author](#)[Export.PDF.NativePDF.CustomOrientation](#)[Export.PDF.NativePDF.CustomSize](#)[Export.PDF.NativePDF.ImageFormat](#)[Export.PDF.NativePDF.MasterPassword](#)[Export.PDF.NativePDF.PDFStandard](#)[Export.PDF.NativePDF.Restrictions](#)[Export.PDF.NativePDF.Subject](#)[Export.PDF.NativePDF.UserPassword](#)[Export.PDF.NativePDF.UsePrintSpec](#)[Print.property](#)**3.3.69 Export.PDF.NativePDF.MasterPassword****Description**

Setting that enables you to set a password for changing the security settings and permissions (copy/print/edit/etc.) of the generated PDF file, when you use the PDFlib method to save data from a DataWindow object to a PDF file. Therefore, this master password is also referred to as owner or permissions password.

Applies to

DataWindow objects

Syntax

PowerBuilder dot notation:

```
dw_control.Object.DataWindow.Export.PDF.NativePDF.MasterPassword
```

Describe argument:

```
"DataWindow.Export.PDF.NativePDF.MasterPassword { = 'value' }"
```

Table 3.88:

Parameter	Description
value	<p>(exp) The password for the administration permissions of the generated PDF file.</p> <p>The value can be a string containing at least one character or no more than 37 characters. If more than 37 characters are set, the first 37 characters will be used as the password. The characters must be printable ASCII characters. Any unprintable ASCII characters will cause PB dot notation to throw an exception.</p>

Usage

Once you set the master password, the user with the master password automatically has the permission of opening the file and all other permissions (such as copying, printing, editing etc.) to the PDF file.

Once you set the master password, you can further control the access restrictions of the file, for example, restrict opening the file by setting the [Export.PDF.NativePDF.UserPassword](#) property, or restrict copying/printing/editing/etc. the file by setting the [Export.PDF.NativePDF.Restrictions](#) property. If the master password is empty, it indicates no master password or user password is required to open the file or copy/print/edit the file (which means any one can open the file and copy/print/edit the file with no restrictions).

The master password cannot be the same as the user password which is set by the [Export.PDF.NativePDF.UserPassword](#) property, otherwise SaveAs function will fail and return -1.

This property takes no effect for files created using PDF/A standard.

Examples

This example sets the user password and the master password, and saves the data to a file called custom.pdf:

```
int li_ret
dw_1.Object.DataWindow.Export.PDF.Method = NativePDF!
dw_1.Object.DataWindow.Export.PDF.NativePDF.UserPassword = '123'
dw_1.Object.DataWindow.Export.PDF.NativePDF.MasterPassword = '456'
li_ret = dw_1.SaveAs("c:\custom.pdf",PDF!, true)
```

This example uses Modify to set the user password and the master password:

```
dw1.Modify("DataWindow.Export.PDF.Method = NativePDF!")
dw1.Modify("DataWindow.Export.PDF.NativePDF.UserPassword='123'")
dw1.Modify("DataWindow.Export.PDF.NativePDF.MasterPassword='456'")
```

See also

[Export.PDF.Method](#)

[Export.PDF.NativePDF.Author](#)

[Export.PDF.NativePDF.CustomOrientation](#)

[Export.PDF.NativePDF.CustomSize](#)

[Export.PDF.NativePDF.ImageFormat](#)

[Export.PDF.NativePDF.Keywords](#)

[Export.PDF.NativePDF.PDFStandard](#)

[Export.PDF.NativePDF.Restrictions](#)

[Export.PDF.NativePDF.Subject](#)

[Export.PDF.NativePDF.UserPassword](#)

[Export.PDF.NativePDF.UsePrintSpec](#)

[Print.property](#)

3.3.70 Export.PDF.NativePDF.PDFStandard

Description

Setting that enables you to select a PDF conformance level when you use the PDFlib method to save data from a DataWindow object to a PDF file.

Applies to

DataWindow objects

Syntax

PowerBuilder dot notation:

```
dw_control.Object.DataWindow.Export.PDF.NativePDF.PDFStandard
```

Describe argument:

```
"DataWindow.Export.PDF.NativePDF.PDFStandard { = 'value' }"
```

Table 3.89:

Parameter	Description
value	<p>(exp) An integer indicating the level of PDF conformance.</p> <p>Values are:</p> <ul style="list-style-type: none"> • 0 - None. • 1 - PDF/A-1a • 2 - PDF/A-1b • 3 - PDF/A-3a • 4 - PDF/A-3b • 5 - PDF/A-3u

Usage

In the painter

Select a value from the PDF Conformance list in the Data Export tab in the Properties view for the DataWindow object.

Examples

This example exports PDF using PDF/A-1a standard, and saves the data to a file called custom.pdf:

```
int li_ret
dw_1.Object.DataWindow.Export.PDF.Method = NativePDF!
dw_1.Object.DataWindow.Export.PDF.NativePDF.PDFStandard = '1' //PDF/A-1a
li_ret = dw_1.SaveAs("c:\custom.pdf",PDF!, true)
```

This example uses Modify to set the PDF print properties:

```
dw1.Modify("DataWindow.Export.PDF.Method = NativePDF!")
dw1.Modify("DataWindow.Export.PDF.NativePDF.PDFStandard = '1'")
```

See also

[Export.PDF.Method](#)[Export.PDF.NativePDF.Author](#)[Export.PDF.NativePDF.CustomOrientation](#)[Export.PDF.NativePDF.CustomSize](#)[Export.PDF.NativePDF.ImageFormat](#)[Export.PDF.NativePDF.Keywords](#)[Export.PDF.NativePDF.MasterPassword](#)[Export.PDF.NativePDF.Restrictions](#)[Export.PDF.NativePDF.Subject](#)[Export.PDF.NativePDF.UserPassword](#)[Export.PDF.NativePDF.UsePrintSpec](#)[Print.property](#)

3.3.71 Export.PDF.NativePDF.Restrictions

Description

Setting that enables you to specify the permission settings that restrict certain actions (such as copying/printing/editing) of the generated PDF file, when you use the PDFlib method to save data from a DataWindow object to a PDF file.

Applies to

DataWindow objects

Syntax

PowerBuilder dot notation:

```
dw_control.Object.DataWindow.Export.PDF.NativePDF.Restrictions
```

Describe argument:

```
"DataWindow.Export.PDF.NativePDF.Restrictions { = 'value' }"
```

Table 3.90:

Parameter	Description
value	<p>(exp) The password for opening the generated PDF file.</p> <p>The value can be a string containing one or more of the following values (separated by ","):</p> <ul style="list-style-type: none"> • noprint! - Acrobat will prevent printing the file. • nohighresprint! - Acrobat will prevent high-resolution printing. If noprint is not set, printing is restricted to the print as image feature which prints a low-resolution rendition of the page. • nomodify! - Acrobat will prevent editing or cropping pages and creating or changing form fields.

Parameter	Description
	<ul style="list-style-type: none"> • noassemble! - Acrobat will prevent inserting, deleting, or rotating pages and creating bookmarks and thumbnails. • noannots! - Acrobat will prevent creating or changing annotations and form fields. • noforms! - Acrobat will prevent form field filling. (implies nomodify and noannots) • nocopy! - Acrobat will prevent copying and extracting text or graphics; the accessibility interface will be controlled by noaccessible. • noaccessible! - (Obsolete in PDF 2.0; not allowed in PDF/UA-1) Acrobat will prevent extracting text or graphics for accessibility • plainmetadata! - (PDF 1.5) Keep XMP document metadata unencrypted even in an encrypted document.

Usage

If you set the restrictions of the PDF file, you must also set the master password by the [Export.PDF.NativePDF.MasterPassword](#) property. There must be a value specified for the restriction property, otherwise syntax error may occur. If you do not want to set any restriction, please set [Export.PDF.NativePDF.MasterPassword](#) to empty, which indicates no master password or user password is required to open the file or copy/print/edit the file (which means any one can open the file and copy/print/edit the file with no restrictions).

If you set restrictions without setting the user password, a user can open the PDF file, and has the permissions specified by the restriction property.

This property takes no effect for files created using PDF/A standard.

Examples

This example prevents the PDF file being printed and copied, sets the master password, and saves the data to a file called custom.pdf:

```
int li_ret
dw_1.Object.DataWindow.Export.PDF.Method = NativePDF!
dw_1.Object.DataWindow.Export.PDF.NativePDF.Restrictions = 'noprint!,nocopy!'
dw_1.Object.DataWindow.Export.PDF.NativePDF.MasterPassword = '456'
li_ret = dw_1.SaveAs("c:\custom.pdf",PDF!, true)
```

This example uses **Modify** to set the restrictions and the master password:

```
dw1.Modify("DataWindow.Export.PDF.Method = NativePDF!")
dw1.Modify("DataWindow.Export.PDF.NativePDF.Restrictions='noprint!,nocopy!'")
dw1.Modify("DataWindow.Export.PDF.NativePDF.MasterPassword='456'")
```

See also

[Export.PDF.Method](#)

[Export.PDF.NativePDF.Author](#)

[Export.PDF.NativePDF.CustomOrientation](#)

[Export.PDF.NativePDF.CustomSize](#)[Export.PDF.NativePDF.ImageFormat](#)[Export.PDF.NativePDF.Keywords](#)[Export.PDF.NativePDF.MasterPassword](#)[Export.PDF.NativePDF.PDFStandard](#)[Export.PDF.NativePDF.Subject](#)[Export.PDF.NativePDF.UserPassword](#)[Export.PDF.NativePDF.UsePrintSpec](#)[Print.property](#)

3.3.72 Export.PDF.NativePDF.Subject

Description

Setting that enables you to specify the subject for the PDF file when you use the PDFlib method to save data from a DataWindow object to a PDF file.

Applies to

DataWindow objects

Syntax

PowerBuilder dot notation:

```
dw_control.Object.DataWindow.Export.PDF.NativePDF.Subject
```

Describe argument:

```
"DataWindow.Export.PDF.NativePDF.Subject { = 'value' }"
```

Table 3.91:

Parameter	Description
value	A string specifying the subject for the PDF file.

Usage

In the painter

Input the subject in the Data Export tab in the Properties view for the DataWindow object.

Examples

This example specifies the subject for the PDF file, and saves the data to a file called custom.pdf:

```
int li_ret
dw1.Object.DataWindow.Export.PDF.Method = NativePDF!
dw1.Object.DataWindow.Export.PDF.NativePDF.author = "Kate M."
dw1.Object.DataWindow.Export.PDF.NativePDF.subject = "Sales Data Report"
dw1.Object.DataWindow.Export.PDF.NativePDF.keywords = "Product A"
li_ret = dw1.SaveAs("custom.pdf", PDF!, true)
```

This example uses Modify to specify the subject for the PDF file:

```
dw1.Modify("DataWindow.Export.PDF.NativePDF.Subject = 'Sales Data Report'")
```


See also[Export.PDF.Method](#)[Export.PDF.NativePDF.Author](#)[Export.PDF.NativePDF.CustomOrientation](#)[Export.PDF.NativePDF.CustomSize](#)[Export.PDF.NativePDF.ImageFormat](#)[Export.PDF.NativePDF.Keywords](#)[Export.PDF.NativePDF.MasterPassword](#)[Export.PDF.NativePDF.PDFStandard](#)[Export.PDF.NativePDF.Restrictions](#)[Export.PDF.NativePDF.UserPassword](#)[Export.PDF.NativePDF.UsePrintSpec](#)[Print.property](#)**3.3.73 Export.PDF.NativePDF.UserPassword****Description**

Setting that enables you to set a password for opening the generated PDF file, when you use the PDFlib method to save data from a DataWindow object to a PDF file. Therefore, this user password is also referred to as open password.

Applies to

DataWindow objects

Syntax

PowerBuilder dot notation:

```
dw_control.Object.DataWindow.Export.PDF.NativePDF.UserPassword
```

Describe argument:

```
"DataWindow.Export.PDF.NativePDF.UserPassword { = 'value' }"
```

Table 3.92:

Parameter	Description
value	<p>(exp) The password for opening the generated PDF file.</p> <p>The value can be a string containing at least one character or no more than 37 characters. If more than 37 characters are set, the first 37 characters will be used as the password. The characters must be printable ASCII characters. Any unprintable ASCII characters will cause PB dot notation to throw an exception.</p> <p>When the value is empty, it indicates no password is required to open the file.</p>

Usage

If you set the user password for opening the PDF file, you must also set the master password by the [Export.PDF.NativePDF.MasterPassword](#) property. If the master password is empty, it indicates no master password or user password is required to open the file or copy/print/edit the file (which means any one can open the file and copy/print/edit the file with no restrictions).

If you set the user password without setting the restrictions, a user with the user password can open the PDF file for viewing only. You can use the [Export.PDF.NativePDF.Restrictions](#) property to set whether the user with the user password can have permissions of printing, copying, editing etc.

The user password and the master password cannot be the same, otherwise SaveAs function will fail and return -1.

If a PDF file requires a password to open, you can either input the user password or the master password. When inputting the user password, you will have the permissions set by the [Export.PDF.NativePDF.Restrictions](#) property; when inputting the master password, you automatically have access to all of the the permissions.

This property takes no effect for files created using PDF/A standard.

Examples

This example sets the user password and the master password, and saves the data to a file called custom.pdf:

```
int li_ret
dw_1.Object.DataWindow.Export.PDF.Method = NativePDF!
dw_1.Object.DataWindow.Export.PDF.NativePDF.UserPassword = '123'
dw_1.Object.DataWindow.Export.PDF.NativePDF.MasterPassword = '456'
li_ret = dw_1.SaveAs("c:\custom.pdf",PDF!, true)
```

This example uses Modify to set the user password and the master password:

```
dw1.Modify("DataWindow.Export.PDF.Method = NativePDF!")
dw1.Modify("DataWindow.Export.PDF.NativePDF.UserPassword='123'")
dw1.Modify("DataWindow.Export.PDF.NativePDF.MasterPassword='456'")
```

See also

[Export.PDF.Method](#)

[Export.PDF.NativePDF.Author](#)

[Export.PDF.NativePDF.CustomOrientation](#)

[Export.PDF.NativePDF.CustomSize](#)

[Export.PDF.NativePDF.ImageFormat](#)

[Export.PDF.NativePDF.Keywords](#)

[Export.PDF.NativePDF.MasterPassword](#)

[Export.PDF.NativePDF.PDFStandard](#)

[Export.PDF.NativePDF.Restrictions](#)

[Export.PDF.NativePDF.Subject](#)

[Export.PDF.NativePDF.UsePrintSpec](#)

[Print.property](#)

3.3.74 Export.PDF.NativePDF.UsePrintSpec

Description

Setting that enables you to use the page orientation and paper size settings in the Print Specifications tab or in the Print.Orientation and Print.Paper.Size properties, when you use the PDFlib method to save data from a DataWindow object to a PDF file.

Applies to

DataWindow objects

Syntax

PowerBuilder dot notation:

```
dw_control.Object.DataWindow.Export.PDF.NativePDF.UsePrintSpec
```

Describe argument:

```
"DataWindow.Export.PDF.NativePDF.UsePrintSpec { = 'value' }"
```

Table 3.93:

Parameter	Description
value	<p>(exp) Whether to use the settings in the print specifications or not.</p> <p>Values are:</p> <ul style="list-style-type: none"> • Yes - Use the settings in the Print Specifications page or in the Print.Orientation and Print.Paper.Size properties. • No - (Default) Use the settings in the Data Export page or in the Export.PDF.NativePDF.CustomOrientation and Export.PDF.NativePDF.CustomSize properties.

Usage

In the painter

Select the **"Use Paper Size and Orientation Settings from Print Specifications"** checkbox in the Data Export tab in the Properties view for the DataWindow object.

Examples

This example exports PDF with Letter paper size in Landscape mode, and saves the data to a file called custom.pdf:

```
int li_ret
dw_1.Object.DataWindow.Export.PDF.NativePDF.UsePrintSpec = 'Yes'
dw_1.Object.DataWindow.Export.PDF.Method = NativePDF!
dw_1.Object.DataWindow.Print.Orientation = '1' //Landscape!
dw_1.Object.DataWindow.Print.Paper.Size = '1' //1 - Letter 8 1/2 x 11 in
li_ret = dw_1.SaveAs("c:\custom.pdf",PDF!, true)
```

This example uses Modify to set the PDF print properties:

```
dw1.Modify("DataWindow.Export.PDF.NativePDF.UsePrintSpec = Yes")
dw1.Modify("DataWindow.Export.PDF.Method = NativePDF!")
dw1.Modify("DataWindow.Export.Print.Orientation = '1'")
dw1.Modify("DataWindow.Export.Print.Paper.Size = '1'")
```

See also[Export.PDF.Method](#)[Export.PDF.NativePDF.Author](#)[Export.PDF.NativePDF.CustomOrientation](#)[Export.PDF.NativePDF.CustomSize](#)[Export.PDF.NativePDF.ImageFormat](#)[Export.PDF.NativePDF.Keywords](#)[Export.PDF.NativePDF.MasterPassword](#)[Export.PDF.NativePDF.PDFStandard](#)[Export.PDF.NativePDF.Restrictions](#)[Export.PDF.NativePDF.Subject](#)[Export.PDF.NativePDF.UserPassword](#)[Print.property](#)**3.3.75 Export.PDF.XSLFOP.Print****Description**

Setting that enables you to send a DataWindow object directly to a printer using platform-independent Java printing when using the XSL-FO method to export to PDF. This is an option of the Apache FOP processor.

Applies to

DataWindow objects

Syntax

PowerBuilder dot notation:

```
dw_control.Object.DataWindow.Export.PDF.XSLFOP.Print
```

Describe argument:

```
"DataWindow.Export.PDF.XSLFOP.Print { = 'value' }"
```

Table 3.94:

Parameter	Description
value	<p>(exp) Whether the exported PDF is sent directly to the default printer.</p> <p>Values are:</p> <ul style="list-style-type: none"> • Yes -- The DataWindow object is exported to a PDF file and sent directly to a printer. • No -- The DataWindow object is exported to a PDF file but is not printed (default).

Usage

Set this property if you are using the XSL-FO method to export a DataWindow object to a PDF file and you want to send the PDF file directly to a printer. The PDF file is always printed to the default system printer. The DataWindow.Printer property setting is ignored.

This property has no effect if the Export.PDF.Method property is set to NativePDF! or Distill!.

In the painter

On the Data Export page in the Properties view for the DataWindow object, select PDF from the Format to Configure list and XSLFOP! from the Method list, and then select Print Using XSLFOP.

Examples

This example specifies the XSLFOP! method for PDF export, sets the XSLFOP.Print property, and saves the data to a file called printed.pdf, which is sent directly to the default printer:

```
int li_ret  
  
dw1.Object.DataWindow.Export.PDF.Method = XSLFOP!  
dw1.Object.DataWindow.Export.PDF.xslfop.print='Yes'  
li_ret = dw1.SaveAs("printed.pdf", PDF!, true)
```

See also

[Export.PDF.Method](#)

3.3.76 Export.XHTML.TemplateCount

Description

The number of XHTML export templates associated with a DataWindow object.

Applies to

DataWindow objects

Syntax

PowerBuilder dot notation:

```
dw_control.Object.DataWindow.Export.XHTML.TemplateCount
```

Describe argument:

```
"DataWindow.Export.XHTML.TemplateCount"
```

Usage

This property is used to get a count of the XHTML export templates associated with a DataWindow object. It returns a long specifying the number of XHTML export templates previously saved in the DataWindow painter for the specified DataWindow object. The count is used with the DataWindow.Export.XHTML.Template[].Name property to enable an application to select an export template at runtime.

Examples

This code in the open event of a window uses the TemplateCount property to get the number of templates associated with dw1. It then uses the number returned as the upper

limit in a FOR loop that populates a drop-down list box with the template names, using the `DataWindow.Export.XHTML.Template[].Name` property.

```
string ls_template_name
long l_template_count, i

l_template_count = Long &
    (dwl.Object.DataWindow.Export.XHTML.TemplateCount)

for i=1 to l_template_count)
    ls_template_name = &
        dwl.Object.DataWindow.Export.XHTML.Template[i].Name
    ddlb_1.AddItem(ls_template_name)
next
```

Before generating the XHTML, set the export template using the text in the drop-down list box:

```
dwl.Object.DataWindow.Export.XHTML.UseTemplate = ddlb_1.text
```

See also

[Export.XHTML.Template\[\].Name](#)

[Export.XHTML.UseTemplate](#)

3.3.77 Export.XHTML.Template[].Name

Description

The name of an XHTML export template associated with a DataWindow object.

Applies to

DataWindow objects

Syntax

PowerBuilder dot notation:

```
dw_control.Object.DataWindow.Export.XHTML.Template[ num ].Name
```

Describe argument:

```
"DataWindow.Export.XHTML.Template[ num ]Name"
```

Table 3.95:

Parameter	Description
num	(exp) A long specifying the index of the export template

Usage

This property returns the names of the XHTML export templates associated with a DataWindow object by index. The index can range from 1 to the value of the `DataWindow.Export.XHTML.TemplateCount` property. The order reflects the serialized storage order of all templates, which is a read-only setting. These properties, with `DataWindow.Export.XHTML.UseTemplate`, enable an application to select an export template dynamically at runtime.

Examples

See [Export.XHTML.TemplateCount](#).

See also

[Export.XHTML.TemplateCount](#)

[Export.XHTML.UseTemplate](#)

3.3.78 Export.XHTML.UseTemplate

Description

Setting that optionally controls the logical structure of the XHTML generated by a DataWindow object from a DataWindow data expression using dot notation.

Applies to

DataWindow objects

Syntax

PowerBuilder dot notation:

```
dw_control.Object.DataWindow.Export.XHTML.UseTemplate
```

Describe and Modify argument:

```
"DataWindow.Export.XHTML.UseTemplate { = 'value' }"
```

Table 3.96:

Parameter	Description
value	(exp) A string specifying the name of an XHTML export template previously saved in the DataWindow painter for the specified DataWindow object

Usage

This property uses a template defined in the DataWindow painter to specify the logical structure and attribute overrides that PowerBuilder should use to generate XHTML from a DataWindow object. It is designed to be used with the data expression for the DataWindow object, and should be set before a data expression statement.

In the painter

In the Data Export tab in the Properties view for the DataWindow object, select XHTML from the Format to Configure list and select a template from the Use Template list.

Examples

This example stores the name of the export template used in dw1 in the string ls_template. If no template is selected in dw1, an empty string is returned.

```
string ls_template_name
ls_template_name = dw1.Describe ("DataWindow.Export.XHTML.UseTemplate")
```

This example sets the name of the current XHTML export template used in dw1 to t_report. If t_report does not exist, the current template is not changed.

```
dw1.Modify("DataWindow.Export.XHTML.UseTemplate = 't_report' ")
```

See also

[Export.XHTML.TemplateCount](#)

[Export.XHTML.Template\[\].Name](#)

3.3.79 Export.XML.HeadGroups

Description

Setting that causes elements, attributes, and all other items above the Detail Start element in an XML export template for a group DataWindow to be iterated for each group in the exported XML.

Applies to

DataWindow objects

Syntax

PowerBuilder dot notation:

```
dw_control.Object.DataWindow.Export.XML.HeadGroups
```

Describe and Modify argument:

```
"DataWindow.Export.XML.HeadGroups { = 'value ' }"
```

Table 3.97:

Parameter	Description
value	<p>(exp) Whether the contents of the header section in an export template iterate in the generated XML.</p> <p>Values are:</p> <ul style="list-style-type: none"> • Yes -- The header section is repeated for each group (default). • No -- The header section is not repeated.

Usage

This property must be set for group DataWindow objects if you want elements and other items added to the header section of an XML export template to be repeated before each group in the exported XML. For DataWindow objects with multiple groups, each XML fragment in the header section between a Group Header element and the next Group Header element or Detail Start element is iterated.

In the painter

In the Data Export tab in the Properties view for the DataWindow object, select XML from the Format to Configure list and select Iterate header for Groups.

Examples

```
dw1.Object.DataWindow.Export.XML.HeadGroups = "Yes"
dw1.Modify("DataWindow.Export.XML.HeadGroups = 'No' ")
```

3.3.80 Export.XML.IncludeWhitespace

Description

Setting that determines whether the XML document is formatted by inserting whitespace characters (carriage returns, linefeeds, tabs, and spacebar spaces).

Applies to

DataWindow objects

Syntax

PowerBuilder dot notation:

```
dw_control.Object.DataWindow.Export.XML.IncludeWhitespace
```

Describe and Modify argument:

```
"DataWindow.Export.XML.IncludeWhitespace { = 'value ' }"
```

Table 3.98:

Parameter	Description
value	(exp) Whether the generated XML is formatted with whitespace characters. Values are: <ul style="list-style-type: none"> • Yes -- Whitespace characters are inserted. • No -- Whitespace characters are not inserted (default).

Usage

This property should be set before you export a DataWindow object if you want to view or verify the exported XML using a text editor.

In the painter

In the Data Export tab in the Properties view for the DataWindow object, select XML from the Format to Configure list and select Include Whitespace.

Examples

```
dw1.Object.DataWindow.Export.XML.IncludeWhitespace = "No"  
dw1.Modify("DataWindow.Export.XML.IncludeWhitespace = 'Yes' ")
```

3.3.81 Export.XML.MetaDataType

Description

Setting that controls the type of metadata generated with the XML exported from a DataWindow object using the SaveAs method or a .Data.XML expression.

Applies to

DataWindow objects

Syntax

PowerBuilder dot notation:

```
dw_control.Object.DataWindow.Export.XML.MetaDataType
```

Describe and Modify argument:

```
"DataWindow.Export.XML.MetaDataType { = 'value ' }"
```

Table 3.99:

Parameter	Description
value	(exp) A string specifying a value of the Export.XML.MetaDataType enumerated datatype

Usage

This property must be set to specify the type of metadata generated before you call the SaveAs method with XML! as the SaveAsType to save data as an XML document, or use the .Data.XML expression to save data as an XML string. The metadata is saved into the exported XML itself or into an associated file, depending on the value of the Export.XML.SaveMetaData property.

The Export.XML.MetaDataType property is an enumerated datatype that can hold the following values:

Table 3.100:

Enumerated value	Numeric value	Meaning
XMLNone!	0	Metadata (XML Schema or DTD) is not generated when XML is exported
XMLSchema!	1	XML Schema is generated when XML is exported
XMLDTD!	2	DTD is generated when XML is exported

If the data item for a column is null or an empty string, an empty element is created when you export XML. If you select XMLSchema!, child elements with null data items are created with the content "xsi:nil='true'".

In the painter

In the Data Export tab in the Properties view for the DataWindow object, select XML from the Format to Configure list and select a value from the Meta Data Type list.

Examples

This statement specifies that no metadata will be generated when the DataWindow is exported to XML:

```
dw1.Object.DataWindow.Export.XML.MetaDataType = XMLNone!
```

These statements export the contents of dw1 to the file c:\myxml.xml using the XML export template called t_schema, and generate an external XML schema file at c:\myxml.xsd:

```
dw1.Modify("DataWindow.Export.XML.UseTemplate = 't_schema' ")
dw1.Modify("DataWindow.Export.XML.MetaDataType = 1 ")
dw1.Modify("DataWindow.Export.XML.SaveMetaData = 1 ")
dw1.SaveAs("c:\myxml.xml", XML!, false)
```

See also

[Export.XML.SaveMetaData](#)

3.3.82 Export.XML.SaveMetaData

Description

Setting that controls the storage format for the metadata generated with the XML exported from a DataWindow object using the SaveAs method or a .Data.XML expression.

Applies to

DataWindow objects

Syntax

PowerBuilder dot notation:

```
dw_control.Object.DataWindow.Export.XML.SaveMetaData
```

Describe and Modify argument:

```
"DataWindow.Export.XML.SaveMetaData { = 'value ' }"
```

Table 3.101:

Parameter	Description
value	(exp) A string specifying a value of the Export.XML.SaveMetaData enumerated datatype

Usage

This property must be set to specify how to store the generated metadata before you call the SaveAs method with XML! as the SaveAsType to save data as an XML document, or use the .Data.XML expression to save data as an XML string. The metadata can be saved into the exported XML document or string or into an associated file.

Note

If Export.XML.MetadataType is set to XMLNone!, the value of the Export.XML.SaveMetaData property is not used.

The Export.XML.SaveMetaData property is an enumerated datatype that can hold the following values:

Table 3.102:

Enumerated value	Numeric value	Meaning
MetaDataInternal!		The metadata is saved into the generated XML document or string. To save metadata using the .Data.XML expression syntax, you must use this value.
MetaDataExternal!		With the SaveAs method, metadata is saved as an external file with the same name as the XML document but with the extension .xsd (for XMLSchema! type) or .dtd (for XMLDTD! type). A reference to the name of the metadata file is included in the output XML document. With .Data.XML, no metadata is generated in the XML string.

In the painter

In the Data Export tab in the Properties view for the DataWindow object, select XML from the Format to Configure list and select a value from the Save Meta Data list.

Examples

```
dw1.Object.DataWindow.Export.XML.SaveMetaData = 0
dw1.Modify("DataWindow.Export.XML.SaveMetaData = &
  MetaDataExternal!")
```

See also

[Export.XML.MetaDataType](#)

3.3.83 Export.XML.TemplateCount

Description

The number of XML export templates associated with a DataWindow object.

Applies to

DataWindow objects

Syntax

PowerBuilder dot notation:

```
dw_control.Object.DataWindow.Export.XML.TemplateCount
```

Describe argument:

```
"DataWindow.Export.XML.TemplateCount"
```

Usage

This property is used to get a count of the XML export templates associated with a DataWindow object. It returns a long specifying the number of XML export templates previously saved in the DataWindow painter for the specified DataWindow object. The count is used with the DataWindow.Export.XML.Template[].Name property to enable an application to select an export template at runtime.

Examples

This code in the open event of a window uses the TemplateCount property to get the number of templates associated with dw1. It then uses the number returned as the upper limit in a FOR loop that populates a drop-down list box with the template names, using the DataWindow.Export.XML.Template[].Name property.

```
string ls_template_count, ls_template_name
long i

ls_template_count = dw1.Describe("DataWindow.Export.XML.TemplateCount")

for i=1 to Long(ls_template_count)
  ls_template_name = dw1.Object.DataWindow.Export.XML.Template[i].Name
  ddlb_1.AddItem(ls_template_name)
next
```

Before generating the XML, set the export template using the text in the drop-down list box:

```
dw1.Object.DataWindow.Export.XML.UseTemplate = ddlb_1.text
```

See also[Export.XML.Template\[\].Name](#)[Export.XML.UseTemplate](#)**3.3.84 Export.XML.Template[].Name****Description**

The name of an XML export template associated with a DataWindow object.

Applies to

DataWindow objects

Syntax

PowerBuilder dot notation:

```
dw_control.Object.DataWindow.Export.XML.Template[num ].Name
```

Describe argument:

```
"DataWindow.Export.XML.Template[num ]Name"
```

Table 3.103:

Parameter	Description
num	(exp) A long specifying the index of the export template

Usage

This property is used to get the names of the XML export templates associated with a DataWindow object. It returns a string specifying the name of an export template previously saved in the DataWindow painter for the specified DataWindow object. The property is used with the DataWindow.Export.XML.TemplateCount property to enable an application to select an export template at runtime.

Examples

See [Export.XML.TemplateCount](#).

See also[Export.XML.TemplateCount](#)[Export.XML.UseTemplate](#)**3.3.85 Export.XML.UseTemplate****Description**

Setting that optionally controls the logical structure of the XML exported from a DataWindow object using the SaveAs method or the .Data.XML property.

Applies to

DataWindow objects

Syntax

PowerBuilder dot notation:

```
dw_control.Object.DataWindow.Export.XML.UseTemplate
```

Describe and Modify argument:

```
"DataWindow.Export.XML.UseTemplate { = 'value ' }"
```

Table 3.104:

Parameter	Description
value	(exp) A string specifying the name of an export template previously saved in the DataWindow painter for the specified DataWindow object

Usage

This property should be set to specify the logical structure of the XML generated before you call the SaveAs method with XML! as the SaveAsType to save data as an XML document, or use the .Data.XML expression to save data as an XML string.

In the painter

In the Data Export tab in the Properties view for the DataWindow object, select XML from the Format to Configure list and select a template from the Use Template list.

Examples

This example stores the name of the export template used in dw1 in the string ls_template. If no template is selected in dw1, an empty string is returned.

```
string ls_template_name
ls_template_name = dw1.Describe("DataWindow.Export.XML.UseTemplate")
```

This example sets the name of the current XML export template used in dw1 to t_report. If t_report does not exist, the current template is not changed.

```
dw1.Modify("DataWindow.Export.XML.UseTemplate = 't_report' ")
```

See also

[Export.XML.MetaDataType](#)

[Export.XML.SaveMetaData](#)

3.3.86 Expression

Description

The expression for a computed field control in the DataWindow. The expression is made up of calculations and DataWindow expression functions. The DataWindow evaluates the expression to get the value it will display in the computed field.

Applies to

Computed field controls

Syntax

PowerBuilder dot notation:

```
dw_control.Object.computename.Expression
```

Describe and Modify argument:

```
"computename.Expression { = 'string' }"
```

Table 3.105:

Parameter	Description
computename	The name of the computed field control in the DataWindow for which you want to get or set the expression
string	A string whose value is the expression for the computed field

Usage**In the painter**

Select the control and set the value in the Properties view, General tab, Expression option. The More button displays the Modify Expression dialog, which provides help in specifying the expression. The Verify button tests the expression.

Examples

```
setting = dw1.Object.comp_1.Expression
dw1.Object.comp_1.Expression = "avg(salary for all)"
setting = dw1.Describe("comp_1.Expression")
dw1.Modify("comp_1.Expression='avg(salary for all)')"
```

3.3.87 Filename**Description**

The file name containing the image for a Picture or Button control in the DataWindow. If no image is specified for a Button control, only text is used for the button label.

Applies to

Picture and Button controls

Syntax

PowerBuilder dot notation:

```
dw_control.Object.controlname.Filename
```

Describe and Modify argument:

```
"controlname.Filename { = ' filestring' }"
```

Table 3.106:

Parameter	Description
controlname	The name of the Picture or Button control in the DataWindow for which you want to get or set the image file name.
filestring	(exp) A string containing the name of the file that contains the image. Filestring can be a quoted DataWindow expression. Button pictures can be BMP, GIF, or JPEG files. You can use a URL instead of a full path name, and if you set the HTMLGen.ResourceBase property to the URL address, you need to specify only a relative file name for this string. If you include the name of the file containing the image in the executable for the application, PowerBuilder will always use that image; you cannot use Modify to change the image.

Usage

In the painter

For a Picture control, select the control and set the value in the Properties view, General tab, File Name option. For a Button control, select the control and set the value in the Properties view, General tab, Picture File option. The Action Default Picture check box must be cleared to set the value for the picture file.

Examples

Example for a Picture control:

```
setting = dw1.Object.bitmap_1.Filename
dw1.Object.bitmap_1.Filename = "exclaim.bmp"
setting = dw1.Describe("bitmap_1.Filename")
dw1.Modify("bitmap_1.Filename='exclaim.bmp'")
```

Example for a Button control:

```
dw1.Object.b_name.FileName = "logo.gif"
ls_data = dw1.Describe("b_name.FileName")
dw1.Modify("b_name.FileName = 'logo.jpg'")
```

See also

[DefaultPicture](#)

3.3.88 FirstRowOnPage

Description

The first row currently visible in the DataWindow.

Applies to

DataWindows

Syntax

PowerBuilder dot notation:

```
dw_control.Object.DataWindow.FirstRowOnPage
```

Describe argument:

```
"DataWindow.FirstRowOnPage"
```

Examples

```
string setting
setting = dw1.Object.DataWindow.FirstRowOnPage
setting = dw1.Describe("DataWindow.FirstRowOnPage")
```

3.3.89 FocusRectangle

Description

Whether a rectangle displays around the selected control.

Applies to

Column, Computed Field, Graph, OLE Object, OLE Database Blob, Picture, and Text controls

Syntax

PowerBuilder dot notation:

```
dw_control.Object.controlname.FocusRectangle
```

Describe and Modify argument:

```
"controlname.FocusRectangle = value"
```

Table 3.107:

Parameter	Description
controlname	The name of the control for which you want to show or hide the focus rectangle
value	Whether the focus rectangle appears when the control has focus. Values are: <ul style="list-style-type: none"> • Yes -- The focus rectangle displays • No -- The focus rectangle does not display

Usage

In the painter

Select the control and set the value in the Properties view, Edit tab, Show Focus Rectangle option.

Examples

```
String ls_DataObject
string ls_focus, ls_focus1

ls_DataObject= dw_1.DataObject
If ls_DataObject = "d_dept" Then
    dw_1.Modify("t_1.focusrectangle = " + "yes")
    ls_focus = dw_1.describe("t_1.focusrectangle")
    ls_focus1 = dw_1.object.t_1.focusrectangle
Else
    dw_1.Modify("gr_1.focusrectangle = " + "yes")
    ls_focus = dw_1.describe("gr_1.focusrectangle")
    ls_focus1 = dw_1.object.gr_1.focusrectangle
End If

messagebox(ls_focus, ls_focus1)
```

3.3.90 Font.Bias

Description

The way fonts are manipulated in the DataWindow at runtime.

Applies to

DataWindows

Syntax

PowerBuilder dot notation:

```
dw_control.Object.DataWindow.Font.Bias
```

Describe and Modify argument:

```
"DataWindow.Font.Bias { = biasvalue }"
```

Table 3.108:

Parameter	Description
biasvalue	An integer indicating how the fonts will be manipulated at execution. Biasvalue cannot be a DataWindow expression. Values are: 0 -- As display fonts 1 -- As printer fonts 2 -- Neutral; no manipulation will take place

Examples

```
string setting
setting = dw1.Object.DataWindow.Font.Bias
dw1.Object.DataWindow.Font.Bias = 1
setting = dw1.Describe("DataWindow.Font.Bias")
dw1.Modify("DataWindow.Font.Bias=1")
```

3.3.91 Font.property

Description

Settings that control the appearance of fonts within a DataWindow, except for graphs, which have their own settings (see DispAttr).

Applies to

Button, Column, Computed Field, GroupBox, and Text controls

Syntax

PowerBuilder dot notation:

```
dw_control.Object.controlname.Font.property
```

Describe and Modify argument:

```
"controlname.Font.property { = ' value ' }"
```

SyntaxFromSql:

```
Column(Font.property = value)
Text(Font.property = value)
```

Table 3.109:

Parameter	Description
controlname	The name of a column, computed field, or text control for which you want to get or set font properties. For a column, you can specify the column name or a pound sign (#) followed by the column number. When you generate DataWindow syntax with SyntaxFromSql, the Font settings apply to all columns or all text controls.

Parameter	Description
property	A property of the text. The properties and their values are listed in the table below.
value	The value to be assigned to the property. Value can be a quoted DataWindow expression.

Table 3.110:

Property for Font	Value
CharSet	(exp) An integer specifying the character set to be used. Values are: 0 -- ANSI 1 -- The default character set for the specified font 2 -- Symbol 128 -- Shift JIS 255 -- OEM Painter: Font tab, CharSet option.
Escapement	(exp) An integer specifying the rotation for the baseline of the text in tenths of a degree. For example, a value of 450 rotates the text 45 degrees. 0 is horizontal. Painter: Font tab, Escapement option.
Face	(exp) A string specifying the name of the font face, such as Arial or Courier. Painter: Font tab, FaceName option or StyleBar.
Family	(exp) An integer specifying the font family (Windows uses both face and family to determine which font to use). Values are: 0 -- AnyFont 1 -- Roman 2 -- Swiss 3 -- Modern 4 -- Script 5 -- Decorative Painter: Font tab, Family option.
Height	(exp) An integer specifying the height of the text in the unit measure for the DataWindow. To specify size in points, specify a negative number. Painter: Font tab, Size option (specified in points) or StyleBar or Expressions tab.

Property for Font	Value
Italic	(exp) Whether the text should be italic. The default is no. Painter: Font tab, Italic check box or StyleBar.
Pitch	(exp) The pitch of the font. Values are: 0 -- The default pitch for your system 1 -- Fixed 2 -- Variable Painter: Font tab, Pitch option.
Strikethrough	(exp) Whether the text should be crossed out. The default is no. Painter: Font tab, Strikeout check box.
Underline	(exp) Whether the text should be underlined. The default is no. Painter: Font tab, Underline check box or StyleBar.
Weight	(exp) An integer specifying the weight of the text; for example, 400 for normal or 700 for bold. Painter: Set indirectly using the Font tab, Bold option or the StyleBar, Bold button.
Width	(exp) An integer specifying the average character width of the font in the unit of measure specified for the DataWindow. Width is usually unspecified, which results in a default width based on the other properties. Painter: Set indirectly using the font selection.

Usage

In the painter

Select the control and set the value using the:

- Properties view, Font tab
- For some font settings, StyleBar

Examples

```
dw1.Object.emp_name_t.Font.Face
dw1.Object.emp_name_t.Font.Face = "Arial"
dw1.Describe("emp_name_t.Font.Face")
dw1.Modify("emp_name_t.Font.Face='Arial'")
```

See also

[Transparency \(columns and controls\)](#)

3.3.92 Footer.property

See [Bandname.property](#).

3.3.93 Format

Description

The display format for a column.

You can use the `GetFormat` and `SetFormat` methods instead of `Describe` and `Modify` to get and change a column's display format. The advantage to using `Modify` is the ability to specify an expression.

Applies to

Column and Computed Field controls

Syntax

PowerBuilder dot notation:

```
dw_control.Object.controlname.Format
```

Describe and Modify argument:

```
"controlname.Format { = ' value ' }"
```

Table 3.111:

Parameter	Description
controlname	The name of the column or computed field for which you want to get or set the display format.
value	(exp) A string specifying the display format. See Section 6.5.4, “Defining display formats” in <i>Users Guide</i> for information on constructing display formats. Value can be a quoted DataWindow expression.

Usage

In the painter

Select the control and set the value in the Properties view, Format tab.

If you want to add text to a numeric display format and use a color attribute, you must include the escape character (`\`) before each literal in the mask. For example:

```
[red]\D\e\p\t\: ###
```

Examples

```
setting = dw1.Object.phone.Format
dw1.Object."phone.Format = "[red](@@@)@@-@@@@; 'None' "
setting = dw1.Describe("phone.Format")
dw1.Modify( &
"phone.Format=' [red] (@@@)@@-@@@@;~~~'None~~~' ' ")
```

See also

`GetFormat` function in [Section 9.56, “GetFormat”](#)

`SetFormat` function in [Section 9.167, “SetFormat”](#)

3.3.94 Gradient.property

Description

Settings that control the gradient display in a DataWindow object. Gradient display properties are not supported in RichText, Graph, or OLE DataWindow presentation styles.

Applies to

DataWindows

Syntax

PowerBuilder dot notation:

```
dw_control.Object.datawindow.gradient.property
```

Describe and Modify argument:

```
"DataWindow.gradient.property { = value }"
```

Table 3.112:

Parameter	Description
property	A property for the gradient. Properties and their settings are listed in the table that follows.
value	The value to be assigned to the property. For gradient properties, value can be a quoted DataWindow expression.

Table 3.113:

Property for Gradient	Value
Angle	An integer indicating the angle in degrees (values are 0 to 360) used to offset the color and transparency gradient. This property is used only when datawindow.brushmode takes values of 3 or 4. Painter: Background tab, Gradient group.
Color	The gradient color of the DataWindow. This property is only in effect when datawindow.brushmode takes values 1 through 5. Painter: Background tab, Gradient group
Focus	An integer in the range 0 to 100, specifying the distance (as a percentage) from the center where the background color is at its maximum. (For example, if the radial gradient is used and the value is set to 0, the color will be at the center of the background; if the value is set to 100, the color will be at the edges of the background.) Painter: Background tab, Gradient group
Repetition.Mode	Specifies the mode for determining the number of gradient transitions. Permitted values and their meanings are: <ul style="list-style-type: none"> 0 Gradient.repetition.count determines the number of gradient transitions

Property for Gradient	Value
	<ul style="list-style-type: none"> 1 <p>Gradient.repetition.length determines the number of gradient transitions</p> <p>Painter: Background tab, Gradient group.</p>
Repetition.Count	<p>An integer specifying the number of gradient transitions for background color and transparency. A value of 0 indicates 1 transition. A value of 3 indicates 4 transitions. This property is used only when the datawindow.brushmode property takes values from 1 to 4 and when the datawindow.gradient.repetition.mode value is 0 (by count). The maximum is 10,000.</p> <p>Painter: Background tab, Gradient group.</p>
Repetition.Length	<p>A long specifying the number of gradient transitions. This property is used only when the datawindow.brushmode property takes values from 1 to 4 and the datawindow.gradient.repetition.mode property takes the value of 1 (by length). The units for the length that you assign for gradient transitions are set by the datawindow.units property.</p> <p>Painter: Background tab, Gradient group.</p>
Scale	<p>An integer in the range 0 to 100 specifying the rate of transition to the gradient color (as a percentage).</p> <p>Painter: Background tab, Gradient group</p>
Spread	<p>An integer in the range 0 to 100 indicating the contribution of the second color to the blend (as a percentage).</p> <p>Painter: Background tab, Gradient group</p>
Transparency	<p>An integer in the range 0 to 100, where 0 means that the secondary (gradient) background is opaque and 100 that it is completely transparent. The gradient defines transitions between the primary and secondary transparency settings.</p> <p>Painter: Background tab, Gradient group</p>

Usage

In the painter

Select the DataWindow object and set the value on the Background tab of the Properties view.

If you save to an EMF or WMF, the properties on the Background tab are not saved with the DataWindow.

Examples

```
string ls_data
ls_data = dw_1.Object.datawindow.brushmode
dw_1.Object.datawindow.Brushmode = 5
ls_data = dw_1.Describe("datawindow.brushmode")
dw_1.Modify("datawindow.Brushmode=6")
```

```
dw_1.Modify( "datawindow.Gradient.Transparency=75" )
```

See also[Brushmode](#)[Picture.property](#)**3.3.95 GraphType****Description**

The type of graph, such as bar, pie, column, and so on.

Applies to

Graph controls

Syntax

PowerBuilder dot notation:

```
dw_control.Object.graphname.GraphType
```

Describe and Modify argument:

```
"graphname.GraphType { = ' typeinteger ' }"
```

Table 3.114:

Parameter	Description																		
graphname	The graph control for which you want to get or change the type.																		
typeinteger	(exp) An integer identifying the type of graph in the DataWindow object. Typeinteger can be a quoted DataWindow expression. Values are:																		
	<table border="0"> <tr> <td>1 -- Area</td> <td>10 -- ColStacked</td> </tr> <tr> <td>2 -- Bar</td> <td>11 -- ColStacked3DObj</td> </tr> <tr> <td>3 -- Bar3D</td> <td>12 -- Line</td> </tr> <tr> <td>4 -- Bar3DObj</td> <td>13 -- Pie</td> </tr> <tr> <td>5 -- BarStacked</td> <td>14 -- Scatter</td> </tr> <tr> <td>6 -- BarStacked3DObj</td> <td>15 -- Area3D</td> </tr> <tr> <td>7 -- Col</td> <td>16 -- Line3D</td> </tr> <tr> <td>8 -- Col3D</td> <td>17 -- Pie3D</td> </tr> <tr> <td>9 -- Col3DObj</td> <td></td> </tr> </table>	1 -- Area	10 -- ColStacked	2 -- Bar	11 -- ColStacked3DObj	3 -- Bar3D	12 -- Line	4 -- Bar3DObj	13 -- Pie	5 -- BarStacked	14 -- Scatter	6 -- BarStacked3DObj	15 -- Area3D	7 -- Col	16 -- Line3D	8 -- Col3D	17 -- Pie3D	9 -- Col3DObj	
1 -- Area	10 -- ColStacked																		
2 -- Bar	11 -- ColStacked3DObj																		
3 -- Bar3D	12 -- Line																		
4 -- Bar3DObj	13 -- Pie																		
5 -- BarStacked	14 -- Scatter																		
6 -- BarStacked3DObj	15 -- Area3D																		
7 -- Col	16 -- Line3D																		
8 -- Col3D	17 -- Pie3D																		
9 -- Col3DObj																			

Usage**In the painter**

Select the control and set the value in the Properties view, General tab.

Examples


```
string setting
setting = dw1.Object.graph_1.GraphType
dw1.Object.graph_1.GraphType = 17
setting = dw1.Describe("graph_1.GraphType")
dw1.Modify("graph_1.GraphType=17")
```

3.3.96 Grid.ColumnMove

Description

Whether the user can rearrange columns by dragging.

Applies to

DataWindows

Syntax

PowerBuilder dot notation:

```
dw_control.Object.DataWindow.Grid.ColumnMove
```

Describe and Modify argument:

```
"DataWindow.Grid.ColumnMove { = value } "
```

Table 3.115:

Parameter	Description
value	Whether the user can rearrange columns. Values are: Yes -- The user can drag columns. No -- The user cannot drag columns.

Usage

In the painter

Select the DataWindow object by deselecting all controls; then set the value in the Properties view, General tab, Grid group, Column Moving check box (available when the presentation style is Grid, Crosstab, or TreeView with the Grid Style option selected).

Examples

```
string setting
setting = dw1.Object.DataWindow.Grid.ColumnMove
dw1.Object.DataWindow.Grid.ColumnMove = No
setting = dw1.Describe("DataWindow.Grid.ColumnMove")
dw1.Modify("DataWindow.Grid.ColumnMove=No")
```

3.3.97 Grid.Lines

Description

The way grid lines display and print in a DataWindow whose presentation style is Grid, Crosstab, or TreeView.

Applies to

DataWindows

Syntax

PowerBuilder dot notation:

```
dw_control.Object.DataWindow.Grid.Lines
```

Describe and Modify argument:

```
"DataWindow.Grid.Lines { = value }"
```

Table 3.116:

Parameter	Description
value	<p>An integer specifying whether grid lines are displayed on the screen and printed.</p> <p>Values are:</p> <p>0 -- Yes, grid lines are displayed and printed.</p> <p>1 -- No, grid lines are not displayed and printed.</p> <p>2 -- Grid lines are displayed, but not printed.</p> <p>3 -- Grid lines are printed, but not displayed.</p>

Usage**In the painter**

Select the DataWindow object by deselecting all controls; then set the value in the Properties view, General tab, Grid group, Display option (available when the presentation style is Grid, Crosstab, or TreeView with the Grid Style option selected).

Examples

```
string setting
setting = dw1.Object.DataWindow.Grid.Lines
dw1.Object.DataWindow.Grid.Lines = 2
setting = dw1.Describe("DataWindow.Grid.Lines")
dw1.Modify("DataWindow.Grid.Lines=2")
```

3.3.98 GroupBy**Description**

A comma-separated list of the columns or expressions that control the grouping of the data transferred from the DataWindow to the OLE object. When there is more than one grouping column, the first one is the primary group and the columns that follow are nested groups.

Applies to

OLE Object controls

Syntax

PowerBuilder dot notation:

```
dw_control.Object.olecontrolname.GroupBy
```

Describe and Modify argument:

```
"olecontrolname.GroupBy { = ' columnlist ' }"
```

Table 3.117:

Parameter	Description
olecontrolname	The name of the OLE Object control for which you want to get or set the grouping columns.
columnlist	(exp) A list of the columns or expressions that control the grouping. If there is more than one, separate them with commas. Columnlist can be a quoted DataWindow expression.

Usage

Target and Range also affect the data that is transferred to the OLE object.

In the painter

Select the control and set the value in the Properties view, Data tab, Group By option.

Examples

```
ls_data = dw1.Object.ole_report.GroupBy
dw1.Object.ole_report.GroupBy = "emp_state, emp_office"
dw1.Object.ole_report.GroupBy = "year"
ls_data = dw1.Describe("ole_report.GroupBy")
dw1.Modify(" &
ole_report.GroupBy='emp_state, emp_office'")
dw1.Modify("ole_report.GroupBy='year'")
```

3.3.99 Header_Bottom_Margin**Description**

The size of the bottom margin of the DataWindow's header area. Header_Bottom_Margin is meaningful only when type is Grid or Tabular.

Applies to

Style keywords

Syntax

SyntaxFromSql:

```
Style ( Header_Bottom_Margin = value )
```

Table 3.118:

Parameter	Description
value	An integer specifying the size of the bottom margin of the header area in the units specified for the DataWindow. The bottom margin is the distance between the bottom of the header area and the last line of the header.

Examples

```
SQLCA.SyntaxFromSQL(sqlstring, &
'Style(...Header_Bottom_Margin = 25 ...)', &
errstring)
```

3.3.100 Header_Top_Margin**Description**

The size of the top margin of the DataWindow's header area. `Header_Top_Margin` is meaningful only when type is Grid or Tabular.

Applies to

Style keywords

Syntax

SyntaxFromSql:

```
Style ( Header_Top_Margin = value )
```

Table 3.119:

Parameter	Description
value	An integer specifying the size of the top margin of the header area in the units specified for the DataWindow. The top margin is the distance between the top of the header area and the first line of the header.

Examples

```
SQLCA.SyntaxFromSQL(sqlstring, &
'Style(...Header_Top_Margin = 500 ...)', errstring)
```

3.3.101 Header.property

See [Bandname.property](#).

3.3.102 Header.#.property

See [Bandname.property](#).

3.3.103 Height

Description

The height of a control in the DataWindow.

Applies to

Button, Column, Computed Field, Graph, GroupBox, OLE, Oval, Picture, Rectangle, Report, RoundRectangle, TableBlob, and Text controls

Syntax

PowerBuilder dot notation:

```
dw_control.Object.controlname.Height
```

Describe and Modify argument:

```
"controlname.Height { = ' value ' }"
```

Table 3.120:

Parameter	Description
controlname	The control within the DataWindow whose height you want to get or set.
value	(exp) An integer specifying the height of the control in the unit of measure specified for the DataWindow. Value can be a quoted DataWindow expression.

Usage

In the painter

Select the control and set the value in the Properties view, Position tab.

Examples

```
string setting
setting = dw1.Object.empname.Height
dw1.Object.empname.Height = 50
setting = dw1.Describe("empname.Height")
dw1.Modify("empname.Height=50")
```

3.3.104 Height.AutoSize

Description

Whether the control's width should be held constant and its height adjusted so that all the data is visible. This property is for use with read-only controls and printed reports. It should not be used with data entry fields or controls.

Applies to

Column, Computed Field, Report, and Text controls

Syntax

PowerBuilder dot notation:

```
dw_control.Object.controlname.Height.AutoSize
```

Describe and Modify argument:

```
"controlname.Height.AutoSize { = value }"
```

Table 3.121:

Parameter	Description
controlname	The control for which you want to get or set the AutoSize property.
value	Whether the width or height of the control will be adjusted to display all the data. The height is limited to what can fit on the page. Values are: No -- Use the height defined in the painter. Yes -- Calculate the height so that all the data is visible.

Usage

In the painter

Select the control and set the value in the Properties view, Position tab, Autosize Height check box.

Minimum height

The height of the column, computed field, or text will never be less than the minimum height (the height selected in the painter).

When the band has `AutoSize Height` set to true, you should avoid using the `RowHeight` DataWindow expression function to set the height of any element in the row. Doing so can result in a logical inconsistency between the height of the row and the height of the element. For more information, see the [RowHeight](#) function description.

Examples

```
string setting
setting = dw1.Object.empname.Height.AutoSize
dw1.Object.empname.Height.AutoSize = "Yes"
setting = dw1.Describe("empname.Height.AutoSize")
dw1.Modify("empname.Height.AutoSize=Yes")
```

See also

[Bandname.property](#)

[Height.HasMinHeight](#)

3.3.105 Height.HasMinHeight

Description

Whether the column in a DataWindow object should maintain its minimum height, when its `AutoSize` property is enabled. The property is false by default.

`HasMinHeight` only applies to columns that have `AutoSize` enabled. When both `AutoSize height` and `HasMinHeight` are true, the height value will be the max value between the auto height value (the calculated value when the `AutoSize height` is set to true) and the value specified in the `Height` property.

Applies to

Column, Computed Field, and Text controls

Syntax

PowerBuilder dot notation:

```
dw_control.Object.controlname.Height.HasMinHeight
```

Describe and Modify argument:

```
"controlname.Height.HasMinHeight { = value }"
```

Table 3.122:

Parameter	Description
controlname	The control for which you want to get or set the <code>HasMinHeight</code> property.
value	Whether the column should maintain its minimum height, when its <code>AutoSize</code> property is enabled. Values are: No -- (default) Do not use the minimum height. If the <code>AutoSize</code> property is enabled, the column that contains no data will be completely hidden. Yes -- Use the minimum height (the height selected in the painter) for the column.

Usage

In the painter

Can be set only in code, not in the painter.

Examples

```
string setting
setting = dw1.Object.empname.Height.HasMinHeight
dw1.Object.empname.Height.AutoSize = "Yes"
dw1.Object.empname.Height.HasMinHeight = "Yes"
setting = dw1.Describe("empname.Height.HasMinHeight")
dw1.Modify("empname.Height.AutoSize=Yes")
dw1.Modify("empname.Height.HasMinHeight=Yes")
```

See also

[Height.AutoSize](#)

3.3.106 Help.property

Description

Settings for customizing the Help topics associated with DataWindow dialog boxes.

For more information about Help, see Section 2.4.800, “ShowHelp” in *PowerScript Reference*.

Applies to

DataWindows

Syntax

PowerBuilder dot notation:

```
dw_control.Object.DataWindow.Help.property
```

Describe and Modify argument:

```
"DataWindow.Help.property { = value }"
```

Table 3.123:

Parameter	Description
property	A property for specifying DataWindow Help. Help properties and their settings are listed in the table below. The File property must have a valid file name before the rest of the Help property settings can become valid.
value	The value to be assigned to the property. For Help properties, value cannot be a DataWindow expression.

Table 3.124:

Property for Help	Value
Command	An integer specifying the type of Help command that is specified in the following TypeID properties.

Property for Help	Value
	Values are: 0 -- Index 1 -- TopicID 2 -- Search keyword
File	A string containing the fully qualified name of the compiled Help file (for example, C:\proj\MYHELP.HLP). When this property has a value, Help buttons display on the DataWindow dialog boxes at runtime.
TypeID	A string specifying the default Help command to be used when a Help topic is not specified for the dialog using one of the following eight dialog-specific properties listed in this table.
TypeID.ImportFile	A string specifying the Help topic for the Import File dialog box, which might display when the ImportFile method is called in code.
TypeID.RetrieveArguments	A string specifying the Help topic for the Retrieval Arguments dialog box, which displays when retrieval arguments expected by the DataWindow's SELECT statement are not specified for the Retrieve method in code.
TypeID.RetrieveCriteria	A string specifying the Help topic for the Prompt for Criteria dialog box, which displays when the Criteria properties have been turned on for at least one column and the Retrieve method is called in code.
TypeID.SaveAs	A string specifying the Help topic for the Save As dialog box, which might display when the SaveAs method is called in code.
TypeID.SetCrosstab	A string specifying the Help topic for the Crosstab Definition dialog box, which might display when the CrosstabDialog method is called in code.
TypeID.SetFilter	A string specifying the Help topic for the Set Filter dialog box, which might display when the SetFilter and Filter methods are called in code.
TypeID.SetSort	A string specifying the Help topic for the Set Sort dialog box, which might display when the SetSort and Sort methods are called in code.
TypeID.SetSortExpression	A string specifying the Help topic for the Modify Expression dialog, which displays when the user double-clicks on a column in the Set Sort dialog.

Usage

In the painter

Can be set only in code, not in the painter.

Examples

```
string setting
setting = dw1.Object.DataWindow.Help.Command
dw1.Object.DataWindow.Help.File = "myhelp.hlp"
dw1.Object.DataWindow.Help.Command = 1
setting = dw1.Describe("DataWindow.Help.Command")
dw1.Modify("DataWindow.Help.File='myhelp.hlp'")
dw1.Modify("DataWindow.Help.Command=1")
dw1.Modify("DataWindow.Help.TypeID.SetFilter = 'filter_topic'")
dw1.Modify("DataWindow.Help.TypeID.Retrieve.Criteria = 'criteria_topic'")
```


3.3.107 HideGrayLine

Description

Shows or hides a gray line to indicate that a fixed page has been crossed when scrolling in a DataWindow with group headers.

Applies to

DataWindow control

Syntax

PowerBuilder dot notation:

```
dw_control.Object.DataWindow.HideGrayLine
```

Describe and Modify argument:

```
"DataWindow.HideGrayLine { = 'value ' }"
```

Table 3.125:

Parameter	Description
value	(exp) Whether a gray line displays in the Preview view and at runtime. Values are: Yes -- The gray line is hidden. No -- The gray line displays (default). Value can be a quoted DataWindow expression.

Usage

This property can be set in the open event for the window in which the DataWindow displays. Note that you cannot suppress the display of repeating group headers.

In the painter

Select the DataWindow object by deselecting all controls; then set the value in the Properties view, General tab. This option is enabled only for DataWindows with group headers.

Examples

```
dwl.Object.DataWindow.HideGrayLine = yes
```

3.3.108 HideSnaked

Description

Whether the control appears only once per page when you print the DataWindow using the newspaper columns format.

Applies to

Button, Column, Computed Field, Graph, GroupBox, Line, OLE, Oval, Picture, Rectangle, Report, RoundedRectangle, TableBlob, and Text controls

Syntax

PowerBuilder dot notation:

```
dw_control.Object.controlname.HideSnaked
```

Describe and Modify argument:

```
"controlname.HideSnaked { = ' value ' }"
```

Table 3.126:

Parameter	Description
controlname	The name of the control for which you want to get or set the HideSnaked setting.
value	(exp) Whether the control appears once or multiple times in the printed output when the output has multiple columns (like a newspaper). Values are: 1 -- The control will appear only once on a page. 0 -- The control will appear in each column on a page. Value can be a quoted DataWindow expression.

Usage

In the painter

Select the control and set the value in the Properties view, General tab, HideSnaked check box.

Examples

```
string setting
setting = dw1.Object.graph_1.HideSnaked
dw1.Object.text_title.HideSnaked = "1"
setting = dw1.Describe("graph_1.HideSnaked")
dw1.Modify("text_title.HideSnaked=1")
```

3.3.109 Horizontal_Spread

Description

The space between columns in the detail area of the DataWindow object. Horizontal_Spread is meaningful only when type is Grid or Tabular.

Applies to

Style keywords

Syntax

SyntaxFromSql:

```
Style ( Horizontal_Spread = value )
```

Table 3.127:

Parameter	Description
value	An integer specifying the space between columns in the detail area of the DataWindow object area in the units specified for the DataWindow

Examples

```
SQLCA.SyntaxFromSQL(sqlstring, &
'Style(...Horizontal_Spread = 25 ...)', errstring)
```

3.3.110 HorizontalScrollMaximum

Description

The maximum width of the scroll box of the DataWindow's horizontal scroll bar. This value is set by PowerBuilder based on the layout of the DataWindow object and the size of the DataWindow control. Use HorizontalScrollMaximum with HorizontalScrollPosition to synchronize horizontal scrolling in multiple DataWindow objects.

Applies to

DataWindows

Syntax

PowerBuilder dot notation:

```
dw_control.Object.DataWindow.HorizontalScrollMaximum
```

Describe argument:

```
"DataWindow.HorizontalScrollMaximum"
```

Examples

```
string setting
setting = dw1.Object.DataWindow.HorizontalScrollMaximum
setting = dw1.Describe("DataWindow.HorizontalScrollMaximum")
```

3.3.111 HorizontalScrollMaximum2

Description

The maximum width of the second scroll box when the horizontal scroll bar is split (HorizontalScrollSplit is greater than 0). This value is set by PowerBuilder based on the content of the DataWindow. Use HorizontalScrollMaximum2 with HorizontalScrollPosition2 to synchronize horizontal scrolling in multiple DataWindow objects.

Applies to

DataWindows

Syntax

PowerBuilder dot notation:

```
dw_control.Object.DataWindow.HorizontalScrollMaximum2
```

Describe argument:

```
"DataWindow.HorizontalScrollMaximum2"
```

Examples

```
string setting
setting = dw1.Object.DataWindow.HorizontalScrollMaximum2
setting = dw1.Describe("DataWindow.HorizontalScrollMaximum2")
```

3.3.112 HorizontalScrollPosition

Description

The position of the scroll box in the horizontal scroll bar. Use `HorizontalScrollMaximum` with `HorizontalScrollPosition` to synchronize horizontal scrolling in multiple `DataWindow` objects.

Applies to

DataWindows

Syntax

PowerBuilder dot notation:

```
dw_control.Object.DataWindow.HorizontalScrollPosition
```

Describe and Modify argument:

```
"DataWindow.HorizontalScrollPosition { = scrollvalue }"
```

Table 3.128:

Parameter	Description
scrollvalue	An integer specifying the position of the scroll box in the horizontal scroll bar of the <code>DataWindow</code>

Examples

```
string spos1
spos1 = dw1.Object.DataWindow.HorizontalScrollPosition
string smax1, smax2, spos1, modstring
integer pos2
smax1 = dw1.Describe( &
"DataWindow.HorizontalScrollMaximum" )
spos1 = dw1.Describe( &
"DataWindow.HorizontalScrollPosition" )
smax2 = dw_2.Describe( &
"DataWindow.HorizontalScrollMaximum" )
pos2 = Integer(spos1) * Integer(smax2) / Integer(smax1)
modstring = "DataWindow.HorizontalScrollPosition=" &
+ String(pos2)
dw1.Modify(modstring)
```

3.3.113 HorizontalScrollPosition2

Description

The position of the scroll box in the second portion of the horizontal scroll bar when the scroll bar is split (`HorizontalScrollSplit` is greater than 0). Use `HorizontalScrollMaximum2` with `HorizontalScrollPosition2` to synchronize horizontal scrolling in multiple `DataWindow` objects.

Applies to

DataWindows

Syntax

PowerBuilder dot notation:

```
dw_control.Object.DataWindow.HorizontalScrollPosition2
```

Describe and Modify argument:

```
"DataWindow.HorizontalScrollPosition2 { = scrollvalue }"
```

Table 3.129:

Parameter	Description
scrollvalue	An integer specifying the position of the scroll box in the second portion of a split horizontal scroll bar of the DataWindow

Examples

```
string spos
spos =dw1.Object.DataWindow.HorizontalScrollPosition2
dw1.Object.DataWindow.HorizontalScrollPosition2 = 200
spos = dw1.Describe( &
    "DataWindow.HorizontalScrollPosition2")
dw1.Modify( &
    "DataWindow.HorizontalScrollPosition2=200")
```

3.3.114 HorizontalScrollSplit

Description

The position of the split in the DataWindow's horizontal scroll bar. If HorizontalScrollSplit is zero, the scroll bar is not split.

Applies to

DataWindows

Syntax

PowerBuilder dot notation:

```
dw_control.Object.DataWindow.HorizontalScrollSplit
```

Describe and Modify argument:

```
"DataWindow.HorizontalScrollSplit { = splitdistance }"
```

Table 3.130:

Parameter	Description
splitdistance	An integer indicating where the split will occur in the horizontal scroll bar in a DataWindow object in the unit of measure specified for the DataWindow object

Examples

```
string setting
setting = dw1.Object.DataWindow.HorizontalScrollSplit
dw1.Object.DataWindow.HorizontalScrollSplit = 250
str = dw1.Describe("DataWindow.HorizontalScrollSplit")
dw1.Modify("DataWindow.HorizontalScrollSplit=250")
```

3.3.115 HTextAlign

Description

The way text in a button is horizontally aligned.

Applies to

Button controls

Syntax

PowerBuilder dot notation:

```
dw_control.Object.buttonname.HTextAlign
```

Describe and Modify argument:

```
"buttonname.HTextAlign { = ' value ' }"
```

Table 3.131:

Parameter	Description
buttonname	The name of the button for which you want to align text.
value	An integer indicating how the button text is horizontally aligned. Values are: 0 -- Center 1 -- Left 2 -- Right

Usage

In the painter

Select the control and set the value in the Properties view, General tab, Horizontal Alignment option.

Examples

```
dw1.Object.b_name.HTextAlign = "1"
setting = dw1.Describe("b_name.HTextAlign")
dw1.Modify("b_name.HTextAlign ='1'")
```

3.3.116 HTML.property (obsolete)

Description

Settings for adding user-defined HTML syntax and hyperlinks to controls in a Web DataWindow.

Obsolete property

HTML.property is obsolete and should not be used, because the Web DataWindow technology is obsolete.

Applies to

Column, Computed Field, Picture, and Text controls

Syntax

PowerBuilder dot notation:

```
dw_control.Object.controlname.HTML.property
```

Describe and Modify argument:

```
"controlname.HTML.property { = ' value ' }"
```

Table 3.132:

Parameter	Description
controlname	The name of the control whose HTML properties you want to get or set.
property	A property for generating HTML syntax and hyperlinks in a Web DataWindow. Properties and their values are listed in the table below.
value	The value to be assigned to the property. Value can be a quoted DataWindow expression only where noted.

Table 3.133:

Property for HTML	Value
AppendedHTML	HTML you want to append to the generated syntax for the rendering of a DataWindow control before the closing bracket of the HTML element for that control.
Link	<p>(exp) A URL that is the target of a link (HTML anchor element) generated for each data item in the column or for the specified control. The text or user-visible part of the link will be the data value in the column, the value of the computed field, the text in the Text control, or the image of a Picture control.</p> <p>The URL can include parameters. Other properties, such as LinkArgs, can cause additional parameters to be added when the HTML is generated.</p>
LinkArgs	<p>A string in the form:</p> <pre>argname='exp' { argname = 'exp' } ...</pre> <p>Argname is a page parameter to be passed to the server.</p> <p>Exp is a DataWindow expression whose value is a string. It is evaluated and converted using URL encoding and included in the linkargs string.</p> <p>The evaluated LinkArgs string is appended to the HTML.Link property when HTML is generated to produce a hyperlink for each data item in a column or other DataWindow control.</p>
LinkTarget	<p>(exp) The name of a target frame or window for the hyperlink (HTML A element) specified in the Link property. The target is included using the TARGET attribute.</p> <p>You can use the LinkTarget property to direct the new page to a detail window or frame in a master/detail page design.</p> <p>If LinkTarget is null or an empty string (""), then no TARGET attribute is generated.</p>
ValueIsHTML	(exp) A boolean that, if true, allows the control contents (data value in a read-only column, the value of a computed field that is not calculated on the

Property for HTML	Value
(does not apply to Picture controls)	client, or the text in a Text control) to be generated as HTML. For XHTML, the control contents must be well-formed XHTML.

Usage

The Link properties are typically used to create master/detail Web pages where a link on a data item jumps to a detail DataWindow for that item. LinkArgs is used to pass a retrieval argument identifying the particular item.

The AppendedHTML property is used to specify attributes and event actions to add to the HTML rendered for Web DataWindow controls.

ScrollToRow emulation

The ValueIsHTML property allows you to include standalone HTML syntax or tags in the generated Web DataWindow. You can use this feature to add horizontal rules (<HR>) and anchor tags (home) to Web DataWindows. If you add row-specific anchor tags, you can use the Modify method or DataWindow expressions to generate conditional HTML for each row.

The HTML generator does not validate the HTML you append to or include in controls in DataWindow objects. If the HTML is invalid, the DataWindow might not display correctly. You must also be careful not to append an event name that is already generated for the control as a coded client-side event.

In the painter

Select the control and set the value in the Properties view, HTML tab.

Examples

```
// EMPID and PAGE are page parameters for the
// page server's session object
dw1.Object.empid.HTML.Link = "empform.html"
dw1.Object.empid.HTML.LinkArgs = "EMPID = 'empid'"
dw1.Object.empid.HTML.LinkTarget = "detail_win"
dw1.Object.empid.HTML.ValueIsHTML = "true"
dw1.Object.helpicon.HTML.Link = "help.html"
dw1.Object.helpicon.LinkArgs = "PAGE = 'empform'"
setting = dw1.Describe("DataWindow.HTML.Link")
dw1.Modify("empid.HTML.Link = 'empform.html'")
```

3.3.117 HTMLDW (obsolete)

Description

Specifies whether HTML generated for the DataWindow object provides updates and interactivity.

Obsolete property

HTMLDW is obsolete and should not be used, because the Web DataWindow technology is obsolete.

Applies to

DataWindow objects

Syntax

PowerBuilder dot notation:

```
dw_control.Object.DataWindow.HTMLDW = value
```

Describe and Modify argument:

```
"DataWindow.HTMLDW { = ' value ' }"
```

Table 3.134:

Parameter	Description
value	<p>The value to be assigned to the property. Value can be a quoted DataWindow expression.</p> <p>Values are:</p> <ul style="list-style-type: none"> • Yes -- DataWindow HTML generation uses the HTMLGen properties. • No -- DataWindow HTML generation is a read-only table as described for the Data.HTMLTable property.

Usage

When HTMLDW is set to Yes, the generated HTML supports data entry and takes advantage of browser features that enable user interaction when used with a page server (as described for the Data.HTML property). The generated HTML can be used to produce a page that displays a subset of retrieved rows and can include JavaScript code requesting additional pages with other subsets of the retrieved rows.

The resulting HTML can be used as a Web DataWindow control, which is a cooperation between a server component, a page server, and a client Web browser. The server component produces the HTML and the page server incorporates it into a Web page.

The user interacts with the DataWindow in the client browser, and actions produced by buttons in the DataWindow object are sent back to the page server. The page server calls methods of the server component to request processing for the data in the DataWindow object, including applying actions, updating data, and scrolling to other subsets.

To affect the level of DataWindow features in the resulting HTML, or to produce master/detail links between two Web DataWindow controls, see [HTMLGen.property](#).

DataWindow features that will not be rendered into HTML include:

- Graph, OLE, and RichText presentation styles and controls.
- Client-side expressions that include aggregate functions. Aggregate functions cannot be evaluated in the browser. Instead, they will be evaluated on the server and the resulting value included in the HTML.
- Resizable and movable controls.

- Sliding of controls to fill empty space.
- Autosizing of height or width.
- EditMasks for column data entry.

In the painter

Select the DataWindow object by deselecting all controls; then select or clear the Web DataWindow check box on the General tab in the Properties view.

Examples

```
dw1.Object.DataWindow.HTMLDW = "yes"
setting = dw1.Describe ("DataWindow.HTMLDW")
dw1.Modify("DataWindow.HTMLDW = 'yes' ")
```

3.3.118 HTMLGen.property (obsolete)

Description

Settings that control the level of features incorporated into HTML generated for the DataWindow.

Obsolete property

HTMLGen.property is obsolete and should not be used, because the Web DataWindow technology is obsolete.

The Web Generation tab and JavaScript Generation tab are preserved for the backward compatibility only.

Applies to

DataWindow objects

Syntax

PowerBuilder dot notation:

```
dw_control.Object.DataWindow.HTMLGen.property
```

Describe and Modify argument:

```
"DataWindow.HTMLGen.property { = ' value ' }"
```

Table 3.135:

Parameter	Description
property	A property that controls how HTML is generated for a DataWindow. Properties and their values are listed in the table below.
value	The value to be assigned to the property. Value can be a quoted DataWindow expression where noted.

Table 3.136:

Property for HTMLGen	Value
Browser	<p>(exp) A string identifying the browser in which you want to display the generated HTML. The value should match the browser identifier part of the text string that the browser specifies in the HTTP header it sends to the server. This property is usually set dynamically on the server according to the HTTP header returned from the client.</p> <p>Recognized strings are listed in Browser recognition.</p>
ClientComputedFields	<p>(exp) Whether computed fields that reference column data are translated into JavaScript and computed in the client browser.</p> <p>Values are:</p> <ul style="list-style-type: none"> • Yes -- (Default) Computed fields are translated to JavaScript where possible. • No -- Computed fields are always calculated on the server. <p>Regardless of this setting, if the computed field includes aggregation functions, the computed field is calculated on the server. For more information about this and the following properties, see Client properties</p>
ClientEvents	<p>(exp) Whether JavaScript code to trigger events is included in the generated HTML.</p> <p>Values are:</p> <ul style="list-style-type: none"> • Yes -- (Default) JavaScript for triggering events is generated. • No -- JavaScript for events is not generated.
ClientFormatting	<p>(exp) Whether display formats are applied to data items that do not have focus. JavaScript for formatting the data is translated from display formats specified in the DataWindow painter. If you want to use regional settings, such as a period as a date separator and a comma as a decimal separator, you must set ClientFormatting to Yes.</p> <p>Values are:</p> <ul style="list-style-type: none"> • Yes -- (Default) Display formats are applied to data. • No -- Display formats are not used.
ClientScriptable	<p>(exp) Whether client-side JavaScript can interact with the control.</p> <p>Values are:</p> <ul style="list-style-type: none"> • Yes -- Client-side JavaScript can call methods of the control. • No -- (Default) Client-side JavaScript cannot call methods. <p>This option adds approximately 20K to the size of the generated HTML.</p>

Property for HTMLGen	Value
ClientValidation	<p>(exp) Whether JavaScript code to perform validation of user-entered data is included in the generated HTML. The validation code is translated from validation expressions specified in the DataWindow painter.</p> <p>Values are:</p> <ul style="list-style-type: none"> • Yes -- (Default) Validation expressions are generated. • No -- Validation expressions are not generated.
CommonJSFile	<p>(exp) Cache file name for common JavaScript functions required by Web DataWindows at runtime. If you set this property, the file is downloaded to the browser client once per session for use by all Web DataWindows. You can prefix the file name to a URL, or you can use the URL that you set with the HTMLGen.ResourceBase property. See JavaScript caching.</p>
DateJSFile	<p>(exp) Cache file name for common Web DataWindow functions that use a date format. If you set this property, the file is downloaded to the browser client once per session for use by all Web DataWindows. You can prefix the file name with a URL, or you can use the URL that you set with the HTMLGen.ResourceBase property. See JavaScript caching.</p>
EncodeSelfLinkArgs	<p>(exp) A switch to disable HTML 4 encoding of the evaluated HTMLGen.SelfLinkArgs expressions that are generated as hidden fields. The standard encoding limits character replacement to: &quot;, &amp;, &lt;, and &gt;. Disabling the standard encoding allows you to encode additional characters, but you must encode the argument expressions yourself.</p> <p>Values are:</p> <ul style="list-style-type: none"> • Yes -- (Default) Encoding performed by PowerBuilder. • No -- Encoding not performed.
GenerateDDDWWFrames	<p>(exp) Specifies whether drop-down DataWindows are generated using inline frames (iFrames). The use of iFrames enhances the display so that the drop-down DataWindow displays in a Web application as it would in a Windows application. Using iFrames increases the volume of markup generated.</p> <p>Values are:</p> <ul style="list-style-type: none"> • Yes -- (Default) Drop-down DataWindows are generated in formatted div elements over an iFrame. • No -- Drop-down DataWindows are generated in HTML select elements. <p>The use of the GenerateDDDWWFrames option for drop-down DataWindows is supported only in the Internet Explorer browser. In other browsers, the HTML select element is always used.</p>

Property for HTMLGen	Value
GenerateJavaScript	<p>(exp) Specifies whether to generate JavaScript if the browser is not recognized. Keep in mind that without JavaScript, updating of data is not available. Navigation links are still supported.</p> <p>Values are:</p> <ul style="list-style-type: none"> • Yes -- (Default) JavaScript is generated even if the browser is not recognized. The resulting JavaScript is portable and does not use browser-specific features. • No -- JavaScript is not generated unless the browser is recognized
HTMLVersion	<p>(exp) The version of HTML to generate.</p> <p>Values are:</p> <ul style="list-style-type: none"> • 3.2 -- (Default) The HTML will include style sheets, but no absolute positioning or regular expressions. • 4.0 -- The HTML will include style sheets, absolute positioning, and regular expressions. <p>If the browser is recognized, this property is ignored and browser-specific HTML is generated.</p>
NetscapeLayers	<p>(exp) Formats the Web DataWindow for Netscape 4.0 or later using absolute positioning (in a manner similar to the formatting for Internet Explorer). See NetscapeLayers property.</p>
NumberJSFile	<p>(exp) Cache file name for common Web DataWindow functions that use a number format. If you set this property, the file is downloaded to the browser client once per session for use by all Web DataWindows. You can prefix the file name with a URL, or you can use the URL that you set with the HTMLGen.ResourceBase property. See JavaScript caching.</p>
ObjectName	<p>(exp) A string specifying a name used in generated code for the Web DataWindow client control, page parameters, and client-side events.</p> <p>You must specify a unique object name when there will be more than one Web DataWindow on a Web page so that names will not conflict.</p>
PageSize	<p>(exp) The number of rows of data to include in a generated Web page. If the Web page does not include all available rows, you can include button controls to navigate to the rest of the data. To include all available rows in the page, specify 0 for PageSize.</p> <p>If the HTMLDW property is set to Yes, PageSize is used.</p> <p>If it is set to No, PageSize is ignored and all rows in the result set are generated in a single page.</p>
PagingMethod	<p>A value of the WebPagingMethod enumerated variable that determines how paging is handled.</p>

Property for HTMLGen	Value
	<p>Values are:</p> <p>PostBack! (0) -- (default) The control posts back to the server to perform paging operations.</p> <p>Callback! (1) -- The control calls a service on the client to perform paging operations.</p> <p>XMLClientSide! (2) -- The control retrieves the entire XML result set and performs paging operations on the client. This option is only available when the XML rendering format is used.</p> <p>See PagingMethod.</p>
ResourceBase	(exp) The URL for included JavaScript files. If you set this property, you do not need to include a URL in the values for these other HTMLGen properties: CommonJSFile, DateJSFile, NumberJSFile, and StringJSFile.
SelfLink	<p>(exp) A string specifying the URL for the current page. It cannot include parameters. Parameters specified in SelfLinkArgs can be added when HTML is generated.</p> <p>SelfLink is used to generate URLs for navigation buttons that obtain additional rows from the result set and for other buttons that reload the page, such as Update and Retrieve.</p>
SelfLinkArgs	<p>A string in the form:</p> <pre>argname='exp' { argname = 'exp' } ...</pre> <p>Argname is a page parameter to be passed to the server.</p> <p>Exp is a DataWindow expression whose value is a string. The DataWindow in the server component evaluates it, converts it using URL encoding, and includes it in the SelfLinkArgs string.</p> <p>The evaluated SelfLinkArgs expressions are included in the generated HTML as hidden fields. The arguments supply information that the server needs to render additional pages of the result set, such as retrieval arguments.</p>
StringJSFile	(exp) Cache file name for common Web DataWindow functions that use a string format. If you set this property, the file is downloaded to the browser client once per session for use by all Web DataWindows. You can prefix the file name with a URL, or you can use the URL that you set with the HTMLGen.ResourceBase property. See JavaScript caching .
TabIndexBase	(exp) Sets the starting tab order number for a Web DataWindow. This property is useful for a Web page with multiple Web DataWindows when you can tab between columns of the DataWindows. Setting this property has no effect on page functionality when the page is viewed in a browser that does not support the tab index attribute. The maximum tab index allowed for a page is 32767. See TabIndexBase property .
UserJSFile	(exp) Cache file name for user-defined Web DataWindow functions. If you set this property, the file is downloaded to the browser client

Property for HTMLGen	Value
	once per session for use by all Web DataWindows. You can prefix the file name to a URL, or you can use the URL that you set with the HTMLGen.ResourceBase property. See JavaScript caching .

Usage

Most of these properties are considered only when the HTMLDW property is set to Yes.

Browser recognition

The Browser and HTMLVersion properties are always considered when HTML is generated, regardless of the HTMLDW setting.

Browser identification strings are sent by the client to the server in the HTTP header. The server component can assign the HTTP_USER_AGENT value from the HTTP header to the Browser property. If the string specifies a browser that the DataWindow engine supports, the DataWindow will generate HTML optimized for that browser. Browser-specific HTML is generated only for Microsoft Internet Explorer and Netscape browsers.

If the browser is not recognized or not specified, then the generated HTML will use the HTMLVersion and GenerateJavaScript properties to decide what features to include.

DataWindow HTML generation recognizes these browsers:

Table 3.137:

Browser	HTTP header string	HTML features used
Netscape	Mozilla/1.x (No style sheets, no absolute positioning, no JavaScript.
	Mozilla/2.x (JavaScript.
	Mozilla/3.x (No style sheets, no absolute positioning, no regular expressions.
	Mozilla/4.x (Style sheets, JavaScript, regular expressions. No absolute positioning.
Microsoft Internet Explorer	Mozilla/1.22 (compatible; MSIE 2.x;	No style sheets, no absolute positioning, no tab order, no JavaScript.
	Mozilla/2.0 (compatible; MSIE 3.x;	Style sheets, tab order, JavaScript. No absolute positioning, no regular expressions.
	Mozilla/4.0 (compatible; MSIE 4.x, Mozilla/4.0 (compatible; MSIE 5.x; Mozilla/4.0 (compatible; MSIE 6.x;	Style sheets, absolute positioning, tab order, regular expressions.
Opera	Mozilla/3.0 (compatible; Opera 3.x;	JavaScript, regular expressions. No style sheets, no absolute positioning.

Columns with RichText edit style

To save rich text formatting in columns with the RichText edit style, the HTMLGen.Browser property must be set to "Microsoft Internet Explorer" and the HTMLGen.HTMLVersion property to "4.0".

Client properties

The ClientEvents, ClientFormatting, ClientValidation, ClientComputedFields, and ClientScriptable properties control the amount of JavaScript that is generated for the Web DataWindow, which impacts the size of the page that is downloaded to the browser. You can reduce the size of the generated HTML by setting one or more of the properties to No.

JavaScript caching

You can also reduce the size of the generated HTML by setting up cache files for common Web DataWindow client-side methods. You can generate these files using the JavaScript Generation wizard that you launch from a button on the JavaScript Generation tab of the Properties view in the DataWindow painter.

Once you generate these files, you can set the file names as values for the CommonJSFile, DateJSFile, NumberJSFile, and/or StringJSFile properties. When you set these properties, the methods defined in the referenced files will not be generated with the HTML in any Web DataWindow pages that are sent to the page server and client browser.

With JavaScript caching, you improve performance after the first Web DataWindow page is generated—as long as the browser on the client computer is configured to use cached files. With caching enabled, the browser loads the JS files from the Web server into its cache, and these become available for all the Web DataWindow pages in your application. There is no performance gain if the browser does not find the JS files in its cache since, in this case, it reloads the files from the Web server.

PagingMethod

The PagingMethod property determines whether the control uses the client-side script callback mechanism introduced in the .NET Framework 2.0 to execute server-side code without posting and refreshing the current page.

The default is to post back to the server (PostBack!).

The Callback! option uses script callbacks to retrieve the next page of XML data. It corresponds to the Microsoft GridView control's EnableSortingAndPagingCallback property, but applies only to paging. Client-side sorting is handled by another mechanism.

For the XML rendering format, the design of the Callback! option requires that a reusable XSLT stylesheet be generated so that the browser can cache it. The benefit from this requirement is that only the XML data for the next requested page need be returned by the callback. This XML data is always trivial in size (about a 1 to 20 ratio), resulting in significant bandwidth savings. This is unlike other implementations, where the entire presentation is always regenerated and downloaded again from every callback.

The generated XSLT stylesheet is not reusable, and therefore cannot be cached by the browser, if the DataWindow layout is inconsistent page-to-page, or it does not contain a complete first page of data. In these scenarios, the Callback! option defers to PostBack! until a stylesheet can be generated that is reusable, and can therefore be cached in the browser.

The `XMLClientSide!` option is only available with the XML rendering format. It retrieves the entire XML result set and uses XSLT re-transformation of the cached stylesheet to perform paging on the client. This option can currently be used only if the presentation style is uniform from page to page. For example, it cannot handle a summary band on the last page.

When `PagingMethod` is set to `XMLClientSide!`, `InsertRow`, `AppendRow`, and `DeleteRow` actions do not require a postback or callback to the server. However, computed fields in the DataWindow that are dependent on the `RowCount` method are not refreshed until an action such as `Update` or `Retrieve` forces a postback to the server.

NetscapeLayers property

Even if you set the `NetscapeLayers` property to true, certain functionality in a Netscape browser using absolute positioning might not be identical to the functionality available with Internet Explorer. For example, you cannot tab between DataWindow columns using a Netscape browser on an NT machine (although you can do this using a Netscape browser on a Solaris machine).

TabIndexBase property

If you add Web DataWindows to a page that already has a Web DataWindow on it, you can set the `TabIndexBase` property for each Web DataWindow you add.

For a page with two Web DataWindows, setting the tab index base for the second DataWindow to a number greater than the tab index for the last column of the first DataWindow allows the user (using an Internet Explorer browser) to tab through all the columns of the first DataWindow before tabbing to the second DataWindow. Otherwise, pressing the Tab key could cause the cursor and focus to jump from one DataWindow to another instead of tabbing to the next column in the DataWindow that initially had focus.

In the painter

Select the DataWindow object by deselecting all controls; then set the values in the Properties view, Web Generation tab or JavaScript Generation tab. Select HTML/XHTML from the Format to Configure list to display the properties.

Examples

```
dw1.Object.DataWindow.HTMLGen.HTMLVersion = "4.0"
setting = dw1.Describe ("DataWindow.HTMLGen.Browser")
dw1.Modify ("DataWindow.HTMLGen.ClientValidation = 'no'")
dw1.Modify ("DataWindow.HTMLGen.PublishPath = 'C:\Inetpub\wwwroot\MyWebApp
\generatedfiles' ")
dw1.Modify ("DataWindow.HTMLGen.ResourceBase = '/MyWebApp/generatedfiles' ")
```

This statement sets the `XMLGen.Paging` property so that the complete result set is downloaded to the client and paging takes place on the client:

```
dw1.Modify ("DataWindow.HTMLGen.PagingMethod=XMLClientSide!")
```

This statement sets the `HTMLGen.PagingMethod` property to use script callbacks:

```
dw1.Object.DataWindow.HTMLGen.PagingMethod=1
```

3.3.119 HTMLTable.property (obsolete)

Description

Settings for the display of DataWindow data when displayed in HTML table format. These settings simplify the transfer of data from a database to an HTML page. They are particularly useful when used to create HTML pages dynamically.

Obsolete property

HTMLTable.property is obsolete and should not be used, because the Web DataWindow technology is obsolete.

Applies to

DataWindow objects

Syntax

PowerBuilder dot notation:

```
dw_control.Object.DataWindow.HTMLTable.property
```

Describe and Modify argument:

```
"DataWindow.HTMLTable.property { = ' value ' }"
```

Table 3.138:

Parameter	Description
property	A property for a DataWindow to be displayed in HTML table format. Properties and their values are listed in the table below.
value	The value to be assigned to the property. Value can be a quoted DataWindow expression.

Table 3.139:

Property for HTMLTable	Value
Border	(exp) Border attribute for the HTMLTable element. The default is 1 (line around the table).
CellPadding	(exp) CellPadding attribute for the HTMLTable element. The default is 0.
CellSpacing	(exp) CellSpacing attribute for the HTMLTable element. The default is 0.
GenerateCSS	(exp) Controls whether the DataWindow HTMLTable property's Table element contains border, cellpadding, cellspacing, nowrap, and width attributes. Also controls whether elements within the table contain CLASS references that control style sheet use. The default is no.
NoWrap	(exp) NoWrap attribute for the HTMLTable element. The default is to include this attribute.
StyleSheet	(exp) HTML cascading style sheet generated for the DataWindow.
Width	Width attribute for the HTMLTable element. The default is 0.

Usage

In the painter

Set the value using the Properties view, HTML Table tab.

Examples

```
dw1.Object.DataWindow.HTMLTable.Border = "2"
setting = dw1.Describe ("DataWindow.HTMLTable.StyleSheet")
dw1.Modify("DataWindow.HTMLTable.NoWrap = 'yes' ")
```

3.3.120 ID

Description

The number of the column or TableBlob.

Applies to

Column and TableBlob controls

Syntax

PowerBuilder dot notation:

```
dw_control.Object.controlname.ID
```

Describe and Modify argument:

```
"controlname.ID"
```

Table 3.140:

Parameter	Description
controlname	The name of the column or TableBlob for which you want the ID number

Examples

```
setting = dw1.Object.empname.ID
setting = dw1.Describe("empname.ID")
```

3.3.121 Identity

Description

Whether the database is to supply the value of the column in a newly inserted row. If so, the column is not updatable; the column is excluded from the INSERT statement.

Not all DBMSs support the identity property. For more information see the documentation for your DBMS.

Applies to

Column controls

Syntax

PowerBuilder dot notation:

```
dw_control.Object.columnname.Identity
```

Describe and Modify argument:

```
"columnname.Identity { = ' value ' }"
```

Table 3.141:

Parameter	Description
columnname	A string containing the name of the column for which you want to get or set the identity property.
value	A string indicating whether a column's value in a newly inserted row is supplied by the DBMS: Yes -- The DBMS will supply the value of the column in a newly inserted row; the column is not updatable. No -- The column is updatable.

Examples

```
dw1.Object.empid.Identity = "yes"
dw1.Modify("empid.Identity='yes'")
```

3.3.122 Import.XML.Trace**Description**

Setting that determines whether import trace information is written to a log file.

Applies to

DataWindow objects

Syntax

PowerBuilder dot notation:

```
dw_control.Object.DataWindow.Import.XML.Trace
```

Describe and Modify argument:

```
"DataWindow.Import.XML.Trace { = ' value ' }"
```

Table 3.142:

Parameter	Description
value	Whether trace information is written to a log file. Values are: <ul style="list-style-type: none"> • Yes -- Trace information is written to a log file. • No -- Trace information is not written to a log file (default).

Usage

If you want to collect trace information, this property should be set before you call the ImportClipboard, ImportFile, or ImportString method to import data from an XML document. The trace information is appended to the file you specify using the Import.XML.TraceFile property. If no trace file is specified, trace information is appended to a file named pbxmltrc.log in the current directory.

In the painter

In the Data Import tab in the Properties view for the DataWindow object, select XML from the Format to Configure list, and type a file name in the Trace File Name text box.

Examples

This example specifies that trace information should be written to a file called xmltrace.log in the C:\temp directory.

```
dw1.Modify("DataWindow.Import.XML.Trace = 'yes' ")
dw1.Modify("DataWindow.Import.XML.TraceFile = 'C:\temp\xmltrace.log' ")
```

See also

[Import.XML.TraceFile](#)

3.3.123 Import.XML.TraceFile

Description

Specifies the name and location of an import trace file.

Applies to

DataWindow objects

Syntax

PowerBuilder dot notation:

```
dw_control.Object.DataWindow.Import.XML.TraceFile
```

Describe and Modify argument:

```
"DataWindow.Import.XML.TraceFile { = ' value ' }"
```

Table 3.143:

Parameter	Description
value	A string whose value is the name of the trace output file. If the file does not exist, it is created.

Usage

If you want to collect trace information, the Import.XML.Trace property should be set before you call the ImportClipboard, ImportFile, or ImportString method to import data from an XML document. The trace information is appended to the file you specify using the Import.XML.TraceFile property. If no trace file is specified, trace information is appended to a file named pbxmltrc.log in the current directory.

In the painter

In the Data Import tab in the Properties view for the DataWindow object, select XML from the Format to Configure list, and type a file name in the Trace File Name text box.

Examples

This example specifies that trace information should be written to a file called xmltrace.log in the C:\temp directory.

```
dw1.Object.DataWindow.Import.XML.Trace = 'yes'
dw1.Object.DataWindow.Import.XML.TraceFile = 'C:\temp\xmltrace.log'
```

See also[Import.XML.Trace](#)**3.3.124 Import.XML.UseTemplate****Description**

Setting that optionally controls the logical structure of the XML imported from an XML file into a DataWindow object using the ImportFile method.

Applies to

DataWindow objects

Syntax

PowerBuilder dot notation:

```
dw_control.Object.DataWindow.Import.XML.UseTemplate
```

Describe and Modify argument:

```
"DataWindow.Import.XML.UseTemplate { = ' value ' }"
```

Table 3.144:

Parameter	Description
value	(exp) A string specifying the name of an import template previously saved in the DataWindow painter for the specified DataWindow object

Usage

This property should be set to specify the logical structure of the XML imported before you call the ImportFile method to import data from an XML document. An import template is not required if the XML document from which data is imported corresponds to the DataWindow column definition.

If an export template for a DataWindow object exists, it can be used as an import template. Only the mapping of column names to element attribute names is used for import. The order of elements within the template is not significant, because import values are located by name match and nesting depth within the XML document. All other information in the template, such as controls and comments, is ignored.

In the painter

In the Data Import tab in the Properties view for the DataWindow object, select XML from the Format to Configure list and select a template from the Use Template list.

Examples

This example sets the name of the current XML import template used in dw1 to t_import_report. If t_import_report does not exist, the current template is not changed.

```
dw1.Modify("DataWindow.Import.XML.UseTemplate = 't_import_report' ")
```

See also[Import.XML.UseTemplate](#)

3.3.125 Initial

Description

The initial value of the column in a newly inserted row.

Applies to

Column controls

Syntax

PowerBuilder dot notation:

```
dw_control.Object.columnname.Initial
```

Describe and Modify argument:

```
"columnname.Initial { = ' initialvalue ' }"
```

Table 3.145:

Parameter	Description
columnname	A string containing the name of the column for which you want to get or set the initial property.
initialvalue	A string containing the initial value of the column. Special values include: Empty -- A string of length 0 Null -- No value Spaces -- All blanks Today -- Current date, time, or date and time

Examples

```
setting = dw1.Object.empname.Initial
dw1.Object.empname.Initial = "empty"
setting = dw1.Describe("empname.Initial")
dw1.Modify("empname.Initial='empty'")
dw1.Modify("empstatus.Initial='A'")
```

3.3.126 Ink.property

Description

Properties that control the attributes of ink in an InkPicture control or a column with the InkEdit edit style.

Applies to

Column and InkPicture controls

Syntax

PowerBuilder dot notation:

```
dw_control.Object.inkpicname.Ink.property
dw_control.Object.columnname.Ink.property
```

Describe and Modify argument:

```
"inkpicname.Ink.property { = value }"
"columnname.Ink.property { = value }"
```

Table 3.146:

Parameter	Description
inkpicname	The name of an InkPicture control.
columnname	The name of a column that has the InkEdit edit style.
property	A property for the InkPicture control or InkEdit column. Properties and their settings are listed in the table below.
value	The value to be assigned to the property.

Table 3.147:

Property for Ink	Value
AntiAliased	<p>A drawing attribute that specifies whether the foreground and background colors along the edge of the drawn ink are blended (antialiased) to make the stroke smoother and sharper.</p> <p>Values are:</p> <p>true -- The ink stroke appears smoother and sharper (default)</p> <p>false -- The ink stroke is not antialiased</p> <p>Painter: InkAntiAliased option.</p>
Color	<p>A drawing attribute that specifies the current ink color. The default color is black.</p> <p>Painter: InkColor option.</p>
Height	<p>A drawing attribute that specifies the height of the side of the rectangular pen tip in HIMETRIC units (1 HIMETRIC unit = .01mm). The default is 1.</p> <p>Painter: InkHeight option.</p>
IgnorePressure	<p>A drawing attribute that specifies whether the drawn ink gets wider as the pressure of the pen tip on the tablet surface increases.</p> <p>Values are:</p> <p>true -- Pressure from the pen tip is ignored</p> <p>false -- The width of the ink increases with the pressure of the pen tip (default)</p> <p>Painter: IgnorePressure option.</p>
Pentip	<p>A drawing attribute that specifies whether the pen tip is round or rectangular.</p> <p>Values are:</p> <p>Ball (0) -- The pen tip is round (default)</p> <p>Rectangle (1) -- The pen tip is rectangular</p>

Property for Ink	Value
	Painter: PenTip option.
Transparency	A drawing attribute that specifies the transparency of drawn ink. The range of values is from 0 for totally opaque (the default) to 255 for totally transparent. Painter: InkTransparency option.
Width	A drawing attribute that specifies the width of the side of the rectangular pen tip in HIMETRIC units (1 HIMETRIC unit = .01mm). The default is 53. Painter: InkWidth option.

Usage

In the painter

Select the control and set values in the Properties view, Ink or InkPicture tab, InkAttributes section.

Examples

```
dw1.Object.inkpic1.Ink.Antialiased = true
li_color = dw1.Describe("emp_status.Ink.Color")
```

See also

[InkEdit.property](#)

[InkPic.property](#)

3.3.127 InkEdit.property

Description

Properties that control the behavior of a column with the InkEdit edit style.

Applies to

Column controls

Syntax

PowerBuilder dot notation:

```
dw_control.Object.columnname.InkEdit.property
```

Describe and Modify argument:

```
"columnname.InkEdit.property { = value }"
```

Table 3.148:

Parameter	Description
columnname	The name of a column that has the InkEdit edit style.
property	A property for the InkEdit column. Properties and their settings are listed in the table below.
value	The value to be assigned to the property.

Table 3.149:

Property for InkEdit	Value
AutoSelect	<p>Whether to select the contents of the edit control automatically when it receives focus. Values are:</p> <p>Yes -- Select automatically (default).</p> <p>No -- Do not select automatically.</p> <p>You can use AutoSelect with SyntaxFromSql. The setting applies to all the columns in the generated syntax.</p> <p>Painter: Auto Selection option.</p>
DisplayOnly	<p>Specifies whether the text is display-only and cannot be changed by the user. Values are:</p> <p>true -- Text cannot be changed by user.</p> <p>false -- Text can be changed by user (default).</p> <p>Painter: Display Only option.</p>
Factoid	<p>Specifies a context for ink recognition. Set this property if the input data is of a known type, such as a date or Web address, to constrain the search for a recognition result. Possible values include digit, e-mail, Web, date, time, number, currency, percent, and telephone. For a list of values, see the table that follows.</p> <p>Painter: Factoid option.</p>
FocusRectangle	<p>Whether a dotted rectangle (the focus rectangle) will surround the current row of the column when the column has focus. Values are:</p> <p>Yes -- (Default) Display the focus rectangle.</p> <p>No -- Do not display the focus rectangle (default).</p> <p>You can use FocusRectangle with SyntaxFromSql. The setting applies to all the columns in the generated syntax.</p> <p>Painter: Show Focus Rectangle option.</p>
HScrollbar	<p>Whether a horizontal scroll bar displays in the edit control. Values are:</p> <p>Yes -- Display the horizontal scroll bar.</p> <p>No -- Do not display the horizontal scroll bar (default).</p> <p>Painter: Horizontal Scroll Bar option.</p>
InkMode	<p>Specifies whether ink collection is enabled and whether ink only or ink and gestures are collected. Values are:</p> <p>InkDisabled (0) -- Ink collection is disabled.</p> <p>CollectInkOnly (1) -- Only ink is collected.</p> <p>CollectInkAndGestures (2) -- Ink and gestures are collected (default).</p>

Property for InkEdit	Value
	Painter: InkMode option.
Limit	A number specifying the maximum number of characters (0 to 32,767) that the user can enter. 0 means unlimited. Painter: Limit option.
NilIsNull	Whether to set the data value of the InkEdit to null when the user leaves the edit box blank. Values are: Yes -- Make the Empty string null. No -- Do not make the empty string null (default). Painter: Empty String is null option.
RecognitionTimer	Specifies the time period in milliseconds between the last ink stroke and the start of text recognition. The default is 2000 (two seconds). Painter: RecognitionTimer option.
Required	Whether the column is required. Values are: Yes -- Required. No -- (Default) Not required. Painter: Required option.
UseMouseForInput	Specifies whether the mouse can be used for input on a Tablet PC. Values are: true -- The mouse can be used for input false -- The mouse cannot be used for input (default) Painter: UseMouseForInput option.
VScrollbar	Whether a vertical scroll bar displays in the edit control. Values are: Yes -- Display a vertical scroll bar. No -- Do not display a vertical scroll bar (default). Painter: Vertical Scroll Bar option.

Usage

The following values for Factoid are available. After the Default and None factoids, the drop-down list in the Properties view displays factoids for special formats in alphabetical order, followed by single-character factoids and Asian-language factoids. You can set multiple factoids by separating them with the pipe (|) character.

Table 3.150:

Factoid	Description
Default	Returns recognizer to the default setting. For Western languages, the default setting includes the user and system dictionaries, various punctuation marks, and the Web and Number factoids. For Eastern languages, the default setting includes all characters supported by the recognizer.
None	Disables all factoids, dictionaries, and the language model.

Factoid	Description
Currency	Currency in pounds, dollars, euros, and yen.
Date	Dates written in English; for example 8/19/2005, Aug 19, 2005, or Friday, August 19, 2005.
E-mail	E-mail addresses.
Filename	Windows file name paths. The name cannot include the following characters: / : " < >
Number	Numeric values, including ordinals, decimals, separators, common suffixes, and mathematical symbols. This factoid includes the Currency and Time factoids.
Percent	A number followed by the percent symbol.
Postal Code	Postal codes as written in English, for example 01730 or CT17 9PW.
System Dictionary	Words in the system dictionary only.
Telephone	Telephone numbers as written in English, for example (555) 555 5555 or +44 1234 123456.
Time	Times as written in English, for example 15:05 or 3:05 pm.
Web	Various URL formats.
Word List	Words on the word list associated with the recognizer context only.
Digit	A single digit (0-9).
One Char	A single ANSI character.
Upper Char	A single uppercase character.

In addition, the following Asian-language factoids are available:

Table 3.151:

Bopomofo	Kanji Common
Hangul Common	Katakana
Hiragana	Korean Common
Jamo	Simplified Chinese Common
Japanese Common	Traditional Chinese Common

In the painter

Select the control and set values in the Properties view, Ink tab for properties relating to Ink, or the Edit tab for properties common to other edit styles. The Style Type on the Edit tab must be set to InkEdit.

Examples

```
string str
str = dw1.Object.emp_name.InkEdit.Factoid
dw1.Object.emp_name.InkEdit.Factoid = EMAIL
str = dw1.Describe("emp_bd.InkEdit.Factoid")
dw1.Modify("emp_bd.InkEdit.Factoid=EMAIL")
string str
```

```
str = dw1.Object.emp_name.InkEdit.AutoHScroll
dw1.Object.emp_name.InkEdit.Required = "no"
```

See also

[Ink.property](#)

3.3.128 InkPic.property**Description**

Properties that control the behavior of ink in an InkPicture control.

Applies to

InkPicture controls

Syntax

PowerBuilder dot notation:

```
dw_control.Object.inkpicname.InkPic.property
```

Describe and Modify argument:

```
"inkpicname.InkPic.property { = value }"
```

Table 3.152:

Parameter	Description
inkpicname	The name of an InkPicture control.
property	A property for the InkPicture control. Properties and their settings are listed in the table below.
value	The value to be assigned to the property.

Table 3.153:

Property for InkPic	Value
AutoErase	Specifies whether the auto erase feature available on some styluses is turned on. Values are: true -- AutoErase is turned on. false -- AutoErase is turned off (default). Painter: AutoErase option.
BackColor	Specifies the numeric value of the background color: -2 to 16,777,215. For more information about color, see the RGB function. Painter: BackColor option.
CollectionMode	Specifies whether ink only, gestures only, or ink and gestures are collected. Values are: InkOnly (0) -- Only ink is collected (default). GestureOnly (1) -- Only gestures are collected. InkAndGesture (2) -- Ink and gestures are collected.

Property for InkPic	Value
	Painter: CollectionMode option.
DynamicRendering	Specifies whether the ink is rendered (displayed in the control) as it is drawn. The default is true. Painter: DynamicRendering option.
EditMode	Specifies whether the editing mode of the control is set for drawing, deleting, or selecting ink. Values are: InkMode (0) -- Ink is drawn (default). DeleteMode (1) -- Ink is deleted. SelectMode (2) -- Ink is selected. Painter: EditMode option.
EraserMode	Specifies whether ink is removed by stroke or point. Values are: StrokeErase (0) -- The entire ink stroke under the stylus is removed (default). PointErase (1) -- Only the ink under the stylus is removed. Painter: EraserMode option.
EraserWidth	Specifies the width of the eraser pen tip in HIMETRIC units (1 HIMETRIC unit = .01mm). The default is 212. This property applies when EditMode is set to DeleteMode and EraserMode is set to PointErase. Painter: EraserWidth option.
HighContrastInk	Specifies whether ink is rendered in a single color when the system is in high contrast mode and draws the selection rectangle and handles in high contrast. Values are: true -- Ink is rendered in a single color in high contrast mode (default). false -- Ink is not rendered in a single color in high contrast mode. Painter: HighContrastInk option.
InkEnabled	Specifies whether the InkPicture control collects pen input. Values are: true -- The control collects pen input (default). false -- The control does not collect pen input and no pen-related events fire. Painter: InkEnabled option.
MarginX	Specifies the x-axis margin around the control in PowerBuilder units. The default value is 0. Painter: MarginX option.
MarginY	Specifies the y-axis margin around the control in PowerBuilder units. The default value is 0. Painter: MarginY option.
PictureSizeMode	Specifies how the picture is displayed in the control. Values are:

Property for InkPic	Value
	Center Image (1) -- The picture is centered in the control. Normal (2) -- The picture is displayed in the upper-left corner of the control and any part of the picture that does not fit in the control is clipped (default). Stretch (3) -- The picture is stretched to fill the control. Painter: PictureSizeMode option.

Usage

In the painter

Select the control and set values in the Properties view, InkPicture tab.

Examples

```
dw1.Object.inkpic1.InkPic.InkEnabled = true
li_color = dw1.Describe("inkpic1.InkPic.BackColor")
```

See also

[Ink.property](#)

3.3.129 Invert

Description

The way the colors in a Picture control are displayed, either inverted or normal.

Applies to

Picture controls

Syntax

PowerBuilder dot notation:

```
dw_control.Object.bitmapname.Invert
```

Describe and Modify argument:

```
"bitmapname.Invert { = ' number ' }"
```

Table 3.154:

Parameter	Description
bitmapname	The name of the Picture control in the DataWindow for which you want to invert the colors.
number	(exp) A boolean number indicating whether the colors of the picture will display inverted. Values are: 0 -- (Default) No; do not invert the picture's colors. 1 -- Yes; display the picture with colors inverted.

Parameter	Description
	Number can be a quoted DataWindow expression.

Usage

In the painter

Select the control and set the value in the Properties view, General tab, Invert Image check box.

Examples

```
string setting
setting = dw1.Object.bitmap_1.Invert
dw1.Object.bitmap_1.Invert="0~tIf(empstatus='A',0,1)"
setting = dw1.Describe("bitmap_1.Invert")
dw1.Modify( &
"bitmap_1.Invert='0~tIf(empstatus=~~~'A~~~',0,1)'" )
```

3.3.130 JSGen.property (obsolete)

Description

Settings that specify the physical path to which generated JavaScript is published and the URL indicating the location of the generated JavaScript.

Obsolete property

JSGen.property is obsolete and should not be used, because the Web DataWindow technology is obsolete.

The Web Generation tab and JavaScript Generation tab are preserved for the backward compatibility only.

Applies to

DataWindow objects

Syntax

PowerBuilder dot notation:

```
dw_control.Object.DataWindow.JSGen.property
```

Describe and Modify argument:

```
"DataWindow.JSGen.property { = ' value ' }"
```

Table 3.155:

Parameter	Description
property	One of the following: <ul style="list-style-type: none"> PublishPath ResourceBase

Parameter	Description
value	(exp) PublishPath -- A string that specifies the physical path of the website folder to which PowerBuilder publishes the generated JavaScript. (exp) ResourceBase -- A string that specifies the URL of the generated JavaScript for performing client-side XSLT transformation and instantiation of client-side data.

Usage

The PublishPath folder must correspond to the URL specified in the ResourceBase property. At runtime, after PowerBuilder generates JavaScript to the PublishPath folder, it includes it in the final XHTML page by referencing it with the value of the ResourceBase property in a <script> element.

In the painter

In the JavaScript Generation tab in the Properties view for the DataWindow object, select XHTML from the Format to Configure list and specify the ResourceBase and Publish Path locations.

Examples

These statements set the JSGen.ResourceBase and JSGen.PublishPath properties:

```
dw1.Object.DataWindow.JSGen.ResourceBase= &
'http://www.myserver.com/xmlsource'
dw1.Object.DataWindow.JSGen.PublishPath= &
'C:\work\outputfiles\xmlsource'
```

3.3.131 Key

Description

Whether the column is part of the database table's primary key.

Applies to

Column controls

Syntax

PowerBuilder dot notation:

```
dw_control.Object.columnname.Key
```

Describe and Modify argument:

```
"columnname.Key { = value }"
```

Table 3.156:

Parameter	Description
columnname	The column for which you want to get or set primary key status.
value	Whether the column is part of the primary key. Values are: Yes -- The column is part of the primary key

Parameter	Description
	No -- The column is not part of the key

Usage

In the painter

Set the value using the Rows menu, Update Properties.

Examples

```
string setting
setting = dw1.Object.empid.Key
dw1.Object.empid.Key = "Yes"
setting = dw1.Describe("empid.Key")
dw1.Modify("empid.Key=Yes")
```

3.3.132 KeyClause

Description

An expression to be used as the key clause when retrieving the blob.

Applies to

TableBlob controls

Syntax

PowerBuilder dot notation:

```
dw_control.Object.tblobname.KeyClause
```

Describe and Modify argument:

```
"tblobname.KeyClause { = ' keyclause ' }"
```

Table 3.157:

Parameter	Description
tblobname	The name of the TableBlob for which you want to specify a key clause.
keyclause	(exp) A string that will be built into a key clause using the substitutions provided. The key clause can be any valid WHERE clause. Keyclause can be a quoted DataWindow expression.

Usage

In the painter

Select the control and set the value in the Properties view, Definition tab, Key Clause option.

Examples

With the following setting, the value of key_col will be put in col2 when PowerBuilder constructs the WHERE clause for the SELECTBLOB statement:

```
dw1.Modify(blob_1.KeyClause='Key_col = :col2')
```

3.3.133 Label.property

Description

Settings for a DataWindow whose presentation style is Label.

Applies to

DataWindows

Syntax

PowerBuilder dot notation:

```
dw_control.Object.DataWindow.Label.property
```

Describe and Modify argument:

```
"DataWindow.Label.property { = value }"
```

SyntaxFromSql:

```
DataWindow(Label.property = value)
```

Table 3.158:

Parameter	Description
property	A property for the Label presentation style. Properties and their settings are listed in the table below.
value	The value to be assigned to the property. For Label properties, value cannot be a DataWindow expression.

Table 3.159:

Property for Label	Value
Columns	An integer indicating the number of columns of labels on a sheet. Painter: Label group, Labels Across option.
Columns.Spacing	An integer indicating the space between columns of labels in the units specified for the DataWindow object. Painter: Arrangement group, Between Columns option.
Ellipse_Height	An integer specifying the height of the rounded corners of a RoundedRectangle label. This property is not valid for any other label shape. This value uses the same unit of measure specified for the DataWindow object. Painter: Not set in painter.
Ellipse_Width	An integer specifying the width of the rounded corners of a RoundedRectangle label. This property is not valid for any other label shape. This value uses the same unit of measure specified for the DataWindow object. Painter: Not set in painter.
Height	An integer specifying the height of a label in the units specified for the DataWindow object.

Property for Label	Value
	Painter: Label group, Height option.
Name	A string containing the name of a label. Painter: Predefined Label option.
Rows	An integer indicating the number of rows of labels on a sheet. Painter: Label group, Labels Down option.
Rows.Spacing	An integer indicating the space between rows of labels on a sheet in the units specified for the DataWindow object. Painter: Arrangement group, Between Rows option.
Shape	A string specifying the shape of a label. Values are: Rectangle RoundRectangle Oval Painter: Not set in painter.
Sheet	(Describe only) Whether the paper is sheet fed or continuous. Values are: Yes -- Sheet fed No -- Continuous Painter: Arrangement group, Paper option.
TopDown	(Describe only) Whether the labels will be printed from the top to the bottom or across the page. Values are: No -- Print labels across the page. Yes -- Print labels from top to bottom. Painter: Arrangement group, Arrange option.
Width	An integer specifying the width of a label in the units specified for the DataWindow object. Painter: Label group, Width option.

Usage

In the painter

Select the DataWindow object by deselecting all controls; then set the value in the Properties view, General tab (when presentation style is Label).

Examples

```
string setting
```

```

setting = dw1.Object.DataWindow.Label.Sheet
dw1.Object.DataWindow.Label.Width = 250
setting = dw1.Describe("DataWindow.Label.Sheet")
dw1.Modify("DataWindow.Label.Width=250")
dw1.Modify("DataWindow.Label.Height=150")
dw1.Modify("DataWindow.Label.Columns=2")
dw1.Modify("DataWindow.Label.Width=250")
dw1.Modify("DataWindow.Label.Name='Address1'")

```

3.3.134 LabelDispAttr.fontproperty

See [DispAttr.fontproperty](#).

3.3.135 LastRowOnPage

Description

The last row currently visible in the DataWindow.

Applies to

DataWindows

Syntax

PowerBuilder dot notation:

```
dw_control.Object.DataWindow.LastRowOnPage
```

Describe argument:

```
"DataWindow.LastRowOnPage"
```

Examples

```

string setting
setting = dw1.Object.DataWindow.LastRowOnPage
setting = dw1.Describe("DataWindow.LastRowOnPage")

```

3.3.136 Left_Margin

Description

The size of the left margin of the DataWindow object.

Applies to

Style keywords

Syntax

SyntaxFromSql:

```
Style ( Left_Margin = value )
```

Table 3.160:

Parameter	Description
value	An integer specifying the size of the left margin in the units specified for the DataWindow

Examples

```
SQLCA.SyntaxFromSQL(sqlstring, &
'Style( ... LeftMargin = 500 ... )', errstring)
```

3.3.137 Legend

Description

The location of the legend in a Graph control in a DataWindow.

Applies to

Graph controls

Syntax

PowerBuilder dot notation:

```
dw_control.Object.graphname.Legend
```

Describe and Modify argument:

```
"graphname.Legend { = ' value ' }"
```

Table 3.161:

Parameter	Description
graphname	The name of the graph control for which you want to specify the location of the legend.
value	(exp) A number indicating the location of the legend of a graph. Values are: 0 -- None 1 -- Left 2 -- Right 3 -- Top 4 -- Bottom Value can be a quoted DataWindow expression.

Usage

In the painter

Select the control and set the value in the Properties view, General tab, Legend option (applicable when the graph has more than one series).

Examples

```
string setting
setting = dw1.Object.graph_1.Legend
dw1.Object.graph_1.Legend = 2
setting = dw1.Describe("graph_1.Legend")
dw1.Modify("graph_1.Legend=2")
```

```
dw1.Modify("graph_1.Legend= '2~tIf(dept_id=200,0,2) ' ")
```

3.3.138 Legend.DispAttr.fontproperty

See [DispAttr.fontproperty](#).

3.3.139 Level

Description

The grouping level.

Level is used in DataWindow syntax only for the Create method.

Applies to

Group keywords

Syntax

```
Group ( BY( colnum1, colnum2, ... ) ... Level = n ... )
```

3.3.140 LineRemove

Description

(RichText presentation style only) Whether the line of text that contains the input field for the column or computed field is removed when the input field is empty. LineRemove is similar to the SlideUp property for controls in other presentation styles.

Applies to

Column and Computed Field controls in the RichText presentation style

Syntax

PowerBuilder dot notation:

```
dw_control.Object.controlname.LineRemove
```

Describe and Modify argument:

```
"controlname.LineRemove { = ' value ' }"
```

Table 3.162:

Parameter	Description
controlname	The name of the column or computed field whose line of text you want removed when the input field is empty.
value	(exp) Whether the line of text is removed so that the rest of the text slides up when the input field for controlname is empty. Values are: <ul style="list-style-type: none"> • Yes -- The line of text will be removed when the input field is empty. • No -- The line of text will not be removed. Value can be a quoted DataWindow expression.

Examples

```
string setting
setting = dw1.Object.emp_street2.LineRemove
dw1.Object.emp_street2.LineRemove = true
setting = dw1.Describe("emp_street2.LineRemove")
dw1.Modify("emp_street2.LineRemove=yes")
```

3.3.141 LinkUpdateOptions

Description

When the OLE Object control is linked, the method for updating the link information. If the user tries to activate the OLE object and PowerBuilder cannot find the linked file, which breaks the link, LinkUpdateOptions controls whether PowerBuilder automatically displays a dialog box prompting the user to find the file. If you turn off the automatic dialog box, you can reestablish the link by calling the LinkTo or LinkUpdateDialog in code.

Applies to

OLE Object controls

Syntax

PowerBuilder dot notation:

```
dw_control.Object.olecontrolname.LinkUpdateOptions
```

Describe and Modify argument:

```
"olecontrolname.LinkUpdateOptions { = 'updatetype ' }"
```

Table 3.163:

Parameter	Description
olecontrolname	The name of the OLE Object control for which you want to get or set the link update method.
updatetype	A number specifying how broken links will be reestablished. Updatetype can be a quoted DataWindow expression. Values are: <ul style="list-style-type: none"> LinkUpdateAutomatic! LinkUpdateManual!

Usage

In the painter

Select the control and set the value in the Properties view, Options tab, Link Update option.

Examples

```
string ls_data
ls_data = dw1.Object.ole_report.LinkUpdateOptions
dw1.Object.ole_report.LinkUpdateOptions = 0
ls_data = dw1.Describe("ole_report.LinkUpdateOptions")
```



```
dw1.Modify("ole_report.LinkUpdateOptions='0'")
```

3.3.142 Message.Title

Description

The title of the dialog box that displays when an error occurs.

Applies to

DataWindows

Syntax

PowerBuilder dot notation:

```
dw_control.Object.DataWindow.Message.Title
```

Describe and Modify argument:

```
"DataWindow.Message.Title { = ' titlestring ' }"
```

SyntaxFromSql:

```
DataWindow(Message.Title = ' titlestring ' )
```

Table 3.164:

Parameter	Description
titlestring	A string containing the title for the title bar of the DataWindow dialog box that displays when an error occurs

Examples

```
setting = dw1.Object.DataWindow.Message.Title
dw1.Object.DataWindow.Message.Title = "Mistake!"
setting = dw1.Describe("DataWindow.Message.Title")
dw1.Modify("DataWindow.Message.Title='Bad, Bad, Bad'")
SQLCA.SyntaxFromSQL(sql_syntax, &
"Style(...) &
DataWindow(Message.Title='Sales Report' ...) ...", &
ls_Errors)
```

3.3.143 Moveable

Description

Whether the specified control in the DataWindow can be moved at runtime. Moveable controls should be in the DataWindow's foreground.

Applies to

Button, Column, Computed Field, Graph, GroupBox, Line, OLE, Oval, Picture, Rectangle, Report, RoundRectangle, TableBlob, and Text controls

Syntax

PowerBuilder dot notation:

```
dw_control.Object.controlname.Moveable
```

Describe and Modify argument:

```
"controlname.Moveable { = number }"
```

Table 3.165:

Parameter	Description
controlname	The control within the DataWindow for which you want to get or set the Moveable property that governs whether the user can move the control
number	A boolean number specifying whether the control is movable. Values are: 0 -- False, the control is not movable. 1 -- True, the control is movable.

Usage

In the painter

Select the control and set the value in the Properties view, Position tab.

Examples

```
string setting
setting = dw1.Object.bitmap_1.Moveable
dw1.Object.bitmap_1.Moveable = 1
setting = dw1.Describe("bitmap_1.Moveable")
dw1.Modify("bitmap_1.Moveable=1")
```

3.3.144 Multiline

Description

(RichText presentation style) Whether the column or computed field can contain multiple lines. Multiline is effective only when Width.Autosize is set to No.

Applies to

Column and Computed Field controls in the RichText presentation style

Syntax

PowerBuilder dot notation:

```
dw_control.Object.controlname.Multiline
```

Describe and Modify argument:

```
"controlname.Multiline { = ' value ' }"
```

Table 3.166:

Parameter	Description
controlname	The name of the column or computed field that will contain multiple lines.
value	(exp) Whether the input field can contain multiline lines. Values are: <ul style="list-style-type: none"> • Yes -- The input field can contain multiple lines.

Parameter	Description
	<ul style="list-style-type: none"> No -- The input field cannot contain multiple lines. <p>Value can be a quoted DataWindow expression.</p>

Usage

In the painter

Select the control and set the value in the Properties view, Input Field or Compute tab, MultiLine option.

To display the property sheet, click the input field (column or computed field) to select it. Then right-click and select Properties from the pop-up menu.

Examples

```
string setting
setting = dw1.Object.emp_street2.Multiline
dw1.Object.emp_street2.Multiline = true
setting = dw1.Describe("emp_street2.Multiline")
dw1.Modify("emp_street2.Multiline=yes")
```

3.3.145 Name

Description

The name of the control.

Applies to

Button, Column, Computed Field, Graph, GroupBox, InkPicture, Line, OLE, Oval, Picture, Rectangle, Report, RoundRectangle, TableBlob, and Text controls

Syntax

PowerBuilder dot notation:

```
dw_control.Object.controlname.Name
```

Describe argument:

```
"controlname.Name"
```

Table 3.167:

Parameter	Description
controlname	The control for which you want the name. For columns, you can specify the column number preceded by #.

Usage

In the painter

Select the control and set the value in the Properties view, General tab, Name option.

Examples

```
setting = dw1.Object.#4.Name
setting = dw1.Describe("#4.Name")
```

3.3.146 Nest_Arguments

Description

The values for the retrieval arguments of a nested report. The number of values in the list should match the number of retrieval arguments defined for the nested report.

Applies to

Report controls

Syntax

PowerBuilder dot notation:

```
dw_control.Object.reportname.Nest_Arguments
```

Describe and Modify argument:

```
"reportname.Nest_Arguments { = list } "
```

Table 3.168:

Parameter	Description
reportname	The name of the nested report for which you want to supply retrieval argument values.
list	A list of values for the retrieval arguments of the nested report. The format for the list is: <pre>(("arg1") {,("arg2") {,("arg3") {, ... } } })</pre>

Usage

The list is not a quoted string. It is surrounded by parentheses, and each argument value within the list is parenthesized, surrounded with double quotes, and separated by commas. If an argument is a literal string, use single quotes within the double quotes.

When changing the values for the retrieval arguments, you must supply values for all the retrieval arguments defined for the report. If you specify fewer or more arguments, an error will occur at runtime when the DataWindow retrieves its data.

To remove the report's retrieval arguments, specify empty parentheses. If no arguments are specified, the user is prompted for the values at runtime.

In the painter

Select the control and set the value in the Properties view, General tab.

Examples

```
setting = dw1.Object.rpt_1.Nest_Arguments
dw1.Object.rpt_1.Nest_Arguments = &
"((~"cust_id~"), (~"Eastern'~"))"
setting = dw1.Describe("rpt_1.Nest_Arguments")
dw1.Modify("rpt_1.Nest_Arguments" "=((~"cust_id~"), (~"Eastern'~"))")
dw1.Modify("rpt_1.Nest_Arguments=()")
```

3.3.147 Nested

Description

Whether the DataWindow contains nested DataWindows. Values returned are Yes or No.

Applies to

DataWindows

Syntax

PowerBuilder dot notation:

```
dw_control.Object.DataWindow.Nested
```

Describe argument:

```
"DataWindow.Nested"
```

Examples

```
string setting  
setting = dw1.Object.DataWindow.Nested  
setting = dw1.Describe("DataWindow.Nested")
```

3.3.148 NewPage (Group keywords)

Description

Whether a change in the value of a group column causes a page break.

Applies to

Group keywords

Syntax

SyntaxFromSql:

```
Group ( colnum1, colnum2 NewPage )
```

Examples

```
SQLCA.SyntaxFromSQL(sql_syntax, &  
"Style(Type=Group) " + &  
"Group(#3 NewPage ResetPageCount)", &  
ls_Errors)
```

3.3.149 NewPage (Report controls)

Description

Whether a nested report starts on a new page. NewPage applies only to reports in a composite DataWindow. Note that if the Trail_Footer property of the preceding report is set to No, the current report will be forced to begin on a new page regardless of the NewPage value.

Applies to

Report controls

Syntax

PowerBuilder dot notation:

```
dw_control.Object.reportname.NewPage
```

Describe and Modify argument:

```
"reportname.NewPage { = value } "
```

Table 3.169:

Parameter	Description
reportname	The name of the report control for which you want to get or set the NewPage property.
value	Whether the report begins a new page. Values are: Yes -- Start the report on a new page. No -- Do not start the report on a new page.

Usage

In the painter

Select the Report control in the Composite presentation style and set the value in the Properties view, General tab, New Page check box.

Examples

```
string newpage_setting
newpage_setting = dw1.Object.rpt_1.NewPage
dw1.Object.rpt_1.NewPage = "Yes"
newpage_setting = dw1.Describe("rpt_1.NewPage")
dw1.Modify("rpt_1.NewPage=Yes")
```

3.3.150 NoUserPrompt

Description

Determines whether message boxes are displayed to the user during DataWindow processing.

Applies to

DataWindows

Syntax

PowerBuilder dot notation:

```
dw_control.Object.DataWindow.NoUserPrompt
```

Describe and Modify argument:

```
"DataWindow.NoUserPrompt { = ' value ' }"
```

Table 3.170:

Parameter	Description
value	A string specifying whether any message box requiring user intervention displays during DataWindow processing. Values are: Yes -- No message box displays.

Parameter	Description
	No -- (Default) Message boxes display when invoked during DataWindow processing.

Usage

Set the NoUserPrompt property to yes if the DataWindow is to be used in a batch process when there is no possibility of end-user intervention. Dialog boxes you can prevent from displaying include the Error, Print, Retrieve, CrossTab, Expression, SaveAs, Import, Query, RichText, Filter, and Sort dialog boxes.

Examples

```
dw1.Object.DataWindow.NoUserPrompt = "yes"
dw1.Modify("DataWindow.NoUserPrompt=no")
```

3.3.151 Objects

Description

A list of the controls in the DataWindow object. The names are returned as a tab-separated list.

Applies to

DataWindows

Syntax

PowerBuilder dot notation:

```
dw_control.Object.DataWindow.Objects
```

Describe argument:

```
"DataWindow.Objects"
```

Examples

```
setting = dw1.Describe("DataWindow.Objects")
```

3.3.152 OLE.Client.property

Description

Settings that some OLE server applications use to identify the client's information. The property values can be used to construct the title of the server window.

Applies to

DataWindows

Syntax

PowerBuilder dot notation:

```
dw_control.Object.DataWindow.OLE.Client.property
```

Describe and Modify argument:

```
"DataWindow.OLE.Client.property { = ' value ' }"
```

Table 3.171:

Parameter	Description
property	An OLE client property, as shown in the table below.
value	Values for the properties are shown in the table below. Value cannot be a DataWindow expression.

Table 3.172:

Property for OLE.Client	Value
Class	The client class for the DataWindow. The default is DataWindow.
Name	The client name for the DataWindow. The default is Untitled.

Usage

In the painter

Select the control and set the value in the Properties view, Definition tab.

Examples

```
ls_data = dw1.Object.DataWindow.OLE.Client.Class
dw1.Object.DataWindow.OLE.Client.Class = "PB"
ls_data = dw1.Describe("DataWindow.OLE.Client.Class")
dw1.Modify("DataWindow.OLE.Client.Class = 'PB'")
```

3.3.153 OLEClass

Description

The name of the OLE class for the TableBlob control.

Applies to

TableBlob controls

Syntax

PowerBuilder dot notation:

```
dw_control.Object.tblobname.OLEClass
```

Describe and Modify argument:

```
"tbodyname.OLEClass { = 'oleclassname ' }"
```

Table 3.173:

Parameter	Description
tbodyname	The TableBlob column for which you want to get or set the class of server application.

Parameter	Description
oleclassname	(exp) A string specifying a class of an OLE server application installed on your system. Oleclassname is quoted and can be a DataWindow expression.

Usage

In the painter

Select the control and set the value in the Properties view, Definition tab, OLE Class: Description option.

Examples

```
setting = dw1.Object.blob_1.OLEClass
dw1.Object.blob_1.OLEClass = 'Word.Document'
setting = dw1.Describe("blob_1.OLEClass")
dw1.Modify("blob_1.OLEClass='Word.Document'")
```

3.3.154 OriginalSize

Description

The property specifies whether the width and height of the picture are set to their original values.

Applies to

Button and Bitmap controls

Syntax

PowerBuilder dot notation:

```
dw_control.Object.controlname.OriginalSize
```

Describe and Modify argument:

```
"controlname.OriginalSize { = 'value' } "
```

Table 3.174:

Parameter	Description
controlname	The control for which you want to set the value.
value	A string specifying whether the control's image is set to its original size. Values are: True -- The image displays at its original size. False -- The image height and width can be set to other measurements.

Usage

In the painter

Select the control and then set the value in the Properties view, General tab, Original Size check box.

In scripts

The OriginalSize property takes a boolean value. The following line sets the OriginalSize property to false:

```
dw_1.Object.p_empphoto.originalsize="false"
```

You should not try to change the width or height of a picture control when OriginalSize is set to true, because it can lead to unexpected behavior.

Examples

```
dw_1.Modify("p_empphoto.originalsize='true'")
dw_1.Modify("p_product.originalsize='false'")
dw_1.Modify("p_product.height='250'")
dw_1.Modify("p_product.width='250'")
```

3.3.155 OverlapPercent

Description

The percentage of overlap for the data markers (such as bars or columns) in different series in a graph.

Applies to

Graph controls

Syntax

PowerBuilder dot notation:

```
dw_control.Object.graphname.OverlapPercent
```

Describe and Modify argument:

```
"graphname.OverlapPercent { = ' integer ' }"
```

Table 3.175:

Parameter	Description
graphname	The name of the graph control in the DataWindow object for which you want to get or set the percentage of overlap.
integer	(exp) An integer specifying the percent of the width of the data markers that will overlap. Integer can be a quoted DataWindow expression.

Usage

In the painter

Select the control and set the value in the Properties view, General tab, OverlapPercent option (applicable when a series has been specified).

Examples

```
string setting
setting = dw1.Object.graph_1.OverlapPercent
dw1.Object.graph_1.OverlapPercent = 25
setting = dw1.Describe("graph_1.OverlapPercent")
```

```
dw1.Modify("graph_1.OverlapPercent=25")
```

3.3.156 Pen.property

Description

Settings for a line or the outline of a control.

Applies to

Line, Oval, Rectangle, and RoundedRectangle controls

Syntax

PowerBuilder dot notation:

```
dw_control.Object.controlname.Pen.property
```

Describe and Modify argument:

```
"controlname.Pen.property { = value }"
```

Table 3.176:

Parameter	Description
controlname	The name of the control whose Pen property you want to get or set.
property	A property that applies to the Pen characteristics of controlname, as listed in the table below.
value	The value of the property, as shown in the table below. Value can be a quoted DataWindow expression.

Table 3.177:

Property for Pen	Value
Color	(exp) A long specifying the color (the red, green, and blue values) to be used as the control's line color. Painter: Pen Color option.
Style	(exp) A number specifying the style of the line. Values are: 0 -- Solid 1 -- Dash 2 -- Dotted 3 -- Dash-dot pattern 4 -- Dash-dot-dot pattern 5 -- Null (no visible line) Painter: Pen Style option.

Property for Pen	Value
Width	(exp) A number specifying the width of the line in the unit of measure specified for the DataWindow. Painter: Pen Width option (not available when Style is a value other than Solid).

Usage

In the painter

Select the control and set values in the Properties view, General tab.

Examples

```
string setting
setting = dw1.Object.line_1.Pen.Width
dw1.Object.line_1.Pen.Width = 10
setting = dw1.Describe("line_1.Pen.Width")
dw1.Modify("line_1.Pen.Width=10")
```

3.3.157 Perspective

Description

The distance from the front of the window at which the graph appears.

Applies to

Graph controls

Syntax

PowerBuilder dot notation:

```
dw_control.Object.graphname.Perspective
```

Describe and Modify argument:

```
"graphname.Perspective { = ' integer ' }"
```

Table 3.178:

Parameter	Description
graphname	The name of the graph control in the DataWindow object for which you want to get or set the perspective.
integer	(exp) An integer between 1 and 100 specifying how far away the graph appears. The larger the number, the greater the distance and the smaller the graph appears. Integer can be a quoted DataWindow expression.

Usage

In the painter

Select the control and set the value in the Properties view, General tab, Perspective scroll bar (available when a 3D graph type is selected).

Examples

```
string setting
setting = dw1.Object.graph_1.Perspective
dw1.Object.graph_1.Perspective = 20
setting = dw1.Describe("graph_1.Perspective")
dw1.Modify("graph_1.Perspective=20")
```

3.3.158 Picture.property

Description

Settings that control the background picture displayed in a DataWindow object. Picture properties are not supported in RichText, Graph, or OLE DataWindow presentation styles.

Applies to

DataWindows

Syntax

PowerBuilder dot notation:

```
dw_control.Object.datawindow.picture.property
```

Describe and Modify argument:

```
"DataWindow.picture.property { = value }"
```

Table 3.179:

Parameter	Description
property	A property for the picture background. Properties and their settings are listed in the table that follows. Picture properties are used only when the datawindow.brushmode value is 6. These properties are not available for RichText, Graph, or OLE DataWindow objects.
value	The value to be assigned to the property. For picture properties, value can be a quoted DataWindow expression.

Table 3.180:

Property for Picture	Value
Clip.Bottom	An integer specifying the percentage to clip from the bottom edge of the background picture. Painter: Background tab, Picture group.
Clip.Left	An integer specifying the percentage to clip from the left edge of the background picture. Painter: Background tab, Picture group.
Clip.Right	An integer specifying the percentage to clip from the right edge of the background picture. Painter: Background tab, Picture group.

Property for Picture	Value
Clip.Top	<p>An integer specifying the percentage to clip from the top edge of the background picture.</p> <p>Painter: Background tab, Picture group.</p>
File	<p>Painter: Background tab, Picture group.</p> <p>A string indicating the pathname for the picture file to be used for the DataWindow background. Supported formats are BMP, GIF, JPEG, RLE, WMF, and PNG.</p>
Mode	<p>An integer indicating the orientation and size of the background picture, and whether it is tiled. Tiling also depends on the Scale.X and Scale.Y values.</p> <p>Values are:</p> <ul style="list-style-type: none"> 0 -- Original Size 1 -- Fit to Width 2 -- Fit to Height 3 -- Preserve Aspect Ratio/Max to Rect 4 -- Stretch to Fit 5 -- Tile 6 -- Flip X 7 -- Flip Y 8 -- Flip XY <p>Painter: Background tab, Picture group.</p>
Scale.X	<p>An integer from 0 to 100 that indicates the horizontal size of the bitmap in relation to the horizontal size of the DataWindow object. If you set the Scale.X and Scale.Y properties to 100, the background picture will cover the entire DataWindow object. This property is used only when picture.tilemode is set to 5, 6, 7, or 8.</p> <p>Painter: Background tab, Picture group.</p>
Scale.Y	<p>An integer from 0 to 100 that indicates the vertical size of the bitmap in relation to the vertical size of the DataWindow object. If you set the Scale.X and Scale.Y properties to 100, the background picture will cover the entire DataWindow object. This property is used only when picture.tilemode is set to 5, 6, 7, or 8.</p> <p>Painter: Background tab, Picture group.</p>
Tranparency	<p>An integer in the range 0 to 100, where 0 means that the background bitmap is opaque and 100 that it is completely transparent.</p> <p>Painter: Background tab, Picture group.</p>

Usage

In the painter

Select the DataWindow object and set the value on the Background tab of the Properties view.

If you save to an EMF or WMF, the properties on the Background tab are not saved with the DataWindow.

This table explains the values for Picture.Mode:

Table 3.181:

Value	Description
0 - Original Size	The image is centered and not tiled to fit the DataWindow.
1 - Fit to Width	The image is stretched or compressed (depending on the aspect ratio) until its width matches that of the DataWindow control.
2 - Fit to Height	The image is stretch or compressed (depending on the the aspect ratio) until its height matches that of the DataWindow control.
3 - Preserve Aspect Ratio/Max to Rect	The image is stretched or compressed (without distortion) until its width or height matches that of the DataWindow control without either of them exceeding the bounds of the DataWindow control.
4 - Stretch to Fit	The image is stretched to fill the DataWindow control, without preserving the aspect ratio.
5 - Tile	The image is tiled to fill the DataWindow. The number of repetitions will be affected by the values of picture.scale.x, picture.scale.y, and the picture.clip properties.
6 - Flip X	The image is used to fill the DataWindow by tiling and then it is flipped horizontally as you move from one tile to the next in a row. The number of repetitions will be affected by the values of picture.scale.x, picture.scale.y, and the picture.clip properties.
7 - Flip Y	The image is used to fill the DataWindow by tiling and then it is flipped vertically as you move from one tile to the next in a column. The number of repetitions will be affected by the values of picture.scale.x, picture.scale.y, and the picture.clip properties.
8 - Flip XY	The image is used to fill the DataWindow by tiling and then it is flipped horizontally as you move along the rows and vertically as you move along the columns. The number of repetitions will be affected by the values of picture.scale.x, picture.scale.y, and the picture.clip properties.

Examples

```
dw_1.Modify("datawindow.brushmode=6")
dw_1.Object.datawindow.picture.File="MyPic.bmp"
```

3.3.159 Pie.DispAttr.fontproperty

See [DispAttr.fontproperty](#).

3.3.160 PlotNullData

Description

Whether a continuous line is drawn between tics in a line graph when there is no data on the X and Y axes.

Applies to

Graph controls, Graph DataWindow objects

Syntax

PowerBuilder dot notation:

```
dw_control.Object.graphname.PlotNullData
```

Describe and Modify argument:

```
"graphname.PlotNullData { = ' value ' }"
```

Table 3.182:

Parameter	Description
graphname	The name of the graph control in the DataWindow object for which you want to get or set the perspective.
value	A boolean number indicating whether a continuous line is drawn between tics in a line graph when there is no data. Values are: 0 -- (False) The line is broken when there is no data. 1 -- (True) The line is continuous.

Usage

In the painter

Set the value in the Properties view, General tab, PlotNullData check box (available when a line graph type is selected).

Examples

```
string setting
setting = dw1.Object.graph_1.PlotNullData
dw1.Object.graph_1.PlotNullData = 1
setting = dw1.Describe("graph_1.PlotNullData")
dw1.Modify("graph_1.PlotNullData=1")
```

3.3.161 Pointer

Description

The image to be used for the mouse pointer when the pointer is over the specified control. If you specify a pointer for the whole DataWindow, PowerBuilder uses that pointer except when the pointer is over a control that also has a Pointer setting.

Applies to

DataWindow, Button, Column, Computed Field, Graph, GroupBox, Line, OLE, Oval, Picture, Rectangle, Report, RoundRectangle, TableBlob, and Text controls

Syntax

PowerBuilder dot notation:

```
dw_control.Object.controlname.Pointer
```

Describe and Modify argument:

```
"controlname.Pointer { = 'pointername ' }"
```

Table 3.183:

Parameter	Description
controlname	The name of the control in the DataWindow for which you want to get or set the pointer. Specify DataWindow to specify the pointer for the whole DataWindow.
pointername	(exp) A string specifying a value of the Pointer enumerated datatype or the name of a cursor file (.CUR) to be used for the pointer. (See Section 2.4.752, "SetPointer" in <i>PowerScript Reference</i> for a list of Pointer values.) Pointername can be a quoted DataWindow expression.

Usage**In the painter**

Select the control and set the value in the Properties view, Pointer tab.

Examples

```
setting = dw1.Object.graph_1.Pointer
dw1.Object.graph_1.Pointer = 'Cross!'
setting = dw1.Describe("graph_1.Pointer")
dw1.Modify("graph_1.Pointer = 'Cross!'")
dw1.Modify("graph_1.Pointer = 'c:\pb040\mycurs.cur'")
```

3.3.162 Print.Preview.property**Description**

Properties that control the print preview of a DataWindow.

Applies to

DataWindows

Syntax

PowerBuilder dot notation:

```
dw_control.Object.DataWindow.Print.Preview.property
```

Describe and Modify argument:

```
"DataWindow.Print.Preview.property { = value }"
```

SyntaxFromSql:

```
DataWindow ( Print.Preview.property = value )
```

Table 3.184:

Parameter	Description
property	A property for print preview. Properties and their settings are listed in the table below.
value	The value to be assigned to the property. Value cannot be a DataWindow expression.

Table 3.185:

Property for Print.Preview	Value
Buttons	Whether buttons display in print preview. Values are: Yes -- Buttons are displayed. No -- (Default) Buttons are not displayed. Painter: Display Buttons - Print Preview.
Outline	Whether a blue line displays to show the location of the margins. Values are: Yes -- (Default) Margin outline is displayed. No -- Margin outline is not displayed. Painter: Print Preview Shows Outline
Rulers	Whether the rulers display when the DataWindow object displays in preview mode. Values are: Yes -- Display the rulers. No -- (Default) Do not display the rulers. You can view rulers in Preview mode in the DataWindow painter. With the Preview view selected, select File>Print Preview, then File>Print Preview Rulers. However, the setting is not used at runtime. To see rulers at runtime, set Print.Preview.Rulers in code.
Zoom	An integer indicating the zoom factor of the print preview. The default is 100%. You can view different zoom percentages in Preview mode in the DataWindow painter. With the Preview view selected, select File>Print Preview, then File>Print Preview Zoom. However, the setting is not used at

Property for Print.Preview	Value
	runtime. To change the zoom factor at runtime, set Print.Preview.Zoom in code.

Usage

In the painter

Select the DataWindow by deselecting all controls; then set values in the Properties view, Print Specifications tab.

Examples

```
dw1.Object.DataWindow.Print.Preview.Buttons = 'Yes'
setting = dw1.Describe ("DataWindow.Print.Preview.Buttons")
dw1.Modify("DataWindow.Print.Preview.Buttons = 'Yes'")
dw1.Object.DataWindow.Print.Preview.Rulers = 'Yes'
setting = dw1.Describe ("DataWindow.Print.Preview.Rulers")
dw1.Modify("DataWindow.Print.Preview.Rulers = 'Yes'")
```

See also

[Print.property](#)

3.3.163 Print.property

Description

Properties that control the printing of a DataWindow.

Applies to

DataWindows

Syntax

PowerBuilder dot notation:

```
dw_control.Object.DataWindow.Print.property
```

Describe and Modify argument:

```
"DataWindow.Print.property { = value }"
```

SyntaxFromSql:

```
DataWindow ( Print.property = value )
```

Table 3.186:

Parameter	Description
property	A property for printing. Properties and their settings are listed in the table below.
value	The value to be assigned to the property. Value cannot be a DataWindow expression.

Table 3.187:

Property for Print	Value
Background	<p>Whether the background settings of the DataWindow and controls display on the printed report.</p> <p>Values are:</p> <p>Yes -- Display background on report. This feature is not supported when you use a picture as the DataWindow background.</p> <p>No -- (Default) Do not display background on report.</p> <p>Painter: Print Shows Background option.</p>
Buttons	<p>Whether buttons display on the printed output.</p> <p>Values are:</p> <p>Yes -- Buttons are displayed.</p> <p>No -- Buttons are not displayed.</p> <p>Painter: Display Buttons - Print.</p>
CanUseDefaultPrinter	<p>Whether a report can be printed on the default system printer if the printer specified by the PrinterName property is not valid.</p> <p>Painter: Can Use Default Printer option.</p>
ClipText	<p>Whether the text of a static text field on a printed page is clipped to the dimensions of the text field when the text field has no visible border setting.</p> <p>Values are:</p> <p>Yes -- The printed text does not overrun the text field.</p> <p>No -- (Default) The entire text can overrun the text field.</p> <p>Text is automatically clipped for text fields with visible border settings even if this property is not set.</p> <p>Painter: Clip Text option.</p>
Collate	<p>Whether printing is collated. Note that collating is usually slower since the print is repeated to produce collated sets.</p> <p>Values are:</p> <p>Yes -- (Default) Collate the pages of the print job.</p> <p>No -- Do not collate.</p> <p>Painter: Collate Copies option.</p>
Color	<p>An integer indicating whether the printed output will be color or monochrome.</p> <p>Values are:</p> <p>1 -- Color</p> <p>2 -- Monochrome</p>

Property for Print	Value
	The user can specify the value in the system's Print dialog box if the printer driver supports it.
Columns	An integer specifying the number of newspaper-style columns the DataWindow will print on a page. For purposes of page fitting, the whole DataWindow is a single column. The default is 1. Painter: Newspaper Columns Across option.
Columns.Width	An integer specifying the width of the newspaper-style columns in the units specified for the DataWindow. Painter: Newspaper Columns Width option.
Copies	An integer indicating the number of copies to be printed. The user can also specify this value in the system's Print Setup dialog box if the printer driver supports it. If you use both the Print.Copies property and the Print Setup dialog box to indicate that multiple copies should be printed, the total number of copies printed is the product of the two values.
CustomPage.Length	An integer indicating the desired length of a custom paper size for printing. Use this property in conjunction with Print.CustomPage.Width and with Paper.Size set to 256.
CustomPage.Width	An integer indicating the desired width of a custom paper size for printing. Use this property in conjunction with Print.CustomPage.Length and with Paper.Size set to 256.
DocumentName	A string containing the name that will display in the print queue when the user sends the contents of the DataWindow object to the printer. Painter: Document Name option.
Duplex	An integer indicating duplex or double-sided printing for printers capable of duplex printing. Values are: 0 -- Default 1 -- Normal (nonduplex) printing 2 -- Short-edge binding (the long edge of the page is horizontal) 3 -- Long-edge binding (the long edge of the page is vertical) The user can specify the value in the system's Print dialog box if the printer driver supports it.
Filename	A string containing the name of the file to which you want to print the report. An empty string means send to the printer. Painter: Cannot be set in painter.
Margin.Bottom	An integer indicating the width of the bottom margin on the printed page in the units specified for the DataWindow.

Property for Print	Value
	<p>You can set Margin.Bottom when using SyntaxFromSql to generate DataWindow syntax.</p> <p>Painter: Bottom Margin option.</p>
Margin.Left	<p>An integer indicating the width of the left margin on the printed page in the units specified for the DataWindow.</p> <p>You can set Margin.Left when using SyntaxFromSql to generate DataWindow syntax.</p> <p>Painter: Left Margin option.</p>
Margin.Right	<p>An integer indicating the width of the right margin on the printed page in the units specified for the DataWindow.</p> <p>You can set Margin.Right when using SyntaxFromSql to generate DataWindow syntax.</p> <p>Painter: Right Margin option.</p>
Margin.Top	<p>An integer indicating the width of the top margin on the printed page in the units specified for the DataWindow.</p> <p>You can set Margin.Top when using SyntaxFromSql to generate DataWindow syntax.</p> <p>Painter: Top Margin option.</p>
Orientation	<p>An integer indicating the print orientation. This property has no effect if the computer has no default printer.</p> <p>Values are:</p> <ul style="list-style-type: none"> 0 -- The default orientation for your printer 1 -- Landscape 2 -- Portrait <p>Painter: Paper Orientation option.</p>
OverridePrintJob	<p>Whether you want to override the print job print settings defined in the PrintOpen method with the print specifications of the DataWindow.</p> <p>Values are:</p> <ul style="list-style-type: none"> Yes -- Override the print job print settings. No -- (Default) Do not override the print job print settings. <p>Painter: Override Print Job option.</p>
Page.Range	<p>A string containing the numbers of the pages you want to print, separated by commas. You can also specify a range with a dash. For example, to print pages 1, 2, and 5 through 10, enter: "1,2, 5-10". The empty string means print all.</p> <p>The user can specify the value in the system's Print dialog box if the printer driver supports it.</p>

Property for Print	Value
Page.RangeIn	<p>An integer indicating what pages to print within the desired range.</p> <p>Values are:</p> <p>0 -- Print all.</p> <p>1 -- Print all even pages.</p> <p>2 -- Print all odd pages.</p> <p>The user can specify the value in the system's Print dialog box if the printer driver supports it.</p>
Paper.Size	<p>An integer indicating the size of the paper used for the output:</p> <p>0 -- Default paper size for the printer</p> <p>1 -- Letter 8 1/2 x 11 in</p> <p>2 -- LetterSmall 8 1/2 x 11 in</p> <p>3 -- Tabloid 17 x 11 in</p> <p>4 -- Ledger 17 x 11 in</p> <p>5 -- Legal 8 1/2 x 14 in</p> <p>6 -- Statement 5 1/2 x 8 1/2 in</p> <p>7 -- Executive 7 1/4 x 10 1/2 in</p> <p>8 -- A3 297 x 420 mm</p> <p>9 -- A4 210 x 297 mm</p> <p>10 -- A4 Small 210 x 297 mm</p> <p>11 -- A5 148 x 210 mm</p> <p>12 -- B4 250 x 354 mm</p> <p>13 -- B5 182 x 257 mm</p> <p>14 -- Folio 8 1/2 x 13 in</p> <p>15 -- Quarto 215 x 275 mm</p> <p>16 -- 10x14 in</p> <p>17 -- 11x17 in</p> <p>18 -- Note 8 1/2 x 11 in</p> <p>19 -- Envelope #9 3 7/8 x 8 7/8</p> <p>20 -- Envelope #10 4 1/8 x 9 1/2</p> <p>21 -- Envelope #11 4 1/2 x 10 3/8</p> <p>22 -- Envelope #12 4 x 11 1/2</p> <p>23 -- Envelope #14 5 x 11 1/2</p> <p>24 -- C size sheet</p>

Property for Print	Value
	<p>25 -- D size sheet</p> <p>26 -- E size sheet</p> <p>27 -- Envelope DL 110 x 220 mm</p> <p>28 -- Envelope C5 162 x 229 mm</p> <p>29 -- Envelope C3 324 x 458 mm</p> <p>30 -- Envelope C4 229 x 324 mm</p> <p>31 -- Envelope C6 114 x 162 mm</p> <p>32 -- Envelope C65 114 x 229 mm</p> <p>33 -- Envelope B4 250 x 353 mm</p> <p>34 -- Envelope B5 176 x 250 mm</p> <p>35 -- Envelope B6 176 x 125 mm</p> <p>36 -- Envelope 110 x 230 mm</p> <p>37 -- Envelope Monarch 3.875 x 7.5 in</p> <p>38 -- 6 3/4 Envelope 3 5/8 x 6 1/2 in</p> <p>39 -- US Std Fanfold 14 7/8 x 11 in</p> <p>40 -- German Std Fanfold 8 1/2 x 12 in</p> <p>41 -- German Legal Fanfold 8 1/2 x 13 in</p> <p>255, 256 -- User-defined paper size (see "Usage" below)</p> <p>Painter: Paper Size option.</p>
Paper.Source	<p>An integer indicating the bin that will be used as the paper source. The integer you use depends on the tray number used by the printer. (To determine the actual bin setting, you can query the printer with a utility that makes API calls to the printer driver.)</p> <p>Typical values are:</p> <p>0 -- Default</p> <p>1 -- Upper</p> <p>2 -- Lower</p> <p>3 -- Middle</p> <p>4 -- Manual</p> <p>5 -- Envelope</p> <p>6 -- Envelope manual</p> <p>7 -- Auto</p> <p>8 -- Tractor</p>

Property for Print	Value
	9 -- Smallfmt 10 -- Largefmt 11 -- Large capacity 14 -- Cassette Painter: Paper Source option.
Preview	Whether the DataWindow object is displayed in preview mode. Values are: Yes -- Display in preview mode. No -- (Default) Do not display in preview mode.
Preview.Background	Whether the background settings of the DataWindow and controls display in the print preview. Values are: Yes -- Display in preview mode. No -- (Default) Do not display in preview mode. Painter: Preview Shows Background option.
PrinterName	A string containing the name of the printer you want to use to print the DataWindow report. If the printer name is not specified or if the named printer cannot be found at runtime, print output can be directed to the default printer for the user's machine by setting the CanUseDefaultPrinter property. Otherwise, an error is returned. Painter: Printer Name option.
Prompt	Whether a Printer Setup dialog displays before a job prints so the user can change the paper or other settings for the current printer. Values are: Yes -- (Default) Display a Printer Setup dialog. No -- Do not display a Printer Setup dialog. Choosing Cancel in the Printer Setup dialog dismisses the Setup dialog; it does not cancel printing. To allow the user to cancel printing, see the Print method. For DataStores, this property is ignored; a dialog is never displayed. Painter: Prompt Before Printing check box.
Quality	An integer indicating the quality of the output. Values are: 0 -- Default 1 -- High

Property for Print	Value
	2 -- Medium 3 -- Low 4 -- Draft The user can specify the value in the system's Print dialog box if the printer driver supports it.
Scale	An integer specifying the scale of the printed output as a percent. The scaling percentage is passed to the print driver. If you have problems with scaling, you might be using a driver that does not support scaling. The user can specify the value in the system's Print dialog box if the printer driver supports it. For more information, see your print driver documentation.

Usage

In the painter

Select the DataWindow by deselecting all controls; then set values in the Properties view, Print Specifications tab.

To specify a user-defined paper size, set the Paper.Size property to 255 or 256, then set the Print.CustomPage.Length and Print.CustomPage.Width properties to the desired size. With Paper.Size set to 255, Length and Width are in the units specified for the DataWindow on the General page in the Properties view. For example:

```
// DataWindow Units set to 1/1000 inch
dw1.Modify("DataWindow.Print.Paper.Size=255")
//9.875 inches long
dw1.Modify("DataWindow.Print.CustomPage.Length=9875")
//7.375 inches wide
dw1.Modify("DataWindow.Print.CustomPage.Width=7375")
```

With Paper.Size set to 256, Length and Width are in millimeters:

```
dw1.Modify("DataWindow.Print.Paper.Size=256")
//25.4 centimeters long
dw1.Modify("DataWindow.Print.CustomPage.Length=254")
//19.5 centimeters wide
dw1.Modify("DataWindow.Print.CustomPage.Width=195")
```

Examples

```
strData = dw1.Object.DataWindow.Print.Scale
dw1.Object.DataWindow.Print.Paper.Size = 3
strData = dw1.Describe("DataWindow.Print.Scale")
dw1.Modify("DataWindow.Print.Paper.Size = 3")
dw1.Modify("DataWindow.Print.Margin.Top=500")
dw1.Object.DataWindow.Print.Buttons = 'Yes'
setting = dw1.Describe("DataWindow.Print.Buttons")
dw1.Modify("DataWindow.Print.Buttons = 'Yes'")
```

See also

[Print.Preview.property](#)

3.3.164 Printer

Description

The name of the printer for printing the DataWindow as specified in the system's printer selection dialog box.

Applies to

DataWindows

Syntax

PowerBuilder dot notation:

```
dw_control.Object.DataWindow.Printer = "printername"
```

Describe and Modify argument:

```
"DataWindow.Printer" { = printername }
```

Table 3.188:

Parameter	Description
printername	Name of the printer you want to use for your DataWindow

Usage

The printer you select for a DataWindow does not affect the PowerBuilder default printer or the system default printer. To specify a network-connected printer, you must use a fully specified network printer name:

```
dw1.Object.DataWindow.Printer = "\\net-print\pr-6"
```

If you specify a DataWindow printer, but the printer is not found, the DataWindow engine does not attempt to print to a default device.

Examples

The following example changes the DataWindow printer (but does not affect the system default printer device):

```
dw1.Modify ('DataWindow.Printer="My LaserJet 3"')
```

You can display the DataWindow printer with either of the following calls:

```
string ls_dwprinter
ls_dwprinter = dw1.Object.DataWindow.Printer
ls_dwprinter = dw1.Describe("DataWindow.Printer")
```

3.3.165 Processing

Description

The type of processing required to display the data in the selected presentation style.

Applies to

DataWindows

Syntax

PowerBuilder dot notation:

```
dw_control.Object.DataWindow.Processing
```

Describe argument:

```
"DataWindow.Processing"
```

Return values are:

0 -- (Default) Form, group, n-up, or tabular

1 -- Grid

2 -- Label

3 -- Graph

4 -- Crosstab

5 -- Composite

6 -- OLE

7 -- RichText

8 -- TreeView

9 -- TreeView with Grid

Examples

```
string setting
setting = dw1.Object.DataWindow.Processing
setting = dw1.Describe("DataWindow.Processing")
```

3.3.166 Protect**Description**

The protection setting of a column. The Protect property overrides tab order settings. When a column is protected, the user cannot edit it even if the column's tab order is greater than 0.

Applies to

A column

Syntax

PowerBuilder dot notation:

```
dw_control.Object.columnname.Protect
```

Describe and Modify argument:

```
"columnname.Protect { = ' integer ' }"
```

Table 3.189:

Parameter	Description
columnname	The name of the column for which you want to get or set the protection.
integer	(exp) A boolean integer specifying whether the column is protected.

Parameter	Description
	Values are: 0 -- False, the column is not protected. 1 -- True, the column is protected. Integer can be a quoted DataWindow expression.

Usage

A user cannot change a column value if any one of these conditions is true:

- TabSequence is 0
- Edit.DisplayOnly is Yes when the column has the Edit edit style
- Protect is 1

Only the Protect property allows you to specify a conditional expression that protects some values in the column but not others.

In the painter

Select the control and set the value in the Properties view, General tab (using a conditional expression).

Examples

```
string setting
setting = dw1.Object.emp_stat.Protect
dw1.Object.emp_stat.Protect=1
setting = dw1.Describe("emp_stat.Protect")
dw1.Modify("emp_stat.Protect=1")
dw1.Modify("emp_stat.Protect='1~tIf(IsRowNew(),0,1)'" )
```

3.3.167 QueryClear

Description

Removes the WHERE clause from a query. Note that the only valid setting is Yes.

Applies to

DataWindows

Syntax

PowerBuilder dot notation:

```
dw_control.Object.DataWindow.QueryClear
```

Modify argument:

```
"DataWindow.QueryClear { = value }"
```

Table 3.190:

Parameter	Description
value	Remove the WHERE clause from a query.

Parameter	Description
	Yes is the only valid value.

Examples

```
dw1.Object.DataWindow.QueryClear = "yes"
dw1.Modify("DataWindow.QueryClear=yes")
```

3.3.168 QueryMode

Description

Whether the DataWindow is in query mode. In query mode, the user can specify the desired data by entering WHERE criteria in one or more columns.

DataWindow presentation styles

You cannot use QueryMode with DataWindow objects that use any of the following presentation styles: N-Up, Label, Crosstab, RichText, and Graph.

Applies to

DataWindows

Syntax

PowerBuilder dot notation:

```
dw_control.Object.DataWindow.QueryMode
```

Describe and Modify argument:

```
"DataWindow.QueryMode { = value }"
```

Table 3.191:

Parameter	Description
value	Whether the DataWindow is in query mode. Values are: yes -- Query mode is enabled. no -- Query mode is disabled.

Usage

After the user specifies retrieval criteria in query mode, subsequent calls to Retrieve can use the new criteria. To retrieve data based on user selection, change the query mode back to no and use AcceptText to accept the user's specification before the next call to Retrieve.

Setting QuerySort to yes also puts the DataWindow into query mode, changing the QueryMode property's value to yes.

Query mode and secondary DataWindows

When you are sharing data, you cannot turn on query mode for a secondary DataWindow. Trying to set the QueryMode or QuerySort properties results in an error.

Buffer manipulation and query mode

A DataWindow cannot be in query mode when you call the RowsCopy method.

Examples

```
string setting
setting = dw1.Object.DataWindow.QueryMode
dw1.Object.DataWindow.QueryMode = "yes"
setting = dw1.Describe("DataWindow.QueryMode")
dw1.Modify("DataWindow.QueryMode=yes")
```

3.3.169 QuerySort

Description

Whether the result set is sorted when the DataWindow retrieves the data specified in query mode. When query sort is on, the user specifies sorting criteria in the first row of the query form.

DataWindow presentation styles

You cannot use QuerySort with DataWindow objects that use any of the following presentation styles: N-Up, Label, Crosstab, RichText, and Graph.

Applies to

DataWindows

Syntax

PowerBuilder dot notation:

```
dw_control.Object.DataWindow.QuerySort
```

Describe and Modify argument:

```
"DataWindow.QuerySort { = value }"
```

Table 3.192:

Parameter	Description
value	Whether the data retrieved from query mode specifications is sorted. Values are: Yes -- Sorting is enabled. No -- Sorting is disabled.

Usage

If the DataWindow is not already in query mode, setting QuerySort to Yes also sets QueryMode to Yes, putting the DataWindow in query mode.

When you set QuerySort to No, the DataWindow remains in query mode until you also set QueryMode to No.

Query mode and secondary DataWindows

When you are sharing data, you cannot turn on query mode for a secondary DataWindow. Trying to set the QueryMode or QuerySort properties results in an error.

Examples

```
string setting
setting = dw1.Object.DataWindow.QuerySort
dw1.Object.DataWindow.QuerySort = "yes"
setting = dw1.Describe("DataWindow.QuerySort")
dw1.Modify("DataWindow.QuerySort=yes")
```

3.3.170 RadioButtons.property

Description

Properties that control the appearance and behavior of a column with the RadioButton edit style.

Applies to

Column controls

Syntax

PowerBuilder dot notation:

```
dw_control.Object.columnname.RadioButtons.property
```

Describe and Modify argument:

```
"columnname.RadioButtons.property { = value }"
```

Table 3.193:

Parameter	Description
columnname	The name of the column that has the RadioButton edit style.
property	A property for the RadioButton column. Properties and their settings are listed in the table below.
value	The value to be assigned to the property. For RadioButton properties, value cannot be a DataWindow expression.

Table 3.194:

Property for RadioButton	Value
3D or ThreeD	Whether the radio buttons are 3D. Values are: Yes -- Make the buttons 3D. No -- Do not make the buttons 3D. Painter: 3D Look option. When using dot notation, use the term ThreeD instead of 3D.
Columns	An integer constant specifying the number of columns of radio buttons.

Property for RadioButton	Value
	Painter: Columns Across option.
LeftText	Whether the text labels for the radio buttons are on the left side. Values are: Yes -- The text is on the left of the radio buttons. No -- The text is on the right of the radio buttons. Painter: Left Text option.
Scale	Whether the circle is scaled to the size of the font. Scale has an effect only when 3D is No. Values are: Yes -- Scale the circles. No -- Do not scale the circles. Painter: Scale Circles option.

Usage

In the painter

Select the control and set the value in the Properties view, Edit tab when Style Type is RadioButtons.

Examples

```
setting = dw1.Describe("empg.RadioButtons.LeftText")
dw1.Modify("emp_gender.RadioButtons.LeftText=no")
dw1.Modify("emp_gender.RadioButtons.3D=Yes")
dw1.Modify("emp_gender.RadioButtons.Columns=2")
string setting
setting = &
    dw1.Object.emp_gender.RadioButtons.LeftText
dw1.Object.emp_gender.RadioButtons.LeftText = "no"
```

3.3.171 Range

Description

The rows in the DataWindow used in the graph or OLE Object control. Range can be all rows, the rows on the current page, a group that you have defined for the DataWindow, or the current row (OLE Object controls only).

Applies to

Graph and OLE Object controls

Syntax

PowerBuilder dot notation:

```
dw_control.Object.controlname.Range
```

Describe argument:

```
"controlname.Range"
```

Table 3.195:

Parameter	Description
controlname	The name of the graph control within the DataWindow that will display the graphed rows or the name of the OLE Object control that holds an OLE object to which the specified range of rows will be transferred.

Usage

Possible values are:

- 2 -- The current row (OLE Object controls only)
- 1 -- The rows on a single page in the DataWindow object
- 0 -- All the rows in the DataWindow object
- n -- The number of a group level in the DataWindow object

GroupBy and Target also affect the data that is transferred to the OLE object.

In the painter

Select the control and set the value in the Properties view, Data tab, Rows option.

Examples

```
string strRange
strRange = dw1.Object.graph_salary.Range
strRange = dw1.Object.ole_report.Range
strRange = dw1.Describe("graph_salary.Range")
strRange = dw1.Describe("ole_report.Range")
```

3.3.172 ReadOnly**Description**

Whether the DataWindow is read-only.

Applies to

DataWindows

Syntax

PowerBuilder dot notation:

```
dw_control.Object.DataWindow.ReadOnly
```

Describe and Modify argument:

```
"DataWindow.ReadOnly { = value }"
```

Table 3.196:

Parameter	Description
value	Whether the DataWindow is read-only. Values are: Yes -- Make the DataWindow read-only.

Parameter	Description
	No -- (Default) Do not make the DataWindow read-only.

Examples

```
string setting
setting = dw1.Object.DataWindow.ReadOnly
dw1.Object.DataWindow.ReadOnly="Yes"
setting = dw1.Describe("DataWindow.ReadOnly")
dw1.Modify("DataWindow.ReadOnly=Yes")
```

3.3.173 Render3D

Description

Whether the GraphType is rendered in the DirectX 3D style.

Applies to

Graph controls and Graph DataWindows

Syntax

PowerBuilder dot notation:

```
dw_control.Object.graphname.Render3D
```

Describe and Modify argument:

```
"graphname.Render3D { = ' boolean ' }
```

Table 3.197:

Parameter	Description						
graphname	The graph control for which you want to get or change the type. Graph types that can use the new 3D rendering style are:						
	<table border="0"> <tr> <td>3 -- Bar 3D</td> <td>15 -- Area3D</td> </tr> <tr> <td>8 -- Col3D</td> <td>16 -- Line3D</td> </tr> <tr> <td></td> <td>17 -- Pie3D</td> </tr> </table>	3 -- Bar 3D	15 -- Area3D	8 -- Col3D	16 -- Line3D		17 -- Pie3D
3 -- Bar 3D	15 -- Area3D						
8 -- Col3D	16 -- Line3D						
	17 -- Pie3D						
boolean	0 = Original 3D style 1 = New 3D rendering style						

Usage

In the painter

Select the control and set the value in the Properties view, General tab.

Examples

The following statement sets a graph control to the DirectX 3D style.

```
gr_1.Render3D=true
```

The following statement sets a DataWindow in the graph presentation style to the DirectX 3D style.

```
dw_1.Object.gr_1.Render3D=true
```

3.3.174 ReplaceTabWithSpace

Description

Whether tab characters embedded in the data for a DataWindow display as square boxes when the row is not the current row.

Applies to

DataWindows

Syntax

PowerBuilder dot notation:

```
dw_control.Object.DataWindow.ReplaceTabWithSpace
```

Describe and Modify argument:

```
"DataWindow.ReplaceTabWithSpace { = value }"
```

Table 3.198:

Parameter	Description
value	Whether tab characters embedded in the data for a DataWindow are replaced with spaces. Values are: Yes -- Replace each tab character with four spaces. No -- (Default) Do not replace tab characters.

Examples

```
string str
str = dw1.Object.DataWindow.ReplaceTabWithSpace
dw1.Object.DataWindow.ReplaceTabWithSpace="Yes"
str = dw1.Describe("DataWindow.ReplaceTabWithSpace")
dw1.Modify("DataWindow.ReplaceTabWithSpace=Yes")
```

3.3.175 Report

Description

Whether the DataWindow is a read-only report.

Applies to

Style keywords

Syntax

SyntaxFromSql:

```
Style ( Report = value )
```

Table 3.199:

Parameter	Description
value	Whether the DataWindow is a read-only report, similar to a DataWindow created in the Report painter. Values are:

Parameter	Description
	Yes -- The DataWindow is a read-only report. No -- The DataWindow is not read-only.

Examples

```
SQLCA.SyntaxFromSQL(sqlstring, &
'Style(...Report = yes ...)', errstring)
```

3.3.176 ResetPageCount

Description

Specifies that a change in the value of the group column causes the page count to begin again at 0.

Applies to

Group keywords

Syntax

SyntaxFromSql:

```
Group (coll {col2 ...} ... ResetPageCount )
```

Examples

```
SQLCA.SyntaxFromSQL(sql_syntax, &
"Style(Type=Group) " + &
"Group(#3 NewPage ResetPageCount)", &
errorvar)
```

3.3.177 Resizable

Description

Whether the user can resize the specified control.

Applies to

Button, Column, Computed Field, Graph, GroupBox, Line, OLE, Oval, Picture, Rectangle, Report, RoundRectangle, TableBlob, and Text controls

Syntax

PowerBuilder dot notation:

```
dw_control.Object.controlname.Resizeable
```

Describe and Modify argument:

```
"controlname.Resizeable { = value }"
```

Table 3.200:

Parameter	Description
controlname	The control within the DataWindow whose Resizable setting you want to get or set.
value	A boolean number indicating whether controlname can be resized.

Parameter	Description
	Values are: 0 -- (False) The control cannot be resized. 1 -- (True) The control can be resized.

Usage

In the painter

Select the control and set the value in the Properties view, Position tab.

When you make the control resizable, set the Border property to the resizable border so the user knows it is resizable.

Examples

```
string setting
setting = dw1.Object.graph_1.Resizeable
dw1.Object.graph_1.Resizeable = 1
setting = dw1.Describe("graph_1.Resizeable")
dw1.Modify("graph_1.Resizeable=1")
dw1.Modify("bitmap_1.Resizeable=0")
```

3.3.178 Retrieve

Description

The SQL statement for the DataWindow.

Retrieve is set in DataWindow syntax only for the Create method.

Applies to

Table keywords

Syntax

```
Table ( ... Retrieve = selectstatement ... )
```

3.3.179 Retrieve.AsNeeded

Description

Whether rows will be retrieved only as needed from the database. After the application calls the Retrieve method to get enough rows to fill the visible portion of the DataWindow, additional rows are "needed" when the user scrolls down to view rows that have not been viewed yet.

Applies to

DataWindows

Syntax

PowerBuilder dot notation:

```
dw_control.Object.DataWindow.Retrieve.AsNeeded
```

Describe and Modify argument:

```
"DataWindow.Retrieve.AsNeeded { = 'value ' }"
```

Table 3.201:

Parameter	Description
value	Whether rows will be retrieved only as needed from the database. Values are: <ul style="list-style-type: none"> • Yes -- Rows will be retrieved only as needed. • No -- All rows will be retrieved when the Retrieve method is called.

Usage**In the painter**

Set the value using Rows>Retrieve Options>Rows As Needed.

Examples

```
string setting
setting = dw1.Object.DataWindow.Retrieve.AsNeeded
dw1.Object.DataWindow.Retrieve.AsNeeded= "Yes"
setting = dw1.Describe("DataWindow.Retrieve.AsNeeded")
dw1.Modify("DataWindow.Retrieve.AsNeeded=Yes")
```

3.3.180 RichEdit.property**Description**

Settings that affect the appearance and behavior of columns whose edit style is RichText.

Applies to

Column controls

Syntax

PowerBuilder dot notation:

```
dw_control.Object.columnname.RichEdit.property
```

Describe and Modify argument:

```
"columnname.RichEdit.property { = value }"
```

SyntaxFromSql:

```
Column ( RichEdit.property = value )
```

Table 3.202:

Parameter	Description
columnname	The column with the RichText edit style for which you want to get or set property values. You can specify the column name or a pound sign (#) and the column number.
property	A property for the column's Edit style. Properties and their settings are listed in the table below. The table identifies the properties you can use with SyntaxFromSql.
value	The value to be assigned to the property.

Table 3.203:

Property for RichEdit	Value
AutoSelect	<p>Whether to select the contents of the column control automatically when it receives focus.</p> <p>Values are:</p> <p>Yes -- Select automatically.</p> <p>No -- Do not select automatically.</p> <p>You can use AutoSelect with SyntaxFromSql. The setting applies to all the columns in the generated syntax.</p> <p>Painter: Auto Selection option</p>
DisplayOnly	<p>Whether the column is display only.</p> <p>Values are:</p> <p>Yes -- Do not allow the user to enter data; make the column display only.</p> <p>No -- Allow the user to enter data.</p> <p>Painter: Display Only option</p> <p>For conditional control over column editing, use the Protect property.</p>
FocusRectangle	<p>Whether a dotted rectangle (the focus rectangle) surrounds the current row of the column when the column has focus.</p> <p>Values are:</p> <p>Yes -- Display the focus rectangle.</p> <p>No -- Do not display the focus rectangle.</p> <p>You can use FocusRectangle with SyntaxFromSql. The setting applies to all the columns in the generated syntax.</p> <p>Painter: Show Focus Rectangle option</p>
Limit	<p>A number specifying the maximum number of characters (0 to 32,767) that the user can enter. 0 means unlimited.</p> <p>Painter: Limit option.</p>
NullsNull	<p>Whether to set the value of the column control to null when the user leaves it blank.</p> <p>Values are:</p> <p>Yes -- Make the empty string null.</p> <p>No -- Do not make the empty string null.</p> <p>Painter: Empty String is Null option.</p>
Required	<p>Whether the column is required.</p>

Property for RichEdit	Value
	Values are: Yes -- It is required. No -- It is not required. Painter: Required option.
VScrollBar	Whether a vertical scroll bar displays in the column control. Values are: Yes -- Display vertical scroll bars. No -- Do not display vertical scroll bars. Painter: Vertical Scroll Bar option.

Usage

In the painter

Select the control and set values in the Properties view, Edit tab, when Style Type is RichText.

Examples

```
string setting
setting = &
    dw_1.Object.rte_description.RichEdit.AutoSelect
dw_1.Object.rte_description.RichEdit.VScrollBar="yes"
setting = dw_1.Describe(&
    "rte_description.RichEdit.VScrollBar")
dw_1.Modify("rte_description.RichEdit.Required=no")
```

3.3.181 RichText.property

Description

Properties for the DataWindow RichText presentation style.

Applies to

DataWindows

Syntax

PowerBuilder dot notation:

```
dw_control.Object.DataWindow.RichText.property
```

Describe and Modify argument:

```
"DataWindow.RichText.property { = value }"
```

Table 3.204:

Parameter	Description
property	A property for the DataWindow RichText presentation style. Properties and appropriate values are listed in the table below.
value	A value to be assigned to the property.

Table 3.205:

Property for RichText	Value
BackColor	<p>A long specifying the numeric value of the background color of the text editing area. Values are -2 to 16,777,215.</p> <p>For more information about color, see RGB.</p> <p>Painter: Background Color group, General option.</p>
ControlCharsVisible	<p>Specifies whether control characters (carriage returns, spaces, and tabs) are visible. Values are:</p> <ul style="list-style-type: none"> • Yes -- Control characters are visible. • No -- Control characters are hidden. <p>Painter: RichText Presentation group, ControlChars Visible option.</p>
DisplayOnly	<p>Specifies whether users can make changes to the contents. Values are:</p> <ul style="list-style-type: none"> • Yes -- The content, including text and input files, is protected (the user cannot edit it). • No -- The user can edit the content. <p>Painter: Display Only option.</p>
HeaderFooter	<p>(Read-only) Specifies whether the RichTextEdit DataWindow has a header/footer section. This property must be set in the painter and cannot be changed at runtime. Values are:</p> <ul style="list-style-type: none"> • Yes -- The control has a header/footer section. • No -- The control does not have a header/footer section. <p>If a document has a header or footer and the HeaderFooter property is set to no, then header/footer information in the document is ignored. If the document is then saved in the same file, the header/footer information is lost.</p> <p>Painter: Header/Footer option.</p>
InputField BackColor	<p>A long specifying the default background color for all input fields: -2 to 16,777,215.</p> <p>Painter: Background Color group, Input Field option.</p>
InputField NamesVisible	<p>Specifies whether input field names are displayed in input fields, rather than the input field values. Values are:</p> <ul style="list-style-type: none"> • Yes -- Input fields display. • No -- Input fields do not display.

Property for RichText	Value
	<p>The value you specify is ignored when the InputFieldsVisible property is set to false.</p> <p>Painter: RichText Presentation group, Input Field Names Visible option.</p>
InputFields Visible	<p>Specifies whether input fields display in the DataWindow object. Values are:</p> <ul style="list-style-type: none"> • Yes -- Input fields display their names. • No -- Input fields display their data. <p>Painter: RichText Presentation group, Input Fields Visible option.</p>
PictureFrame (obsolete)	<p>(Obsolete) This property is no longer supported since PowerBuilder 12.6.</p> <p>Specifies whether pictures are displayed as empty frames. Values are:</p> <ul style="list-style-type: none"> • Yes -- Pictures are displayed as empty frames. • No -- The pictures are displayed. <p>Painter: Pictures As Frame option.</p>
PopMenu	<p>Specifies whether the user has access to a pop-up menu by clicking the right mouse button on the DataWindow. The menu allows the user to cut and paste, insert a file, and select formatting options. Values are:</p> <ul style="list-style-type: none"> • Yes -- Pop-up menu is enabled. • No -- Pop-up menu is disabled. <p>Painter: PopUp Menu option.</p>
ReadOnly	<p>Specifies whether the user can change the data and the text in the DataWindow. Values are:</p> <ul style="list-style-type: none"> • Yes -- The DataWindow is read-only (text and data cannot be modified). • No -- The text and the data can be modified.
ReturnsVisible (obsolete)	<p>Replaced by RichText.ControlCharsVisible property.</p>
RulerBar	<p>Specifies whether a ruler bar is visible above the editing area. If visible, the user can use it to see measurements while setting tabs and margins on the tab bar (see the TabBar property in this table). Values are:</p> <ul style="list-style-type: none"> • Yes -- Ruler bar is visible. • No -- Ruler bar is hidden.

Property for RichText	Value
	<p>If the RichTextEdit pop-up menu is enabled, the user can use it to turn ruler bar display on and off (see the PopMenu property in this table).</p> <p>Painter: RichText Bars group, Ruler option.</p>
SpacesVisible	<p>Specifies whether spaces are visible. Values are:</p> <ul style="list-style-type: none"> • Yes -- Spaces are visible. • No -- Spaces are hidden. <p>Painter: RichText Presentation group, Spaces Visible option.</p>
TabBar (obsolete)	<p>(Obsolete) This property is no longer supported since PowerBuilder 12.6.</p> <p>Specifies whether a bar for setting tabs is visible above the editing area. Values are:</p> <ul style="list-style-type: none"> • Yes -- Tab bar is visible. • No -- Tab bar is hidden. <p>If the pop-up menu is enabled, the user can use it to turn tab bar display on and off (see the PopMenu property in this table).</p> <p>Painter: RichText Bars group, Tab option.</p>
TabsVisible	<p>Specifies whether tabs are visible. Values are:</p> <ul style="list-style-type: none"> • Yes -- Spaces are visible. • No -- Spaces are hidden. <p>Painter: RichText Presentation group, Tabs Visible option.</p>
ToolBar	<p>Specifies whether a tool bar for formatting text is visible above the editing area. Values are:</p> <ul style="list-style-type: none"> • Yes -- Tool bar is visible. • No -- Tool bar is not visible. <p>If the pop-up menu is enabled, the user can use it to turn tool bar display on and off (see the PopMenu property in this table).</p> <p>Painter: RichText Bars group, Tool option.</p>
WordWrap	<p>Determines whether large blocks of text that do not contain spaces wrap automatically to the next line when the line reaches the margin. Values are:</p> <ul style="list-style-type: none"> • Yes -- Automatic word wrap is enabled.

Property for RichText	Value
	<ul style="list-style-type: none"> No -- Automatic word wrap is disabled. Users cannot enter characters beyond the right margin, and must move the cursor to a new line to continue entering text. If an inserted document contains a block of text too large to fit on a line, the nonfitting characters are hidden. <p>Painter: Word Wrap option</p>

Usage

In the painter

Select the DataWindow by deselecting all controls; then set the value in the Properties view, General tab, when the presentation style is RichText.

Examples

```
string setting
setting = &
    dw1.Object.DataWindow.RichText.DisplayOnly
dw1.Object.DataWindow.RichText.PopMenu = "yes"
setting = &
    dw1.Describe("DataWindow.RichText.DisplayOnly")
dw1.Modify("DataWindow.RichText.PopMenu = 'yes'")
```

3.3.182 RightToLeft

Description

The RightToLeft property is used to set controls to read right-to-left. This property is for use when you are developing an application for a language that has right-to-left reading order.

Applies to

Column

Syntax

PowerBuilder dot notation:

```
dw_control.Object.controlname.RightToLeft
```

Describe and Modify argument:

```
"controlname.RightToLeft { = integer }"
```

Table 3.206:

Parameter	Description
controlname	The name of the control for which you want to get or set the right-to-left property.
integer	Whether the control is set to right-to-left: <ul style="list-style-type: none"> 0 -- (False) The control is not set to right-to-left

Parameter	Description
	<ul style="list-style-type: none"> 1 -- (True) The control is set to right-to-left

Usage

In the painter

Select the control and set the value in the Properties view, General tab.

Examples

```
dw_1.Object.fname.RightToLeft=1
```

3.3.183 Rotation

Description

The degree of left-to-right rotation for the graph control within the DataWindow when the graph has a 3D type.

Applies to

Graph controls

Syntax

PowerBuilder dot notation:

```
dw_control.Object.graphname.Rotation
```

Describe and Modify argument:

```
"graphname.Rotation = { 'integer ' }"
```

Table 3.207:

Parameter	Description
graphname	The name of the Graph control for which you want to get or set the rotation.
integer	(exp) The degree of rotation for the graph. Effective values range from -90 to 90. Integer can be a quoted DataWindow expression.

Usage

In the painter

Select the control and set the value in the Properties view, General tab, Rotation scroll bar (enabled when a 3D graph type is selected).

Examples

```
string setting
setting = dw1.Object.graph_1.Rotation
dw1.Object.graph_1.Rotation=25
setting = dw1.Describe("graph_1.Rotation")
dw1.Modify("graph_1.Rotation=25")
dw1.Modify("graph_1.Rotation='1~tHour(Now())'")
```

3.3.184 Row.Resize

Description

Whether the user can use the mouse to change the height of the rows in the detail area of the DataWindow.

Applies to

DataWindows

Syntax

PowerBuilder dot notation:

```
dw_control.Object.DataWindow.Row.Resize
```

Describe and Modify argument:

```
"DataWindow.Row.Resize { = value } "
```

Table 3.208:

Parameter	Description
value	Whether the user can resize the rows in the detail area. Values are: <ul style="list-style-type: none"> • 1 -- Yes, the user can resize the rows. • 0 -- No, the user cannot resize the rows.

Usage

In the painter

Select the DataWindow by deselecting all controls; then set the value in the Properties view, General tab, Row Resize option (available when the presentation style is Grid or Crosstab).

Examples

```
string setting
setting = dw1.Object.DataWindow.Row.Resize
dw1.Object.DataWindow.Row.Resize = 0
setting = dw1.Describe("DataWindow.Row.Resize")
dw1.Modify("DataWindow.Row.Resize=0")
```

3.3.185 Rows_Per_Detail

Description

The number of rows in the detail area of an n-up DataWindow object. This property should be 1 unless the Type property for the Style keyword is Tabular.

Applies to

DataWindows

Syntax

PowerBuilder dot notation:

```
dw_control.Object.DataWindow.Rows_Per_Detail
```

Describe argument:

```
"DataWindow.Rows_Per_Detail"
```

SyntaxFromSql:

```
DataWindow ( ... Rows_Per_Detail = n ... )
```

Table 3.209:

Parameter	Description
n	A long specifying the number of rows in each column

Examples

```
SQLCA.SyntaxFromSQL(sqlselect, &
  'DataWindow(...Rows_Per_Detail = 12 ...)', &
  errstring)
```

3.3.186 Selected

Description

A list of selected controls within the DataWindow.

Applies to

DataWindows

Syntax

PowerBuilder dot notation:

```
dw_control.Object.DataWindow.Selected
```

Describe and Modify argument:

```
"DataWindow.Selected = 'list ' "
```

Table 3.210:

Parameter	Description
list	<p>A list of the controls you want to select. In the list you designate a group of controls by specifying a range of row numbers and a range of controls in the format:</p> <pre>startrow/endrow/startcontrol/endcontrol</pre> <p>To specify more than one group, separate each group with a semicolon:</p> <pre>startrow1/endrow1/startobj1/endobj1;startrow2/endrow2/startobj2/endobj2;...</pre> <p>Do not include spaces in the string. You must use column names, not column numbers.</p>

Examples

```
setting = dw1.Object.DataWindow.Selected
```



```
dw1.Object.DataWindow.Selected = &
"1/10/emp_id/emp_name;12/23/salary/status"
setting = dw1.Describe("DataWindow.Selected")
dw1.Modify("DataWindow.Selected=" &
"1/10/emp_id/emp_name;12/23/salary/status")
```

3.3.187 Selected.Data

Description

A list describing the selected data in the DataWindow. Each column's data is separated by a tab and each row is on a separate line.

Applies to

DataWindows (Crosstab and Grid presentation styles only)

Syntax

PowerBuilder dot notation:

```
dw_control.Object.DataWindow.Selected.Data
```

Describe argument:

```
"DataWindow.Selected.Data"
```

Examples

```
string setting
setting = dw1.Object.DataWindow.Selected.Data
setting = dw1.Describe("DataWindow.Selected.Data")
```

3.3.188 Selected.Mouse

Description

Whether the user can use the mouse to select columns.

Applies to

DataWindows

Syntax

PowerBuilder dot notation:

```
dw_control.Object.DataWindow.Selected.Mouse
```

Describe and Modify argument:

```
"DataWindow.Selected.Mouse { = value }"
```

Table 3.211:

Parameter	Description
value	Whether the user can use the mouse to select columns. Values are: <ul style="list-style-type: none"> • Yes -- The mouse can be used.

Parameter	Description
	<ul style="list-style-type: none"> No -- The mouse cannot be used.

Usage

In the painter

Select the DataWindow by deselecting all controls; then set the value in the Properties view, General tab, Mouse Selection option (available when the presentation style is Grid or Crosstab).

Examples

```
string setting
setting = dw1.Object.DataWindow.Selected.Mouse
dw1.Object.DataWindow.Selected.Mouse = "Yes"
setting = dw1.Describe("DataWindow.Selected.Mouse")
dw1.Modify("DataWindow.Selected.Mouse = Yes")
```

3.3.189 Series

See [Axis](#), [Axis.property](#), and [DispAttr.fontproperty](#).

3.3.190 ShadeColor

Description

The color used for shading the back edge of the series markers when the graph's type is 3D. ShadeColor has no effect unless Series.ShadeBackEdge is 1 (Yes). If ShadeBackEdge is 0, the axis plane is the same color as the background color of the graph.

Applies to

Graph controls

Syntax

PowerBuilder dot notation:

```
dw_control.Object.graphname.ShadeColor
```

Describe and Modify argument:

```
"graphname.ShadeColor { = ' long ' }"
```

Table 3.212:

Parameter	Description
graphname	The Graph control in the DataWindow for which you want to shade color.
long	<p>(exp) A long number converted to a string specifying the color of the shading for axes of a 3D graph.</p> <p>You can use the RGB function in a DataWindow expression or in PowerScript to calculate the desired color value. However, be sure to convert the return value of the PowerScript function to a string.</p> <p>Long can be a quoted DataWindow expression.</p>

Usage

To set the shade color for individual series markers, such as bars or pie slices, use the method `SetDataStyle`.

In the painter

Select the control and set the value in the Properties view, General tab, Shade Color option.

Examples

```
string setting
setting = dw1.Object.graph_1.ShadeColor
dw1.Object.graph_1.ShadeColor = 16600000
setting = dw1.Describe("graph_1.ShadeColor")
dw1.Modify("graph_1.ShadeColor=16600000")
dw1.Modify("graph_1.ShadeColor=String(RGB(90,90,90))")
dw1.Modify("graph_1.ShadeColor='0~t" &
    + If(salary>50000," &
    + String(100,90,90)) &
    + "," &
    + String(90,90,100)) &
    + "'")
```

3.3.191 ShowBackColorOnXP

Description

Whether the background color that you select for a button displays on Windows XP.

Applies to

DataWindow objects

Syntax

PowerBuilder dot notation:

```
dw_control.Object.DataWindow.ShowBackColorOnXP
```

Describe and Modify argument:

```
"DataWindow.ShowBackColorOnXP{ = value }"
```

Table 3.213:

Parameter	Description
value	<p>A boolean value that indicates whether the background color that you select for a button displays on Windows XP.</p> <p>Values are:</p> <p>Yes -- Display the background color.</p> <p>No -- Do not display the background color (default).</p>

Usage

The `Background.Color` property is not supported for buttons on Windows XP by default because the current XP theme controls the appearance of the button.

In the painter

Set the Show Backcolor on XP property on the General tab of the Properties view for the DataWindow object. The background color you selected will display in Preview mode.

Examples

```
dw1.Modify("DataWindow.ShowBackColorOnXP = yes")
dw1.Object.DataWindow.ShowBackColorOnXP = "yes"
```

3.3.192 ShowBackground

Description

Whether the background settings of the report display.

Applies to

Report controls

Syntax

PowerBuilder dot notation:

```
dw_control.Object.controlname.ShowBackground
```

Describe and Modify argument:

```
"controlname.ShowBackground{ = 'value '}"
```

Table 3.214:

Parameter	Description
value	<p>A boolean value that indicates whether the report's background color settings display.</p> <p>Values are:</p> <p>Yes -- Display the background settings.</p> <p>No -- Do not display the background settings (default).</p>

Usage

In the painter

Select the control and set the value in the Properties view, General tab, Show Background check box.

Examples

```
dw1.Modify("r_orders_nested.ShowBackground = yes")
dw1.Object.DataWindow.ShowBackground = "yes"
```

3.3.193 ShowDefinition

Description

Whether the DataWindow definition will display. The DataWindow will display the column names instead of data.

Applies to

DataWindows

Syntax

PowerBuilder dot notation:

```
dw_control.Object.DataWindow.ShowDefinition
```

Describe and Modify argument:

```
"DataWindow.ShowDefinition { = 'value ' }"
```

Table 3.215:

Parameter	Description
value	<p>(exp) Whether the column names will display.</p> <p>Values are:</p> <ul style="list-style-type: none"> • Yes -- Display the column names. • No -- Display the data, if any. <p>Value can be a quoted DataWindow expression.</p>

Examples

```
string setting
setting = dw1.Object.DataWindow.ShowDefinition
dw1.Object.DataWindow.ShowDefinition = "Yes"
setting = dw1.Describe("DataWindow.ShowDefinition")
dw1.Modify("DataWindow.ShowDefinition=Yes")
```

3.3.194 SizeToDisplay**Description**

Whether the graph should be sized automatically to the display area.

Applies to

Graph controls

Syntax

PowerBuilder dot notation:

```
dw_control.Object.graphname.SizeToDisplay
```

Describe and Modify argument:

```
"graphname.SizeToDisplay { = 'value ' }"
```

Table 3.216:

Parameter	Description
graphname	The graph control in the DataWindow for which you want to get or set adjustability.

Parameter	Description
value	<p>(exp) A boolean number specifying whether to adjust the size of the graph to the display.</p> <p>Values are:</p> <ul style="list-style-type: none"> • 0 -- False, do not adjust the size of the graph. • 1 -- True, adjust the size of the graph. <p>Value can be a quoted DataWindow expression.</p>

Usage

In the painter

Select the control and set the value in the Properties view, General tab, Size To Display option.

Examples

```
string setting
setting = dw1.Object.graph_1.SizeToDisplay
dw1.Object.graph_1.SizeToDisplay = 0
setting = dw1.Describe("graph_1.SizeToDisplay")
dw1.Modify("graph_1.SizeToDisplay=0")
```

3.3.195 SlideLeft

Description

Whether the control moves to the left when other controls to the left leave empty space available. This property is for use with read-only controls and printed reports. It should not be used with data entry fields or controls.

Applies to

Button, Column, Computed Field, Graph, GroupBox, Line, Oval, Picture, Rectangle, Report, RoundedRectangle, TableBlob, and Text controls

Syntax

PowerBuilder dot notation:

```
dw_control.Object.controlname.SlideLeft
```

Describe and Modify argument:

```
"controlname.SlideLeft { = ' value ' }"
```

Table 3.217:

Parameter	Description
controlname	The name of the control for which you want to get or set the Slide setting.
value	<p>(exp) Whether the control slides left when there is empty space to its left.</p> <p>Values are:</p>

Parameter	Description
	<ul style="list-style-type: none"> • Yes -- The control will slide left into available space. • No -- The control will remain in position. <p>Value can be a quoted DataWindow expression.</p>

Usage

In the painter

Select the control and set the value in the Properties view, Position tab, Slide Left check box.

Examples

```
string setting
setting = dw1.Object.graph_1.SlideLeft
dw1.Object.emp_lname.SlideLeft = "yes"
setting = dw1.Describe("graph_1.SlideLeft")
dw1.Modify("emp_lname.SlideLeft=yes")
```

3.3.196 SlideUp

Description

Whether the control moves up when other controls above it leave empty space available. This property is for use with read-only controls and printed reports. It should not be used with data entry fields or controls.

Applies to

Button, Column, Computed Field, Graph, GroupBox, Line, Oval, Picture, Rectangle, Report, RoundedRectangle, TableBlob, and Text controls

Syntax

PowerBuilder dot notation:

```
dw_control.Object.controlname.SlideUp
```

Describe and Modify argument:

```
"controlname.SlideUp { = ' value ' }"
```

Table 3.218:

Parameter	Description
controlname	The name of the control for which you want to get or set the Slide setting.
value	<p>(exp) How the control slides up when there is empty space above it.</p> <p>Values are:</p> <ul style="list-style-type: none"> • AllAbove -- Slide the control up if all the controls in the row above it are empty. • DirectlyAbove -- Slide the column or control up if the controls directly above it are empty.

Parameter	Description
	<ul style="list-style-type: none"> No -- The control will not slide up. <p>Value can be a quoted DataWindow expression.</p>

Usage

In the painter

Select the control and set the value in the Properties view, Position tab, Slide Up check box.

Examples

```
string setting
setting = dw1.Object.graph_1.SlideUp
dw1.Object.emp_lname.SlideUp = "no"
setting = dw1.Describe("graph_1.SlideUp")
dw1.Modify("emp_lname.SlideUp=no")
```

3.3.197 Sort

Description

Sort criteria for a newly created DataWindow. To specify sorting for existing DataWindows, see the [SetSort](#) and Sort methods.

Applies to

Table keywords in DataWindow syntax

Syntax

DataWindow syntax for Create method:

```
Table ( ... Sort = stringexpression ... )
```

Table 3.219:

Parameter	Description
stringexpression	A string whose value represents valid sort criteria. See the SetSort method for the format for sort criteria. If the criteria string is null, PowerBuilder prompts for a sort specification when it displays the DataWindow.

3.3.198 Spacing

Description

The gap between categories in a graph.

Applies to

Graph controls

Syntax

PowerBuilder dot notation:

```
dw_control.Object.graphname.Spacing
```

Describe and Modify argument:


```
"graphname.Spacing { = 'integer ' }"
```

Table 3.220:

Parameter	Description
graphname	The name of the graph control in the DataWindow for which you want to get or set the spacing.
integer	(exp) An integer specifying the gap between categories in the graph. You specify the value as a percentage of the width of the data marker. For example, in a bar graph, 100 is the width of one bar, 50 is half a bar, and so on. Integer can be a DataWindow expression.

Usage

In the painter

Select the control and set the value in the Properties view, General tab, Spacing option.

Examples

```
string setting
setting = dw1.Object.graph_1.Spacing
dw1.Object.graph_1.Spacing = 120
setting = dw1.Describe("graph_1.Spacing")
dw1.Modify("graph_1.Spacing=120")
```

3.3.199 Sparse

Description

The names of repeating columns that will be suppressed in the DataWindow.

Applies to

DataWindows

Syntax

PowerBuilder dot notation:

```
dw_control.Object.DataWindow.Sparse
```

Describe and Modify argument:

```
"DataWindow.Sparse { = 'list ' }"
```

Table 3.221:

Parameter	Description
list	(exp) A tab-separated list of column names to be suppressed. List can be a quoted DataWindow expression.

Create method (include at the end of the DataWindow syntax):

```
Sparse ( names = "col1~tcol2~tcol3 ...")
```

Usage

In the painter

Set the value using Rows>Suppress Repeating Values.

Examples

```
string setting
setting = dw1.Object.DataWindow.Sparse
dw1.Object.DataWindow.Sparse = 'col1~tcol2'
setting = dw1.Describe("DataWindow.Sparse")
dw1.Modify("DataWindow.Sparse='col1~tcol2'")
```

3.3.200 Storage

Description

The amount of virtual storage in bytes that has been allocated for the DataWindow object.

Applies to

DataWindows

Syntax

PowerBuilder dot notation:

```
dw_control.Object.DataWindow.Storage
```

Describe argument:

```
"DataWindow.Storage"
```

Usage

Canceling a query that uses too much storage

You can check this property in the script for the RetrieveRow event in the DataWindow control and cancel a query if it is consuming too much storage.

Examples

```
string setting
setting = dw1.Object.DataWindow.Storage
setting = dw1.Describe("DataWindow.Storage")
IF Long(setting) > 50000 THEN RETURN 1
```

3.3.201 StoragePageSize

Description

The default page size for DataWindow storage.

Applies to

DataWindows

Syntax

PowerBuilder dot notation:

```
dw_control.Object.DataWindow.StoragePageSize
```

Describe and Modify argument:

```
"DataWindow.StoragePageSize { = 'size ' }"
```

Table 3.222:

Parameter	Description
size	Two values are provided to enable the DataWindow to use the available virtual memory most efficiently in the current environment: <ul style="list-style-type: none"> • LARGE (Recommended) • MEDIUM

Usage

Set this property to avoid out of memory errors when performing large retrieve, import, or RowsCopy operations. The property must be set before the operation is invoked.

Examples

```
dw1.Modify("datawindow.storagepagesize='LARGE' ")
dw1.object.datawindow.storagepagesize='large'
```

3.3.202 Summary.property

See [Bandname.property](#).

3.3.203 SuppressEventProcessing**Description**

Whether the ButtonClicked or ButtonClicking event is fired for this particular button.

Applies to

Button controls

Syntax

PowerBuilder dot notation:

```
dw_control.Object.buttonname.SuppressEventProcessing
```

Describe and Modify argument:

```
"buttonname.SuppressEventProcessing { = ' value ' }"
```

Table 3.223:

Parameter	Description
buttonname	The name of the button control for which you want to suppress event processing.
value	Whether event processing is to occur. Values are: Yes -- The event should not be fired. No -- The event should be fired (default).

Usage

In the painter

Select the control and set the value in the Properties view, General tab.

Examples

```
string setting
dw1.Object.b_name.SuppressEventProcessing = "Yes"
setting = dw1.Describe("b_name.SuppressEventProcessing")
dw1.Modify("b_name.SuppressEventProcessing = 'No' ")
```

3.3.204 Syntax

Description

The complete syntax for the DataWindow.

Applies to

DataWindows

Syntax

PowerBuilder dot notation:

```
dw_control.Object.DataWindow.Syntax
```

Describe argument:

```
"DataWindow.Syntax"
```

Examples

```
setting = dw1.Object.DataWindow.Syntax
setting = dw1.Describe("DataWindow.Syntax")
```

3.3.205 Syntax.Data

Description

The data in the DataWindow object described in parse format (the format required by the DataWindow parser).

Applies to

DataWindows

Syntax

PowerBuilder dot notation:

```
dw_control.Object.DataWindow.Syntax.Data
```

Describe argument:

```
"DataWindow.Syntax.Data"
```

Usage

Use this property with the Syntax property to obtain the description of the DataWindow object and the data. Using this information, you can create a syntax file that represents both the structure and data of a DataWindow at an instant in time. You can then use the syntax file

as a DropDownDataWindow containing redefined data at a single location or to mail this as a text object.

3.3.206 Syntax.Modified

Description

Whether the DataWindow syntax has been modified by a function call or user intervention. Calling the Modify, SetSort, or SetFilter method or changing the size of the DataWindow grid automatically sets Syntax.Modified to Yes.

Applies to

DataWindows

Syntax

PowerBuilder dot notation:

```
dw_control.Object.DataWindow.Syntax.Modified
```

Describe and Modify argument:

```
"DataWindow.Syntax.Modified { = value }"
```

Table 3.224:

Parameter	Description
value	Whether the DataWindow syntax has been modified. Values are: <ul style="list-style-type: none"> • Yes -- DataWindow syntax has been modified. • No -- DataWindow has not been modified.

Usage

Use this property in Modify to set Syntax.Modified to No after you cause a change in the syntax that does not affect the user (such as setting preview on).

Examples

```
string setting
setting = dw1.Object.DataWindow.Syntax.Modified
dw1.Object.DataWindow.Syntax.Modified = "No"
setting = dw1.Describe("DataWindow.Syntax.Modified")
dw1.Modify("DataWindow.Syntax.Modified=No")
```

3.3.207 Table (for Create)

Description

The section of the DataWindow syntax that specifies information about the DataWindow's database table, including the name of the update table.

Use Table in DataWindow syntax for the Create method.

Syntax

Does not apply.

Usage

Use this property to redefine a DataWindow result set. You can add a column, change the datatype of a column, or make other changes to the table section of your DataWindow involving properties that are not accessible through Modify calls or dot notation.

Caution

When you use this property to redefine the result set, you must redefine the table section in its entirety.

You can call the GetItem and SetItem methods to access columns added using this property, but the columns do not display in the DataWindow unless you call Modify("create column(...)") to add them.

To redefine your table section:

1. Export your DataWindow object to a DOS file.
2. Copy only the table section into your script.
3. Modify the table section to meet your needs.
4. Put the new table definition into a string variable. Change existing double quotation marks (") in the string to single quotation marks (') and change the tilde quotation marks to tilde tilde single quotation marks (~~').
5. Call Modify. Modifying the table section of your DataWindow causes the DataWindow to be reset.
6. (Optionally) Call Modify to add the column to the DataWindow display.

3.3.208 Table (for InkPicture and TableBlobs)

Description

The name of the database table that contains the blob(s).

Applies to

InkPicture and TableBlob controls

Syntax

PowerBuilder dot notation:

```
dw_control.Object.controlname.Table
```

Describe and Modify argument:

```
"controlname.Table { = 'tablename ' }"
```

Table 3.225:

Parameter	Description
controlname	The name of the control in the DataWindow.

Parameter	Description
tablename	(exp) A string specifying the name of the table that contains the blob data. Tablename can be a quoted DataWindow expression.

Usage

In the painter

Select the control and set the value in the Properties view, Definition tab, Table option. For InkPicture controls, the table contains a large binary column to store ink overlay data and a large binary column to hold a background image for the InkPicture control. For TableBlob controls, the table contains the large binary database object you want to insert into the DataWindow.

Examples

```
setting = dw1.Object.inkpic_1.Table
dw1.Object.inkpic_1.Table = "inkpictable"

setting = dw1.Describe("inkpic_1.Table")
dw1.Modify("inkpic_1.Table='inkpictable' ")

setting = dw1.Object.blob_1.Table
dw1.Object.blob_1.Table = "emp_pictures"
setting = dw1.Describe("blob_1.Table")
dw1.Modify("blob_1.Table='emp_pictures' ")
```

3.3.209 Table.property

Description

Properties for the DataWindow's DBMS connection.

You can also specify stored procedures for update activities. For information, see [Table.sqlaction.property](#).

Applies to

DataWindows

Syntax

PowerBuilder dot notation:

```
dw_control.Object.DataWindow.Table.property
```

Describe and Modify argument:

```
"DataWindow.Table.property { = value }"
```

Table 3.226:

Parameter	Description
property	A property for the DataWindow's DBMS connection. Properties and appropriate values are listed in the table below.
value	The value to be assigned to the property.

Table 3.227:

Property for Table	Value
Arguments	(Read only) A string containing retrieval argument names and types for the DataWindow.
CrosstabData	A string containing a tab-separated list of the expressions used to calculate the values of columns in a crosstab DataWindow.
Data.Storage	A string indicating whether table data is to be kept in memory or offloaded to disk. Values are: <ul style="list-style-type: none"> • Memory (Default) -- Table data is to be kept in memory. • Disk -- Table data is to be offloaded to disk. Painter: Rows>Retrieve Options>Rows to Disk.
Delete.Arguments	(Internal use only) A string containing arguments to pass to the delete method.
Delete.Method	(Internal use only) The name of the method.
Delete.Type	(Internal use only) Currently stored procedure is the only type implemented.
Filter	(exp) A string containing the filter for the DataWindow. Filters are expressions that can evaluate to true or false. The Table.Filter property filters the data before it is retrieved. To filter data already in the DataWindow's buffers, use the Filter property or the SetFilter and Filter methods. The filter string can be a quoted DataWindow expression. Painter: Rows>Filter.
GridColumns	(Read-only) The grid columns of a DataWindow.
Insert.Arguments	(Internal use only) A string containing arguments to pass to the insert method.
Insert.Method	(Internal use only) The name of the method.
Insert.Type	(Internal use only) Currently stored procedure is the only type implemented.
Procedure	A string that contains the number of the result set returned by the stored procedure to populate the DataWindow object. You can use this property only if your DBMS supports stored procedures. Use this property to change the stored procedure or to change the data source from a SELECT statement or script to a stored procedure (see the example). Painter: Set when Stored Procedure is selected as a data source.
Select	A string containing the SQL SELECT statement that is the data source for the DataWindow. Use this property to specify a new SELECT statement or change the data source from a stored procedure or Script to a SELECT statement. Table.Select has several advantages over the SetSqlSelect method:

Property for Table	Value
	<ul style="list-style-type: none"> • It is faster. PowerBuilder does not validate the statement until retrieval. • You can change data source for the DataWindow. For example, you can change from a SELECT to a Stored Procedure. • You can use none or any of the arguments defined for the DataWindow object in the SELECT. You cannot use arguments that were not previously defined for the DataWindow object. • Describe always tries to return a SQL SELECT statement. If the database is not connected and the property's value is a PBSELECT statement, Describe will convert it to a SQL SELECT statement if a SetTransObject method has been executed. <p>If you are using describeless retrieval (the StaticBind database parameter is set to 1), you cannot use the Select property.</p> <p>Painter: Set when Select or Quick Select is selected as a data source.</p>
Select.Attribute	(Read-only) A string containing the PBSELECT statement for the DataWindow.
Sort	<p>(exp) A string containing the sort criteria for the DataWindow, for example, "1A,2D" (column 1 ascending, column 2 descending). The Table.Sort property sorts the data before it is retrieved. To sort data already in the DataWindow's buffers, use the SetSort and Sort methods.</p> <p>The value for Sort is quoted and can be a DataWindow expression.</p> <p>Painter: Rows>Sort.</p>
SQLSelect	The most recently executed SELECT statement. Setting this has no effect. See Select in this table.
Update.Arguments	(Internal use only) A string containing arguments to pass to the update method.
Update.Method	(Internal use only) The name of the method.
Update.Type	(Internal use only) Currently stored procedure is the only type implemented.
UpdateKey InPlace	<p>Whether the key column can be updated in place or the row has to be deleted and reinserted. This value determines the syntax PowerBuilder generates when a user modifies a key field:</p> <ul style="list-style-type: none"> • Yes -- Use the UPDATE statement when the key is changed so that the key is updated in place. • No -- Use a DELETE and an INSERT statement when the key is changed. <p>Caution</p> <p>When there are multiple rows in a DataWindow object and the user switches keys or rows, updating in place might fail due to DBMS duplicate restrictions.</p>

Property for Table	Value
	Painter: Rows>Update Properties, Key Modification.
UpdateTable	A string specifying the name of the database table used to build the Update syntax. Painter: Rows>Update Properties, Table to Update.
UpdateWhere	An integer indicating which columns will be included in the WHERE clause of the Update statement. The value of UpdateWhere can impact performance or cause lost data when more than one user accesses the same tables at the same time. Values are: <ul style="list-style-type: none"> • 0 -- Key columns only (risk of overwriting another user's changes, but fast). • 1 -- Key columns and all updatable columns (risk of preventing valid updates; slow because SELECT statement is longer). • 2 -- Key and modified columns (allows more valid updates than 1 and is faster, but not as fast as 0). For more about the effects of this setting, see the discussion of the Specify Update Characteristics dialog box in Section 6.4, "Controlling Updates in DataWindow objects" in <i>Users Guide</i> . Painter: Rows>Update Properties, Where Clause for Update/Delete.

Examples

```
setting = dw1.Object.DataWindow.Table.Sort
dw1.Object.DataWindow.Table.Data.Storage = "disk"
dw1.Object.DataWindow.Table.Filter = "salary>50000"
setting = dw1.Describe("DataWindow.Table.Sort")
dw1.Modify("DataWindow.Table.Filter='salary>50000'")
dw_1.Modify (" DataWindow.Table.Procedure= &
'1 Execute MyOwner MyProcName;1 &
@NameOfProcArg=:NameOfDWArg, &
@NameOfProcArg=:NameOfDWArg...' ")
sqlvar = 'SELECT ... WHERE ...'
dw1.Modify("DataWindow.Table.Select='" + sqlvar + "'")
```

3.3.210 Table.sqlaction.property

Description

The way data is updated in the database. When the Update method is executed, it can send UPDATE, INSERT, and DELETE SQL statements to the DBMS. You can specify that a stored procedure be used instead of the default SQL statement for each type of data modification.

Applies to

DataWindows

Syntax

PowerBuilder dot notation:

`dw_control.Object.DataWindow.Table.sqlaction.property`

Describe and Modify argument:

`"DataWindow.Table.sqlaction.property { = value }"`**Table 3.228:**

Parameter	Description
sqlaction	The SQL statement that would ordinarily be executed as part of a database update. Values are: <ul style="list-style-type: none"> • UPDATE • INSERT • DELETE
property	A property for sqlaction. Properties and appropriate values are listed in the table below.
value	The value to be assigned to the property.

Table 3.229:

Property for Table	Value
Arguments	A string specifying the arguments used in the stored procedure. The string takes this format: <pre>("argname", valuetype { =("valuesrc" {, datasrc, paramtype })</pre> <p>Argname is the name of the stored procedure parameter.</p> <p>Valuetype is one of the keywords described below. Datasrc and paramtype apply to the COLUMN keyword.</p> <p>Valuesrc is the column, computed field, or expression that produces the value to be passed to the stored procedure.</p>
Method	A string specifying the name of the stored procedure. The stored procedure is used only if the value of Type is SP.
Type	Specifies whether the database update is performed using a stored procedure. Values are: <ul style="list-style-type: none"> • SP -- The update is performed using a stored procedure. • SQL -- The update is performed using standard SQL syntax (default).

Table 3.230:

Keyword for valuetype	Description
COLUMN	<p>The argument value will be taken from the table and column named in valuesrc. Valuesrc has the form:</p> <pre data-bbox="368 465 1394 495">"tablename.column"</pre> <p>For COLUMN, you must also specify whether the data is the new or original column value. Values for datasrc are:</p> <ul style="list-style-type: none"> • NEW The new column value that is being sent to the database. • ORIG The value that the DataWindow originally read from the database. You can also specify the type of stored procedure parameter. Values for paramtype are: • IN (Default) An input parameter for the procedure. • OUT An output parameter for the procedure. The DataWindow will assign the resulting value to the current row and column (usually used for identity and timestamp columns). • INOUT An input and output parameter. <p>A sample string for providing a column argument is:</p> <pre data-bbox="368 1480 1394 1541">("empid", COLUMN=("employee.empid", ORIG, IN))</pre>
COMPUTE	<p>The computed field named in valuesrc is the source of the value passed to the stored procedure.</p> <p>A sample string for providing a computed field argument is:</p> <pre data-bbox="368 1704 1394 1731">("newsalary", COMPUTE=("salary_calc"))</pre>
EXPRESSION	<p>The expression specified in valuesrc is evaluated and passed to the stored procedure.</p> <p>A sample string for providing an expression argument is:</p> <pre data-bbox="368 1899 1394 1933">("dept_name", EXPRESSION=("LookUpDisplay(dept_id)"))</pre>
UNUSED	No value is passed to the stored procedure.

Usage

In the painter

Set the values using Rows>Stored Procedure Update. Select the tab page for the SQL command you want to associate with a stored procedure.

In code

If you enable a DataWindow object to use stored procedures to update the database when it is not already using stored procedures, you must change Type to SP first. Setting Type ensures that internal structures are built before you set Method and Arguments. If you do not change Type to SP, then setting Method or Arguments will fail.

When the values you specify in code are nested in a longer string, you must use the appropriate escape characters for quotation marks.

Examples

Each is all on one line:

```
dw_x.Describe("DataWindow.Table.Delete.Method")
dw_x.Describe("DataWindow.Table.Delete.Arguments")
dw_x.Modify("DataWindow.Table.Delete.Type=SP")
dw_x.Modify("DataWindow.Table.Delete.Arguments = ((~"id~",
COLUMN=~"department.dept_id!~", ORIG)))")
dw_x.Modify("DataWindow.Table.Delete.Method = ~"spname~"")
```

3.3.211 TabSequence**Description**

The number assigned to the specified control in the DataWindow's tab order.

Applies to

Button, Column, Computed Field, Graph, OLE Object, OLE Database Blob, Picture, and Text controls

Syntax

PowerBuilder dot notation:

```
dw_control.Object.columnname.TabSequence
```

Describe and Modify argument:

```
"columnname.TabSequence { = number }"
```

Table 3.231:

Parameter	Description
columnname	The name of the column whose tab order you want to get or set.
number	A number from 0 to 32000 specifying the position of the column in the tab order. A value of 0 takes the column out of the tab order and makes it read-only.

Usage**In the painter**

Set the value using Format>Tab Order.

Examples

```
string setting
setting = dw1.Object.emp_name.TabSequence
dw1.Object.emp_name.TabSequence = 10
setting = dw1.Describe("emp_name.TabSequence")
dw1.Modify("emp_name.TabSequence = 10")
```

3.3.212 Tag

Description

The tag value of the specified control. The tag value can be any text you see fit to use in your application.

Applies to

Button, Column, Computed Field, Graph, GroupBox, Oval, Picture, Rectangle, Report, RoundedRectangle, TableBlob, and Text controls

Syntax

PowerBuilder dot notation:

```
dw_control.Object.controlname.Tag
```

Describe and Modify argument:

```
"controlname.Tag { = ' string ' }"
```

Table 3.232:

Parameter	Description
controlname	The name of a control in the DataWindow.
string	(exp) A string specifying the tag for controlname. String is quoted and can be a DataWindow expression.

Usage

In the painter

Select the control and set the value in the Properties view, General tab, Tag option.

Examples

```
setting = dw1.Object.blob_1.Tag
dw1.Object.graph_1.Tag = 'Graph of results'
setting = dw1.Describe("blob_1.Tag")
dw1.Modify("graph_1.Tag = 'Graph of results'")
```

3.3.213 Target

Description

The columns and expressions whose data is transferred from the DataWindow to the OLE object.

Applies to

OLE Object controls

Syntax

PowerBuilder dot notation:

```
dw_control.Object.oleobjectname.Target
```

Describe and Modify argument:

```
"oleobjectname.Target { = ' columnlist ' }"
```

Table 3.233:

Parameter	Description
oleobjectname	The name of the OLE Object control for which you want to get or set the data to be transferred.
columnlist	(exp) A list of the columns or expressions whose data is transferred to the OLE object. If there is more than one, separate them with commas. Columnlist can be a quoted DataWindow expression.

Usage

GroupBy and Range also affect the data that is transferred to the OLE object.

In the painter

Select the control and set the value in the Properties view, Data tab, Target Data option.

Examples

```
setting = dw1.Object.ole_1.Target
dw1.Object.ole_1.Target = 'lname, Len(companyname) '
setting = dw1.Describe("ole_1.Target")
dw1.Modify("ole_1.Target = 'lname, Len(companyname) '")
```

3.3.214 Template

Description

The name of a file that will be used to start the application in OLE.

Applies to

TableBlob controls

Syntax

PowerBuilder dot notation:

```
dw_control.Object.tblobname.Template
```

Describe and Modify argument:

```
"tbodyname.Template { = ' string ' }"
```

Table 3.234:

Parameter	Description
tbodyname	The name of a TableBlob control in the DataWindow.
string	(exp) A string whose value is the file name of an application that is to be the OLE template. String is quoted and can be a DataWindow expression.

Usage

In the painter

Select the control and set the value in the Properties view, Definition tab, File Template option.

Examples

```
setting = dw1.Object.blob_1.Template
dw1.Object.blob_1.Template='Excel.xls'
setting = dw1.Describe("blob_1.Template")
dw1.Modify("blob_1.Template='Excel.xls'")
```

3.3.215 Text

Description

The text of the specified control.

Applies to

Button, GroupBox, and Text controls

Syntax

PowerBuilder dot notation:

```
dw_control.Object.textname.Text
```

Describe and Modify argument:

```
"textname.Text { = ' string ' }"
```

Table 3.235:

Parameter	Description
textname	The name of a control in the DataWindow.
string	(exp) A string specifying the text for textname. To specify an accelerator key in the text, include an ampersand before the desired letter. The letter will display underlined. String is quoted and can be a DataWindow expression.

Usage

In the painter

Select the control and set the value in the Properties view, General tab, Text option.

Examples

```
setting = dw1.Object.text_1.Text
dw1.Object.text_1.Text = "Employee &Name"
setting = dw1.Describe("text_1.Text")
dw1.Modify("text_1.Text='Employee &Name'")
```

3.3.216 Timer_Interval

Description

The number of milliseconds between the internal timer events. When you use time in a DataWindow, an internal timer event is triggered at the interval specified by Timer_Interval. This determines how often time fields are updated.

Applies to

DataWindows

Syntax

PowerBuilder dot notation:

```
dw_control.Object.DataWindow.Timer_Interval
```

Describe and Modify argument:

```
"DataWindow.Timer_Interval { = number }"
```

SyntaxFromSql:

```
DataWindow ( Timer_Interval = number )
```

Table 3.236:

Parameter	Description
number	An integer specifying the interval between timer events in milliseconds. The default is 60,000 milliseconds or one minute. The maximum value is 65,535 milliseconds.

Usage

When a computed field uses Now as its expression value, it refreshes the displayed value every time the timer interval period elapses.

In the painter

Select the DataWindow by deselecting all controls; then set the value in the Properties view, General tab, Timer Interval option.

Examples

```
string setting
setting = dw1.Object.DataWindow.Timer_Interval
dw1.Object.DataWindow.Timer_Interval = 10000
setting = dw1.Describe("DataWindow.Timer_Interval")
dw1.Modify("DataWindow.Timer_Interval=10000")
```

3.3.217 Title**Description**

The title of the graph.

Applies to

Graph controls

Syntax

PowerBuilder dot notation:

```
dw_control.Object.graphname.Title
```

Describe and Modify argument:

```
"graphname.Title { = 'titlestring ' }"
```

Table 3.237:

Parameter	Description
graphname	In the DataWindow object, the name of the Graph control for which you want to get or set the title
titlestring	A string specifying the graph's title

Usage

In the painter

Select the control and set the value in the Properties view, General tab, Title option.

The default expression for the Title.DispAttr.DisplayExpression property is "title", which refers to the value of the Title property. The display expression can combine the fixed text of the Title property with other text, functions, and operators. If the expression for Title.DispAttr.DisplayExpression does not include the Title property, then the value of the Title property will be ignored.

For an example, see [DispAttr.fontproperty](#).

Examples

```
setting = dw1.Object.gr_1.Title
dw1.Object.gr_1.Title = 'Sales Graph'
setting = dw1.Describe("gr_1.Title")
dw1.Modify("gr_1.Title = 'Sales Graph'")
```

3.3.218 Title.DispAttr.fontproperty

See [DispAttr.fontproperty](#).

3.3.219 Tooltip.property

Description

Settings for tooltips for a column or control.

Applies to

Button, Column, Computed Field, Graph, GroupBox, InkPicture, Line, OLE, Blob OLE, Oval, Picture, Rectangle, Report, RoundedRectangle, and Text controls

Syntax

PowerBuilder dot notation:

```
dw_control.Object.controlname.Tooltip.property
```

Describe and Modify argument:

```
"controlname.Tooltip.property { = 'value ' }"
```

SyntaxFromSql:

```
Column ( Tooltip.property = value )
Text ( Tooltip.property = value )
```

Table 3.238:

Parameter	Description
controlname	The control whose Tooltip properties you want to get or set. When generating DataWindow syntax with SyntaxFromSql, the Tooltip settings apply to all columns or all text controls.
property	A property that applies to the tooltip of a control, as listed in the Property table below.
value	Values for the properties are shown below. Value can be a quoted DataWindow expression.

Table 3.239:

Property for Tooltip	Value
BackColor	(exp) A long specifying the color (the red, green, and blue values) to be used for the background color of the tooltip box. This property will take effect only when the Windows classic style option is selected. Select "Enable Windows Classic Style in the IDE" in the System Options for this property to take effect when running the application from the IDE; and select "Windows classic style" in the project painter for this property to take effect when running the application executable.
Delay.initial	(exp) An integer specifying the time in milliseconds before the tooltip box displays (minimum zero, maximum 32767). Default value is 0.
Delay.visible	(exp) An integer specifying the time in milliseconds that the tooltip box remains visible (minimum zero, maximum 32767). Default value is 32000.
Enabled	(exp) Whether the tooltip is enabled. Values are: 1 -- The tooltip is enabled. 0 -- (Default) The tooltip is disabled.
HasCloseButton	Reserved for future use only
Icon	(exp) A string for the icon to display to the left of the title in the tooltip box. The default is for no icon to display. Three stock icons are available for display in the tooltip box: Info, Warning, and Error. 0 -- None 1 -- Info 2 -- Warning 3 -- Error
Isbubble	(exp) Whether the tooltip box displays as a basic rectangle or a callout bubble. Values are: 0 -- Displays the standard tooltip shape. 1 -- Displays the tooltip as a rounded callout bubble.
MaxWidth	Reserved for future use only

Property for Tooltip	Value
Position	Reserved for future use only
Tip	(exp) A string specifying the text for the tooltip. If you use an expression, make sure the result is converted to a string.
Title	(exp) A string specifying the tooltip box title. If you use an expression, make sure the result is converted to a string.
Textcolor	(exp) A long expression specifying the color (the red, green, and blue values) to be used as the control's tooltip color. This property will take effect only when the Windows classic style option is selected. Select "Enable Windows Classic Style in the IDE" in the System Options for this property to take effect when running the application from the IDE; and select "Windows classic style" in the project painter for this property to take effect when running the application executable.

Usage

In the painter

Select the control and set the value on the Tooltip tab of the Properties view.

Not available for columns or controls in RichText, Graph, or OLE DataWindow objects.

If you want to add a tooltip to an InkPicture in a DataWindow, that InkPicture must not be enabled.

Examples

```
dw_1.Object.oval_1.Tooltip.Color = RGB(255, 0, 128)
ls_data = dw_1.Describe("oval_1.Tooltip.Color")
dw_1.Modify("emp_name.Tooltip.Color='11665407'")
SQLCA.SyntaxFromSQL(sql_syntax, &
  "Style(...) Column(Tooltip.Delay.Visible=15 ...) &
  ...", ls_Errors)
SQLCA.SyntaxFromSQL(sql_syntax, &
  "Style(...) Column(Tooltip.TextColor=11665407 ...) "&
  , ls_Errors)
```

3.3.220 Trail_Footer

Description

Whether the footer of a nested report is displayed at the end of the report or at the bottom of the page. Trail_Footer applies only to reports in a composite DataWindow. Setting Trail_Footer to No forces controls following the report onto a new page.

Applies to

Report controls

Syntax

PowerBuilder dot notation:

```
dw_control.Object.reportname.Trail_Footer
```

Describe and Modify argument:

```
"reportname.Trail_Footer { = value }"
```

Table 3.240:

Parameter	Description
reportname	The name of the report control for which you want to get or set Trail_Footer.
value	Whether the report's footer trails the last line of the report or appears at the bottom of the page. Values are: Yes -- The footer appears right after the last line of data in the report. No -- The footer appears at the bottom of the page, forcing any data following the report onto the following page.

Examples

```
string setting
setting = dw1.Object.rpt_1.Trail_Footer
dw1.Object.rpt_1.Trail_Footer = "Yes"
setting = dw1.Describe("rpt_1.Trail_Footer")
dw1.Modify("rpt_1.Trail_Footer = Yes")
```

3.3.221 Trailer.#.property

See [Bandname.property](#).

3.3.222 Transparency (columns and controls)**Description**

Settings for the transparency of the text in a control.

Applies to

Button, Column, Computed Field, GroupBox, and Text controls

Syntax

PowerBuilder dot notation:

```
dw_control.Object.controlname.Transparency
```

Describe and Modify argument:

```
"controlname.Transparency { = 'value ' }"
```

Table 3.241:

Parameter	Description
controlname	The name of the column or control in the DataWindow for which you want to specify the percentage transparency for the text of the column or control.
value	(exp) An integer in the range 0 to 100, where 0 means that the text background is opaque and 100 that it is completely transparent.

Usage**In the painter**

Select the control and set the value in the Font tab of the Properties view.

Using Transparency with fonts

The Transparency property works with fonts, but only on screen. Text with transparent properties appears blurry in PDF files. The transparent text does not display in print unless you use True Type fonts.

In Windows Vista, ClearType anti-aliasing conflicts with the transparency settings and causes the fonts to appear blurred. Turn off ClearType to avoid this problem; font transparency will work, but the fonts will not be smoothed. You can also avoid using ClearType fonts.

Examples

```
setting = dw_1.Object.cb_1.Transparency
dw_1.Object.cb_1.Transparency = 50
```

3.3.223 Transparency (picture controls in DataWindows)

Description

Settings for the transparency of a picture control. This feature is not supported in the RichText and OLE processing styles.

Applies to

Picture controls

Syntax

PowerBuilder dot notation:

```
dw_control.Object.controlname.Transparency
```

Describe and Modify argument:

```
"controlname.Transparency { = 'value ' }"
```

Table 3.242:

Parameter	Description
controlname	The name of the picture control in the DataWindow for which you want to specify the percentage transparency.
value	(exp) An integer in the range 0 to 100, where 0 means that the picture is opaque and 100 that it is completely transparent.

Usage

In the painter

Select the control and set the value in the General tab of the Properties view.

Examples

```
dw_1.Object.p_1.Transparency = 50
```

3.3.224 Transparency (DataWindow objects)

Description

Setting that controls the transparency of the background/primary gradient color.

Applies to

DataWindows

Syntax

PowerBuilder dot notation:

```
dw_control.transparency
```

Describe and Modify argument:

```
"DataWindow ( transparency = { integer } )"
```

Table 3.243:

Parameter	Description
integer	An integer in the range 0 to 100, where 0 means that the primary color (background) is opaque and 100 that it is completely transparent.

Usage

In the painter

Select the DataWindow object and set the value on the Background tab of the Properties view.

If you save to an EMF or WMF, the properties on the Background tab are not saved with the DataWindow.

See also

[Brushmode](#)

[Color](#)

3.3.225 Tree.property

Description

Settings for a TreeView DataWindow.

Applies to

TreeView DataWindows

Syntax

PowerBuilder dot notation:

```
dw_control.Object.DataWindow.Tree.property
```

Describe and Modify argument:

```
"DataWindow.Tree.property { = value } "
```

Table 3.244:

Parameter	Description
property	A property that controls the appearance or behavior of the TreeView DataWindow. Properties and their settings are listed in the table below.

Parameter	Description
value	(exp) A string value for the file name of the tree node icon in the detail band. Value can be a quoted DataWindow expression.

Table 3.245:

Property for Tree	Value
DefaultExpandToLevel	<p>An integer value that is the default level of expansion for the TreeView DataWindow. For example, if the default level is 2, only data with a level less than or equal to 2 is expanded by default. The value must represent a valid level.</p> <p>Painter: Expand To Level By Default drop-down list on the General page in the Properties view. The list displays the levels that have been created for the DataWindow.</p>
Indent	<p>A long value in the units specified for the DataWindow that defines the position of the state icon. The state icon is a plus (+) or minus (-) sign that indicates whether the tree node is in a collapsed or expanded state. The icon's indent indicates the level of the node in the tree. The X position of the state icon is the X position of its parent plus value.</p> <p>Painter: Select or enter a value in the Indent Value box on the General page.</p>
SelectNodeByMouse	<p>A boolean value that indicates whether you can select a tree node by clicking the node with the mouse.</p> <p>Values are:</p> <p>Yes -- You can select a tree node with a mouse-click (default).</p> <p>No -- You cannot select a tree node with a mouse-click.</p> <p>Painter: Node By Mouse check box.</p>
ShowConnectLines	<p>A boolean value that indicates whether lines connecting parents and children display in the DataWindow object. If you want to show lines connecting rows in the detail band to their parent, you must also set ShowLeafNodeConnectLines.</p> <p>Values are:</p> <p>Yes -- Display connecting lines (default).</p> <p>No -- Do not display connecting lines.</p> <p>Painter: Show Lines check box.</p>
ShowLeafNodeConnectLines	<p>A boolean value that indicates whether lines connecting rows in the detail band to their parent display in the DataWindow object. This property is disabled if Show Lines box is not set.</p> <p>Values are:</p> <p>Yes -- Display connecting lines (default).</p>

Property for Tree	Value
	No -- Do not display connecting lines. Painter: Connect Leaf Nodes check box.
ShowTreeNodeIcons	A boolean value that indicates whether tree node icons for level and detail bands display. If this property is not set, the Expanded and Collapsed Tree Node Icon File properties on the General properties page for each TreeView level are disabled. Values are: No -- Do not display tree node icons (default). Yes -- Display tree node icons. Painter: Use Tree Node Icon check box.
StateIconAlignMode	A long value that indicates how the state icon is aligned vertically with respect to the TreeView level band. Values are: 0 -- Middle (default). 1 -- Top. 2 -- Bottom. Painter: State Icon Align Mode drop-down list.

Usage

In the painter

Select the control and set values in the Properties view, General tab.

Examples

The following code sets and gets the long value that determines how many levels of the TreeView are expanded by default:

```
long ll_expandlevel
dw1.Object.datawindow.tree.DefaultExpandToLevel = 1
ll_expandlevel = &
    dw1.Object.DataWindow.Tree.DefaultExpandToLevel
```

The following code gets and sets the Indent value:

```
indentVal = dw1.Object.DataWindow.Tree.indent
dw1.Object.DataWindow.Tree.indent = 80
```

The following examples manipulate the SelectNodeByMouse property:

```
if cbx_selectnodebymouse.checked then          ls_selectnodebymouse='yes'
else
    ls_selectnodebymouse='no'
end if
ls_ret=dwl.modify("datawindow.tree.selectnodebymouse='"+ls_selectnodebymouse+"'")

if len(ls_ret)>0 then MessageBox("",ls_ret)
end if
```

```

ls_selectnodebymouse=dwl.Describe("datawindow.tree.
selectnodebymouse")
if lower(ls_selectnodebymouse)='no' then
  cbx_selectnodebymouse.checked=false
else
  cbx_selectnodebymouse.checked=true
end if

dwl.modify("datawindow.tree.selectnodebymouse='yes' ")
dwl.Describe("datawindow.tree.selectnodebymouse")

```

The following examples manipulate the show connecting lines properties:

```

boolean lb_ShowLines, lb_ShowLeafLines
lb_ShowLines = &
  dw1.Object.DataWindow.Tree.ShowConnectLines
dw1.Object.DataWindow.Tree.ShowConnectLines='yes'

lb_ShowLeafLines = dw1.Object.DataWindow.Tree.
ShowLeafNodeConnectLines

dw1.Object.DataWindow.Tree.ShowLeafNodeConnectLines =&
  'yes'

```

The following example gets the current value of the StateIconAlignMode property and sets it to be aligned at the top:

```

ls_StateIconAlignMode = dw1.Object.DataWindow.Tree.StateIconAlignMode
//Align Top dw1.Object.DataWindow.Tree.StateIconAlignMode = 1

```

3.3.226 Tree.Leaf.TreeNodeIconName

Description

The file name of the tree node icon in the detail band.

Applies to

TreeView DataWindows

Syntax

PowerBuilder dot notation:

```
dw_control.Object.DataWindow.Tree.Leaf.TreeNodeIconName
```

Describe and Modify argument:

```
"DataWindow.Tree.Leaf.TreeNodeIconName { = value } "
```

Table 3.246:

Parameter	Description
value	(exp) A string value for the file name of the tree node icon in the detail band. Value can be a quoted DataWindow expression.

Usage

In the painter

Select the detail band by clicking the gray divider for the band. Specify a file name and location in the Tree Node Icon File box on the General tab in the Properties view. This

property is disabled if Use Tree Node Icon is not set on the General tab in the Properties view for the DataWindow.

Examples

```
ls_LeafIcon = &
  dw1.Object.DataWindow.Tree.Leaf.TreeNodeIconName
dw1.Object.DataWindow.Tree.Leaf.TreeNodeIconName = &
  "c:\pictures\treenode.bmp"
```

3.3.227 Tree.Level#.property

Description

The file name of the icon for a TreeView node in a TreeView level band when the icon is in either the expanded or collapsed state. You set the icon file name separately for each TreeView level band.

Applies to

TreeView DataWindows

Syntax

Describe and Modify argument:

```
"DataWindow.Tree.Level#.property { = value } "
```

Table 3.247:

Parameter	Description
#	The number of the level for which you want to specify an icon. The level number must exist.
property	A property that indicates whether the icon specified is for the expanded or collapsed state. Values are: <ul style="list-style-type: none"> CollapsedTreeNodeIconName ExpandedTreeNodeIconName
value	(exp) A string value that is the file name of the tree node icon in the selected TreeView level band. Value can be a quoted DataWindow expression.

Usage

In the painter

Select the level by clicking the gray divider for the band. Specify a file name and location in the Collapsed Tree Node Icon File and Expanded Tree Node Icon File boxes on the General tab in the Properties view for the band. These properties are disabled if Use Tree Node Icon is not selected on the General tab in the Properties view for the DataWindow.

You cannot get or set these properties using dot notation.

Examples

The following example gets the name of the icon used when a level 1 node is collapsed:

```
string ls_ico
ls_ico = dw_tview.Describe &
( "DataWindow.Tree.Level.1.CollapsedTreeNodeIconName" )
```

3.3.228 Type

Description

The type of the control (for Describe) or the type of presentation style (for SyntaxFromSql).

Syntax

PowerBuilder dot notation:

```
dw_control.Object.controlname.Type
```

Describe argument:

```
"controlname.Type"
```

Table 3.248:

Parameter	Description
controlname	The name of the control for which you want the type. Valid values are: datawindow bitmap (for Picture) button column compute (for Computed Field) graph groupbox line ole ellipse (for Oval) rectangle report roundrectangle tableblob text

SyntaxFromSql:

```
Style ( Type = value )
```

Table 3.249:

Parameter	Description
value	A keyword specifying the presentation style for the DataWindow object. Keywords are: (Default) Tabular Grid Form (for the Freeform style) Crosstab Graph

Parameter	Description
	Group Label Nested Ole RichText

Examples

```
string setting
setting = dw1.Object.emp_name.Type
setting = dw1.Describe("emp_name.Type")
SQLCA.SyntaxFromSQL(sqlstring, &
'Style(... Type=grid ...)', errstring)
```

3.3.229 Units

Description

The unit of measure used to specify measurements in the DataWindow object. You set this in the DataWindow Style dialog box when you define the DataWindow object.

Applies to

DataWindows

Syntax

PowerBuilder dot notation:

```
dw_control.Object.DataWindow.Units
```

Describe argument:

```
"DataWindow.Units"
```

SyntaxFromSql:

```
DataWindow ( Units = value )
```

Table 3.250:

Parameter	Description
value	The type of units for measurements in the DataWindow. Values are: 0 -- PowerBuilder units 1 -- Display pixels 2 -- 1/1000 of a logical inch 3 -- 1/1000 of a logical centimeter

Usage

PowerBuilder units and display pixels are adjusted for printing.

In the painter

Select the DataWindow by deselecting all controls; then set the value in the Properties view, General tab, Units option.

Examples

```
string setting
setting = dw1.Object.DataWindow.Units
setting = dw1.Describe("DataWindow.Units")
```

3.3.230 Update

Description

Whether the specified column is updatable. Each updatable column is included in the SQL statement that the Update method sends to the database. All updatable columns should be in the same database table.

Applies to

Column controls

Syntax

PowerBuilder dot notation:

```
dw_control.Object.columnname.Update
```

Describe and Modify argument:

```
"columnname.Update { = value }"
```

Table 3.251:

Parameter	Description
columnname	The column for which you want to get or set the updatable status
value	Whether the column is updatable. Values are: Yes -- Include the column in the SQL statement for updating the database. No -- Do not include the column in the SQL statement.

Usage

In the painter

Set the value using Rows>Update Properties, Updateable Columns option.

Examples

```
string setting
setting = dw1.Object.emp_name.Update
dw1.Object.emp_name.Update = "No"
setting = dw1.Describe("emp_name.Update")
dw1.Modify("emp_name.Update=No")
```

3.3.231 Validation

Description

The validation expression for the specified column. Validation expressions are expressions that evaluate to true or false. They provide checking of data that the user enters in the DataWindow.

To set the validation expression, you can also use the SetValidate method. To check the current validation expression, use the GetValidate method.

Applies to

Column controls

Syntax

PowerBuilder dot notation:

```
dw_control.Object.columnname.Validation
```

Describe and Modify argument:

```
"columnname.Validation { = ' validationstring ' }"
```

Table 3.252:

Parameter	Description
columnname	The column for which you want to get or set the validation rule..
validationstring(exp)	A string containing the rule that will be used to validate data entered in the column. Validation rules are expressions that evaluate to true or false. Validationstring is quoted and can be a DataWindow expression.

Usage

In the painter

Set the value using the Column Specifications view, Validation Expression option.

Use operators, functions, and columns to build an expression. Use Verify to test it.

Examples

```
string setting
setting = dw1.Object.emp_status.Validation
setting = dw1.Describe("emp_status.Validation")
```

3.3.232 ValidationMsg

Description

The message that PowerBuilder displays instead of the default message when an ItemError event occurs in the column.

Applies to

Column controls

Syntax

PowerBuilder dot notation:

```
dw_control.Object.columnname.ValidationMsg
```

Describe and Modify argument:

```
"columnname.ValidationMsg { = ' string ' }"
```

Table 3.253:

Parameter	Description
columnname	The column for which you want to get or set the error message displayed when validation fails.
string	(exp) A string specifying the error message you want to set. String is quoted and can be a DataWindow expression.

Usage

In the painter

Set the value using the Column Specifications view, Validation Message option.

Examples

```
string setting
setting = dw1.Object.emp_salary.ValidationMsg
dw1.Object.emp_salary.ValidationMsg = &
"Salary must be between 10,000 and 100,000"
setting = dw1.Describe("emp_salary.ValidationMsg")
dw1.Modify("emp_salary.ValidationMsg = " &
"'Salary must be between 10,000 and 100,000'")
```

3.3.233 Values (for columns)

Description

The values in the code table for the column.

Applies to

Column controls

Syntax

PowerBuilder dot notation:

```
dw_control.Object.columnname.Values
```

Describe and Modify argument:

```
"columnname.Values { = ' string ' }"
```

Table 3.254:

Parameter	Description
columnname	The column for which you want to specify the contents of the code table.
string	(exp) A string containing the code table values for the column. In the string, separate the display values and the actual values with a tab character, and separate multiple pairs of values with a slash using this format: <pre>"displayval~tactualval/displayval~tactualval/ ..."</pre> For example: <pre>"red~t1/white~t2"</pre> String is quoted and can be a DataWindow expression.

Usage

In the painter

Select the control and set the value in the Properties view, Edit tab.

When Style Type is DropDownListBox, fill in the Display Value and Data Value columns for the code table.

When Style is Edit or EditMask, select the Use Code Table or Code Table check box and fill in the Display Value and Data Value columns for the code table.

Examples

```

setting = dw1.Object.emp_status.Values
dw1.Object.emp_status.Values = &
    "Active~tA/Part Time~tP/Terminated~tT"
setting = dw1.Describe("emp_status.Values")
dw1.Modify("emp_status.Values =
'Active~tA/Part Time~tP/Terminated~tT' ")

```

3.3.234 Values (for graphs)

See [Axis](#), [Axis.property](#), and [DispAttr.fontproperty](#).

3.3.235 Vertical_Size

Description

The height of the columns in the detail area of the DataWindow object. Vertical_Size is meaningful only when Type is Form (meaning the Freeform style). When a column reaches the specified height, PowerBuilder starts a new column to the right of the current column. The space between columns is specified in the Vertical_Spread property.

Applies to

Style keywords

Syntax

SyntaxFromSql:

```
Style ( Vertical_Size = value )
```

Table 3.255:

Parameter	Description
value	An integer specifying the height of the columns in the detail area of the DataWindow object area in the units specified for the DataWindow

Examples

```

SQLCA.SyntaxFromSQL(sqlstring, &
'Style(... Vertical_Size=1225...)', errstring)

```

3.3.236 Vertical_Spread

Description

The vertical space between columns in the detail area of the DataWindow object. Vertical_Spread is meaningful only when Type is Form (meaning the Freeform style). The Vertical_Size property determines when to start a new column.

Applies to

Style keywords

Syntax

SyntaxFromSql:

```
Style ( Vertical_Spread = value )
```

Table 3.256:

Parameter	Description
value	An integer specifying the vertical space between columns in the detail area of the DataWindow object area in the units specified for the DataWindow

Examples

```
SQLCA.SyntaxFromSQL(sqlstring, &
'Style(... Vertical_Spread=25...)', errstring)
```

3.3.237 VerticalScrollMaximum

Description

The maximum height of the scroll box of the DataWindow's vertical scroll bar. This value is set by PowerBuilder based on the content of the DataWindow. Use VerticalScrollMaximum with VerticalScrollPosition to synchronize vertical scrolling in multiple DataWindow objects. The value is a long.

Applies to

DataWindows

Syntax

PowerBuilder dot notation:

```
dw_control.Object.DataWindow.VerticalScrollMaximum
```

Describe argument:

```
"DataWindow.VerticalScrollMaximum"
```

Examples

```
string setting
setting = dw1.Object.DataWindow.VerticalScrollMaximum
setting = dw1.Describe("DataWindow.VerticalScrollMaximum")
```

3.3.238 VerticalScrollPosition

Description

The position of the scroll box in the vertical scroll bar. Use VerticalScrollMaximum with VerticalScrollPosition to synchronize vertical scrolling in multiple DataWindow objects.

Applies to

DataWindows

Syntax

PowerBuilder dot notation:

```
dw_control.Object.DataWindow.VerticalScrollPosition
```

Describe and Modify argument:

```
"DataWindow.VerticalScrollPosition { = scrollvalue }"
```

Table 3.257:

Parameter	Description
scrollvalue	A long specifying the position of the scroll box in the vertical scroll bar of the DataWindow

Examples

```
string spos1
spos1 = dw1.Object.DataWindow.VerticalScrollPosition
string spos1, smax, sscroll, modstring
spos1 = &
    dw1.Describe("DataWindow.VerticalScrollPosition")
smax = &
    dw1.Describe("DataWindow.VerticalScrollMaximum")
sscroll = String(Long(smax)/2)
modstring = "DataWindow.VerticalScrollPosition=" + &
    sscroll
dw1.Modify(modstring)
```

3.3.239 Visible**Description**

Whether the specified control in the DataWindow is visible.

Applies to

Button, Column, Computed Field, Graph, GroupBox, Line, OLE, Oval, Picture, Rectangle, Report, RoundedRectangle, TableBlob, and Text controls

Syntax

PowerBuilder dot notation:

```
dw_control.Object.controlname.Visible
```

Describe and Modify argument:

```
"controlname.Visible { = 'value ' }"
```

Table 3.258:

Parameter	Description
controlname	The name of the control for which you want to get or set the Visible property.
value	(exp) Whether the specified control is visible. Values are: 0 -- False; the control is not visible.

Parameter	Description
	1 -- True; the control is visible. Value can be a quoted DataWindow expression.

Usage

In the painter

Select the control and set the value in the Properties view, General tab. The Visible property is not supported for column controls in DataWindow objects with the Label presentation style.

Examples

```
string setting
setting = dw1.Object.emp_status.Visible
dw1.Object.emp_status.Visible = 0
dw1.Object.emp_stat.Visible="0~tIf(emp_class=1,0,1)"
setting = dw1.Describe("emp_status.Visible")
dw1.Modify("emp_status.Visible=0")
dw1.Modify("emp_stat.Visible='0~tIf(emp_cls=1,0,1) '")
```

3.3.240 VTextAlign

Description

The way text in a button is vertically aligned.

Applies to

Button controls

Syntax

PowerBuilder dot notation:

```
dw_control.Object.buttonname.VTextAlign
```

Describe and Modify argument:

```
"buttonname.VTextAlign { = 'value ' }"
```

Table 3.259:

Parameter	Description
buttonname	The name of the button for which you want to align text.
value	An integer indicating how the button text is horizontally aligned. Values are: 0 -- Center 1 -- Top 2 -- Bottom 3 -- Multiline

Usage

In the painter

Select the control and set the value in the Properties view, General tab, Vertical Alignment option.

Examples

```
string setting
dw1.Object.b_name.VTextAlign = "0"
setting = dw1.Describe("b_name.VTextAlign")
dw1.Modify("b_name.VTextAlign = '0'")
```

3.3.241 Width

Description

The width of the specified control.

Applies to

Button, Column, Computed Field, Graph, GroupBox, OLE, Oval, Picture, Rectangle, Report, RoundRectangle, TableBlob, and Text controls

Syntax

PowerBuilder dot notation:

```
dw_control.Object.controlname.Width
```

Describe and Modify argument:

```
"controlname.Width { = ' value ' }"
```

Table 3.260:

Parameter	Description
controlname	The name of the control for which you want to get or set the width.
value	(exp) The width of the controlname in the units specified for the DataWindow. Value can be a quoted DataWindow expression.

Usage

In the painter

Select the control and set the value in the Properties view, Position tab.

Examples

```
string setting
setting = dw1.Object.emp_name.Width
dw1.Object.emp_name.Width = 250
setting = dw1.Describe("emp_name.Width")
dw1.Modify("emp_name.Width=250")
```

3.3.242 Width.AutoSize

Description

(RichText presentation style only) Whether the column or computed field input field adjusts its width according to the data it contains.

The Width.AutoSize and Multiline properties can be set together so that the input field can display multiple lines.

Applies to

Column and Computed Field controls in the RichText presentation style

Syntax

PowerBuilder dot notation:

```
dw_control.Object.controlname.Width.Autosize
```

Describe and Modify argument:

```
"controlname.Width.Autosize { = ' value ' }"
```

Table 3.261:

Parameter	Description
controlname	The name of the column or computed field for which you want to get or set the Autosize setting.
value	(exp) Whether the width of the input field adjusts according to the data it contains. Values are: <ul style="list-style-type: none"> • Yes -- The width adjusts according to the data. • No -- The width is fixed and is set to the value of the Width property.

Usage**In the painter**

Select an input field so that it is flashing, then right-click and select Properties from the pop-up menu. Set the value on the property sheet, Input Field tab, Fixed Size option.

Examples

```
string setting
setting = dw1.Object.emp_name.Width.Autosize
dw1.Object.emp_name.Width.Autosize = "yes"
setting = dw1.Describe("emp_name.Width.Autosize")
dw1.Modify("emp_name.Width.Autosize=yes")
```

3.3.243 Width.Autosize**Description**

(Grid presentation style only) Whether a column adjusts its width according to the data it contains.

Applies to

Column controls in the Grid presentation style

Syntax

PowerBuilder dot notation:

```
dw_control.Object.controlname.Width.Autosize
```

Describe and Modify argument:

```
"controlname.Width.Autosize { = ' value ' }"
```

Table 3.262:

Parameter	Description
controlname	The name of the column for which you want to get or set the Autosize setting.
value	How the width of the column adjusts according to the data it contains. Values are: <ul style="list-style-type: none"> • 0 -- None • 1 -- Widest shown • 2 -- Widest on page • 3 -- Widest retrieved from database

Usage**In the painter**

Select a column control, then set the value in the Properties view, Position tab, Autosize Width option.

3.3.244 X**Description**

The distance of the specified control from the left edge of the DataWindow object.

Applies to

Button, Column, Computed Field, Graph, GroupBox, OLE, Oval, Picture, Rectangle, Report, RoundedRectangle, TableBlob, and Text controls

Syntax

PowerBuilder dot notation:

```
dw_control.Object.controlname.X
```

Describe and Modify argument:

```
"controlname.X { = ' value ' }"
```

Table 3.263:

Parameter	Description
controlname	The name of the control for which you want to get or set the x coordinate.
value	(exp) An integer specifying the x coordinate of the control in the unit of measure specified for the DataWindow object. Value can be a quoted DataWindow expression.

Usage**In the painter**

Select the control and set the value in the Properties view, Position tab.

Examples

```
string setting
setting = dw1.Object.emp_name.X
dw1.Object.emp_name.X = 10
setting = dw1.Describe("emp_name.X")
dw1.Modify("emp_name.X=10")
```

3.3.245 X1, X2

Description

The distance of each end of the specified line from the left edge of the line's band.

Applies to

Line controls

Syntax

PowerBuilder dot notation:

```
dw_control.Object.controlname.X1
dw_control.Object.controlname.X2
```

Describe and Modify argument:

```
"controlname.X1 { = ' value ' }"
"controlname.X2 { = ' value ' }"
```

Table 3.264:

Parameter	Description
controlname	The name of the line for which you want to get or set one of the x coordinates.
value	(exp) An integer specifying the x coordinate of the line in the unit of measure specified for the DataWindow object. Value can be a quoted DataWindow expression.

Usage

In the painter

Select the control and set the value in the Properties view, Position tab.

Examples

```
string setting
setting = dw1.Object.line_1.X1
dw1.Object.line_1.X1 = 10
dw1.Object.line_1.X2 = 1000
setting = dw1.Describe("line_1.X1")
dw1.Modify("line_1.X1=10")
dw1.Modify("line_1.X2=1000")
```

3.3.246 XHTMLGen.Browser (obsolete)

Description

A string that identifies the browser in which XHTML generated within an XSLT style sheet is displayed.

Obsolete property

XHTMLGen.browser is obsolete and should not be used, because the Web DataWindow technology is obsolete.

The Web Generation tab and JavaScript Generation tab are preserved for the backward compatibility only.

Applies to

DataWindow objects

Syntax

PowerBuilder dot notation:

```
dw_control.Object.DataWindow.XHTMLGen.Browser
```

Describe and Modify argument:

```
"DataWindow.XHTMLGen.Browser { = ' value ' }"
```

Table 3.265:

Parameter	Description
value	(exp) A string identifying the browser in which you want to display the generated XHTML. The value should match the browser identifier part of the text string that the browser specifies in the HTTP header it sends to the server. This property is usually set dynamically on the server according to the HTTP header returned from the client. Recognized strings are listed in the Usage section below.

Usage

If the string specifies a browser that the DataWindow engine supports, the DataWindow generates an XSLT style sheet and JavaScript for XHTML transformation optimized for that browser. Browser-specific XSLT and JavaScript are generated only for Microsoft Internet Explorer 5.0 and later and Netscape 6.0 and later.

Browser identification strings are sent by the client to the server in the HTTP header. The server component can assign the HTTP_USER_AGENT value from the HTTP header to the Browser property.

The XML Web DataWindow generator recognizes these browsers:

Table 3.266:

Browser	HTTP header string
Microsoft Internet Explorer	Mozilla/4.0 (compatible; MSIE 5.0; Mozilla/4.0 (compatible; MSIE 5.5; Mozilla/4.0 (compatible; MSIE 6.x;
Netscape	Mozilla/5.0(

In the painter

On the Web Generation tab in the Properties view for the DataWindow object, select XHTML from the Format to Configure list and select a browser from the list.

3.3.247 XMLGen.property (obsolete)

Description

Settings that specify how XML is generated, whether client-side, postback, or callback paging is used, the physical path to which XML is published, and the URL referenced by the JavaScript that transforms the XML to XHTML.

Obsolete property

XMLGen.property is obsolete and should not be used, because the Web DataWindow technology is obsolete.

The Web Generation tab and JavaScript Generation tab are preserved for the backward compatibility only.

Applies to

DataWindow objects

Syntax

PowerBuilder dot notation:

```
dw_control.Object.DataWindow.XMLGen.property
```

Describe and Modify argument:

```
"DataWindow.XMLGen.property { = value }"
```

Table 3.267:

Parameter	Description
property	One of the following: <ul style="list-style-type: none"> • Inline • PublishPath • ResourceBase
value	<p>(exp) Inline -- A boolean that specifies whether the XML generated for the XML Web DataWindow is generated inline to the XSLT transformation script. Values are:</p> <p>true -- The XML is generated within the XSLT transformation script.</p> <p>false -- (default) The XML is published to a separate document.</p> <p>(exp) PublishPath -- A string that specifies the physical path of the website folder to which PowerBuilder publishes the generated XML document that contains the XML Web DataWindow content.</p> <p>(exp) ResourceBase -- A string that specifies the URL of the generated XML document that contains the XML Web DataWindow content.</p>

Usage

Inline

The XML published on the Internet in your XML Web DataWindow could contain sensitive data, and this data might be exposed to Internet users when published to a separate document. For increased security, if the Inline property is set to true, the XML is generated "inline" to the XSLT transformation script in the page that renders the control. If only authenticated users have access to this script, the security of the XML is ensured. Setting this property should have no adverse side effects on the caching efficiency of the control.

PublishPath and ResourceBase

The PublishPath folder must correspond to the URL specified in the ResourceBase property. At runtime, after PowerBuilder generates XML content to the PublishPath folder, client-side JavaScript in a generated page downloads it using a reference to the ResourceBase property. The JavaScript transforms the XML content to XHTML using the generated XSLT style sheet.

In the painter

On the Web Generation tab in the Properties view for the DataWindow object, select XML from the Format to Configure list and select the options you require.

Examples

These statements set the XMLGen.ResourceBase and XMLGen.PublishPath properties:

```
dw1.Object.DataWindow.XMLGen.ResourceBase= &
'http://www.myserver.com/xmlsource'
dw1.Object.DataWindow.XMLGen.PublishPath= &
'C:\work\outputfiles\xmlsource'
dw1.Modify("DataWindow.XMLGen.PublishPath=
'C:\Inetpub\wwwroot\MyWebApp\generatedfiles'")
dw1.Modify("DataWindow.XMLGen.ResourceBase=
'/MyWebApp/generatedfiles'")
```

This statement sets the XMLGen.Inline property so that XML is generated inline:

```
dw1.Modify("DataWindow.XMLGen.Inline='1'")
```

3.3.248 XSLTGen.property (obsolete)

Description

Settings that specify the physical path to which the generated XSLT style sheet is published and the URL referenced by the JavaScript that transforms the XML to XHTML.

Obsolete property

XSLTGen.property is obsolete and should not be used, because the Web DataWindow technology is obsolete.

The Web Generation tab and JavaScript Generation tab are preserved for the backward compatibility only.

Applies to

DataWindow objects

Syntax

PowerBuilder dot notation:

```
dw_control.Object.DataWindow.XSLTGen.property
```

Describe and Modify argument:

```
"DataWindow.XSLTGen.property { = ' value ' }"
```

Table 3.268:

Parameter	Description
property	One of the following: <ul style="list-style-type: none"> • PublishPath • ResourceBase
value	(exp) PublishPath -- A string that specifies the physical path of the website folder to which PowerBuilder publishes the generated XSLT style sheet (exp) ResourceBase -- A string that specifies the URL of the generated XSLT style sheet

Usage

The PublishPath folder must correspond to the URL specified in the ResourceBase property. At runtime, after PowerBuilder generates the XSLT style sheet to the PublishPath folder, client-side JavaScript in a generated page downloads it using a reference to the ResourceBase property. The JavaScript transforms the XML content to XHTML using the generated XSLT style sheet.

In the painter

On the Web Generation tab in the Properties view for the DataWindow object, select XSLT from the Format to Configure list and specify the ResourceBase and Publish Path locations.

Examples

These statements set the XSLTGen.ResourceBase and XSLTGen.PublishPath properties:

```
dw1.Object.DataWindow.XSLTGen.ResourceBase= &
'http://www.myserver.com/xmlsource'
dw1.Object.DataWindow.XSLTGen.PublishPath= &
'C:\work\outputfiles\xmlsource'
```

3.3.249 Y

Description

The distance of the specified control from the top of the control's band.

Applies to

Button, Column, Computed Field, Graph, GroupBox, OLE, Oval, Picture, Rectangle, Report, RoundRectangle, TableBlob, and Text controls

Syntax

PowerBuilder dot notation:

```
dw_control.Object.controlname.Y
```

Describe and Modify argument:

```
"controlname.Y { = ' value ' }"
```

Table 3.269:

Parameter	Description
controlname	The name of the control for which you want to get or set the y coordinate.
value	(exp) An integer specifying the y coordinate of the control in the unit of measure specified for the DataWindow object. Value can be a quoted DataWindow expression.

Usage

In the painter

Select the control and set the value in the Properties view, Position tab.

Examples

```
string setting
setting = dw1.Object.emp_name.Y
dw1.Object.emp_name.Y = 100
setting = dw1.Describe("emp_name.Y")
dw1.Modify("emp_name.Y=100")
```

3.3.250 Y1, Y2

Description

The distance of each end of the specified line from the top of the line's band.

Applies to

Line controls

Syntax

PowerBuilder dot notation:

```
dw_control.Object.controlname.Y1
dw_control.Object.controlname.Y2
```

Describe and Modify argument:

```
"controlname.Y1 { = 'value ' }"
"controlname.Y2 { = ' value ' }"
```

Table 3.270:

Parameter	Description
controlname	The name of the line for which you want to get or set one of the y coordinates.
value	(exp) An integer specifying the y coordinate of the line in the unit of measure specified for the DataWindow object. Value can be a quoted DataWindow expression.

Usage

In the painter

Select the control and set the value in the Properties view, Position tab.

Examples

```
string setting
setting = dw1.Object.line_1.Y1
dw1.Object.line_1.Y1 = 50
dw1.Object.line_1.Y2 = 50
setting = dw1.Describe("line_1.Y1")
dw1.Modify("line_1.Y1=50")
dw1.Modify("line_1.Y2=50")
```

3.3.251 Zoom

Description

The scaling percentage of the DataWindow object.

Applies to

DataWindows

Syntax

PowerBuilder dot notation:

```
dw_control.Object.DataWindow.Zoom
```

Describe and Modify argument:

```
"DataWindow.Zoom { = value }"
```

Table 3.271:

Parameter	Description
value	An integer specifying the scaling percentage of the DataWindow object. The default is 100%.

Usage

In the painter

To see the effect of different zoom factors in Preview mode, use Design>Zoom. The zoom factor you set in the painter is not used at runtime.

Limitation

The zoom property is not supported for the Graph, RichText, and OLE DataWindow styles.

Examples

```
string setting
setting = dw1.Object.DataWindow.Zoom
dw1.Object.DataWindow.Zoom = 50
setting = dw1.Describe("DataWindow.Zoom")
dw1.Modify("DataWindow.Zoom=50")
```

4 Accessing Data in Code

About this chapter

This chapter explains the syntax for constructing expressions that access data in a `DataWindow` object.

4.1 Accessing data and properties in `DataWindow` programming environments

In each programming environment, you can use methods and sometimes expressions to access the data and properties of a `DataWindow` object.

Data

Methods for single items of data

These include `GetItemString` for data and `Describe` and `Modify` for properties. These methods are available in all environments.

DataWindow data expressions

These let you access single items and blocks of data. You can access data in a single column, data in selected rows, and ranges of rows and columns.

Data expressions have a variety of syntaxes depending on the amount of data you want to access.

You can get and set data values using the following syntax:

```
dwcontrol.Object.Data [ startrownum, startcolnum, endrownum, endcolnum ]
```

For a list of syntaxes, see [Syntaxes for `DataWindow` data expressions](#).

Properties

Methods for properties

These are `Describe` and `Modify`. These methods are available in all environments.

DataWindow property expressions

These let you get and set the values of properties of the `DataWindow` definition and of controls contained within the definition, such as columns and text labels.

Property expressions take this form:

```
dwcontrol.Object.columnname.columnproperty = value
```

Where to find information

This chapter discusses techniques for accessing data with emphasis on data expressions.

For information on accessing properties using methods or property expressions, see [Accessing `DataWindow` Object Properties in Code](#)

4.2 Techniques for accessing data

Two techniques

There are two ways to access data values in a `DataWindow` control:

- **Methods**

SetItem and the group of GetItem methods access single values in specific rows and columns. For example:

```
dw_1.SetItem(1, "empname", "Phillips")
ls_name = dw_1.GetItemString(1, "empname")
```

- **Expressions**

DataWindow data expressions use dot notation and can refer to single items, columns, blocks of data, selected data, or the whole DataWindow control. For example:

```
dw_1.Object.empname[1] = "Phillips"
dw_1.Object.Data[1,1] = "Phillips"
```

Both methods allow you to access data in any buffer and to get original or current values.

Which technique to use

The technique you use depends on how much data you are accessing and whether you know the names of the DataWindow columns when the script is compiled:

Table 4.1: Which technique to use when accessing data

If you want to access	Use
A single item	Either an expression or a method. Both are equally efficient when referring to single items. <i>Exception</i> If you want to use a column's name rather than its number, and the name is not known until runtime, use a method; methods allow you to name the column dynamically.
More than one item, such as: <ul style="list-style-type: none"> • All the data in a column • A block of data specified by ranges of rows and columns • Data in selected rows • All the data in the DataWindow 	An expression. Specifying the data you want in a single statement is much more efficient than calling the methods repeatedly in a program loop.

What's in this section

The rest of this section describes how to construct expressions for accessing DataWindow data. The section [Syntaxes for DataWindow data expressions](#) provides reference information on the syntaxes for data expressions.

For information on methods

For information about using methods for accessing data, see

[SetItem](#)

[GetItemDate](#)

[GetItemDateTime](#)

[GetItemDecimal](#)

[GetItemNumber](#)

[GetItemString](#)

[GetItemTime](#) in [Methods for the DataWindow Control](#)

4.2.1 About DataWindow data expressions

The Object property of the DataWindow control lets you specify expressions that refer directly to the data of the DataWindow object in the control. This direct data manipulation allows you to access small and large amounts of data in a single statement, without calling methods.

There are several variations of data expression syntax, divided into three groups. This section summarizes these syntaxes. The syntaxes are described in detail later in this chapter.

Data in columns or computed fields when you know the name

One or all items

(if rownum is absent, include either buffer or datasource)

```
dwcontrol.Object.columnname { .buffer } { .datasource } { [ rownum ] }
```

Returns a single value (for a specific row number) or an array of values (when rownum is omitted) from the column.

See [Syntax for one or all data items in a named column](#).

Selected items

```
dwcontrol.Object.columnname { .Primary } { .datasource }.Selected
```

Returns an array of values from the column with an array element for each selected row.

See [Syntax for selected data in a named column](#).

Range of items

```
dwcontrol.Object.columnname { .buffer } { .datasource } [ startrownum, endrownum ]
```

Returns an array of values from the column with an array element for each row in the range.

See [Syntax for a range of data in a named column](#).

Data in numbered columns

Single items

```
dwcontrol.Object.Data { .buffer } { .datasource } [ rownum, colnum ]
```

Returns a single item whose datatype is the datatype of the column.

See [Syntax for a single data item in a DataWindow](#).

Blocks of data

involving a range of rows and columns

```
dwcontrol.Object.Data { .buffer } { .datasource } [ startrownum, startcolnum, endrownum, endcolnum ]
```

Returns an array of structures or user objects. The structure elements match the columns in the range. There is one array element for each row in the range.

See [Syntax for data in a block of rows and columns](#).

Whole rows

Single row or all rows

```
dwcontrol.Object.Data { .buffer } { .datasource } { [ rownum ] }
```

Returns one structure or user object (for a single row) or an array of them (for all rows). The structure elements match the columns in the DataWindow object.

See [Syntax for data in a single row or all rows](#).

Selected rows

```
dwcontrol.Object.Data { .Primary } { .datasource } .Selected
```

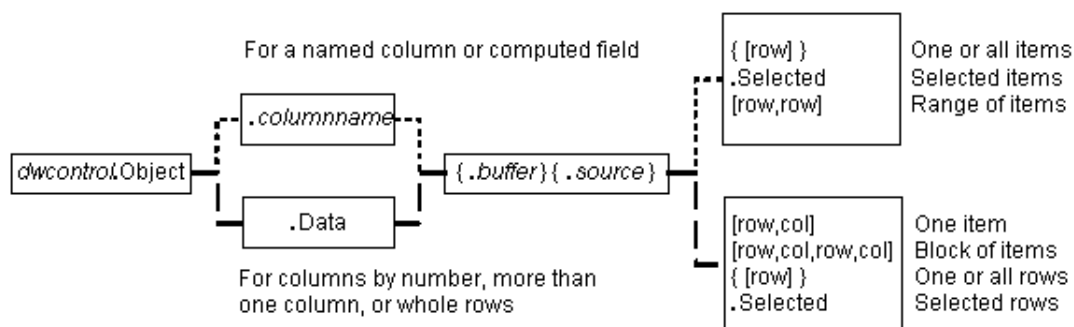
Returns an array of structures or user objects. The structure elements match the columns in the DataWindow object. There is one array element for each selected row.

See [Syntax for all data from selected rows](#).

Summary of syntaxes

This diagram summarizes the variations in data expression syntax:

Figure: Variations in data expression syntax



For information about getting and setting values of DataWindow object properties using a similar syntax, see [Accessing DataWindow Object Properties in Code](#)

4.2.1.1 When a DataWindow data expression is evaluated

Expressions that refer to DataWindow data are not verified until execution of your application.

No compiler checking

When your script is compiled, PowerBuilder does not verify the parameters of the expression that follow the Object property. Your application can select or change the DataWindow object in a DataWindow control at runtime without invalidating the compiled script.

Potential execution errors

If the datatype of the expression is not compatible with how the expression is used, or if the specified rows or columns do not exist, an error will occur at runtime.

You can handle the error by surrounding the expression in a try-catch block and catching any `DWRuntimeErrors`, or by writing a script for the `DataWindow` control's `Error` event.

4.2.1.2 Getting and storing the data from a `DataWindow` data expression

A `DataWindow` data expression can return a large amount of data.

Data structures for data

Single row and column

When your data expression refers to a single row and column, you can assign the data to a variable whose data matches the column's datatype. When the expression refers to a single column but can refer to multiple rows, you must specify an array of the appropriate datatype.

More than one column

When the expression refers to more than one column, you can get or set the data with a structure or user object. When you create the definition, you must assign datatypes to the fields (in a structure) or instance variables (in a user object) that match the datatypes of the columns. When your expression refers to multiple rows, you get an array of the structure or user object.

Likewise, if you want to set data in the `DataWindow` control, you will set up the data in structures or user objects whose elements match the columns referred to in the expression. An array of those structures or user objects will provide data for multiple rows.

Datatypes

For matching purposes, the datatypes should be appropriate to the data -- for example, any numeric datatype matches any other numeric type.

Examples of data structures

The following table presents some examples of data specified by an expression and the type of data structures you might define for storing the data:

Table 4.2: Types of storage for data specified by an expression

Type of selection	Sample data storage
A single item	A single variable of the appropriate datatype.
A column of values	An array of the appropriate datatype.
A row	A structure whose elements have datatypes that match the <code>DataWindow</code> object's columns. A user object whose instance variables match the <code>DataWindow</code> object's columns.
Selected rows or all rows	An array of the structure or user object defined for a row.

Type of selection	Sample data storage
A block of values	An array of structures or user objects whose elements or instance variables match the columns included in the selected range.

Assigning data to arrays

When a data expression is assigned to an array, values are assigned beginning with array element 1 regardless of the starting row number. If the array is larger than the number of rows accessed, elements beyond that number are unchanged. If it is smaller, a variable-size array will grow to hold the new values. However, a fixed-size array that is too small for the number of rows will cause an execution error.

Two ways to instantiate user objects

A user object needs to be instantiated before it is used.

One way is to use the CREATE statement after you declare the user object. If you declare an array of the user object, you must use CREATE for each array element.

The second way is to select the Autoinstantiate box for the user object in the User Object painter. When you declare the user object in a script, the user object will be automatically instantiated, like a structure.

Any datatype and data expressions

The actual datatype of a DataWindow data expression is Any, which allows the compiler to process the expression even though the final datatype is unknown. When data is accessed at runtime, you can assign the result to another Any variable or to a variable, structure, or user object whose datatype matches the real data.

Examples

A single value

This example gets a value from column 2, whose datatype is string:

```
string ls_name
ls_name = dw_1.Object.Data[1,2]
```

A structure that matches DataWindow columns

In this example, a DataWindow object has four columns:

An ID (number)

A name (string)

A retired status (boolean)

A birth date (date)

A structure to hold these values has been defined in the Structure painter. It is named str_empdata and has four elements whose datatypes are integer, string, boolean, and date. To store the values of an expression that accesses some or all the rows, you need an array of str_empdata structures to hold the data:

```
str_empdata lstr_currdata[]
```

```
lstr_currdata = dw_1.Object.Data
```

After this example executes, the upper bound of the array of structures, which is variable-size, is equal to the number of rows in the DataWindow control.

A user object that matches DataWindow columns

If the preceding example involved a user object instead of a structure, then a user object defined in the User Object painter, called `uo_empdata`, would have four instance variables, defined in the same order as the DataWindow columns:

```
integer id  
string name  
boolean retired  
date birthdate
```

Before accessing three rows, three array elements of the user object have been created (you could use a FOR NEXT loop for this). The user object was not defined with Autoinstantiate enabled:

```
uo_empdata luo_empdata[3]  
luo_empdata[1] = CREATE uo_empdata  
luo_empdata[2] = CREATE uo_empdata  
luo_empdata[3] = CREATE uo_empdata  
luo_empdata = dw_1.Object.Data[1,1,3,4]
```

4.2.1.3 Setting DataWindow data with a DataWindow data expression

When you set data in a DataWindow control, the datatypes of the source values must match the datatypes of the columns being set.

Single value or an array

When your data expression refers to a single row and column, you can set the value in the DataWindow control with a value that matches the column's datatype. When you are setting values in a single column and specifying an expression that can refer to multiple rows, the values you assign must be in an array of the appropriate datatype.

Multiple columns and whole rows

When the expression refers to more than one column, you can assign the data with a structure or user object to the DataWindow data. When you create the definition, the fields (in a structure) or instance variables (in a user object) must match the columns. There must be the same number of fields or variables, defined in the same order as the columns, with compatible datatypes.

When your expression can refer to multiple rows, you need an array of the structure or user object.

Using arrays to set values

You do not have to know in advance how many rows are involved when you are setting data in the DataWindow control. PowerBuilder uses the number of elements in the source array and the number of rows in the target expression to determine how to make the assignment and whether it is necessary to insert rows.

If the target expression is selected rows or a range of rows, then:

- When there are more array elements than target rows, the extra array elements are ignored

- When there are fewer array elements than target rows, the column(s) in the extra target rows are filled with default values

If the target expression is all rows but not all columns, then:

- When there are more array elements than target rows, the extra array elements are ignored
- When there are fewer array elements than target rows, only the first rows up to the number of array elements are affected

If the target expression is all rows and all columns, then the source data replaces all the existing rows, resetting the DataWindow control to the new data.

Inserting new rows

When you are setting data and you specify a range, then if rows do not exist in that range, rows are inserted to fill the range. For example, if the DataWindow control has four rows and your expression says to assign data to rows 8 through 12, then eight more rows are added to the DataWindow control. The new rows use the initial default values set up for each column. After the rows are inserted, the array of source data is applied to the rows as described above.

Examples

These examples refer to a DataWindow object that has three columns: emp_id, emp_lname, and salary. The window declares these arrays as instance variables and the window's Open event assigns four elements to each array:

```
integer ii_id[]
string is_name[]
double id_salary[]
uo_empdata iuo_data[]
uo_empid_name iuo_id[]
```

The uo_empdata user object has three instance variables: id, name, and salary. The uo_empid_name user object has two instance variables: id and name.

This example sets emp_lname in the selected rows to the values of is_name, an array with four elements. If two rows are selected, only the first two values of the array are used. If six rows are selected, the last two rows of the selection are set to an empty string:

```
dw_1.Object.emp_lname.Selected = is_name
```

This example sets salary in rows 8 to 12 to the values in the array id_salary. The id_salary array has only four elements, so the extra row in the range is set to 0 or a default value:

```
dw_1.Object.salary[8,12] = id_salary
```

This statement resets the DataWindow control and inserts four rows to match the array elements of iuo_data:

```
dw_1.Object.Data.Primary = iuo_data
```

This example sets columns 1 and 2 in rows 5 to 8 to the values in the array iuo_id:

```
dw_1.Object.Data.Primary[5,1, 8,2] = iuo_id
```

This example sets emp_id in the first four rows to the values in the ii_id array. Rows 5 through 12 are not affected:

```
dw_1.Object.emp_id.Primary = ii_id
```

4.3 Syntaxes for DataWindow data expressions

This section describes in detail the syntaxes that were summarized in [About DataWindow data expressions](#).

You can think of the syntaxes as grouped in three categories:

- Expressions with a named column or computed field
 - [Syntax for one or all data items in a named column](#)
 - [Syntax for selected data in a named column](#)
 - [Syntax for a range of data in a named column](#)
- Expressions with column numbers
 - [Syntax for a single data item in a DataWindow](#)
 - [Syntax for data in a block of rows and columns](#)
- Expressions that access whole rows
 - [Syntax for data in a single row or all rows](#)
 - [Syntax for all data from selected rows](#)

4.3.1 Syntax for one or all data items in a named column

Description

A DataWindow data expression can access a single item in a column or computed field when you specify the control name and a row number. It accesses all the data in the column when you omit the row number.

Syntax

```
dwcontrol.Object.columnname { .buffer } { .datasource } { [ rownum ] }
```

Table 4.3:

Parameter	Description
dwcontrol	The name of the DataWindow control or child DataWindow in which you want to get or set data.
columnname	The name of a column or computed field in the DataWindow object in dwcontrol. If the column or computed field does not exist at runtime, an execution error occurs.
buffer (optional)	The name of the buffer from which you want to get or set data. Values are: <ul style="list-style-type: none"> • Primary -- (Default) The data in the primary buffer (the data that has not been deleted or filtered out).

Parameter	Description
	<ul style="list-style-type: none"> • Delete -- The data in the delete buffer (data deleted from the DataWindow control). • Filter -- The data in the filter buffer (data that was filtered out).
datasource (optional)	<p>The source of the data. Values are:</p> <ul style="list-style-type: none"> • Current -- (Default) The current values in the DataWindow control. • Original -- The values that were initially retrieved from the database. For a computed field, you must specify Original because computed fields cannot be changed and do not have current values.
rownum (optional)	<p>The row number of the desired item. The row number must be enclosed in brackets.</p> <p>To access all the data in the column, omit rownum.</p> <p>When buffer or datasource is not optional</p> <p>When rownum is omitted, you must specify at least one of the other elements in the expression: either buffer or datasource.</p>

Return value

The expression has a datatype of Any. The expression returns a single value (for a specific row number) or an array of values (when rownum is omitted). Each value has a datatype of columnname.

Usage

Is the expression a DWObject or data?

When you want to access all the data in the column, remember to specify at least one of the other optional parameters. Otherwise, the expression you specify refers to the column control, not its data. This expression refers to the DWObject empname, not the data in the column:

```
dw_1.Object.empname
```

In contrast, these expressions all refer to data in the empname column:

```
dw_1.Object.empname.Primary // All rows
dw_1.Object.empname[5] // Row 5
```

Row numbers for computed fields

When you refer to a control in a band other than the detail band (usually a computed field) you still specify a row number. For the header, footer, or summary, specify a row number of 1. For the group header or trailer, specify the group number:

```
dw_1.Object.avg_cf[1]
```

If you specify nothing after the computed field name, you refer to the computed field DWObject, not the data. For a computed field that occurs more than once, you can get all values by specifying buffer or datasource instead of rownum, just as for columns.

When the expression is an array

When the expression returns an array (because there is no row number), you must assign the result to an array, even if you know there is only one row in the result.

This expression returns an array, even if there is only one row in the DataWindow control:

```
dw_1.Object.empname.Primary
```

This expression returns a single value:

```
dw_1.Object.empname[22]
```

Examples

Because the default setting is current values in the primary buffer, the following expressions are equivalent -- both get the value in row 1 for the emp_name column:

```
dw_1.Object.emp_name[1]  
dw_1.Object.emp_name.Primary.Current[1]
```

This statement sets the emp_name value in row 1 to Wilson:

```
dw_1.Object.emp_name[1] = "Wilson"
```

This statement gets values for all the emp_name values that have been retrieved and assigns them to an array of strings:

```
string ls_namearray[]  
ls_namearray = dw_1.Object.emp_name.Current
```

This statement gets current values of emp_name from all rows in the filter buffer:

```
string ls_namearray[]  
ls_namearray = dw_1.Object.emp_name.Filter
```

This statement gets original values of emp_name from all rows in the filter buffer:

```
string ls_namearray[]  
ls_namearray = dw_1.Object.emp_name.Filter.Original
```

This statement gets the current value of emp_name from row 14 in the delete buffer:

```
string ls_name  
ls_name = dw_1.Object.emp_name.Delete[14]
```

This statement gets the original value of emp_name from row 14 in the delete buffer:

```
string ls_name  
ls_name = dw_1.Object.emp_name.Delete.Original[14]
```

This statement gets all the values of the computed field review_date:

```
string ld_review[]  
ld_review = dw_1.Object.review_date.Original
```

4.3.2 Syntax for selected data in a named column

Description

A DataWindow data expression uses the Selected property to access values in a named column or computed field for the currently selected rows. Selected data is always in the primary buffer.

Syntax

```
dwcontrol.Object.columnname { .Primary } { .datasource }.Selected
```

Table 4.4:

Parameter	Description
dwcontrol	The name of the DataWindow control or child DataWindow in which you want to get or set data.
columnname	The name of a column or computed field in the DataWindow object in dwcontrol. If the column or computed field does not exist at runtime, an execution error occurs.
datasource (optional)	The source of the data. Values are: <ul style="list-style-type: none"> • Current -- (Default) The current values in the DataWindow control. • Original -- The values that were initially retrieved from the database. For a computed field, you must specify Original (because computed fields cannot be changed and do not have current values).

Return value

The datatype of the expression is Any. The expression returns an array of values with the datatype of columnname.

Usage

When you specify selected values, the expression always returns an array and you must assign the result to an array, even if you know there is only one row selected.

For selected rows, the primary buffer is the only applicable buffer. For consistency, you can include Primary in this syntax but it is not necessary.

Examples

Because the primary buffer is the only applicable buffer for selected data and current data is the default, these expressions are all equivalent. They access values in the emp_name column for selected rows:

```
dw_1.Object.emp_name.Selected
dw_1.Object.emp_name.Primary.Selected
dw_1.Object.emp_name.Current.Selected
dw_1.Object.emp_name.Primary.Current.Selected
```

These expressions both access original values for selected rows:

```
dw_1.Object.emp_name.Original.Selected
dw_1.Object.emp_name.Primary.Original.Selected
```

This example sets the emp_name value in the first selected row to an empty string. The rest of the selected rows are set to a default value, which can be an empty string:

```
string ls_empty[]
ls_empty[1] = ""
dw_1.Object.emp_lname.Selected = ls_empty
```

This statement gets the original emp_name values in selected rows and assigns them to an array of strings:

```
string ls_namearray[]
```

```
ls_namearray = dw_1.Object.emp_name.Original.Selected
```

4.3.3 Syntax for a range of data in a named column

Description

A DataWindow data expression accesses values in a named column or computed field for a range of rows when you specify the starting and ending row numbers.

Syntax

```
dwcontrol.Object.columnname { .buffer } { .datasource } [ startrownum, endrownum ]
```

Table 4.5:

Parameter	Description
dwcontrol	The name of the DataWindow control or child DataWindow in which you want to get or set data.
columnname	The name of a column or computed field in the DataWindow object in dwcontrol. If the column or computed field does not exist at runtime, an execution error occurs.
buffer (optional)	The name of the buffer from which you want to get or set data. Values are: <ul style="list-style-type: none"> • Primary -- (Default) The data in the primary buffer (the data that has not been deleted or filtered out). • Delete -- The data in the delete buffer (data deleted from the DataWindow control). • Filter -- The data in the filter buffer (data that was filtered out).
datasource (optional)	The source of the data. Values are: <ul style="list-style-type: none"> • Current -- (Default) The current values in the DataWindow control. • Original -- The values that were initially retrieved from the database. For a computed field, you must specify Original (because computed fields cannot be changed and do not have current values).
startrownum	The number of the first row in the desired range of rows.
endrownum	The number of the last row in the desired range of rows. The row numbers must be enclosed in brackets and separated by commas.

Return value

The datatype of the expression is Any. The expression returns an array of values with an array element for each row in the range. Each value's datatype is the datatype of columnname.

Usage

When you specify a range, the expression always returns an array and you must assign the result to an array, even if you know there is only one value in the result. For example, this expression returns an array of one value:

```
dw_1.Object.empname[22,22]
```

Examples

Because the primary buffer and current data are the default, these expressions are all equivalent:

```
dw_1.Object.emp_name[11,20]
dw_1.Object.emp_name.Primary[11,20]
dw_1.Object.emp_name.Current[11,20]
dw_1.Object.emp_name.Primary.Current[11,20]
```

This example resets the emp_name value in rows 11 through 20 to an empty string. Rows 12 to 20 are set to a default value, which may be an empty string:

```
string ls_empty[]
ls_empty[1] = ""
dw_1.Object.emp_name[11,20] = &
    {"", "", "", "", "", "", "", "", "", ""}
```

This statement gets the original emp_name values in rows 11 to 20 and assigns them to elements 1 to 10 in an array of strings:

```
string ls_namearray[]
ls_namearray = dw_1.Object.emp_name.Original[11,20]
```

This statement gets current values of emp_name from rows 5 to 8 in the Filter buffer and assigns them to elements 1 to 4 in an array of strings:

```
string ls_namearray[]
ls_namearray = dw_1.Object.emp_name.Filter[5,8]
```

This statement gets original values of emp_name instead of current values, as shown in the previous example:

```
string ls_namearray[]
ls_namearray = &
dw_1.Object.emp_name.Filter.Original[5,8]
```

This statement gets current values of emp_name from rows 50 to 200 in the delete buffer and assigns them to elements 1 to 151 in an array of strings:

```
string ls_namearray[]
ls_namearray = dw_1.Object.emp_name.Delete[50,200]
```

This statement gets original values of emp_name instead of current values, as shown in the previous example:

```
string ls_namearray[]
ls_namearray = &
    dw_1.Object.emp_name.Delete.Original[50,200]
```

4.3.4 Syntax for a single data item in a DataWindow

Description

A DataWindow data expression accesses a single data item when you specify its row and column number.

Syntax

```
dwcontrol.Object.Data { .buffer } { .datasource } [ rownum, colnum ]
```

Table 4.6:

Parameter	Description
dwcontrol	The name of the DataWindow control or child DataWindow in which you want to get or set data.
buffer (optional)	The name of the buffer from which you want to get or set data. Values are: <ul style="list-style-type: none"> • Primary -- (Default) The data in the primary buffer (the data that has not been deleted or filtered out). • Delete -- The data in the delete buffer (data deleted from the DataWindow control). • Filter -- The data in the filter buffer (data that was filtered out).
datasource (optional)	The source of the data. Values are: <ul style="list-style-type: none"> • Current -- (Default) The current values in the DataWindow control. • Original -- The values that were initially retrieved from the database.
rownum	The row number of the desired item.
colnum	The column number of the desired item. The row and column numbers must be enclosed in brackets and separated by commas.

Return value

The datatype of the expression is Any. The expression returns a single item in the DataWindow control. Its datatype is the datatype of the column.

Examples

These expressions both refer to a single item in row 1, column 2. The expressions access current data in the primary buffer:

```
dw_1.Object.Data[1,2]
dw_1.Object.Data.Primary.Current[1,2]
```

This statement changes the value of the original data to 0 for the item in row 1, column 2 in the Filter buffer. Column 2 holds numeric data:

```
dw_1.Object.Data.Filter.Original[1,2] = 0
```

4.3.5 Syntax for data in a block of rows and columns**Description**

A DataWindow data expression accesses data in a range of rows and columns when you specify the starting and ending row and column numbers.

Syntax

```
dwcontrol.Object.Data { .buffer } { .datasource } [ startrownum, startcolnum,
endrownum, endcolnum ]
```

Table 4.7:

Parameter	Description
dwcontrol	The name of the DataWindow control or child DataWindow in which you want to get or set data.
buffer (optional)	The name of the buffer from which you want to get or set data. Values are: <ul style="list-style-type: none"> • Primary -- (Default) The data in the primary buffer (the data that has not been deleted or filtered out). • Delete -- The data in the delete buffer (data deleted from the DataWindow control). • Filter -- The data in the filter buffer (data that was filtered out).
datasource (optional)	The source of the data. Values are: <ul style="list-style-type: none"> • Current -- (Default) The current values in the DataWindow control. • Original -- The values that were initially retrieved from the database.
startrownum	The number of the first row in the desired range of rows.
startcolnum	The number for the first column in the range.
endrownum	The number of the last row in the range.
endcolnum	The number for the last column in the range. The row and column numbers must be enclosed in brackets and separated by commas.

Return value

The datatype of the expression is Any. The expression returns an array of structures or user objects. There is one structure element or user object instance variable for each column in the designated range. The datatype of each element matches the datatype of the corresponding column. There is one structure or user object in the array for each row in the range of rows.

Usage

When you specify a block, the expression always returns an array and you must assign the result to an array, even if you know there is only one structure in the result.

This expression returns an array of one structure from row 22:

```
dw_1.Object.data[22,1,22,4]
```

This expression returns an array of one value from row 22, column 1:

```
dw_1.Object.data[22,1,22,1]
```

Examples

These statements both refer to data in the first ten rows and first four columns of the DataWindow object in the control dw_1. The primary buffer and current data are the default:

```
dw_1.Object.Data[1,1,10,4]
dw_1.Object.Data.Primary.Current[1,1,10,4]
```

This example gets employee IDs and last names for all the rows in the delete buffer. The IDs and names are the first two columns. It saves the information in a structure, called `str_namelist`, of two elements: an integer called `id` and a string called `lastname`. The structure was defined previously in the Structure painter. The list of IDs and names is then saved in the file `DELETED.TXT`:

```
integer li_fileNum
long ll_deletedrows
str_namelist lstr_namelist[]

ll_deletedrows = dw_1.DeletedCount()
lstr_namelist = &
    dw_1.Object.Data.Delete[1,1, ll_deletedrows,2]

li_fileNum = FileOpen("C:\HR\DELETED.TXT", &
    LineMode!, Write!)
FOR ll_count = 1 to UpperBound(lstr_namelist)
    FileWrite(li_fileNum, &
        String(lstr_namelist.id) + &
        " " + &
        lstr_namelist.lastname + &
        "~r~n")
NEXT
FileClose(li_fileNum)
```

Using the structure from the previous example that holds IDs and last names, this example sets all the IDs and last names in the DataWindow control to null:

```
long ll_n
str_namelist lstr_namelist[]

SetNull(lstr_namelist[1].id)
SetNull(lstr_namelist[1].lastname)

FOR ll_n = 2 to dw_1.RowCount()
    lstr_namelist[ll_n] = lstr_namelist[1]
NEXT

dw_1.Object.Data[1,1, dw_1.RowCount(),2] = lstr_data
```

4.3.6 Syntax for data in a single row or all rows

Description

A DataWindow data expression accesses a single row when you specify the row number. It accesses all the data in the DataWindow control when you omit the row number.

Syntax

```
dwcontrol.Object.Data { .buffer } { .datasource } { [ rownum ] }
```

Table 4.8:

Parameter	Description
dwcontrol	The name of the DataWindow control or child DataWindow in which you want to get or set data.
buffer (optional)	The name of the buffer from which you want to get or set data. Values are: <ul style="list-style-type: none"> Primary -- (Default) The data in the primary buffer (the data that has not been deleted or filtered out).

Parameter	Description
	<ul style="list-style-type: none"> • Delete -- The data in the delete buffer (data deleted from the DataWindow control). • Filter -- The data in the filter buffer (data that was filtered out).
datasource (optional)	<p>The source of the data. Values are:</p> <ul style="list-style-type: none"> • Current -- (Default) The current values in the DataWindow control. • Original -- The values that were initially retrieved from the database.
rownum (optional)	<p>The number of the row you want to access.</p> <p>To access data for all rows, omit rownum.</p> <p>The row number must be enclosed in brackets.</p>

Return value

The datatype of the expression is Any. The expression returns one structure or user object (for a single row) or an array of them (for all rows). There is one structure element or instance variable for each column in the DataWindow object. The datatype of each element matches the datatype of the corresponding column.

Usage

When you omit the row number, the expression always returns an array, and you must assign the result to an array, even if you know there is only one row in the DataWindow control.

Examples

These statements both access current data for row 5 in the primary buffer in the DataWindow object contained in the DataWindow control dw_1:

```
dw_1.Object.Data[5]
dw_1.Object.Data.Primary.Current[5]
```

This example assigns all the data in dw_1 to the Any variable la_dwdata. The value assigned to la_dwdata is an array of data structures whose members match the column datatypes:

```
any la_dwdata
la_dwdata = dw_1.Object.Data
```

This example assigns all the data in the delete buffer for dw_1 to the Any variable la_dwdata:

```
any la_dwdata
la_dwdata = dw_1.Object.Data.Delete
```

This example replaces all the data in the nested report in row 2 with data from dw_2. The columns in the DataWindow object in dw_2 must match the columns in the DataWindow object for the nested report:

```
dw_1.Object.NestRep[2].Object.Data = &
    dw_2.Object.Data
```

4.3.7 Syntax for all data from selected rows

Description

A DataWindow data expression accesses all the data in the currently selected rows when you specify the Data and Selected properties. Selected rows are always in the primary buffer.

Syntax

```
dwcontrol.Object.Data { .Primary } { .datasource }.Selected
```

Table 4.9:

Parameter	Description
dwcontrol	The name of the DataWindow control or child DataWindow in which you want to get or set data.
datasource (optional)	The source of the data. Values are: <ul style="list-style-type: none"> • Current -- (Default) The current values in the DataWindow control. • Original -- The values that were initially retrieved from the database.

Return values

The datatype of the expression is Any. The expression returns an array of structures or user objects. There is one structure element or instance variable for each column in the DataWindow object. The datatype of each element matches the datatype of the corresponding column.

Usage

When you specify selected rows, the expression always returns an array, and you must assign the result to an array even if you know there is only one row selected.

Examples

Because the primary buffer is the only applicable buffer for selected data and current data is the default, these expressions are all equivalent. They access data in the selected rows:

```
dw_1.Object.Data.Selected
dw_1.Object.Data.Primary.Selected
dw_1.Object.Data.Current.Selected
dw_1.Object.Data.Primary.Current.Selected
```

Both these expressions access original values for selected rows:

```
dw_1.Object.Data.Original.Selected
dw_1.Object.Data.Primary.Original.Selected
```

This example takes the values in the selected rows in dw_2 and populates a DropDownDataWindow in dw_1 with the values, replacing existing data in the DropDownDataWindow. The column with the DropDownDataWindow is called useroptions. The columns of the DataWindow object in dw_2 must match the columns of the DataWindow object for the DropDownDataWindow:

```
dw_1.Object.useroptions.Object.Data = &
    dw_2.Object.Data.Selected
```

5 Accessing DataWindow Object Properties in Code

About this chapter

This chapter explains the syntax for constructing expressions that access properties of controls within a DataWindow.

5.1 About properties of the DataWindow object and its controls

This section describes:

- [What you can do with DataWindow object properties](#)
- [Specifying property values in the DataWindow painter](#)
- [Accessing DataWindow object property values in code](#)
- [Using DataWindow expressions as property values](#)
- [Nested strings and special characters for DataWindow object properties](#)

5.1.1 What you can do with DataWindow object properties

The DataWindow object defines the way data is displayed in a DataWindow control. It contains controls that represent the columns, text labels, computed fields, and images.

The properties of the DataWindow object and its controls store the information that specifies the behavior of the DataWindow object. They are not properties of the DataWindow control, but of the DataWindow object displayed in the control.

Terminology

When you are programming for DataWindows, there are several types of expressions involved.

A DataWindow expression is an expression assigned as a value to a DataWindow property and is evaluated by the DataWindow engine. The expression can refer to column data and can have a different value for each row in the DataWindow.

A DataWindow property expression is an expression in your code that gets or sets the value of a DataWindow property. Its effects are equivalent to what the Describe and Modify methods do.

A DataWindow data expression is an expression in your code that gets or sets data in the DataWindow. Its effects are similar to what the SetItem and several GetItem methods do.

Types of values

Property values can be constants or can be DataWindow expressions. DataWindow expressions allow the property value to be based on other conditions in the DataWindow,

including data values. Conditional expressions based on data can give the property a different value for each row.

Getting and setting values

You establish initial values for properties in the DataWindow painter. You can also get and set property values at runtime in code.

There are several techniques for accessing property values. A particular property might be accessible by a subset of those techniques. For example, some properties are read-only at runtime, some can be set only at execution, and some accept only constants (not DataWindow expressions) as values.

For a complete list of properties and the ways you can access each one, see [DataWindow Object Properties](#)

Examples: ways of setting the Border property

This table lists the ways you can access a property, using the Border property as an example:

Table 5.1: Ways to access and change DataWindow object properties

What you can do with properties	How to do it, using the Border property as an example	What happens
Set the initial value of the property in the workspace	Property sheet, General tab, Border box	The Border property takes on the value you set unconditionally. In the Preview view and at runtime, the control has the border you indicated in the workspace unless you set the Border property again in some way.
Specify the value of the property at runtime based on an expression defined for the control in the workspace	Property sheet, General tab, Border box, Expression button	In Preview and at runtime, the border changes as specified in the expression, which overrides the setting on the property sheet. For example, an expression can give the Salary column value a ShadowBox border when the salary exceeds \$70,000. To see the effect in the Preview view, you might need to close Preview and reopen it.
Get the value of the property at runtime in code	Property expression for the Border property or Describe method	Both the expression and the Describe method return the value of the Border property for the specified control.
Change the value of the property at runtime in code	Property expression for the Border property or Modify method	At runtime, the value of the property changes when the code executes. For example, you could code Modify in the Clicked event and change the border of the control the user clicked.

What you can do with properties	How to do it, using the Border property as an example	What happens
Set the initial value of the property at runtime in code for a DataWindow being created	SyntaxFromSQL method	<p>When SyntaxFromSQL executes, the border value of all columns is set in the generated syntax.</p> <p>PowerBuilder</p> <p>SyntaxFromSQL is a method of the Transaction object and is described in the Section 2.4.826, “SyntaxFromSQL” in <i>PowerScript Reference</i>.</p>

5.1.2 Specifying property values in the DataWindow painter

When you specify values in the Properties view of the DataWindow painter, you are setting properties of the DataWindow object and its controls.

Properties for each control

Each control in the DataWindow (columns, text, drawing controls) has its own property sheets, because there are different sets of properties for each object. To access individual property sheets, display the Properties view and then select a control.

If several controls have the same property and you want them all to have the same value, you can select all the controls so that the property sheet shows the properties they have in common. When you change the property value, it is applied to all selected controls.

DataWindow expressions for properties

For many properties, you can specify a DataWindow expression in the Properties view by clicking the Expression button beside the property. At runtime, the expression is evaluated for each row. When the expression includes row-dependent information in the calculation (such as data), each row can have a different value for the property. In the painter, you can see the results in the Preview view. (You might need to close Preview and reopen it if you are not seeing the settings you have made.)

For information about the components of expressions, see [Using DataWindow expression functions](#) and the Part I, “Users Guide”. For examples of expressions, see [Using DataWindow expressions as property values](#).

5.1.3 Accessing DataWindow object property values in code

Two techniques

There are two ways to access property values in a DataWindow object:

- Methods

The Describe and Modify methods use strings to specify the property names. For example:

```
dw_1.Describe("empname.Border")
dw_1.Modify("empname.Border=1")
```

- Expressions

DataWindow property expressions use the Object property and dot notation. For example:

```
dw_1.Object.empname.Border = 1
li_border = Integer(dw_1.Object.empname.Border)
```

In JavaScript, only the Describe and Modify methods are available.

Which technique to use

The technique you use depends on the type of error checking you want to provide and on whether you know the names of the controls and properties you want to access when the script is compiled.

Table 5.2: Error handling in DataWindow property expressions

If you want to	Use
Use column and property names that are known when the script is compiled	An expression
Avoid extra nested tildes (and you know the column and property names you want to access)	An expression
Build a string at runtime that names controls and properties	A method
Use the DWRuntimeError to handle problems with incorrect control or property names	An expression in a try-catch block
Use the Error event to handle problems with incorrect control or property names	An expression and a script for the Error event
Avoid using the Error event (or DWRuntimeError) for handling problems with incorrect control or property names	A method and code that evaluates its return value

5.1.4 Using DataWindow expressions as property values

When a DataWindow object property's value can be an expression, you can make the control's appearance or other properties depend on other information in the DataWindow.

A DataWindow expression can include:

- Operators
- The names of controls within the DataWindow, especially column and computed field names
- DataWindow expression functions. Some functions, such as IsRowNew, refer to characteristics of an individual row
- User-defined functions

Different formats for the expression

When you assign an expression in the painter, you specify just the expression:

```
DataWindowexpression
```

When you assign an expression in code, you specify a default value, a tab, and the expression:

```
defaultvalue [tab] DataWindowexpression
```

Examples

In the painter

This expression for a column called emp_lname is applied to the Background.Color property. It causes the name's background to be light gray (15790320) if the current row (person) uses the day care benefit. If not, the background color is set to white:

```
If(bene_day_care = 'Y', 15790320, 1677215)
```

In code

The expression assigned to the Background.Color property includes a default value. Nested quotes complicate the syntax:

PowerBuilder

```
dw_1.Object.emp_lname.Background.Color = "16777215 ~t If(bene_day_care = 'Y',  
15790320, 16777215)"
```

JavaScript

```
dw_1.Modify("emp_lname.Background.Color = \"16777215 \t If(bene_day_care = 'Y',  
15790320, 16777215)\");
```

5.1.4.1 More examples in the DataWindow painter and in code

These examples illustrate the difference between the format for a DataWindow expression specified in the DataWindow painter versus in code.

Border property

The expression applied to the Border property of the salary_plus_benefits column displays a border around salaries over \$60,000:

```
If(salary_plus_benefits > 60000, 1, 0)
```

This statement changes the expression in code:

```
dw_1.Object.salary_plus_benefits.Border = &  
"0 ~t If(salary_plus_benefits > 60000, 1, 0)"
```

Font.Weight property for a column

To make out-of-state (not in Massachusetts) names and numbers bold in a phone list, apply this expression to the name and phone_number columns. The state column must be part of the data source, but it does not have to be displayed:

```
If(state = 'MA', 400, 700)
```

This statement changes the expression in code:

```
dw_1.Object.name.Font.Weight = &  
"700 ~t If(state = 'MA', 400, 700)"  
dw_1.Object.phone_number.Font.Weight = &
```

```
"700 ~t If(state = 'MA', 400, 700)"
```

Brush.Color property for a rectangle

This expression, applied to a rectangle drawn around all the columns in a tabular report, causes alternate rows to be shaded (a graybar effect). Make sure the columns and computed fields have a transparent background. The expression `Mod(GetRow(), 2) = 1` distinguishes odd rows from even rows:

```
If(Mod(GetRow(), 2) = 1, 16777215, 15790320)
```

This statement changes the expression in code:

```
dw_1.Object.rectangle_1.Brush.Color = &
"0 ~t If(Mod(GetRow(), 2) = 1, 16777215, 15790320)"
```

Brush.Color and Brush.Hatch properties for a rectangle

To highlight employees whose review date is approaching, draw a rectangle behind the row. This expression for the rectangle's `Brush.Color` property makes the rectangle light gray for employees for whom the month of the start date matches the current month or the next month:

```
If(month(start_date) = month(today())
or month(start_date) = month(today()) + 1
or (month(today()) = 12 and month(start_date) = 1), 12632256, 16777215)
```

A similar expression for the `Brush.Hatch` property makes the fill pattern of the rectangle `Bdiagonal (1)` for review dates that are approaching. Otherwise, the rectangle is transparent (`7`) so that it does not show:

```
If(month(start_date) = month(today())
or month(start_date) = month(today()) + 1
or (month(today()) = 12 and month(start_date) = 1), 1, 7)
```

You can also set the `Pen.Color` and `Pen.Style` properties to affect the outline of the rectangle.

If you wanted to change the `Brush.Color` property in code instead of setting it in the painter, the code would look like this:

```
dw_1.Object.rectangle_1.Brush.Color = &
"16777215 ~t " + &
"If(month(start_date) = month(today()) " + &
"or month(start_date) = month(today()) + 1 " + &
"or (month(today()) = 12 " + &
"and month(start_date) = 1), 12632256, 16777215)"
```

Font.Height property for a rectangle

This expression applied to the `Font.Height` property of a text control makes the text control in the first row of a DataWindow larger than it appears in other rows. Make sure the borders of the text control are large enough to accommodate the increased size:

```
If(GetRow() = 1, 500, 200)
```

This statement changes the expression for the text control `t_desc` in code:

```
dw_1.Object.t_desc.Font.Height = &
"200 ~t If(GetRow() = 1, 500, 200)"
```

For more information

For more information about DataWindow expressions, see [DataWindow Operators and Expressions](#)

5.1.5 Nested strings and special characters for DataWindow object properties

DataWindow property values often involve specifying strings within strings. Embedded quotation marks need special treatment so that the strings are parsed correctly. This treatment varies depending on the programming language you are using.

Table 5.3: Specifying property values in different scripting languages

If you are using	See
PowerScript	Nested strings and special characters for DataWindow object properties.
JavaScript	Nested strings and special characters in JavaScript for DataWindow object properties.

5.1.5.1 Nested strings and special characters for DataWindow object properties

Tilde (~) is the escape character that allows you to nest quoted strings within other quoted strings and to specify special characters such as tabs and carriage returns. For DataWindow object properties, several levels of nested strings can create a complicated expression.

Techniques for quoting nested strings

Both double and single quotes are valid delimiters for strings. You can use this fact to simplify the specification of nested strings.

There are two ways to embed a string within another string. You can:

- Use the other type of quotation mark for the nested string. If the main string uses double quotes, the nested string can use single quotes.

```
"If(state='MA',255,0)"
```

- Use the escape character to specify that a quote is part of the string instead the closure of a previous quote.

```
"If(state=~"MA~",255,0)"
```

If the string includes a third level of nested strings, you need to add another tilde which must be accompanied by its own escape character, a second tilde. This is the reason that tildes are usually specified in odd numbers (1, 3, or 5 tildes).

This Modify expression (entered on a single line in code) shows three levels of nested strings:

```
dw_1.Modify(
  "DataWindow.Color = '255 ~t If(state= ~'MA~',255,0)'" )
```

This version of the expression has more tildes because there are no single quotes:

```
dw_1.Modify("DataWindow.Color = ~"255 ~t If(state= ~~~"MA~~~",255,0)~" )
```

Common special characters

Strings can also include special characters, as shown in the previous example. This table lists the special characters that are most often used in DataWindow expressions.

Table 5.4:

Escape sequence	Meaning
~t	Tab
~r	Carriage return
~n	Newline or linefeed
~"	Double quote
~'	Single quote
~~	Tilde

A line break is a carriage return plus a newline (`\r\n`).

Special use of tilde

A special case of specifying tildes involves the `EditMask.SpinRange` property, whose value is two numbers separated by a tilde (not an escape character, simply a tilde). To specify this value in a script, you must use a nested string with four tildes, which is interpreted as a single tilde when parsed:

```
dw_1.Modify("benefits.EditMask.SpinRange='0~~~~10'")
```

More information

For more information about nested strings and special characters, see Part I, “PowerScript Reference”.

5.1.5.2 Nested strings and special characters in JavaScript for DataWindow object properties

Different processing by language and DataWindow

JavaScript uses different characters from those used within the DataWindow to delimit strings and identify special characters. For DataWindow object properties, several levels of nested strings and two types of delimiter can create a complicated expression.

In JavaScript, strings are delimited by double quotes and the escape character in strings is the backslash (`\`). The escape character allows you to include double quotes and special characters within a string. The DataWindow can use either double or single quotes to delimit strings and uses tilde (`~`) as an escape character.

Because some parts of the string are parsed by the language and some by the DataWindow, strings passed to the DataWindow often use both types of escape character. The one to use depends on whether the DataWindow or the external language will evaluate the character. The external language deals with the outer string and converts escape sequences to the corresponding special characters. Nested strings are dealt with by the DataWindow parser.

Guidelines

Observe these guidelines for each type of character:

- Special characters use the language escape character. Tabs, newlines, and carriage returns are `\t`, `\n`, `\r`

- Nested double quotes require the language escape character (\) so they won't be interpreted as the closure of the opening double quote. Depending on the level of nesting, they may also require the DataWindow escape character (~).
- Single quotes for nested strings do not need the language escape character, but depending on the level of nesting they may need the DataWindow escape character.
- Tildes are specified in odd-numbered groups. They do not interact with the language escape character in counting the number of escape characters used.

Examples

Both of these JavaScript examples are valid ways of nesting a string:

```
dw_1.Modify("DataWindow.Crosstab.Values=\"empname\"");
dw_1.Modify("DataWindow.Crosstab.Values='empname'");
```

The following three JavaScript statements specify the same string. They show a string with three levels of nesting using different combinations of escape characters and quote types. In the first example, note the escaping of the inner quote with a tilde for the DataWindow and a backslash for the language:

```
dw_1.Modify("emp_id.Color=\"16777215 \t If (emp_status=~\"A~\",255,16777215)\");
dw_1.Modify("emp_id.Color=\"16777215 \t If (emp_status='A',255,16777215)\");
dw_1.Modify("emp_id.Color='16777215 \t If (emp_status=\"A\",255,16777215)'");
```

The corresponding example in PowerBuilder is:

```
dw_1.Modify("emp_id.Color = ~"16777215 ~t If
(emp_status=~~"A~~",255,16777215)~");
```

Special use of tilde

A special case of specifying tildes involves the EditMask.SpinRange property, whose value is two numbers separated by a tilde (not an escape character, simply a tilde). In code, the value is in a nested string and needs a tilde escape character. The two tildes are interpreted as a single tilde when parsed by the DataWindow:

```
dw_1.modify("benefits.EditMask.SpinRange='0~~10'");
```

5.2 PowerBuilder: Modify and Describe methods for properties

The following sections provide information about using Modify and Describe methods for DataWindow object properties:

- [Advantage and drawbacks of Modify and Describe methods in PowerBuilder](#)
- [Handling errors from Modify and Describe methods in PowerBuilder](#)

5.2.1 Advantage and drawbacks of Modify and Describe methods in PowerBuilder

In PowerBuilder, using the Describe and Modify methods to access DataWindow object property values has an advantage and some drawbacks. The examples here use Modify as illustrations, but similar considerations apply to Describe.

Advantage

Allows you to specify column and property names dynamically

In your script, you can build a string that specifies the column and property names.

For example, the following code builds a string in which the default color value and the two color values in the If function are determined in the script. Notice how the single quotes around the expression are included in the first and last pieces of the string:

```
red_amount = Integer(sle_1.Text)
modstring = "emp_id.Color='" + &
    String(RGB(red_amount, 0, 0)) + &
    "~tIf(emp_status=~'A~'," + &
    String(255, 0, 0)) + &
    "," + &
    String(255, 0, 0)) + &
    "'"
Modify(modstring)
```

The resulting string when red_amount is set to 128 is:

```
emp_id.Color='128~tIf(emp_status=~'A~',255,128)'
```

The following is a simpler example without the If function. You do not need quotes around the value if you are not specifying an expression. Here the String and RGB functions result in a constant value in the resulting modstring:

```
Modify(ls_columnname + ".Color=" + &
    String(255, 255, 255))
```

Drawbacks

Setting several properties at once is possible but hard to debug

Although you can set several properties in a single method call, it is harder to understand and debug scripts that do so.

For example, assume the following is entered on a single line in the script editor:

```
rtn = dw_1.Modify("emp_id.Font.Italic=0
oval_1.Background.Mode=0
oval_1.Background.Color=255")
```

Less efficient than an expression

Using a DWOBJECT variable in several property expressions is a little more efficient than setting several properties in a single call to Describe or Modify. However, if you want to be able to name controls dynamically, you might still choose to use Describe or Modify.

For examples of using a DWOBJECT variable, see [Using the DWOBJECT variable in PowerBuilder](#).

Can require complex quoted strings

When you specify an expression for a property value, it is difficult to specify nested quotes correctly -- the code is hard to understand and prone to error. For Describe, this is less of a drawback -- strings do not become as complex because they do not include an expression.

For example, this string entered on a single line in a script assigns a DataWindow expression to the Color property:

```
Modify("emp_id.Color=~"16777215 ~t  
If(emp_status=~~"A~~~",255,16777215)~")
```

For more information about quoted strings, see [Nested strings and special characters for DataWindow object properties](#).

5.2.2 Handling errors from Modify and Describe methods in PowerBuilder

In PowerBuilder, no runtime error occurs when Describe and Modify try to access invalid controls or properties in the DataWindow object. The validity of the argument string is evaluated before the controls are accessed.

Modify

When the string that specifies the control and property to be accessed is invalid, Modify returns an error string, instead of the expected value, such as:

```
Line 1 Column 12: incorrect syntax.
```

You can use the error message to figure out what part of the string is incorrect. This is most useful when you are testing your scripts. The error message, which names the line and column number after which the string was not recognized, might not be helpful after your application is deployed.

Describe

When the string for Describe has an unrecognized property, Describe's return value ends with an exclamation point (!). Describe returns as many values as it recognizes up to the incorrect one.

When you specify a valid property but that property doesn't have a value (either because it hasn't been set or because its value is an expression that can't be evaluated), Describe returns a question mark (?) for that property. The property's actual value is null.

Always check for errors

You should include error-checking code that checks for these return values. Other errors can occur later if you depend on settings that failed to take effect.

For more information

For more information on syntax and usage, see Describe and Modify in [Methods for the DataWindow Control](#)

5.3 PowerBuilder: DataWindow property expressions

In PowerBuilder, DataWindow property expressions use dot notation. These sections explain how to use the expressions and what syntax to use to construct them:

- [Basic structure of DataWindows and property expressions in PowerBuilder](#)
- [Datatypes of DataWindow property expressions in PowerBuilder](#)
- [Using the DWObject variable in PowerBuilder](#)
- [When a DataWindow property expression is evaluated in PowerBuilder](#)

- [Handling errors from DataWindow property expressions in PowerBuilder](#)
- [PowerBuilder syntax for DataWindow property expressions](#)

5.3.1 Basic structure of DataWindows and property expressions in PowerBuilder

Controls in a DataWindow

A DataWindow object is made up of many controls (such as Columns, Text, Pictures, and Reports). In PowerBuilder scripts, the datatype of these controls is DWObject. Each DWObject has a set of properties according to its type. The syntax of a property expression allows you to address any of these properties.

Object property

A DataWindow property expression uses the Object property of the DataWindow control to access the DataWindow object. Following the Object property, you specify a control name and one or more properties.

The simple syntax is:

```
dwcontrol.Object.dwcontrolname.property
```

For example:

```
dw_1.Object.empname.Resizeable
```

For the full syntax, see [PowerBuilder syntax for DataWindow property expressions](#).

About DataWindow data expressions

Expressions that access data in a DataWindow object using dot notation use the Object and Data properties. These expressions are called data expressions (in contrast to property expressions); because of the intricate syntax for data expressions, they are described separately, in [Accessing Data in Code](#).

5.3.2 Datatypes of DataWindow property expressions in PowerBuilder

DataWindow property values

The values of DataWindow object properties are strings. These strings can contain numeric or yes/no values, but the values you access are strings, not integers or boolean values.

Although the property values are really strings, the PowerScript compiler allows you to assign numbers and boolean values to properties whose strings represent numeric values or contain yes/no strings. This does not mean the datatype is integer or boolean. It is just a convenience when assigning a value to the property.

For example, both of these statements are correct:

```
dw_1.Object.empname.Border = 1  
dw_1.Object.empname.Border = '1'
```

DataWindow property expressions

In PowerBuilder, the datatype of a property expression is Any (not string), but the value of the data in the Any variable is a string. This may sound like an unnecessary distinction, but

it does matter when you use a property expression as a method argument. If the method does not accept an Any variable as an argument, you might need to use the String function to cast the data to the correct datatype.

For example, because the MessageBox function accepts a string argument not an Any datatype, the property expression is enclosed in a String conversion function:

```
MessageBox("Border", & String(dw_1.Object.empname.Border))
```

5.3.3 Using the DWOBJECT variable in PowerBuilder

A PowerBuilder DWOBJECT object is an object that exists within a DataWindow object. Each column, computed field, text control, or drawing control is a DWOBJECT.

A DWOBJECT reference allows you to refer directly to controls within a DataWindow.

You can use a DWOBJECT variable to simplify DataWindow property and data expressions. A DWOBJECT variable takes the place of several elements of the control's dot notation.

The following syntaxes and examples show how using a DWOBJECT variable affects property and data expressions.

Property expressions

The simple syntax for a property expression is:

```
dwcontrol.Object.dwcontrolname.property
```

You can use a DWOBJECT variable to refer to dwcontrolname.

If the code declares a DWOBJECT variable and assigns the control within the DataWindow to the variable, using syntax like this:

```
DWOBJECT dwobjectvar  
dwobjectvar = dwcontrol.Object.dwcontrolname
```

the syntax of the expression itself becomes:

```
dwobjectvar.property
```

For example, if the DataWindow had a column named empname, a text control named t_emplabel, and a computed field named cf_average, you could make the following assignments:

```
DWOBJECT dwo_column, dwo_text, dwo_compute  
dwo_column = dw_1.Object.empname  
dwo_text = dw_1.Object.t_emplabel  
dwo_compute = dw_1.Object.cf_average
```

Data expressions

You can use a DWOBJECT variable to refer to a column in a data expression. For example, this syntax gets data for a single row and column:

```
dwcontrol.Object.columnname { .buffer } { .datasource } [ rownum ]
```

If the code declares a DWOBJECT variable and assigns the control within the DataWindow to the variable, using syntax like this:

```
DWOBJECT dwobjectvar  
dwobjectvar = dwcontrol.Object.columnname
```

The syntax of the expression itself becomes:

```
dwobjectvar. { .buffer } { .datasource } [ rownum ]
```

5.3.3.1 DWOBJECT variables in PowerBuilder

In PowerBuilder, you can get better performance by using a DWOBJECT variable to resolve the object reference in a DataWindow property or data expression. Evaluating the reference once and reusing the resolved reference is more efficient than fully specifying the object reference again.

This technique yields the most benefit if your application uses compiled code or if you are using a DataWindow expression in a loop.

For example, this code is not optimized for best performance, because the fully specified data expression within the loop must be resolved during each pass:

```
integer li_data
FOR li_cnt = 1 to 100
    li_data = dw_1.Object.emp_salary[li_cnt]
    .. // Code to process data value
NEXT
```

This code has been optimized. The reference to the control within the DataWindow (emp_salary) is resolved once before the loop begins. The reference stored in the DWOBJECT variable is reused repeatedly in the loop:

```
integer li_data
DWOBJECT dwo_empsalary

dwo_empsalary = dw_1.Object.emp_salary

FOR li_cnt = 1 to 100
    li_data = dwo_empsalary.Primary[li_cnt]
    .. // Code to process data value
NEXT
```

PowerBuilder DWOBJECT versus data

In a data expression for a column that refers to one item, the brackets for the row index identify the expression as a data expression (for information, see [Syntax for one or all data items in a named column](#)). However, if you assign the column control to a DWOBJECT variable, the brackets incorrectly signify an array of objects. Therefore you must include a buffer name or data source to specify that you want data:

```
dw_1.Object.emp_salary[1] //Single data item
DWOBJECT dwo_empsalary
dwo_empsalary = dw_1.Object.emp_salary
dwo_empsalary[1] // Incorrect: array of DWOBJECT
dwo_empsalary.Primary[1] // Single data item
```

5.3.3.2 DWOBJECT arguments for DataWindow events in PowerBuilder

In PowerBuilder, several DataWindow events pass a DWOBJECT argument called dwo to the event script. The value is a resolved reference to a control within the DataWindow having something to do with the user's action that triggered the event. Often it is the column the user is changing or the control the user clicked.

What type of DWObject?

You can use DataWindow properties to find out more about the control stored in dwo. The first step is to find out the control's type so that subsequent statements will use properties that are appropriate for the control type. If an expression uses a property that does not correspond to the control's type, it will trigger the Error event. This statement in an event script gets the type:

```
ls_type = dwo.Type
```

The possible values that can be assigned to ls_type are:

bitmap (for Picture)

button

column

compute (for Computed Field)

graph

groupbox

line

ole

ellipse (for Oval)

rectangle

roundrectangle

report

tableblob

text

datawindow (when the user doesn't click a specific control)

You can write a CHOOSE CASE statement for the expected types.

After you have determined the type, you can get more details about the specific control.

Examples

If the control is a column, you can get the column name with this statement:

```
ls_name = dwo.Name
```

If the control is a column, you can get data from the whole column or from specific rows. You must specify the buffer from which you want to retrieve data. In this statement, row is another argument passed to the event so the value in ls_data is the data in the row and column the user clicked. In this example, if the column value is not a string, an error occurs (check ColType property to get the column datatype):

```
ls_data = dwo.Primary[row]
```

This statement assigns a new value to the row and column the user clicked. The assignment does not trigger the ItemChanged event and bypasses validation. If the column is not numeric, an error occurs:

```
dwo.Primary[row] = 41
```

This statement gets all the data in the column the user clicked. The data is stored as an array in the Any variable. An Any variable can hold all datatypes, so no error occurs:

```
Any la_data
```



```
la_data = dwo
```

This statement gets data in the column from selected rows. The data is stored as an array in the Any variable:

```
Any la_data
la_data = dwo.Selected
```

5.3.4 When a DataWindow property expression is evaluated in PowerBuilder

In PowerBuilder, expressions that refer to DataWindow object properties and data are not verified until your application runs.

No compiler checking

When your script is compiled, PowerBuilder does not verify the parameters of the expression that follow the Object property. Your application can select the DataWindow object in a DataWindow control at runtime without invalidating the compiled script.

Potential execution errors

If the datatype of the expression is not compatible with how the expression is used, or if the specified rows or columns do not exist, then an error will occur at runtime.

You can handle the error by surrounding the expression in a try-catch block or by writing a script for the DataWindow Error event.

5.3.5 Handling errors from DataWindow property expressions in PowerBuilder

What causes errors

In PowerBuilder, an invalid DataWindow property expression causes a runtime error in your application. A runtime error causes the application to terminate unless you catch the error in a runtime error handler or unless there is a script for the Error event.

Table 5.5: Conditions that invalidate DataWindow property expressions

Conditions that cause errors	Possible causes
Invalid names of controls within the DataWindow object	Mistyping, which the compiler does not catch because it does not evaluate the expression. A different DataWindow object has been inserted in the control and it has different columns and controls.
A property is not valid for the specified control	Mistyping. The control is a different type than expected.

You can prevent the application from terminating by handling the error in the DataWindow control's Error event or by catching the error in a try-catch block.

Responding to errors in the Error event script

The Error event's arguments give you several options for responding to the error. You choose a course of action and set the action argument to a value of the ExceptionAction enumerated datatype.

ExceptionAction enumerated datatype

If you give the action argument a value other than `ExceptionIgnore!`, you will prevent error-handling code in try-catch blocks from executing. For more information on values for the `ExceptionAction` enumerated datatype, see the Error event description in the Section 2.3.47, "Error" in *PowerScript Reference*.

If you are trying to find out a property value and you know the expression might cause an error, you can include code that prepares for the error by storing a default value in an instance variable. Then the Error event script can return that value in place of the failed expression.

There are three elements to this technique: the declaration of an instance variable, the script that sets the variable's default value and then accesses a `DataWindow` property, and the Error event script. These elements are shown in Example 2 below.

Responding to errors in a try-catch block

You can prevent the application from terminating by handling the `DataWindow` runtime error (`DWRuntimeError`) in a try-catch block. If you are trying to find out a property value and you know the expression might cause an error, you can include code that automatically assigns a valid default value that can be substituted for the failed expression, as in Example 2 below.

Examples

Example 1

This code displays complete information about the error in a multilineedit `mle_1`.

The error event script:

```
mle_1.text = &
  "error#: " + string(errornumber) + "~r~n" + &
  "text: " + errortext + "~r~n" + &
  "parent: " + errorwindowmenu + "~r~n" + &
  "object: " + errorobject + "~r~n" + &
  "line: " + string(errorline) + "~r~n"
action = ExceptionIgnore!
```

The try-catch block:

```
Try    ... //DataWindow property expression
Catch (DWRuntimeError myExc)
  mle_1.text = &
    "error#: " + string(myExc.number) + "~r~n" +&
    "text: " + myExc.text + "~r~n" + &
    "script: " + myExc.routinename + "~r~n" + &
    "object: " + myExc.objectname + "~r~n" + &
    "line: " + string(myExc.line) + "~r~n"
End Try
```

If the correct evaluation of the expression is not critical to the application, the application continues without terminating.

Example 2

This example provides a return value that will become the expression's value if evaluation of the expression causes an error.

There are three elements to code in the error event script. The instance variable is a string:

```
string is_dwvalue
```

This script for a button or other control stores a valid return value in an instance variable and then accesses a DataWindow property:

```
is_dwvalue = "5"
ls_border = dw_1.Object.id.Border
```

The Error event script uses the instance variable to provide a valid return value:

```
action = ExceptionSubstituteReturnValue!
returnvalue = is_dwvalue
```

The try-catch block:

```
try ls_border = dw_1.Object.id.Border
catch (DWRuntimeError myDWEError)
    ls_border = "5"
end try
```

At runtime, if the id column does not exist or some other error occurs, then the expression returns a valid border value -- here the string "5". If you are using the Error event instead of a try-catch block, you must first store the value in an instance variable.

5.3.6 PowerBuilder syntax for DataWindow property expressions

The following sections describe syntax for property expressions:

- [Basic syntax for DataWindow property expressions in PowerBuilder](#)
- [Syntax for nested objects in DataWindow property expressions in PowerBuilder](#)

5.3.6.1 Basic syntax for DataWindow property expressions in PowerBuilder

Description

DataWindow property expressions in PowerBuilder use dot notation to specify the controls and properties that you want to access.

Syntax

```
dwcontrol.Object.dwcontrolname { .property } .property { = value }
```

Table 5.6:

Argument	Description
dwcontrol	The name of the DataWindow control or child DataWindow in which you want to get or set properties.
Object	Object indicates that subsequent elements refer to the DataWindow object within dwcontrol.
dwcontrolname	<p>control within the DataWindow object. Possible values are DataWindow (for properties that apply to the whole DataWindow) or the name of a column, computed field, graph, line, oval, picture, rectangle, roundrectangle, report, TableBlob, or text control.</p> <p><i>Nested DataWindow objects</i></p> <p>If dwcontrolname is a column with the DropDownDataWindow style, a report, or an OLE Object control, you can specify another Object keyword and dwcontrolname to refer to properties of controls within the nested</p>

Argument	Description
	<p>DataWindow object. You can specify Object.dwobjectname as many times as needed to refer to a deeply nested report.</p> <p>For nested syntax, see Syntax for nested objects in DataWindow property expressions in PowerBuilder.</p>
property	<p>A property that applies to dwcontrolname. If the property requires additional qualifying properties, list the additional properties, separating them with a dot.</p> <p>For lists of applicable properties, see the Property tables at the beginning of DataWindow Object Properties</p>
value	<p>A string whose value is to be assigned to the property.</p> <p>If the property value is a number, value can either be a string whose value is a number or a numeric datatype. The value is stored as a string.</p> <p>If the property value is a yes or no value, value can be either a string whose value is "yes" or "no" or a boolean value (true or false). The value is stored as "yes" or "no" strings.</p> <p>If the property value can be an expression, then value can be a string that takes the form:</p> <pre>defaultvalue~t DataWindowexpression</pre> <p>where:</p> <ul style="list-style-type: none"> • Defaultvalue is any value that is allowed for property. • DataWindowexpression is an expression that can include names of controls in the DataWindow and DataWindow expression functions. • Defaultvalue and DataWindowexpression are separated by a tab character (~t). <p>For examples of DataWindow expressions, see Using DataWindow expressions as property values.</p>

Datatype

Any. The datatype of the expression is Any, but actual data is a string.

For more information about the expression's datatype, see [Datatypes of DataWindow property expressions in PowerBuilder](#).

Examples

Example 1 Boolean property values

In this statement, the boolean value false is stored as the string "no":

```
dw_1.Object.DataWindow.ReadOnly = false
```

This statement displays the value of the ReadOnly property (either "yes" or "no") in the StaticText st_status:

```
st_status.Text = dw_1.Object.DataWindow.ReadOnly
```

When you test the value of a property in a relational expression, you must compare your test value to the stored values. For ReadOnly, stored values are yes or no, not boolean true or false:

```
IF dw_1.Object.DataWindow.ReadOnly = 'yes' THEN
```

This statement fails because the expression is not boolean:

```
IF dw_1.Object.DataWindow.ReadOnly THEN // Not valid
```

Example 2

Valid values for the Visible property are 0 and 1. You can set the property to numbers, yes and no, or true and false. Therefore, these three statements are equivalent:

```
dw_1.Object.street.Visible = false  
dw_1.Object.street.Visible = "NO"  
dw_1.Object.street.Visible = 0
```

Example 3

This example tests whether the X property contains a constant (which can be converted to a number) or a DataWindow expression. The code assigns a default value of 50 to the variable `li_x`, which remains the value if the property contains an expression the script cannot convert:

```
integer li_x  
IF IsNumber( dw_1.Object.id.X ) THEN  
    li_x = Integer( dw_1.Object.id.X )  
ELSE  
    li_x = 50  
END IF
```

Example 4

This script sets the X property to a DataWindow expression. The expression causes IDs with values less than 10 to be indented:

```
string modstring, ls_x  
ls_x = "50"  
modstring = ls_x + "~t" + &  
    "If(id > 10, " + ls_x + ", " + &  
    String(li_x + 20 ) + ") "  
dw_1.Object.id.X = modstring
```

Example 5

This example makes three columns updatable and reports the value of the Update property in the StaticText `st_status`. The reported value is "yes", not true:

```
dw_1.Object.id.Update = true  
dw_1.Object.street.Update = true  
dw_1.Object.last_name.Update = true  
  
st_status.Text = &  
    "Updateable: id " + dw_1.Object.id.Update + &  
    ", street " + dw_1.Object.street.Update + &  
    ", last_name " + dw_1.Object.last_name.Update
```

Example 6

This example checks whether the id column is set up as a spin control. If so, it sets the spin range to 0 through 10:

```
IF dw_1.Object.id.EditMask.Spin = "yes" THEN
    dw_1.Object.id.EditMask.SpinRange = "0~~~10"
END IF
```

5.3.6.2 Syntax for nested objects in DataWindow property expressions in PowerBuilder

Description

In PowerBuilder, DataWindow property expressions use additional Object keywords to refer to nested objects. Nested objects include composite or related nested reports and child DataWindows associated with DropDownDataWindow columns. Related nested and composite reports can include their own nested objects. You can extend the dot notation to refer to any level of nesting.

Syntax

```
dwcontrol.Object.nestedcontrolname { [row ] } .Object.dwcontrolname.
    property { .property } { = value }
```

Table 5.7:

Argument	Description
dwcontrol	The name of the DataWindow control or child DataWindow in which you want to get or set properties.
Object	The Object keyword indicates that subsequent elements refer to the DataWindow object within dwcontrol.
nestedcontrolname	The name of a DropDownDataWindow column, nested report, or OLE Object control within the DataWindow object in dwcontrol. <i>About nested reports</i> A nested report can be one of a group of reports in the Composite presentation style or a nested report included in a base report, which is associated with a specific row.
row	When nestedcontrolname is a nested report in a base report, the number of the row the report is associated with If the report is in a band other than the detail band, it is still associated with a row (see Usage below).
dwcontrolname	The name of a control within the nested DataWindow object. Possible values are DataWindow (for properties that apply to the whole DataWindow) or the name of a Button, Column, Computed field, Graph, GroupBox, Line, Oval, Picture, Rectangle, RoundRectangle, Report, TableBlob, or Text control. If dwcontrolname is a column with the DropDownDataWindow style, a Report control, or an OLE Object control, you can specify an additional Object keyword and dwcontrolname to refer to properties of controls within the nested DataWindow object. You can specify Object.dwcontrolname as many times as needed to refer to a control in a deeply nested DataWindow object.
property	A property that applies to dwcontrolname. If the property requires additional qualifying properties, list the additional properties, separating them with a dot. For lists of applicable properties, see the Property tables in DataWindow Object Properties

Argument	Description
value	A string whose value is to be assigned to the property For more information, see Basic syntax for DataWindow property expressions in PowerBuilder .

Datatype

Any. The datatype of the expression is Any, but the actual data is a string.

For more information about the expression's datatype, see [Datatypes of DataWindow property expressions in PowerBuilder](#).

Usage

A nested report within a base report is usually in the detail band, and each instance of the report is associated with a row. The property expression must include a row number to identify which report to access. If the nested report is in a band other than detail, there may be only one or a few instances of the report, but it is still associated with a row. The expression must include a row number that has an instance of the report.

The following table lists the band and the row that is associated with the report:

Table 5.8:

If the report is in this band	This row is associated with the report
detail	The specified row.
header	The first row on the page. On screen, this is the first row visible in the DataWindow body.
footer	The last row on the page. On screen, this is the last row visible in the DataWindow body.
header.n (group header)	The first row of the group (where n is the group number).
trailer.n (group trailer)	The last row of the group (where n is the group number).
summary	The last row in the report.

Examples

Example 1

Suppose that a DataWindow has the Composite presentation style and includes a report called rpt_employee. The report includes a column emp_id. This expression gets the validation expression for the column:

```
string ls_valid
ls_valid = dw_composite.Object.rpt_employee.&
    Object.emp_id.Validation
```

Example 2

In a Composite DataWindow, one of the reports rpt_1 has a graph gr_1. This example turns on grid lines for the category axis of that graph. The example sets an instance variable

to a default value of "not found". If the expression fails and triggers the Error event, the `ExceptionSubstituteReturnValue!` action causes the text "not found" to be returned so that the second assignment succeeds:

```
is_dwvalue = "not found"
dw_1.Object.rpt_1.Object.&
    gr_1.Category.MajorGridline = 5
st_status.Text = dw_1.Object.rpt_1.Object.&
    gr_1.Category.MajorGridline
```

The script for the Error event includes these lines:

```
action = ExceptionSubstituteReturnValue!
returnvalue = is_dwvalue
```

Example 3

Suppose that a DataWindow called `dw_emp` is a base report with employee information. The detail band includes a nested report of salary history called `rpt_salary`. This means there is a separate report with its own properties in each row.

The script checks whether the employee belongs to management (the value in the rank column in the base report is M). If so, the script assigns a DataWindow expression to the Color property of the salary column in the `rpt_salary` nested report. The expression highlights salaries that are over \$60,000 in red.

Another statement sets the salary column's Mode property so the color change will be visible:

```
integer li_row
FOR li_row = 1 to RowCount( )
    IF dw_emp.Object.rank.Primary[li_row] = "M" THEN

        dw_emp.Object.rpt_salary[li_row].Object.&
            salary.Background.Color = &
                '255 ~t If(salary > 60000, 255, 0)!'

        dw_emp.Object.rpt_salary[li_row].Object.&
            salary.Background.Mode = 0

    END IF
NEXT
```

Example 4

In this example there is a graph in the summary band of a base report called `dw_emp`. The graph is a nested report called `rpt_graph_salaries`. Although the graph is not related to a particular row, you still need to provide the row number associated with the summary band when you refer to its properties. This statement turns on autoscaling for the values axis:

```
dw_emp.Object.rpt_graph_salaries.Object.&
    gr_1.Values.AutoScale = 1
```

Example 5

If a column has a DropDownDataWindow edit style, there are properties that affect the column's appearance. Using nested object syntax, you can also change properties of the child DataWindow for the column. In this example, the DataWindow `dw_gift` allows a clerk at a nonprofit organization to record donations. The clerk can pick a standard donation amount from a drop-down DataWindow.

This example makes the drop-down DataWindow column called amount a required value and changes the display format for the dollars column in the child DataWindow:

```
dw_gift.Object.amount.dddw.Required = "Yes"  
dw_gift.Object.amount.Object.dollars.Format = "$#,##0"
```

5.4 JavaScript: Modify and Describe methods for properties

In JavaScript, you can get and set DataWindow properties with the Describe and Modify methods. Property expressions and DWOBJECT variables are not supported.

These sections describe how to use Modify and Describe in JavaScript:

- [Advantage and drawbacks of the Modify and Describe methods in JavaScript](#)
- [Handling errors for Modify and Describe methods in JavaScript](#)

5.4.1 Advantage and drawbacks of the Modify and Describe methods in JavaScript

In JavaScript, using the Describe and Modify methods to access DataWindow property values has advantages and drawbacks. The examples here use Modify as illustrations, but similar considerations apply to Describe.

Advantage

You can specify column and property names dynamically

In your script, you can build a string that specifies the column and property names.

For example, the following code builds a string in which the default color value and the two color values in the If function are determined in the script. Notice how the single quotes around the expression are included in the first and last pieces of the string:

```
red_amount = parseInt(text_1.value);  
if (red_amount >= 0 and red_amount < 256) {  
    modstring = "emp_id.Color='"  
    + text_1.value  
    + "\t If(emp_status=~'A~',"  
    + 255  
    + ","  
    + text_1.value  
    + "'";  
dw_1.Modify(modstring)
```

The resulting string when red_amount is set to 128 is:

```
emp_id.Color='128\tIf(emp_status=~'A~',255,128)'
```

The following is a simpler example without the If function. The Color property for the column specified in ls_columnname is set to a constant value. You do not need quotes around the value if you are not specifying an expression:

```
dw_1.Modify(ls_columnname + ".Color=255");
```

Drawbacks

Setting several properties at once is possible but hard to debug

Although you can set several properties in a single method call, it is harder to understand and debug scripts that do so.

For example, the code for setting three properties is not too complex because there are no nested strings:

```
rtn = dw_1.Modify("emp_id.Font.Italic=0  
oval_1.Background.Mode=0  
oval_1.Background.Color=255");
```

Complex quoted strings are sometimes required

When you specify an expression for a property value, it is difficult to specify nested quotes correctly -- the code is hard to understand and prone to error. For Describe, this is less of a drawback -- strings will not become as complex because they do not include an expression.

For example, this string entered on a single line in a script assigns a DataWindow expression to the Color property:

```
Modify("emp_id.Color=\"16777215 \t  
If(emp_status=~\"A~\",255,16777215)\");
```

For more information about quoted strings, see Section 1.2.1, “Standard datatypes” in *PowerScript Reference*.

5.4.2 Handling errors for Modify and Describe methods in JavaScript

In all environments, including JavaScript, no runtime error occurs when Describe and Modify try to access invalid controls or properties in the DataWindow object. The validity of the argument string is evaluated before the controls are accessed.

Modify

When the string that specifies the control and property to be accessed is invalid, Modify returns an error string, instead of the expected value, such as:

```
Line 1 Column 12: incorrect syntax.
```

You can use the error message to figure out what part of the string is incorrect. This is most useful when you are testing your scripts. The error message, which names the line and column number after which the string was not recognized, may not be helpful after your application is deployed.

Describe

When the string for Describe has an unrecognized property, Describe's return value ends with an exclamation point (!). It will return as many values as it recognizes up to the incorrect one.

When you specify a valid property but that property doesn't have a value (either because it hasn't been set or because its value is an expression that can't be evaluated), Describe returns a question mark (?) for that property. The property's actual value is null.

Always check for errors

You should include error-checking code that checks for these return values. Other errors can occur later if you depend on settings that failed to take effect.

For more information

For more information on syntax and usage, see Describe and Modify in [Methods for the DataWindow Control](#).

6 DataWindow Constants

About this chapter

This chapter lists the PowerBuilder enumerated datatypes that provide constants for setting DataWindow property values.

6.1 About DataWindow constants

About constants

This section lists the constants that are defined in the DataWindow control for values of properties and arguments for methods. Constants have both a name and a numeric value.

What values to use

PowerBuilder

In PowerBuilder, constants are defined as sets of values associated with enumerated datatypes. Values for enumerated datatypes always end with an exclamation point. When an enumerated datatype is specified as the datatype, you must use the enumerated value. You cannot use the numeric equivalent.

```
dw1.BorderStyle = StyleRaised!
```

JavaScript

In JavaScript, you must use the numeric value. The named values are not available.

DataWindow object properties

When setting DataWindow properties in PowerBuilder, you use the numeric value in quoted strings.

How this section is organized

This section lists the values according to the PowerBuilder enumerated datatypes, so you can see which values are available for setting a particular type of data. If you know a value's name but not the enumerated datatype it belongs to, you can find the value in the index of this book.

6.2 Alphabetical list of DataWindow constants

This section groups DataWindow constants according to enumerated datatype.

Table 6.1:

Enumerated datatype
AccessibleRole
Alignment
Band
Border
BorderStyle
CharSet
DWBuffer

Enumerated datatype
DWConflictResolution
DWItemStatus
FillPattern
grColorType
grDataType
grObjectType
grObjectType
LineStyle
MetaDataType
RichTextToolbarActivation
RowFocusInd
SaveAsType
SQLPreviewFunction
SaveMetaData
SQLPreviewType
WebPagingMethod

6.3 AccessibleRole

Description

Values for specifying the AccessibleRole property for DataWindows and controls in DataWindows.

Values

Use the numeric values with the AccessibleRole DataWindow object property

Table 6.2:

PowerBuilder enumerated value	Numeric value
DefaultRole!	0
TitleBarRole!	1
MenuBarRole!	2
ScrollBarRole!	3
GripRole!	4
SoundRole!	5
CursorRole!	6
CaretRole!	7
AlertRole!	8
WindowRole!	9
ClientRole!	10

PowerBuilder enumerated value	Numeric value
MenuPopupRole!	11
MenuItemRole!	12
ToolTipRole!	13
ApplicationRole!	14
DocumentRole!	15
PaneRole!	16
ChartRole!	17
DialogRole!	18
BorderRole!	19
GroupingRole!	20
SeparatorRole!	21
ToolBarRole!	22
StatusBarRole!	23
TableRole!	24
ColumnHeaderRole!	25
RowHeaderRole!	26
ColumnRole!	27
RowRole!	28
CellRole!	29
LinkRole!	30
HelpBalloonRole!	31
CharacterRole!	32
ListRole!	33
ListItemRole!	34
OutlineRole!	35
OutlineItemRole!	36
PageTabRole!	37
PropertyPageRole!	38
IndicatorRole!	39
GraphicRole!	40
StaticTextRole!	41
TextRole!	42
PushButtonRole!	43
CheckButtonRole!	44
RadioButtonRole!	45

PowerBuilder enumerated value	Numeric value
ComboBoxRole!	46
DropListRole!	47
ProgressBarRole!	48
DialRole!	49
HotkeyFieldRole!	50
SliderRole!	51
SpinButtonRole!	52
DiagramRole!	53
AnimationRole!	54
EquationRole!	55
ButtonDropDownRole!	56
ButtonMenuRole!	57
ButtonDropDownGridRole!	58
WhiteSpaceRole!	59
PageTabListRole!	60
ClockRole!	61
SplitButtonRole!	62
IPAddressRole!	63
OutlineButtonRole!	64

6.4 Alignment

Description

Values for specifying the alignment of text in DataWindow columns or text controls.

Values

Use the numeric values with the Alignment DataWindow object property.

Table 6.3:

PowerBuilder enumerated value	Numeric value	Meaning
Left!	0	Text is left aligned.
Right!	1	Text is right aligned.
Center!	2	Text is centered.
Justify!	3	Wrapped text is justified. The last line of text is not stretched to fill the area. So for a single line of text, justified alignment will appear to have no effect.

See also

[Alignment](#)

6.5 Band

Description

Values identifying the band containing the insertion point in a DataWindow control.

In PowerBuilder, band values are returned by the Position method for a RichTextEdit DataWindow.

Values

Table 6.4:

PowerBuilder enumerated value	Numeric value	Meaning
Detail!	0	The detail band
Header!	1	The header band
Footer!	2	The footer band

6.6 Border

Description

Values identifying the border style for a column in a DataWindow.

Used in the GetBorderStyle and SetBorderStyle methods and the Border property for DataWindow columns.

Values

Table 6.5:

PowerBuilder enumerated value	Numeric value	Meaning
NoBorder!	0	No border.
ShadowBox!	1	Each data value is in a box that has a drop shadow
Box!	2	Each data value is surrounded by a rectangular border with no shading
ResizeBorder!	3	The column is resizable; the user can grab the border around any data value and drag it
Underline!	4	Each data value in the column is underlined
Lowered!	5	Each data value has a 3D border with shading to make it look lowered
Raised!	6	Each data value has a 3D border with shading to make it look raised

See also

[Border](#)

[GetBorderStyle](#)

[SetBorderStyle](#)

6.7 BorderStyle

Description

Values for specifying the border style of the DataWindow control.

PowerBuilder only. Used for the Border property of the DataWindow control.

Values

Table 6.6:

PowerBuilder enumerated value	Numeric value	Meaning
StyleBox!	2	The DataWindow control is surrounded by a rectangular box without any shading
StyleLowered!	5	The control has a 3D border with shading to make it look lowered
StyleRaised!	6	The control has a 3D border with shading to make it look raised
StyleShadowBox!	1	The control has a rectangular border with a drop shadow

See also

[Border](#)

6.8 CharSet

Description

Values for specifying the character set used in the DataWindow.

Generally, the value for CharSet is derived from the font selected for controls within the DataWindow.

Values are used with the Font.CharSet DataWindow object property. Use the numeric values, not the enumerated values, for DataWindow object properties.

Values

Table 6.7:

PowerBuilder enumerated value	Numeric value	Meaning
	1	The default character set for the specified font
CharSetAnsi!	0	Standard ANSI
CharSetUnicode!		Unicode
CharSetAnsiHebrew!		Right-to-left Hebrew
CharSetAnsiArabic!		Right-to-left Arabic
CharSetDBCS-Japanese!		Double-byte Japanese
	2	Symbol

PowerBuilder enumerated value	Numeric value	Meaning
	128	Shift-JIS
	255	OEM

See also

[Font.property](#)

6.9 DWBuffer

Description

Values for specifying the DataWindow buffer containing the rows you want to access.

Used in many DataWindow methods that access data.

Values

Table 6.8:

PowerBuilder enumerated value	Numeric value	Meaning
Primary!	0	The data in the primary buffer, meaning data that has not been deleted or filtered out. (Default value when argument is optional.)
Delete!	1	Data in the delete buffer, meaning data that has been deleted from the DataWindow but has not been committed to the database.
Filter!	2	Data in the filter buffer, meaning data that has been removed from view.

See also

[GetItemStatus](#)

[SetItem](#)

6.10 DWConflictResolution

Description

Values for specifying how to handle potential conflicts when synchronizing DataWindows in a distributed application.

Values

Table 6.9:

PowerBuilder enumerated value	Numeric value	Meaning
FailOnAnyConflict!	0	Prevents changes from being synchronized if data in the source DataWindow has changed since its state was captured. (Default value when argument is optional.)

PowerBuilder enumerated value	Numeric value	Meaning
AllowPartialChanges!		Allows changes that are not in conflict to be applied.

See also

[SetChanges](#) explains how to test whether conflicts exist.

6.11 DWItemStatus

Description

Values for specifying how DataWindow data will be updated in the database.

Values**Table 6.10:**

PowerBuilder enumerated value	Numeric value	Meaning
NotModified!	0	The information in the row or column is unchanged from what was retrieved.
DataModified!	1	The information in the column or one of the columns in the row has changed since it was retrieved.
New!	2	The row is new but no values have been specified for its columns. (Applies to rows only, not to individual columns.)
NewModified!	3	The row is new, and values have been assigned to its columns. In addition to changes caused by user entry or the SetItem method, a new row gets the status NewModified when one of its columns has a default value. (Applies to rows only, not to individual columns.)

See also

[SetItemStatus](#) describes how to change individual item statuses and how the status affects the SQL statements that update the database.

6.12 FillPattern

Description

Values for the fill pattern of shapes (for example, bars or pie slices) in a graph control.

Used in Get/SetSeriesStyle and Get/SetDataStyle methods for graph controls in a DataWindow or PowerBuilder graph controls.

Values**Table 6.11:**

PowerBuilder enumerated value	Numeric value	Meaning
Solid!	0	A solid color

PowerBuilder enumerated value	Numeric value	Meaning
Horizontal!	1	Horizontal lines
Vertical!	2	Vertical lines
FDiagonal!	3	Lines from upper left to lower right
BDiagonal!	4	Lines from lower left to upper right
Square!	5	A pattern of squares
Diamond!	6	A pattern of diamonds

See also

[GetDataStyle](#)

[GetSeriesStyle](#)

[SetDataStyle](#)

[SetSeriesStyle](#)

6.13 grColorType

Description

Values for specifying the purpose of a color in a graph, for example, background or foreground.

Used in Get/SetSeriesStyle and Get/SetDataStyle methods for graph controls in a DataWindow or for PowerBuilder graph controls.

Values

Table 6.12:

PowerBuilder enumerated value	Numeric value	Meaning
Foreground!	0	Text (fill color)
Background!	1	The background color
Shade!	2	The shaded area of three-dimensional graphics
LineColor!	3	The color of the line

See also

[GetDataStyle](#)

[GetSeriesStyle](#)

[SetDataStyle](#)

[SetSeriesStyle](#)

6.14 grDataType

Description

Values for specifying X or Y value when getting information about a scatter graph.

Used in the GetData method for graph controls in a DataWindow or for PowerBuilder graph controls.

Values

Table 6.13:

PowerBuilder enumerated value	Numeric value	Meaning
yValue!	1	(Default) The y value of the data point
xValue!	0	The x value of the data point

See also

[GetData](#)

6.15 grObjectType

Description

Values that identify parts of a graph.

Used as the return value of the ObjectAtPointer method for graph controls in a DataWindow or for PowerBuilder graph controls.

Values

Table 6.14:

PowerBuilder enumerated value	Numeric value	Meaning
TypeGraph!	0	Any place within the graph control that isn't another grObjectType
TypeTitle!	4	The title of the graph
TypeLegend!	8	Within the legend box, but not on a series label
TypeData!	2	A data point or other data marker
TypeCategory!	3	A label for a category
TypeCategoryAxis!	10	The category axis or between the category labels
TypeCategoryLabel!	6	The label of the category axis
TypeSeries!	1	The line that connects the data points of a series when the graph's type is line or on the series label in the legend box
TypeSeriesAxis!	9	The series axis of a 3D graph
TypeSeriesLabel!	5	The label of the series axis of a 3D graph
TypeValueAxis!	11	The value axis, including on the value labels
TypeValueLabel!	7	The user clicked the label of the value axis

See also

[ObjectAtPointer](#)

6.16 grSymbolType

Description

Values for the symbols associated with data points in a graph.

Used in Get/SetSeriesStyle and Get/SetDataStyle methods for graph controls in a DataWindow or for PowerBuilder graph controls.

Values

Table 6.15:

PowerBuilder enumerated value	Numeric value	Meaning
NoSymbol!	0	None
SymbolHollowBox!	1	A hollow box
SymbolX!	2	An X
SymbolStar!	3	A star
SymbolHollowUpArrow!	4	An outlined up arrow
SymbolHollowDownArrow!	5	An outlined down arrow
SymbolHollowCircle!	6	An outlined circle
SymbolHollowDiamond!	7	An outlined diamond
SymbolSolidBox!	8	A filled box
SymbolSolidDownArrow!	9	A filled down arrow
SymbolSolidUpArrow!	10	A filled up arrow
SymbolSolidDiamond!	11	A filled diamond
SymbolSolidCircle!	12	A filled circle
SymbolPlus!	13	A plus sign

See also

[GetDataStyle](#)

[GetSeriesStyle](#)

[SetDataStyle](#)

[SetSeriesStyle](#)

6.17 LineStyle

Description

Values for the pattern of lines in a graph.

Used in Get/SetSeriesStyle and Get/SetDataStyle methods for graph controls in a DataWindow or for PowerBuilder graph controls.

Values

Table 6.16:

PowerBuilder enumerated value	Numeric value	Meaning
Continuous!	0	The line style is a solid line
Dash!	1	The line style is ----
DashDot!	2	The line style is -.-.-.
DashDotDot!	3	The line style is -...-..
Dot!	4	The line style is
Transparent!	5	The line allows the background shapes to show through

See also[GetDataStyle](#)[GetSeriesStyle](#)[SetDataStyle](#)[SetSeriesStyle](#)

6.18 MetaDataType

Description

Values that specify whether metadata is saved when XML is exported from a DataWindow object.

Values**Table 6.17:**

PowerBuilder enumerated value	Numeric value	Meaning
XMLNone!	0	Metadata (XML Schema or DTD) is not generated when XML is exported
XMLSchema!	1	XML Schema is generated when XML is exported
XMLDTD!	2	DTD is generated when XML is exported

See also[SaveMetaData](#)

6.19 RichTextToolbarActivation

Description

Values for specifying when a font toolbar appears for a DataWindow.

Values

Table 6.18:

PowerBuilder enumerated value	Numeric value	Meaning
RichTextToolbarActivationNever	0	Never displays a rich text toolbar.
RichTextToolbarActivationOnEdit	1	Displays a rich text toolbar whenever a column with the rich text edit style has focus. This is the default setting.
RichTextToolbarActivationAlways	2	Displays a rich text toolbar at all times when the DataWindow is visible.

6.20 RowFocusInd

Description

Values for specifying the indicator for the current row in a DataWindow.

Used in the SetRowFocusIndicator method for DataWindow controls.

Values

Table 6.19:

PowerBuilder enumerated value	Numeric value	Meaning
Off!	0	There is no indicator for the current row
FocusRect!	1	The row with focus has a dotted rectangle around it
Hand!	2	A pointing hand appears in the left margin of the DataWindow beside the row with focus

See also

[SetRowFocusIndicator](#)

6.21 SaveAsType

Description

Values for specifying a format for data you want to save.

Used in the SaveAs method for saving the data of a DataWindow, a graph control in a DataWindow, or a PowerBuilder graph control.

Values

Table 6.20:

PowerBuilder enumerated value	Numeric value	Meaning
Excel!	0	Microsoft Excel format.
Text!	1	(Default) Tab-separated columns with a return at the end of each row
CSV!	2	Comma-separated values

PowerBuilder enumerated value	Numeric value	Meaning
SYLK!	3	Microsoft Multiplan format
WKS!	4	Lotus 1-2-3 format
WK1!	5	Lotus 1-2-3 format
DIF!	6	Data Interchange Format
dBASE2!	7	dBASE-II format
dBASE3!	8	dBASE-III format
SQLInsert!	9	SQL syntax
Clipboard!	10	Save an image of the graph to the clipboard
PSReport!	11	Powersoft Report (PSR) format
WMF!	12	Windows Metafile format
HTMLTable!	13	HTML TABLE, TR, and TD elements
Excel5!	14	Microsoft Excel Version 5 format
XML!	15	Extensible Markup Language (XML)
XSLFO!	16	Extensible Stylesheet Language Formatting Objects (XSL-FO)
PDF!	17	Portable Document Format (PDF)
Excel8!	18	Microsoft Excel Version 8 and higher format
EMF!	19	Enhanced Metafile Format
XLSX!	24	Microsoft Excel format for XML data (requires .NET Framework 4.0 or later)
XLSB!	25	Microsoft Excel format for binary data (requires .NET Framework 4.0 or later)

Obsolete values

The following SaveAsType values are considered to be obsolete and will be removed in a future release: Excel!, WK1!, WKS!, SYLK!, dBase2!, WMF!. Use Excel8!, XLSB!, or XLSX! for current versions of Microsoft Excel!, and EMF! in place of WMF!.

Formats supported on UNIX

The following formats are supported in PowerBuilder components deployed to the UNIX platform: Text!, CSV!, SQLInsert!, HTMLTable!, XML!, XSLFO!, and PDF!.

The following formats are not supported on UNIX: PSReport!, Excel!, Excel5!, Excel8!, SYLK!, WKS!, WK1!, DIF!, dBase2!, dBase3!, Clipboard!, WMF!, EMF!, XLSB!, and XLSX!.

PSR format changed

The format of PSR files created in PowerBuilder has changed in order to improve data integrity for the SaveAsAscii function. As a result, PSR files created in newer builds of

PowerBuilder cannot be opened in builds that predate this change. This change was made in PowerBuilder 8.0 build 7063 and PowerBuilder 7.0.3 build 10102.

See also

[SaveAs](#)

6.22 SQLPreviewFunction

Description

Values passed to the SQLPreview DataWindow event to indicate what method triggered the event.

Values

Table 6.21:

PowerBuilder enumerated value	Numeric value	Meaning
PreviewFunctionRetrieve!	0	The program called the DataWindow Retrieve method
PreviewFunctionReselectRow!	1	The program called the DataWindow ReselectRow method
PreviewFunctionUpdate!	2	The program called the DataWindow Update method

See also

[SQLPreview](#)

6.23 SaveMetaData

Description

Values that specify how metadata is saved when it is generated with the XML exported from a DataWindow object.

Values

Table 6.22:

PowerBuilder enumerated value	Numeric value	Meaning
MetaDataInternal!	0	Metadata is saved into the generated XML document or string. To save data using the .Data.XML expression syntax, you must use this value.
MetaDataExternal!	1	Metadata is saved as an external .xsd or .dtd file (SaveAs method only).

See also

[MetaDataType](#)

6.24 SQLPreviewType

Description

Values passed to the SQLPreview DataWindow event to indicate what SQL statement is being sent to the DBMS.

Values

Table 6.23:

PowerBuilder enumerated value	Numeric value	Meaning
PreviewSelect!	1	A SELECT statement
PreviewInsert!	2	An INSERT statement
PreviewDelete!	3	A DELETE statement
PreviewUpdate!	4	An UPDATE statement

See also

[SQLPreview](#)

6.25 WebPagingMethod

Description

Values that specify how the Web DataWindow handles paging requests.

Obsolete constant

WebPagingMethod is obsolete and should not be used, because the Web DataWindow technology is obsolete.

Values

Table 6.24:

PowerBuilder enumerated value	Numeric value	Meaning
Postback!	0	Post back to server to perform paging operations
Callback!	1	Use script callbacks to retrieve the next page of XML data
XMLClientside!	2	Retrieve entire result set and use XSLT transformation of cached stylesheet to perform paging operations on the client

7 Properties of the DataWindow Control and DataStore

About this chapter

The chapter lists the properties of the DataWindow control and DataStore. These properties can be set in code to control the appearance and behavior of the container for the DataWindow object.

7.1 Properties for PowerBuilder DataWindow

These properties are also documented in the Part I, “Objects and Controls”.

7.1.1 Properties for DataStore objects

You can set properties of a DataStore object in code using dot notation.

Table 7.1: Setting DataStore properties using dot notation

DataStore property	Datatype	Description
DataObject	String	Specifies the name of the DataWindow or Report object associated with the control.
ClassDefinition	PowerObject	An object of type PowerObject containing information about the class definition of the object or control.
Object	DWObject	Used for the direct manipulation of controls within a DataWindow object from a script. These controls could be, for example, columns or text controls. For information, see Accessing Data in Code and Accessing DataWindow Object Properties in Code .

7.1.2 Properties for DataWindow controls

You can set properties of a DataWindow control in the window or user object painter or in code.

Table 7.2: Properties of DataWindow controls

DataWindow property	Datatype	Description
Border	Boolean	Specifies whether the control has a border. Values are: <ul style="list-style-type: none"> • True -- Control has a border. • False -- Control does not have a border.
BorderStyle	BorderStyle (enumerated)	Specifies the border style of the control. Values are: <ul style="list-style-type: none"> StyleBox! StyleLowered! StyleRaised! StyleShadowBox!

DataWindow property	Datatype	Description
BringToTop	Boolean	Specifies whether PowerBuilder moves the control to the top of the front-to-back order.
ClassDefinition	PowerObject	An object of type PowerObject containing information about the class definition of the object or control.
ControlMenu	Boolean	Specifies whether the Control Menu box displays in the control title bar. Values are: <ul style="list-style-type: none"> • True -- Control Menu box displays in the control title bar. • False -- Control Menu box does not display in the control title bar.
DataObject	String	Specifies the name of the DataWindow object or Report object associated with the control.
DragAuto	Boolean	Specifies whether PowerBuilder puts the control automatically into Drag Mode. DragAuto has these boolean values: <ul style="list-style-type: none"> • True -- When the control is clicked, the control is automatically in Drag Mode. • False -- When the control is clicked, the control is not automatically in Drag Mode. You have to manually put the control into Drag Mode by using the Drag function.
DragIcon	String	Specifies the name of the stock icon or the file containing the icon you want to display when the user drags the control (the ICO file). The default icon is a box the size of the control. When the user drags the control, the icon displays when the control is over an area in which the control can be dropped (a valid drop area). When the control is over an area that is not a valid drop area, the No-Drop icon displays.
Enabled	Boolean	Specifies whether the control is enabled (can be selected). Values are: <ul style="list-style-type: none"> • True -- Control is enabled. • False -- Control is not enabled.
Height	Integer	Specifies the height of the DataWindow control, in PowerBuilder units.
HScrollBar	Boolean	Specifies whether a horizontal scroll bar displays in the control when all the data cannot be displayed at one time. Values are: <ul style="list-style-type: none"> • True -- Horizontal scroll bar is displayed. • False -- Horizontal scroll bar is not displayed.
HSplitScroll	Boolean	Specifies whether the split bar displays in the control. Values are:

DataWindow property	Datatype	Description
		<ul style="list-style-type: none"> • True -- Split bar is displayed. • False -- Split bar is not displayed.
Icon	String	Specifies the name of the ICO file that contains the icon that displays when the DataWindow control is minimized.
LiveScroll	Boolean	Scrolls the rows in the DataWindow control while the user is moving the scroll box.
MaxBox	Boolean	Specifies whether a Maximize Box displays in the DataWindow control title bar. Values are: <ul style="list-style-type: none"> • True -- Maximize Box displays. • False -- Maximize Box does not display.
MinBox	Boolean	Specifies whether a Minimize Box displays in the DataWindow control title bar. Values are: <ul style="list-style-type: none"> • True -- Minimize Box displays. • False -- Minimize Box does not display.
Object	DWObject	Used for the direct manipulation of controls within a DataWindow object from a script. These controls could be, for example, columns or text controls. For information, see Accessing Data in Code and Accessing DataWindow Object Properties in Code .
Resizable	Boolean	Specifies whether the DataWindow control is resizable. Values are: <ul style="list-style-type: none"> • True -- DataWindow is resizable. • False -- DataWindow is not resizable.
RightToLeft	Boolean	Specifies that characters should be displayed in right-to-left order. The application must be running on an operating system that supports right-to-left display. Values are: <ul style="list-style-type: none"> • True -- Characters display in right-to-left order. • False -- Characters display in left-to-right order.
TabOrder	Integer	Specifies the tab value of the DataWindow control within the window or user object. (0 means the user cannot tab to the control.)
Tag	String	Specifies the tag value assigned to the DataWindow control.
Title	String	Specifies the text that displays in the DataWindow control title bar.

DataWindow property	Datatype	Description
TitleBar	Boolean	Specifies whether a title bar displays in the DataWindow control. The user can move the DataWindow control only if it has a title bar. Values are: <ul style="list-style-type: none">• True -- Title bar is displayed in control.• False -- No title bar is displayed in control.
Visible	Boolean	Specifies whether the DataWindow control is visible. Values are: <ul style="list-style-type: none">• True -- Control is visible.• False -- Control is not visible.
VScrollBar	Boolean	Specifies whether a vertical scroll bar displays in the control when not all the data can be displayed at one time. Values are: <ul style="list-style-type: none">• True -- Vertical scroll bar is displayed.• False -- Vertical scroll bar is not displayed.
Width	Integer	Specifies the width of the DataWindow control, in PowerBuilder units.
X	Integer	Specifies the X position (the distance from the left edge of the window), in PowerBuilder units.
Y	Integer	Specifies the Y position (the distance from the top edge of the window), in PowerBuilder units.

8 DataWindow Events

About this chapter

This chapter describes what DataWindow objects are and the ways you can use them in various programming environments.

8.1 About return values for DataWindow events

The way to specify a return code in a DataWindow event is different in each of the DataWindow environments.

PowerBuilder

Use a RETURN statement as the last statement in the event script. The datatype of the value is long.

For example, in the ItemChanged event, set the return code to 2 to reject an empty string as a data value:

```
IF data = "" THEN RETURN 2
```

Java

Use the setReturnCode method of the event object passed to the event. The datatype of the value is int. The setReturnCode method is inherited from the parent EventData class.

For example, in the retrieveStart event, prevent the DataWindow from being reset, so that the newly retrieved rows are appended to the rows already retrieved:

```
event.setReturnCode(2);
```

8.2 Categories of DataWindow events

The reference entries are listed in alphabetical order. To help you find the event you need, the events are organized here by the type of actions that trigger them.

Changing data

[EditChanged](#)

[ItemChanged](#)

[ItemError](#)

[DropDown](#) for drop-down lists

Database access

[DBError](#)

[RetrieveStart](#)

[RetrieveRow](#)

[RetrieveEnd](#)

[SQLPreview](#)

[UpdateStart](#)

[UpdateEnd](#)

Error handling

[DBError](#)

[Error](#)

[ItemError](#)

[WSError](#)

Focus

[GetFocus](#)

[LoseFocus](#)

[ItemFocusChanged](#)

[RowFocusChanging](#)

[RowFocusChanged](#)

Key presses

[KeyDown](#)

[ProcessEnter](#)

[TabOut](#)

[BackTabOut](#)

[TabDownOut](#)

[TabUpOut](#)

Mouse actions

[ButtonClicked](#)

[ButtonClicking](#)

[Clicked](#)

[DoubleClicked](#)

[DragDrop](#)

[DragEnter](#)

[DragLeave](#)

[DragWithin](#)

[MouseMove](#)

[MouseUp](#)

[RButtonDown](#)

Printing

[PrintStart](#)

[PrintPage](#)

[PrintMarginChange](#)

[Printend](#)

Rich Text

[RichTextCurrentStyleChanged](#)

[RichTextLoseFocus](#)

[RichTextLimitError](#)

Scrolling

[ScrollHorizontal](#)

[ScrollVertical](#)

TreeView actions

[Collapsed](#)

[Collapsing](#)

[Expanded](#)

[Expanding](#)

[TreeNodeSelected](#)

[TreeNodeSelecting](#)

Miscellaneous

[Constructor](#)

[Destructor](#)

[Resize](#)

[GraphCreate](#) for Graph controls and presentation styles

[HTMLContextApplied](#) (obsolete)

[MessageText](#) for crosstab DataWindows

8.3 DataWindow event cross-reference

Event names conform to the conventions of each environment. Events for PowerBuilder DataWindow objects and DataStores are listed in Part I, “Objects and Controls”. (In Help, look up DataWindow control or DataStore object, and click the Events button to view these lists.)

8.4 Alphabetical list of DataWindow events

The list of DataWindow events follows in alphabetical order.

8.5 BackTabOut

Description

Occurs when the user presses Shift+Tab or, in some edit styles, the left arrow, to move focus to the prior control in the Window or user object.

PowerBuilder event information

Event ID: pbm_dwnbacktabout

BackTabOut is not a standard PowerBuilder DataWindow event. To write a script for this event, you must first define a user-defined event for the event ID pbm_dwnbacktabout.

Return Values

There are no special outcomes for this event. The only code is:

0 -- Continue processing

8.6 ButtonClicked

Description

Occurs when the user clicks a button inside a DataWindow object.

PowerBuilder event information

Event ID: pbm_dwnbuttonclicked

Table 8.1:

Argument	Description
row	Long by value. The number of the row the user clicked.
actionreturncode	Long by value. The value returned by the action performed by the button. For information about return values, see the Action DataWindow object property.
dwo	DWObject by value. A reference to the control within the DataWindow under the pointer when the user clicked.

Return Values

There are no special outcomes for this event. The only code is:

0 -- Continue processing

Usage

The ButtonClicked event executes code after the action assigned to the button has occurred.

This event is fired only if you have not selected Suppress Event Processing for the button.

If Suppress Event Processing is on, only the Clicked event and the action assigned to the button are executed when the button is clicked.

If Suppress Event Processing is off, the Clicked event and the ButtonClicked event are fired. If the return code of the ButtonClicking event is 0, the action assigned to the button is executed and the ButtonClicked event is fired. If the return code of the ButtonClicking event is 1, neither the action nor the ButtonClicked event are executed.

Do not use a message box in the Clicked event

If you call the MessageBox function in the Clicked event, the action assigned to the button is executed, but the ButtonClicking and ButtonClicked events are not executed.

Returning the row number

When you place a button in the DataWindow and use the window's ButtonClicked event to return the row number, you will get different results depending on where you place the button. If the button is in the Detail band, it returns the number of the row. If the button is in the Header band, it returns the number of the first row displayed in the DataWindow control. If the button is in the Summary band, it returns the number of the final row in the list. If the button is in the Footer band, it returns the number of the last row displayed in the DataWindow control.

Examples

This statement in the ButtonClicked event displays the value returned by the button's action:

```
MessageBox(" ", actionreturncode)
```

This statement in the ButtonClicked event displays the value returned by the button's action:

```
String      ls_Object
String      ls_Win

ls_Object = String(dwo.name)
If ls_Object = "cb_close" Then
    Close(Parent)

ElseIf ls_Object = "cb_help" Then
    ls_win = parent.ClassName()
    f_open_help(ls_win)
End If
```

See also

[ButtonClicking](#)

8.7 ButtonClicking

Description

Occurs when the user clicks a button. This event occurs before the ButtonClicked event.

PowerBuilder event information

Event ID: pbm_dwnbuttonclicking

Table 8.2:

Argument	Description
row	Long by value. The number of the row the user clicked.
dwo	DWObject by value. A reference to the control within the DataWindow under the pointer when the user clicked.

Return Values

Set the return code to affect the outcome of the event:

0 -- Execute the action assigned to the button, then trigger the ButtonClicked event

1 -- Prevent the action assigned to button from executing and the ButtonClicked event from firing

For information on setting the return code in a particular environment, see [About return values for DataWindow events](#).

Usage

Use the ButtonClicking event to execute code before the action assigned to the button occurs. If the return code is 0, the action assigned to the button is then executed and the ButtonClicked event is fired. If the return code is 1, the action and the ButtonClicked event are inhibited.

This event is fired only if you have not selected Suppress Event Processing for the button.

The Clicked event is fired before the ButtonClicking event.

Do not use a message box in the Clicked event

If you call the MessageBox function in the Clicked event, the action assigned to the button is executed, but the ButtonClicking and ButtonClicked events are not executed.

Returning the row number

When you place a button in the DataWindow and use the window's ButtonClicking event to return the row number, you will get different results depending on where you place the button. If the button is in the Detail band, it returns the number of the row. If the button is in the Header band, it returns the number of the first row displayed in the DataWindow control. If the button is in the Summary band, it returns the number of the final row in the list. If the button is in the Footer band, it returns the number of the last row displayed in the DataWindow control.

Examples

This statement in the ButtonClicking event displays a message box before proceeding with the action assigned to the button:

```
MessageBox(" ", "Are you sure you want to proceed?")
```

See also

[ButtonClicked](#)

8.8 Clicked

Description

Occurs when the user clicks anywhere in a DataWindow control.

PowerBuilder event information

Event ID: pbm_dwnlbuttonclk

Table 8.3:

Argument	Description
xpos	Integer by value. The distance of the pointer from the left side of the DataWindow workspace. The distance is given in pixels.

Argument	Description
ypos	Integer by value. The distance of the pointer from the top of the DataWindow workspace. The distance is given in pixels.
row	Long by value. The number of the row the user clicked. If the user does not click on a row, the value of the row argument is 0. For example, row is 0 when the user clicks outside the data area, or in the header, summary, or footer area.
dwo	DWObject by value. A reference to the control within the DataWindow under the pointer when the user clicked.

Return Values

Set the return code to affect the outcome of the event:

0 -- Continue processing

1 -- Prevent the focus from changing

For information on setting the return code in a particular environment, see [About return values for DataWindow events](#).

Usage

The DataWindow Clicked event occurs when the mouse button is pressed down.

The dwo, Name, or object argument provides easy access to the control the user clicks within the DataWindow. You do not need to know the coordinates of elements within the DataWindow to program control-specific responses to the user's clicks. For example, you can prevent editing of a column and use the Clicked script to set data or properties for the column and row the user clicks.

A click can also trigger RowFocusChanged and ItemFocusChanged events. A double-click triggers a Clicked event, then a DoubleClicked event.

For graphs in DataWindow controls, the ObjectAtPointer method provides similar information about objects within the graph control.

PowerBuilder programming note

The xpos and ypos arguments provide the same values the functions PointerX and PointerY return when you call them for the DataWindow control.

Examples

This code highlights the row the user clicked.

```
This.SelectRow(row, true)
```

If the user clicks on a column heading, this code changes the color of the label and sorts the associated column. The column name is assumed to be the name of the heading text control without _t as a suffix.

```
string ls_name  
IF dwo.Type = "text" THEN  
    dwo.Color = RGB(255,0,0)
```

```

ls_name = dwo.Name
ls_name = Left(ls_name, Len(ls_name) - 2)

This.SetSort(ls_name + ", A")
This.Sort()
END IF

```

See also[ButtonClicked](#)[ButtonClicking](#)[DoubleClick](#)[ItemFocusChanged](#)[RButtonDown](#)[RowFocusChanged](#)[RowFocusChanging](#)

8.9 Collapsed

Description

Occurs when a node in a TreeView DataWindow has collapsed.

PowerBuilder event information

Event ID: pbm_dwncollapsed

Table 8.4:

Argument	Description
row	Long by value. The number of the first row in the group to be collapsed.
grouplevel	Long by value. The TreeView level of the group to be collapsed.

Return Values

There are no return codes.

Usage

A TreeView node collapses when the user clicks the State icon (-) in the TreeView DataWindow or uses any of the Collapse methods.

The Collapsing event occurs before the Collapsed event.

Examples

The following statements in the Collapsed event save the current row and level to instance variables:

```

ii_level = grouplevel
ii_row = row

```

See also[Collapsing](#)

[Expanded](#)

8.10 Collapsing

Description

Occurs before a node in a TreeView DataWindow collapses.

PowerBuilder event information

Event ID: pbm_dwncollapsing

Table 8.5:

Argument	Description
row	Long by value. The number of the first row in the group to be collapsed.
grouplevel	Long by value. The TreeView level of the group to be collapsed.

Return Values

Set the return code to affect the outcome of the event. Return 0 to continue processing (collapse the selected node) or return any other value to cancel the collapse.

Usage

A TreeView node collapses when the user clicks the State icon (-) in the TreeView DataWindow or uses any of the Collapse methods.

The Collapsing event occurs before the Collapsed event.

Examples

The following statements in the Collapsing event script display a message box that allows the user to cancel the operation. The message box does not display if the Collapsing event was triggered by the CollapseAll or CollapseLevel methods:

```
Integer li_ret
if row <>-1 then
    li_ret = MessageBox("Collapsing node", &
        "Are you sure you want to collapse this node?", &
        Exclamation!, OKCancel!)
    IF li_ret = 1 then        return 0
ELSE        RETURN 1    END IF
END IF
```

See also

[Collapsed](#)[Expanding](#)

8.11 Constructor

Description

Occurs when the DataWindow control or DataStore object is created, just before the Open event for the window that contains the control.

PowerBuilder event information

Event ID: pbm_constructor

Return Values

There are no special outcomes for this event. The only code is:

0 -- Continue processing

Usage

You can write code for the Constructor event to affect DataWindow properties before it is displayed.

Examples

This example retrieves data for the DataWindow dw_1 before its window is displayed:

```
dw_1.SetTransObject(SQLCA)
dw_1.Retrieve( )
```

See also

[Destructor](#)

8.12 DBError

Description

Occurs when a database error occurs in the DataWindow or DataStore.

PowerBuilder event information

Event ID: pbm_dwndberror

Table 8.6:

Argument	Description
sqldbcode	<p>Long by value. A database-specific error code.</p> <p>See your DBMS documentation for information on the meaning of the code.</p> <p>When there is no error code from the DBMS, sqldbcode contains one of these values:</p> <ul style="list-style-type: none"> -1 -- Cannot connect to the database because of missing values in the transaction object. -2 -- Cannot connect to the database. -3 -- The key specified in an Update or Retrieve no longer matches an existing row. This can happen when another user has changed the row after you retrieved it. -4 -- Writing a blob to the database failed.
sqlerrtext	String by value. A database-specific error message.
sqlsyntax	String by value. The full text of the SQL statement being sent to the DBMS when the error occurred.
buffer	DWBuffer by value. The buffer containing the row involved in the database activity that caused the error.

Argument	Description
	For a list of valid values, see DWBuffer .
row	Long by value. The number of the row involved in the database activity that caused the error (the row being updated, selected, inserted, or deleted).

Return Values

Set the return code to affect the outcome of the event:

0 -- Display the error message and trigger the Transaction object's DBError event if it is defined.

1 -- Do not display the error message, and trigger the Transaction object's DBError event if it is defined.

2 -- Display the error message and ignore the Transaction object's DBError event whether it is defined or not.

3 -- Do not display the error message and ignore the Transaction object's DBError event whether it is defined or not.

For information on setting the return code in a particular environment, see [About return values for DataWindow events](#).

Usage

By default, when the DBError event occurs in a DataWindow control, it displays a system error message. You can display your own message and suppress the system message by specifying a return code of 1 in the DBError event.

Since DataStores are nonvisual, a system message does not display when the DBError event occurs in a DataStore. You must add code to the DBError event to handle the error.

If the row that caused the error is in the Filter buffer, you must unfilter it if you want the user to correct the problem.

Reported row number

The row number stored in row is the number of the row in the buffer, not the number the row had when it was retrieved into the DataWindow object.

Obsolete methods in PowerBuilder

Information formerly provided by the DBErrorCode and DBErrorMessage methods is available in the arguments sqldbcode and sqlerrtext.

Examples

This example illustrates how to display custom error messages for particular database error codes:

```
CHOOSE CASE sqldbcode
    CASE -195 // Required value is NULL.
        MessageBox("Database Problem", &
```

```
        "Error inserting row " + string(row) &
        + ". Please specify a value for Employee ID.")
    CASE ...
    // Code to handle other errors

END CHOOSE

RETURN 1 // Do not display system error message
```

See also[Error](#)[ItemError](#)[WSError](#)

8.13 Destructor

Description

Occurs when the DataWindow control or DataStore object is destroyed, immediately after the Close event of a window or form.

PowerBuilder event information

Event ID: pbm_destructor

Return Values

There are no special outcomes for this event. The only code is:

0 -- Continue processing

Usage

The Destructor event destroys the DataWindow control or DataStore object and removes it from memory. After it has been destroyed, you can no longer refer to it in other event code. (If you do, a runtime error occurs.)

Restriction on methods

Calling a DataStore method that accesses the underlying DataStore internals within this event is not a valid coding practice and can fail silently. Such methods include RowCount, DBCancel, and Modify.

When you issue a DESTROY on a DataStore, the Destructor event is triggered and a Windows WM_DESTROY message is added to the object's message queue. WM_DESTROY invalidates the memory for the DataStore. If the WM_DESTROY message is handled before the method calls in the Destructor event, methods that attempt to access the destroyed memory fail silently.

See also[Constructor](#)

8.14 DoubleClicked

Description

Occurs when the user double-clicks in a DataWindow control.

PowerBuilder event information

Event ID: pbm_dwnlbuttondblclk

Table 8.7:

Argument	Description
xpos	Integer by value. The distance of the pointer from the left side of the DataWindow's workspace. The distance is given in pixels.
ypos	Integer by value. The distance of the pointer from the top of the DataWindow's workspace. The distance is given in pixels.
row	Long by value. The number of the row the user double-clicked. If the user did not double-click on a row, the value of the row argument is 0. For example, row is 0 when the user double-clicks outside the data area, in text or spaces between rows, or in the header, summary, or footer area.
dwo	DWObject by value. A reference to the control within the DataWindow the user double-clicked.

Return Values

There are no special outcomes for this event. The only code is:

0 -- Continue processing

Usage

The dwo, Name, or DWObject argument provides easy access to the control the user clicks. You do not need to know the coordinates of elements within the DataWindow to program control-specific responses to the user's clicks. For example, you can prevent editing of a column and use the Clicked event to set data or properties for the column and row the user clicks.

PowerBuilder programming note

The xpos and ypos arguments provide the same values the functions PointerX and PointerY return when you call them for the DataWindow control.

Examples

This example displays a message box reporting the row and column clicked and the position of the pointer relative to the upper-left corner of the DataWindow control:

```
string ls_columnname

IF dwo.Type = "column" THEN
    ls_columnname = dwo.Name
END IF

MessageBox("DoubleClicked Event", &
    "Row number: " + row &
    + "~rColumn name: " + ls_columnname &
    + "~rDistance from top of dw: " + ypos &
    + "~rDistance from left side of dw: " + xpos)
```

See also

[Clicked](#)[ItemFocusChanged](#)[RButtonDown](#)[RowFocusChanged](#)[RowFocusChanging](#)

8.15 DragDrop

Description

PowerBuilder only

Occurs when the user drags an object onto the control and releases the mouse button to drop the object.

PowerBuilder event information

Event ID: pbm_dwndragdrop

Table 8.8:

Argument	Description
source	DragObject by value. A reference to the control being dragged.
row	Long by value. The number of the row the pointer was over when the user dropped the object. If the pointer was not over a row, the value of the row argument is 0. For example, row is 0 when the pointer is outside the data area, in text or spaces between rows, or in the header, summary, or footer area.
dwo	DWObject by value. A reference to the control under the pointer within the DataWindow when the user dropped the object.

Return Values

There are no special outcomes for this event. The only code is:

0 -- Continue processing

Usage

Obsolete methods in PowerBuilder

You no longer need to call the DraggedObject method in a drag event. Use the source argument instead.

Examples

This example for the DragDrop event for a DataWindow checks whether the source object is a DataWindow control. If so, it finds out the current row in the source and moves it to the target:

```
DataWindow ldw_Source
IF source.TypeOf() = DataWindow! THEN
    ldw_Source = source
```

```
IF row > 0 THEN
    ldw_Source.RowsMove(row, row, Primary!, &
        This, 1, Primary!)
END IF
END IF
```

See also[DragEnter](#)[DragLeave](#)[DragWithin](#)

8.16 DragEnter

Description**PowerBuilder only**

Occurs when the user is dragging an object and enters the control.

PowerBuilder event information

Event ID: pbm_dwndragenter

Table 8.9:

Argument	Description
source	DragObject by value. A reference to the control being dragged.

Return Values

There are no special outcomes for this event. The only code is:

0 -- Continue processing

Usage**Obsolete methods in PowerBuilder**

You no longer need to call the DraggedObject method in a drag event. Use the source argument instead.

See also[DragDrop](#)[DragLeave](#)[DragWithin](#)

8.17 DragLeave

Description**PowerBuilder only**

Occurs when the user is dragging an object and leaves the control.

PowerBuilder event information

Event ID: pbm_dwndragleave

Table 8.10:

Argument	Description
source	DragObject by value. A reference to the control being dragged.

Return Values

There are no special outcomes for this event. The only code is:

0 -- Continue processing

Usage

Obsolete methods in PowerBuilder

You no longer need to call the DraggedObject method in a drag event. Use the source argument instead.

Examples

This example checks the name of the control being dragged and if it is dw_1, it cancels the drag operation:

```
IF ClassName(source) = "dw_1" THEN
    dw_1.Drag(Cancel!)
END If
```

See also

[DragDrop](#)

[DragEnter](#)

[DragWithin](#)

8.18 DragWithin

Description

PowerBuilder only

Occurs when the user is dragging an object within the control.

PowerBuilder event information

Event ID: pbm_dwndragleave

Table 8.11:

Argument	Description
source	DragObject by value. A reference to the control being dragged.
row	Long by value. The number of the row the pointer is over. If the pointer is not over a row, the value of the row argument is 0. For example, row is 0 when the pointer is outside the data area, in text or spaces between rows, or in the header, summary, or footer area.

Argument	Description
dwo	DWObject by value. A reference to the control under the pointer within the DataWindow.

Return Values

There are no special outcomes for this event. The only code is:

0 -- Continue processing

Usage

The DragWithin event occurs repeatedly as the mouse moves within the control.

Obsolete methods in PowerBuilder

You no longer need to call the DraggedObject method in a drag event. Use the source argument instead.

See also

[DragDrop](#)

[DragEnter](#)

[DragLeave](#)

8.19 DropDown

Description

Occurs just before the list provided by a DropDownDataWindow is displayed. Use this event to retrieve new data for the child DataWindow.

A DropDownDataWindow is a drop-down choice list whose data is provided by retrieving data for another DataWindow. To create a DropDownDataWindow, you assign the DropDownDataWindow edit style to a column and associate it with another DataWindow that retrieves the data for the choice list.

PowerBuilder event information

Event ID: pbm_dwndropdown

DropDown is not a standard PowerBuilder DataWindow event. To write a script for this event, you must first define a user-defined event for the event ID pbm_dwndropdown.

Return Values

There are no special outcomes for this event. The only code is:

0 -- Continue processing

8.20 EditChanged

Description

Occurs for each keystroke the user types in an edit control in the DataWindow.

PowerBuilder event information

Event ID: pbm_dwnchanging

Table 8.12:

Argument	Description
row	Long by value. The number of the row containing the item whose value is being changed.
dwo	DWObject by value. A reference to the column containing the item whose value is being changed. Dwo is a reference to the column control, not the name of the column.
data	String by value. The current contents of the DataWindow edit control.

Return Values

There are no special outcomes for this event. The only code is:

0 -- Continue processing

Examples

This example displays the row and column that the user is editing in a StaticText control:

```
st_1.Text = "Row " + String(row) &
           + " in column " + dwo.Name
```

See also

[ItemChanged](#)

8.21 Error

Description

PowerBuilder

Occurs when an error is found in a data or property expression for an external object or a DataWindow object. Also occurs when a communications error is found in a distributed application.

PowerBuilder event information

Event ID: None

Table 8.13:

Argument	Description
errornumber	Unsigned integer by value (PowerBuilder's error number).
errortext	String, read-only (PowerBuilder's error message).
errorwindowname	String, read-only. The name of the window or menu that is the parent of the object whose script caused the error.
errorobject	String, read-only. The name of the object whose script caused the error.
errorsript	String, read-only. The full text of the script in which the error occurred.
errorline	Unsigned integer by value. The line in the script where the error occurred.
action	ExceptionAction by reference.

Argument	Description
	<p>A value you specify to control the application's course of action as a result of the error. Values are:</p> <ul style="list-style-type: none"> • ExceptionFail! -- Fail as if this script were not implemented. This is the default action. The error condition triggers the SystemError event if you do not handle the error in a Try-Catch block. • ExceptionIgnore! -- Ignore this error and return as if no error occurred. Use this option with caution because the conditions that caused the error can cause another error. • ExceptionRetry! -- Execute the function or evaluate the expression again in case the OLE server was not ready. This option is not valid for DataWindows. • ExceptionSubstituteReturnValue! -- Use the value specified in the returnValue argument instead of the value returned by the OLE server or DataWindow and cancel the error condition.
returnValue	<p>Any by reference. A value whose datatype matches the expected value that the OLE server or DataWindow would have returned.</p> <p>This value is used when the value of action is ExceptionSubstituteReturnValue!.</p>

Return Values

None. (Do not use a RETURN statement.)

Usage

DataWindow and OLE objects are dynamic. Expressions that use dot notation to refer to data and properties of these objects might be valid under some runtime conditions but not others. The Error event allows you to respond to this dynamic situation with error recovery logic.

The Error event also allows you to respond to communications errors in the client component of a distributed application. In the Error event for a custom connection object, you can tell PowerBuilder what action to take when an error occurs during communications between the client and the server.

The Error event gives you an opportunity to substitute a default value when the error is not critical to your application. Its arguments also provide information that is helpful in debugging. For example, the arguments can help you debug DataWindow data expressions that cannot be checked by the compiler -- such expressions can only be evaluated at runtime.

When to substitute a return value

The ExceptionSubstituteReturnValue! action allows you to substitute a return value when the last element of an expression causes an error. Do not use ExceptionSubstituteReturnValue! to substitute a return value when an element in the middle of an expression causes an error. The substituted return value will not match the datatype of the unresolved object reference and will cause a system error.

The `ExceptionSubstituteReturnValue!` action is most useful for handling errors in data expressions.

For DataWindows, if an error occurs while evaluating a data or property expression, error processing occurs like this:

1. The Error event occurs.

If you use a Try-Catch block, it is best not to script the Error event.

2. If the Error event has no script or its action argument is not changed from the default action (`ExceptionFail!`), either a catch statement is executed or the `SystemError` event occurs.
3. If you do not handle the error in a Try-Catch block and the `SystemError` event has no script, an application error occurs and the application is terminated.

The chapter on "Using DataWindow Objects" in the DataWindow Programmers Guide contains a table of correspondences between Error event arguments and `DWRuntimeError` properties. You can use the `DWRuntimeError` properties in a Try-Catch block to obtain the same information about an error condition that you would otherwise obtain from Error event arguments.

The error processing in the client component of a distributed application is the same as for DataWindows. For information about handling communications errors in a distributed application, see the discussion of distributed applications in Chapter 6, *Developing Distributed Applications* in *Application Techniques*.

For information about error processing in OLE controls, see the `ExternalException` event description in Section 2.3.50, "ExternalException" in *PowerScript Reference*.

For information about using data and property expressions for DataWindow objects, see [Accessing Data in Code](#) and [Accessing DataWindow Object Properties in Code](#)

Examples

This example displays information about the error that occurred and allows the script to continue:

```
MessageBox("Error Number " + string(errornumber)&
    + " Occurred", "Error text: " + String(errortext))
action = ExceptionIgnore!
```

See also

[DBError](#)

8.22 Expanded

Description

Occurs when a node in a TreeView DataWindow has expanded.

PowerBuilder event information

Event ID: `pbm_dwnexpanded`

Table 8.14:

Argument	Description
row	Long by value. The number of the first row in the group that has been expanded.
grouplevel	Long by value. The TreeView level of the group that has been expanded.

Return Values

There are no return codes.

Usage

A TreeView node expands when the user clicks the State icon (+) in the TreeView DataWindow or uses any of the Expand methods.

The Expanding event occurs before the Expanded event.

Examples

The following statement writes the TreeView level and row to a single-line edit box when a node is expanded:

```
sle_1.text = "TreeView level: " + string(grouplevel)
sle_1.text += " Row: " + string(row)
```

See also

[Collapsed](#)

[Expanding](#)

8.23 Expanding**Description**

Occurs before a node in a TreeView DataWindow expands.

PowerBuilder event information

Event ID: pbm_dwnexpanding

Table 8.15:

Argument	Description
row	Long by value. The number of the first row in the group to be expanded.
grouplevel	Long by value. The TreeView level of the group to be expanded.

Return Values

Set the return code to affect the outcome of the event. Return 0 to continue processing (expand the selected node) or return any other value to cancel the expansion.

Usage

A TreeView node expands when the user clicks the State icon (+) in the TreeView DataWindow or uses any of the Expand methods.

The Expanding event occurs before the Expanded event.

Examples

The following statements in the Expanding event script display a message box that allows the user to cancel the operation:

```
Integer li_ret  
  
li_ret = MessageBox("Expanding node", &  
    "Are you sure you want to expand this node?", &  
    Exclamation!, OKCancel!)  
IF li_ret = 1 then    return 0ELSE    RETURN 1END IF
```

See also

[Collapsing](#)

[Expanded](#)

8.24 GetFocus

Description

Occurs just before the control receives focus (before it is selected and becomes active).

PowerBuilder event information

Event ID: pbm_dwnsetfocus

Return Values

There are no special outcomes for this event. The only code is:

0 -- Continue processing

See also

[Clicked](#)

[LoseFocus](#)

8.25 GraphCreate

Description

Occurs after the DataWindow control creates a graph and populates it with data, but before it has displayed the graph. In this event, you can change the appearance of the data about to be displayed.

PowerBuilder event information

Event ID: pbm_dwngraphcreate

GraphCreate is not a standard PowerBuilder DataWindow event. To write a script for this event, you must first define a user-defined event for the event ID pbm_dwngraphcreate.

Return Values

There are no special outcomes for this event. The only code is:

0 -- Continue processing

Examples

The following statement sets to black the foreground (fill) color of the Q1 series in the graph gr_quarter, which is in the DataWindow control dw_report. The statement is in the user event GraphCreate, which is associated with the event ID pbm_dwngraphcreate:

```
dw_report.SetSeriesStyle("gr_quarter", "Q1", &
    foreground!, 0)
```

See also

[GetFocus](#)

8.26 HTMLContextApplied

Description

Occurs when the SetHTMLAction method has been called to apply an action to a DataWindow control or DataStore. The event occurs after the context has been set but before the action is applied.

Obsolete method

HTMLContextApplied is obsolete and should not be used, because the Web DataWindow technology is obsolete. An obsolete feature is no longer eligible for technical support and will no longer be enhanced, although it is still available.

PowerBuilder event information

Event ID: pbm_dwnhtmlcontextapplied

Table 8.16:

Argument	Description
action	String. A descriptor of the action about to be applied to the DataStore. Action strings include: AppendRow DeleteRow InsertRow PageFirst PageLast PageNext PagePrior Retrieve Sort Update The list is subject to change and additional actions may be added in the future. Case is not relevant for action values.

Return Values

Set the return code to affect the outcome of the event:

0 -- Continue processing (execute the action)

1 -- Prevent the action from being applied

For information on setting the return code in a particular environment, see [About return values for DataWindow events](#).

Usage

Actions include navigating from page to page, inserting and deleting rows, retrieving and updating data. Typically the HTMLContextApplied event is used to call server-side methods for validating data that is about to be updated.

The SetHTMLAction method triggers the HTMLContextApplied event. If the HTMLContextApplied event returns 1, then the SetHTMLAction method returns -4 to indicate that the action was canceled.

See also

[SetHTMLAction](#) method

8.27 ItemChanged

Description

Occurs when a field in a DataWindow control has been modified and loses focus (for example, the user presses Enter, the Tab key, or an arrow key or clicks the mouse on another field within the DataWindow). It occurs before the change is applied to the item. ItemChanged can also occur when the AcceptText or Update method is called for a DataWindow control or DataStore object.

PowerBuilder event information

Event ID: pbm_dwnitemchange

Table 8.17:

Argument	Description
row	Long by value. The number of the row containing the item whose value is being changed.
dwo	DWObject by value. A reference to the column containing the item whose value has been changed. Dwo is a reference to the column control, not the name of the column.
data	String by value. The new data the user has specified for the item.

Return Values

Set the return code to affect the outcome of the event:

0 -- (Default) Accept the data value

1 -- Reject the data value and do not allow focus to change

2 -- Reject the data value but allow the focus to change

For information on setting the return code in a particular environment, see [About return values for DataWindow events](#).

Usage

The ItemChanged event does not occur when the DataWindow control itself loses focus. If the user clicks on an Update or Close button, you will need to write a script that calls AcceptText to see if a changed value should be accepted before the button's action occurs. For information on the right way to do this, see [AcceptText](#).

Obsolete techniques in PowerBuilder

Information formerly provided by the GetText method is available in the data argument.

Instead of calling SetActionCode, use a RETURN statement with a return code.

Examples

This example uses the ItemChanged event to provide additional validation; if the column is emp_name, it checks that only letters were entered in the column:

```
IF Dwo.name = "Emp_name" THEN
    IF NOT Match(Data, "^[A-Za-z]$") THEN
        RETURN 2
    END IF
END IF
```

See also

[ItemError](#)

8.28 ItemError

Description

Occurs when a field has been modified, the field loses focus (for example, the user presses Enter, Tab, or an arrow key or clicks the mouse on another field in the DataWindow), and the data in the field does not pass the validation rules for its column. ItemError can also occur when a value imported into a DataWindow control or DataStore does not pass the validation rules for its column.

PowerBuilder event information

Event ID: pbm_dwnitemvalidationerror

Table 8.18:

Argument	Description
row	Long by value. The number of the row containing the item whose new value has failed validation.
dwo	DWObject by value. A reference to the column containing the item. Dwo is a reference to the column control, not the name of the column.
data	String by value. The new data the user specified for the item.

Return Values

Set the return code to affect the outcome of the event:

0 -- (Default) Reject the data value and show an error message box

1 -- Reject the data value with no message box

2 -- Accept the data value

3 -- Reject the data value but allow focus to change

For information on setting the return code in a particular environment, see [About return values for DataWindow events](#).

Usage

If the return code is 0 or 1 (rejecting the data), the field with the incorrect data regains the focus.

The ItemError event occurs instead of the ItemChanged event when the new data value fails a validation rule. You can force the ItemError event to occur by rejecting the value in the ItemChanged event.

Obsolete techniques in PowerBuilder

Information provided by the GetText and GetRow methods is now available in the data and row arguments.

Instead of calling GetColumnName, use the dwo argument and a reference to its Name property.

Instead of calling SetActionCode, use a RETURN statement with the return codes listed above.

Examples

The following excerpt from an ItemError event script of a DataWindow control allows the user to blank out a column and move to the next column. For columns with datatypes other than string, the user cannot leave the value empty (the empty string does not match the datatype). If the user tried to leave the value blank, this code sets the value of the column to a null value of the appropriate datatype.

```
string ls_colname, ls_datatype

ls_colname = dwo.Name
ls_datatype = dwo.ColType
// Reject the value if non-blank
IF Trim(data) <> "" THEN
    RETURN 0
END IF

// Set value to null if blank
CHOOSE CASE ls_datatype

    CASE "long"
        integer null_num
        SetNull(null_num)
        This.SetItem(row, ls_colname, null_num)
        RETURN 3

    CASE "date"
        date null_date
```

```

SetNull(null_date)
This.SetItem(row, ls_colname, null_date)
RETURN 3

// Additional cases for other datatypes
END CHOOSE

```

See also[ItemChanged](#)

8.29 ItemFocusChanged

Description

Occurs when the current item in the control changes.

PowerBuilder event information

Event ID: pbm_dwnitemchange focus

Table 8.19:

Argument	Description
row	Long by value. The number of the row containing the item that just gained focus.
dwo	DWObject by value. A reference to the column containing the item.

Return Values

There are no special outcomes for this event. The only code is:

0 -- Continue processing

Usage

ItemFocusChanged occurs when focus is set to another column in the DataWindow, including when the DataWindow is first displayed.

The row and column together uniquely identify an item in the DataWindow.

PowerBuilder programming note

In the ItemFocusChanged event, dwo is always a column control. Therefore, you can get more information about it by examining any properties that are appropriate for columns such as dwo.id and dwo.Name.

Examples

This example reports the row and column that just gained focus and that just lost focus. (The first time the event occurs, there is no item that just lost focus; the script saves the row number and column name in two instance variables called ii_row and is_colname so that the old item is known the next time the event occurs.)

```

IF ii_row > 0 THEN
    sle_olditem.Text = "Old row: " + String(ii_row) &
        + " Old column: " + is_colname
END IF

sle_newitem.Text = "New row: " + String(row) &

```

```

+ " New column: " + dwo.Name

// Replace values of instance variables
// with info for next change in focus
ii_row = row

is_colname = dwo.Name

```

See also[RowFocusChanged](#)[RowFocusChanging](#)

8.30 KeyDown

Description

Occurs for each keystroke when the user is editing in the DataWindow edit control.

PowerBuilder event information

Event ID: pbm_dwnkey

KeyDown is not a standard PowerBuilder DataWindow event. To write a script for this event, you must first define a user-defined event for the event ID pbm_dwnkey.

Table 8.20:

Argument	Description
key	Integer by value.
keyflags	UnsignedLong by value. The modifier keys that are pressed. The keyflags value is the sum of the values for all the pressed keys. Key values are: <ul style="list-style-type: none"> • 1 -- Shift key • 2 -- Ctrl key • 3 -- Shift + Ctrl keys

Return Values

There are no special outcomes for this event. The only code is:

0 -- Continue processing

8.31 LoseFocus

Description

Occurs just before a control loses focus (after it becomes inactive).

PowerBuilder event information

Event ID: pbm_dwnkillfocus

Return Values

There are no special outcomes for this event. The only code is:

0 -- Continue processing

Usage

Write code for a control's LoseFocus event if you want some processing to occur when the user changes focus to another control.

PowerBuilder programming note

Because the MessageBox function grabs focus, you should not use it when focus is changing, such as in a LoseFocus event. Instead, you might display a message in the window's title or a MultiLineEdit.

When to call AcceptText

You should not call AcceptText in the LoseFocus event or from a user event posted from LoseFocus, unless the DataWindow control no longer has focus. For information about the right way to call AcceptText when the DataWindow control loses focus, see the AcceptText method.

See also

[GetFocus](#)

[AcceptText](#) method

8.32 MessageText

Description

Occurs when a crosstab DataWindow generates a message. Typical messages are Retrieving data and Building crosstab.

PowerBuilder event information

Event ID: pbm_dwnmessageText

MessageText is not a standard PowerBuilder DataWindow event. To write a script for this event, you must first define a user-defined event for the event ID pbm_dwnmessagetext.

Table 8.21:

Argument	Description
text	String by value. The message text.

Return Values

There are no special outcomes for this event. The only code is:

0 -- Continue processing

Examples

The following line in the user event for pbm_dwnmessagetext displays informational messages as MicroHelp in an MDI application (w_crosstab is an MDI frame window). The informational messages are displayed in the MDI application's MicroHelp as the crosstab is rebuilt:

```
w_crosstab.SetMicroHelp(text)
```

See also[GetFocus](#)

8.33 MouseMove

Description

Occurs when the user moves the mouse pointer in a DataWindow control.

PowerBuilder event information

Event ID: pbm_dwnmousemove

MouseMove is not a standard PowerBuilder DataWindow event. To write a script for this event, you must first define a user event for the event ID pbm_dwnmousemove.

Table 8.22:

Argument	Description
xpos	Integer by value. The distance of the pointer from the left side of the DataWindow's workspace. The distance is given in pixels.
ypos	Integer by value. The distance of the pointer from the top of the DataWindow's workspace. The distance is given in pixels.
row	Long by value. The number of the row under the pointer. If the pointer is not over a row, the value of the row argument is 0. For example, row is 0 when the user double-clicks outside the data area, in text or spaces between rows, or in the header, summary, or footer area.
dwo	DWObject by value. A reference to the control within the DataWindow that is under the pointer.

Return Values

There are no special outcomes for this event. The only code is:

0 -- Continue processing

Usage

The dwo, Name, or DWObject argument provides easy access to the control the user clicks. You do not need to know the coordinates of elements within the DataWindow to program control-specific responses to the user's clicks. For example, you can prevent editing of a column and use the Clicked event to set data or properties for the column and row the user clicks.

PowerBuilder programming note

The xpos and ypos arguments provide the same values the functions PointerX and PointerY return when you call them for the DataWindow control.

See also[Clicked](#)[DoubleClicked](#)

[MouseUp](#)[RButtonDown](#)

8.34 MouseUp

Description

Occurs when the user releases a mouse button in a DataWindow control.

PowerBuilder event information

Event ID: pbm_dwnlbuttonup

MouseUp is not a standard PowerBuilder DataWindow event. To write a script for this event, you must first define a user event for the event ID pbm_dwnlbuttonup.

Table 8.23:

Argument	Description
xpos	Integer by value. The distance of the pointer from the left side of the DataWindow's workspace. The distance is given in pixels.
ypos	Integer by value. The distance of the pointer from the top of the DataWindow's workspace. The distance is given in pixels.
row	Long by value. The number of the row under the pointer. If the pointer is not over a row, the value of the row argument is 0. For example, row is 0 when the user double-clicks outside the data area, in text or spaces between rows, or in the header, summary, or footer area.
dwo	DWObject by value. A reference to the control within the DataWindow that is under the pointer.

Return Values

There are no special outcomes for this event. The only code is:

0 -- Continue processing

Usage

The dwo, Name, or DWObject argument provides easy access to the control the user clicks. You do not need to know the coordinates of elements within the DataWindow to program control-specific responses to the user's clicks. For example, you can prevent editing of a column and use the Clicked event to set data or properties for the column and row the user clicks.

PowerBuilder programming note

The xpos and ypos arguments provide the same values the functions PointerX and PointerY return when you call them for the DataWindow control.

See also

[Clicked](#)[DoubleClicked](#)

[MouseMove](#)

8.35 OnSubmit

Description

This event is triggered just before the Web DataWindow causes a submit.

Obsolete event

OnSubmit is obsolete and should not be used, because the Web DataWindow technology is obsolete.

Web DataWindow client control event information

Event name: OnSubmit

Return Values

Returning 1 from this event will prevent the submit from occurring.

Usage

Use to host multiple DataWindows.

Examples

The following client side script transfers the context and action from one DataWindow to the DataWindow being submitted.

```
<SCRIPT>
function dw_first_OnSubmit()
{
    dw_first.submitForm.dw_second_context.value =
        dw_second.GetFullContext();
    dw_first.submitForm.dw_second_action.value = "";
}

function dw_second_OnSubmit()
{
    dw_second.submitForm.dw_first_context.value =
        dw_first.GetFullContext();
    dw_second.submitForm.dw_first_action.value = "";
}
</SCRIPT>
```

To enable the second DataWindow to create the required fields on the submit form, each of the DataWindows must have two arguments defined in the SelfLinkArgs property:

- dw_first must have dw_second_context and dw_second_action defined
- dw_second must have dw_first_context and dw_first_action defined

8.36 Printend

Description

Occurs when the printing of a DataWindow or DataStore ends.

PowerBuilder event information

Event ID: pbm_dwnprintend

Table 8.24:

Argument	Description
pagesprinted	Long by value. The total number of pages that were printed.

Return Values

There are no special outcomes for this event. The only code is:

0 -- Continue processing

Examples

This statement displays the number of pages that were printed after the Print method was called to print the contents of the DataWindow control:

```
st_1.Text = String(pagesprinted) &  
+ " page(s) have been printed."
```

See also

[PrintMarginChange](#)

[PrintPage](#)

[PrintStart](#)

8.37 PrintMarginChange

Description

Occurs when the print margins of the DataWindow change.

PowerBuilder event information

Event ID: pbm_dwnprintmarginchange

PrintMarginChange is not a standard PowerBuilder DataWindow event. To write a script for this event, you must first define a user-defined event for the event ID pbm_dwnprintmarginchange.

Return Values

There are no special outcomes for this event. The only code is:

0 -- Continue processing

See also

[Printend](#)

[PrintPage](#)

[PrintStart](#)

8.38 PrintPage

Description

Occurs before each page of the DataWindow or DataStore is formatted for printing.

PowerBuilder event information

Event ID: pbm_dwnprintpage

Table 8.25:

Argument	Description
pagenumber	Long by value. The number of the page about to be printed.
copy	Long by value. The number of the copy being printed.

Return Values

Set the return code to affect the outcome of the event:

0 -- Do not skip the page

1 -- Skip the page

For information on setting the return code in a particular environment, see [About return values for DataWindow events](#).

Usage

The PrintPage event for a DataWindow control recalculates DataWindow pages before each page of a DataWindow object is formatted for printing. However, you cannot use this event to modify the page number of the current page or the remaining pages in the DataWindow.

Examples

After a script prints a DataWindow control, you can limit the number of pages to be printed by suppressing every page after page 50.

This statement in a CommandButton's Clicked event script prints the contents of the DataWindow control:

```
dw_1.Print()
```

This code in the PrintPage event of dw_1 cancels printing after reaching page 50:

```
IF pagenumber > 50 THEN This.PrintCancel()
```

If you know every fifth page of the DataWindow contains the summary information you want, you can suppress the other pages with some arithmetic and a RETURN statement:

```
IF Mod(pagenumber / 5) = 0 THEN  
    RETURN 0  
ELSE  
    RETURN 1  
END IF
```

See also

[Printend](#)

[PrintMarginChange](#)

[PrintStart](#)

8.39 PrintStart

Description

Occurs when the printing of the DataWindow or DataStore starts.

PowerBuilder event information

Event ID: pbm_dwnprintstart

Table 8.26:

Argument	Description
pagesmax	Long by value. The total number of pages that will be printed, unless pages are skipped.

Return Values

There are no special outcomes for this event. The only code is:

0 -- Continue processing

Usage

To skip printing some of the pages in the DataWindow or DataStore, write code for the PrintPage event.

See also

[Printend](#)

[PrintMarginChange](#)

[PrintPage](#)

8.40 ProcessEnter

Description

Occurs when the user presses the Enter key when focus is in the DataWindow or the DataWindow's edit control.

PowerBuilder event information

Event ID: pbm_dwnprocessenter

ProcessEnter is not a standard PowerBuilder DataWindow event. To write a script for this event, you must first define a user-defined event for the event ID pbm_dwnprocessenter.

Return Values

There are no special outcomes for this event. The only code is:

0 -- Continue processing

8.41 RButtonDown

Description

Occurs when the right mouse button is pressed on the DataWindow control.

PowerBuilder event information

Event ID: pbm_dwnrbuttondown

Table 8.27:

Argument	Description
flags	<p>UnsignedLong by value. The modifier keys and mouse buttons that are pressed. The flags value is the sum of the values for all the pressed keys and buttons.</p> <p>Key and button values are:</p> <ul style="list-style-type: none"> • 1 -- Left mouse button • 2 -- Right mouse button • 4 -- Shift key • 8 -- Ctrl key • 16 -- Middle mouse button <p>In the RButtonDown event, the right mouse button is always pressed, so 2 is always summed in the value of flags.</p> <p>For information on evaluating the flags value, see Syntax 2 of MouseMove in the PowerScript Reference.</p>
xpos	Integer by value. The distance of the pointer from the left edge of the window's workspace in pixels.
ypos	Integer by value. The distance of the pointer from the top of the window's workspace in pixels.

Return Values

There are no special outcomes for this event. The only code is:

0 -- Continue processing

See also

[Clicked](#)

8.42 Resize**Description**

Occurs when the user or a script opens or resizes the client area of a DataWindow control.

PowerBuilder event information

Event ID: pbm_dwnresize

Table 8.28:

Argument	Description
sizetype	UnsignedLong by value.

Argument	Description
	<ul style="list-style-type: none"> • 0 -- (SIZE_RESTORED) The DataWindow has been resized, but it was not minimized or maximized. The user may have dragged the borders or a script may have called the Resize method. • 1 -- (SIZE_MINIMIZED) The DataWindow has been minimized. • 2 -- (SIZE_MAXIMIZED) The DataWindow has been maximized.
newwidth	Integer by value. The width of the client area of the DataWindow control in pixels.
newheight	Integer by value. The height of the client area of the DataWindow control in pixels.

Return Values

There are no special outcomes for this event. The only code is:

0 -- Continue processing

8.43 RetrieveEnd

Description

Occurs when the retrieval for the DataWindow or DataStore is complete.

PowerBuilder event information

Event ID: pbm_dwnretrieveend

Table 8.29:

Argument	Description
rowcount	Long by value. The number of rows that were retrieved.

Return Values

There are no special outcomes for this event. The only code is:

0 -- Continue processing

Usage

The number of rows retrieved in the rowcount argument is an unfiltered value.

Examples

This message box displayed in the RetrieveEnd event script tells the user the number of rows just retrieved:

```
MessageBox("Total rows retrieved", String(rowcount))
```

See also

[RetrieveRow](#)

[RetrieveStart](#)

[SQLPreview](#)

[UpdateStart](#)

8.44 RetrieveRow

Description

Occurs after a row has been retrieved.

PowerBuilder event information

Event ID: pbm_dwnretrieverow

Table 8.30:

Argument	Description
row	Long by value. The number of the row that was just retrieved

Return Values

Set the return code to affect the outcome of the event:

0 -- Continue processing

1 -- Stop the retrieval

For information on setting the return code in a particular environment, see [About return values for DataWindow events](#).

Usage

If you want to guard against potentially large queries, you can have code in the RetrieveRow event check the row argument and decide whether the user has reached a maximum limit. When row exceeds the limit, you can return 1 to abort the retrieval (in which case the retrieval cannot be resumed).

A script in the RetrieveRow event (even a comment) can significantly increase the time it takes to complete a query.

Obsolete methods in PowerBuilder

Instead of calling SetActionCode, use the RETURN statement with a return code instead.

Examples

This code for the RetrieveRow event aborts the retrieval after 250 rows have been retrieved.

```
IF ll_row > 250 THEN
    MessageBox("Retrieval Halted", &
        "You have retrieved 250 rows, the allowed &
        maximum.")
    RETURN 1
ELSE
    RETURN 0
END IF
```

See also

[RetrieveEnd](#)

[RetrieveStart](#)

[SQLPreview](#)

[UpdateStart](#)

8.45 RetrieveStart

Description

Occurs when the retrieval for the DataWindow or DataStore is about to begin.

PowerBuilder event information

Event ID: pbm_dwnretrievestart

Return Values

Set the return code to affect the outcome of the event:

0 -- Continue processing

1 -- Do not perform the retrieval

2 -- Do not reset the rows and buffers before retrieving data

For information on setting the return code in a particular environment, see [About return values for DataWindow events](#).

Usage

A return code of 2 prevents previously retrieved data from being cleared, allowing the current retrieval process to append new rows to the old data.

Obsolete methods in PowerBuilder

Instead of calling SetActionCode, use the RETURN statement with a return code instead.

Examples

This statement in the RetrieveStart event prevents a reset from taking place (rows will be added to the end of the previously retrieved rows):

```
RETURN 2
```

This statement in the RetrieveStart event aborts the retrieval:

```
RETURN 1
```

This code allows rows to be retrieved only when a user has an ID between 101 and 200 inclusive (the ID was stored in the instance variable il_id_number when the user started the application); all other IDs cannot retrieve rows:

```
CHOOSE CASE il_id_number
    CASE IS < 100
        RETURN 1

    CASE 101 to 200
        RETURN 0

    CASE IS > 200
        RETURN 1
END CHOOSE
```

See also

[RetrieveEnd](#)

[RetrieveRow](#)[SQLPreview](#)[UpdateStart](#)

8.46 RichTextCurrentStyleChanged

Description

Occurs when a column with the RichText edit style has focus and the current style of the selection or cursor position has changed.

PowerBuilder event information

Event ID: pbm_dwnrichtextcurrentstylechanged

Table 8.31:

Argument	Description
row	Long by value. The number of the row the user clicked.
dwo	DWObject by value. A reference to the control within the DataWindow under the pointer when the user clicked.

Return Values

There are no special outcomes for this event. The only code is:

0 -- Continue processing

8.47 RichTextLoseFocus

Description

Occurs when a column with the RichText edit style loses focus.

PowerBuilder event information

Event ID: pbm_dwnrichtextlosefocus

Table 8.32:

Argument	Description
row	Long by value. The number of the row the user clicked.
dwo	DWObject by value. A reference to the control within the DataWindow under the pointer when the user clicked.

Return Values

There are no special outcomes for this event. The only code is:

0 -- Continue processing

8.48 RichTextLimitError

Description

Occurs when data in a column with the RichText edit style exceeds column size.

PowerBuilder event information

Event ID: pbm_dwnrichtextlimiterror

Table 8.33:

Argument	Description
row	Long by value. The number of the row the user clicked.
dwo	DWObject by value. A reference to the control within the DataWindow under the pointer when the user clicked.
text	String by value. Plain text of column the user edited.

Return Values

There are no special outcomes for this event. The only code is:

0 -- Continue processing

8.49 RowFocusChanged

Description

Occurs when the current row changes in the DataWindow.

PowerBuilder event information

Event ID: pbm_dwnrowchange

Table 8.34:

Argument	Description
currentrow	Long by value. The number of the row that has just become current.

Return Values

There are no special outcomes for this event. The only code is:

0 -- Continue processing

Usage

The SetRow method, as well as user actions, can trigger the RowFocusChanged and ItemFocusChanged events.

In a read-only DataWindow, when you click on any column that is not in the current row, the RowFocusChanging and RowFocusChanged events fire, but the current column is not changed -- the current column remains at 0, since no column can have focus. DataWindows are read-only if updates are not allowed, all tab orders are set to 0, or all tab columns are protected.

If, however, focus is on an editable column in an updatable DataWindow (a DataWindow that has one or more editable columns), the row focus events do not fire when you click on a protected column or on a column whose tab order is 0. The focus remains on the current, editable column.

If focus moves off an editable column in an updatable DataWindow, the DataWindow switches to read-only mode. This can happen when the last row in the DataWindow does not have an editable column. In this case, tabbing off the last editable column causes the row focus to move to the row following the row with the last editable column. The DataWindow then remains in read-only mode until focus is given to an editable column.

When you use the ScrollToRow method to change focus, the RowFocusChanging event is triggered before the scroll occurs, and the RowFocusChanged event is triggered after the scroll occurs.

Examples

This example displays the current row number and the total number of rows in a SingleLineEdit:

```
sle_1.Text = "Row " + String(currentrow) &
  + " of " + String(This.RowCount())
```

See also

[ItemFocusChanged](#)

[RowFocusChanging](#)

8.50 RowFocusChanging

Description

Occurs when the current row is about to change in the DataWindow. (The current row of the DataWindow is not necessarily the same as the current row in the database.)

The RowFocusChanging event occurs just before the RowFocusChanged event.

PowerBuilder event information

Event ID: pbm_dwnrowchanging

Table 8.35:

Argument	Description
currentrow	Long by value. The number of the row that is current (before the row is deleted or its number changes). If the DataWindow object is empty, currentrow is 0 to indicate there is no current row.
newrow	Long by value. The number of the row that is about to become current. If the new row is going to be an inserted row, newrow is 0 to indicate that it does not yet exist.

Return Values

Set the return code to affect the outcome of the event:

0 -- Continue processing (setting the current row)

1 -- Prevent the current row from changing

For information on setting the return code in a particular environment, see [About return values for DataWindow events](#).

Usage

Typically the RowFocusChanging event is coded to respond to a mouse click or keyboard action that would change the current row in the DataWindow object. The following methods can also trigger the RowFocusChanging event, as well as the RowFocusChanged and ItemFocusChanged events, when the action changes the current row:

SetRow
Retrieve
RowsCopy
RowsMove
DeleteRow
RowsDiscard

In these cases, the RowFocusChanging event script can prevent the changing of the DataWindow object's current row only. The script cannot prevent the data from being changed (for example, the rows still get moved).

When you use the ScrollToRow method to change focus, the RowFocusChanging event is triggered before the scroll occurs, and the RowFocusChanged event is triggered after the scroll occurs.

In a tabular DataWindow, if the user clicks to change rows, the row focus does not change, and the row and DataWindow do not scroll. You can still scroll programmatically or by using the scroll bar.

In a read-only DataWindow, when you click on any column that is not in the current row, the RowFocusChanging and RowFocusChanged events fire, but the current column is not changed -- the current column remains at 0, since no column can have focus. DataWindows are read-only if updates are not allowed, all tab orders are set to 0, or all tab columns are protected.

However, if focus is on an editable column in an updatable DataWindow (a DataWindow that has one or more editable columns), the row focus events do not fire when you click on a protected column or on a column whose tab order is 0. The focus remains on the current, editable column.

If focus moves off an editable column in an updatable DataWindow, the DataWindow switches to read-only mode. This can happen when the last row in the DataWindow does not have an editable column. In this case, tabbing off the last editable column causes the row focus to move to the row following the row with the last editable column. The DataWindow then remains in read-only mode until focus is given to an editable column.

Examples

This example displays a message alerting you that changes have been made in the window dw_detail which will be lost if the row focus is changed to the window dw_master.

```
IF dw_detail.DeletedCount() > 0 OR &
    dw_detail.ModifiedCount() > 0 THEN
    MessageBox("dw_master", "Changes will be lost &
        in Detail")
ELSE
    RETURN 0
END IF
```

See also

[ItemFocusChanged](#)

[RowFocusChanged](#)

8.51 ScrollHorizontal

Description

Occurs when user scrolls left or right in the DataWindow with the tab or arrow keys or the scroll bar.

PowerBuilder event information

Event ID: pbm_dwnhscroll

Table 8.36:

Argument	Description
scrollpos	Long by value. The distance in PowerBuilder units of the scroll box from the left end of the scroll bar (if the DataWindow is split, in the pane being scrolled).
pane	Integer by value. The number of the pane being scrolled. (When the DataWindow is split with two scroll bars, there are two panes.) Values are: <ul style="list-style-type: none"> • 1 -- The left pane (if the scroll bar is not split, the only pane). • 2 -- The right pane.

Return Values

There are no special outcomes for this event. The only code is:

0 -- Continue processing

Examples

This example displays the customer ID of the current row (the cust_id column) in a SingleLineEdit control when the pane being scrolled is pane 1 and the position is greater than 100:

```
string ls_id
ls_id = ""
IF pane = 1 THEN
    IF scrollpos > 100 THEN
        ls_id = String(dw_1.Object.Id[dw_1.GetRow()])
    END If
END IF
sle_message.Text = ls_id
RETURN 0
```

See also

[ScrollVertical](#)

8.52 ScrollVertical

Description

Occurs when user scrolls up or down in the DataWindow with the Tab or arrow keys or the scroll bar.

PowerBuilder event information

Event ID: pbm_dwnvscroll

Table 8.37:

Argument	Description
scrollpos	Long by value. The distance in PowerBuilder units of the scroll box from the top of the scroll bar.

Return Values

There are no special outcomes for this event. The only code is:

0 -- Continue processing

Examples

As the user scrolls vertically, this script displays the range of rows currently being displayed in the DataWindow:

```
long ll_numrows
string ls_firstrow, ls_lastrow

ll_numrows = dw_1.RowCount()
ls_firstrow = dw_1.Object.Datawindow.FirstRowOnPage
ls_lastrow = dw_1.Object.Datawindow.LastRowOnPage

sle_message.Text = "Rows " + ls_firstrow &
    + " through " + ls_lastrow + " of " &
    + String(ll_numrows)

RETURN 0
```

See also

[ScrollHorizontal](#)

8.53 SQLPreview**Description**

Occurs immediately before a SQL statement is submitted to the DBMS. Methods that trigger DBMS activity are Retrieve, Update, and ReselectRow.

PowerBuilder event information

Event ID: pbm_dwssql

Table 8.38:

Argument	Description
request	SQLPreviewFunction by value. The function that initiated the database activity. For a list of valid values, see SQLPreviewFunction .
sqltype	SQLPreviewType by value. The type of SQL statement being sent to the DBMS. For a list of valid values, see SQLPreviewType .

Argument	Description
sqlsyntax	String by value. The full text of the SQL statement.
buffer	DWBuffer by value. The buffer containing the row involved in the database activity. For a list of valid values, see DWBuffer .
row	Long by value. The number of the row involved in the database activity, that is, the row being updated, selected, inserted, or deleted.

Return Values

Set the return code to affect the outcome of the event:

- 0 -- Continue processing
- 1 -- Stop processing
- 2 -- Skip this request and execute the next request

For information on setting the return code in a particular environment, see [About return values for DataWindow events](#).

Usage

Some uses for the sqlsyntax argument are:

- Changing the SQL to be executed (you can get the value of sqlsyntax, modify it, and call SetSQLPreview)
- Keeping a record (you can write the SQL statement to a log file)

Reported row number

The row number stored in row is the number of the row in the buffer, not the number the row had when it was retrieved into the DataWindow object.

If the row that caused the error is in the Filter buffer, you must unfilter it if you want the user to correct the problem.

GetSQLPreview and binding

When binding is enabled for your database, the SQL returned in the GetSQLPreview method may not be complete -- the input arguments are not replaced with the actual values. For example, when binding is enabled, GetSQLPreview might return the following SQL statement:

```
INSERT INTO "cust_order" ( "ordnum", "custnum", "duedate", "balance" )
VALUES ( ?, ?, ?, ? )
```

When binding is disabled, it returns:

```
INSERT INTO "cust_order" ( "ordnum", "balance", "duedate", "custnum" )
VALUES ( '12345', 900, '3/1/94', '111' )
```

If you require the complete SQL statement for logging purposes, you should disable binding in your DBMS.

For more information about binding, see [Connecting to Your Database](#).

Obsolete methods in PowerBuilder

Information formerly provided by `GetSQLPreview` and `GetUpdateStatus` is available in the arguments `sqlsyntax`, `row`, and `buffer`.

Examples

This statement in the `SQLPreview` event sets the current SQL string for the DataWindow `dw_1`:

```
dw_1.SetSQLPreview( &
    "INSERT INTO billings VALUES(100, " + &
    String(Current_balance) + ")")
```

See also

[RetrieveStart](#)

[UpdateEnd](#)

[UpdateStart](#)

8.54 TabDownOut

Description

Occurs when the user presses Enter or the down arrow to change focus to the next control in a window or user object.

PowerBuilder event information

Event ID: `pbm_dwntabdownout`

`TabDownOut` is not a standard PowerBuilder DataWindow event. To write a script for this event, you must first define a user-defined event for the event ID `pbm_dwntabdownout`.

Return Values

There are no special outcomes for this event. The only code is:

0 -- Continue processing

8.55 TabOut

Description

Occurs when the user presses Tab or, in some edit styles, the right arrow, to move to the next control in a window or user object.

PowerBuilder event information

Event ID: `pbm_dwntabout`

`TabOut` is not a standard PowerBuilder DataWindow event. To write a script for this event, you must first define a user-defined event for the event ID `pbm_dwntabout`.

Return Values

There are no special outcomes for this event. The only code is:

0 -- Continue processing

8.56 TabUpOut

Description

Occurs when the user presses Shift+Enter or the up arrow to move to the previous control in a window or user object.

PowerBuilder event information

Event ID: pbm_dwntabupout

TabUpOut is not a standard PowerBuilder DataWindow event. To write a script for this event, you must first define a user-defined event for the event ID pbm_dwntabupout.

Return Values

There are no special outcomes for this event. The only code is:

0 -- Continue processing

8.57 TreeNodeSelected

Description

Occurs after a node in a TreeView DataWindow is selected.

PowerBuilder event information

Event ID: pbm_dwntreenodeselectd

Table 8.39:

Argument	Description
row	Long by value. The number of the first row in the group that has been selected.
grouplevel	Long by value. The level of the group that has been selected.

Return Values

There are no return codes.

Usage

A TreeView node is selected when the user clicks the State icon (-) in the TreeView DataWindow or uses any of the Collapse methods.

The TreeNodeSelected event occurs after the selecting operation when the user selects a tree node using the SelectTreeNode method.

Examples

The following statements in the TreeNodeSelected event refresh the text box value with the new node:

```
sle_row.text = string(row)
sle_level.text = string(grouplevel)
return 0
```

See also

[TreeNodeSelecting](#)

8.58 TreeNodeSelecting

Description

Occurs before a node in a TreeView DataWindow is selected.

PowerBuilder event information

Event ID: pbm_dwtreenodeselecting

Table 8.40:

Argument	Description
row	Long by value. The number of the first row in the group to be selected.
grouplevel	Long by value. The TreeView level of the group to be selected.

Return Values

Set the return code to affect the outcome of the event. Return 0 to continue the selecting operation or return any other value to cancel the selecting operation.

Usage

The TreeNodeSelecting event occurs before the user selects a TreeNode or uses the SelectTreeNode method.

Examples

The following statements in the TreeNodeSelecting event refresh the text box value with the new node:

```
sle_row.text = string(row)
sle_level.text = string(grouplevel)
return 0
```

See also

[TreeNodeSelected](#)

8.59 UpdateEnd

Description

Occurs when all the updates to the database from the DataWindow (or DataStore) are complete.

PowerBuilder event information

Event ID: pbm_dwnupdateend

Table 8.41:

Argument	Description
rowsinserted	Long by value. The number of rows inserted.
rowsupdated	Long by value. The number of rows updated.
rowsdeleted	Long by value. The number of rows deleted.

Return Values

There are no special outcomes for this event. The only code is:

0 -- Continue processing

See also

[RetrieveStart](#)

[SQLPreview](#)

[UpdateStart](#)

8.60 UpdateStart

Description

Occurs after a script calls the Update method and just before changes in the DataWindow or DataStore are sent to the database.

PowerBuilder event information

Event ID: pbm_dwnupdatestart

Return Values

Set the return code to affect the outcome of the event:

0 -- Continue processing

1 -- Do not perform the update

For information on setting the return code in a particular environment, see [About return values for DataWindow events](#).

See also

[RetrieveStart](#)

[SQLPreview](#)

[UpdateEnd](#)

8.61 WSError (Obsolete)

Description

Occurs when an error is returned for a DataWindow using a Web service data source. The error can occur during any of the following operations: connect, retrieve, delete, insert, update, or disconnect.

PowerBuilder event information

Event ID: pbm_dwnwserror

Table 8.42:

Argument	Description
operation	String for the type of operation (Retrieve, Update, Insert, Delete, Connect, or Disconnect)

Argument	Description
rownum	Long for the row number or 0 if not applicable, such as when an error occurs during connection to the Web service
buffername	String for the name of the buffer being accessed while the error occurred (Primary, Filter, or Delete)
wsinfo	String for the WSDL file, the URL that defines the Web service, or the assembly that is used access the Web service
method	String for the name of the Web service method invoked
errormessage	String for the exception message returned from the method

Return Values

Set the return code to affect the outcome of the event:

0 -- Display the error message

1 -- Do not display the error message

For information on setting the return code in a particular environment, see [About return values for DataWindow events](#).

Usage

Because you cannot use the DBError event with a Web Service DataWindow, you must use the WSError event to obtain any error information.

Examples

The following code in a WSError event script causes information about an error to display in a message box:

```
MessageBox("Error event", "Error in row " &  
+ string(rownum) + ", Occurred during " + method &  
+ "; the cause of the error is: "+ errormessage)
```

See also

[DBError](#)

9 Methods for the DataWindow Control

About this chapter

This chapter documents the methods of the DataWindow control in the PowerBuilder and Web environments. You will find syntax, notes, and examples for all environments.

Methods for graphs are in [Methods for Graphs in the DataWindow Control](#).

Contents

The methods in this chapter are listed alphabetically.

Before you begin

For methods (or functions) in the PowerBuilder environment that apply to controls other than DataWindows and DataStores, see Part I, “PowerScript Reference”.

9.1 AboutBox (obsolete)

Description

Displays a dialog identifying the DataWindow, including copyright and version information.

Obsolete method

AboutBox is obsolete and should not be used, because the DataWindow Web Control for ActiveX technology is obsolete. An obsolete feature is no longer eligible for technical support and will no longer be enhanced, although it is still available.

Applies to

Table 9.1:

DataWindow type	Method applies to
Web ActiveX	DataWindow control

Syntax

Web ActiveX

```
void dwcontrol.AboutBox ( )
```

Return value

None

9.2 AcceptText

Description

Applies the contents of the DataWindow's edit control to the current item in the buffer of a DataWindow control or DataStore. The data in the edit control must pass the validation rule for the column before it can be stored in the item.

Applies to

Table 9.2:

DataWindow type	Method applies to
PowerBuilder	DataWindow control, DataWindowChild object, DataStore object

Syntax**PowerBuilder**

```
integer dwcontrol.AcceptText ( )
```

Table 9.3:

Argument	Description
dwcontrol	A reference to a DataWindow control, DataStore, or child DataWindow

Return value

Returns 1 if it succeeds and -1 if it fails (for example, the data did not pass validation).

If there is no DataWindow object assigned to the DataWindow control or DataStore, this method returns 1.

Usage

When a user moves from item to item in a DataWindow control, the control validates and accepts data the user has edited.

How to call AcceptText

When a user modifies a DataWindow item then immediately changes focus to another control in the window, the DataWindow control does not accept the modified data -- the data remains in the edit control. Use the AcceptText method in this situation to ensure that the DataWindow object contains the data the user edited.

However, you must not call AcceptText in the LoseFocus event or in a user event posted from LoseFocus if the DataWindow control still has focus. If you do, an infinite loop can occur.

The problem

Normally, new data is validated and accepted when the user moves to a new cell in the DataWindow. If the new data causes an error, a message box displays, which causes the DataWindow to lose focus. If you have also coded the LoseFocus event or an event posted from LoseFocus to call AcceptText to validate data when the control loses focus, this AcceptText runs because of the message box and triggers an infinite loop of validation errors.

The solution

It is desirable to validate the last changed data when the control loses focus. You can accomplish this by making sure AcceptText gets called only when the DataWindow control really has lost focus. The third PowerBuilder example illustrates how to use an instance variable to keep track of whether the DataWindow control has focus. The posted event calls AcceptText only when the DataWindow control does not have focus.

This is a change from previous versions of PowerBuilder. Previously, the posted user event would run while the message box for the validation error was displayed. Now, it runs after the message box is dismissed, causing another validation error to occur and another message box to be displayed, resulting in an infinite loop.

Events

AcceptText can trigger an ItemChanged or an ItemError event.

AcceptText in the ItemChanged event

Calling AcceptText in the ItemChanged event has no effect.

Examples

In this example, the user is expected to enter a key value (such as an employee number) in a column of the DataWindow object, then click the OK button. This script for the Clicked event for the button calls AcceptText to validate the entry and place it in the DataWindow control. Then the script uses the item in the Retrieve method to retrieve the row for that key:

```
IF dw_emp.AcceptText() = 1 THEN
    dw_emp.Retrieve(dw_emp.GetItemNumber &
        (dw_emp.GetRow(), dw_emp.GetColumn()))
END IF
```

This script for the Clicked event for a CommandButton accepts the text in the DataWindow dw_Emp and counts the rows in which the column named balance is greater than 0:

```
integer i, Count
dw_employee.AcceptText()
FOR i = 1 to dw_employee.RowCount()
    IF dw_employee.GetItemNumber(i, 'balance') &
        > 0 THEN
        Count = Count + 1
    END IF
NEXT
```

This example illustrates how to validate newly entered data when the DataWindow control loses focus. An instance variable keeps track of whether the DataWindow control has focus. It is set in the GetFocus and LoseFocus events. The LoseFocus event posts the ue_acceptText event, which calls the AcceptText method only if the DataWindow control does not have focus.

The instance variable:

```
boolean dw_has_focus
```

The GetFocus event:

```
dw_has_focus = true
```

The LoseFocus event:

```
dw_has_focus = false
dw_1.event post ue_acceptText( )
```

The ue_acceptText event:

```
IF dw_has_focus = false THEN
```

```
dw_1.accepttext( )
END IF
```

See also[Update](#)

9.3 CanUndo

Description

Tests whether Undo can reverse the most recent edit in the editable control over the current row and column.

Applies to**Table 9.4:**

DataWindow type	Method applies to
PowerBuilder	DataWindow control

Syntax**PowerBuilder**

```
boolean dwcontrol.CanUndo ( )
```

Table 9.5:

Argument	Description
dwcontrol	A reference to a DataWindow control

Return value

Returns true if the last edit can be reversed (undone) using the Undo method and false if the last edit cannot be reversed.

If dwcontrol is null, the method returns null.

Usage

PowerBuilder environment

For use with other PowerBuilder controls, see Section 2.4.56, “CanUndo” in *PowerScript Reference*.

Examples

These statements check to see if the last edit in the edit control of dw_contact can be reversed; if yes the statements reverse it, and if no they display a message:

```
IF dw_contact.CanUndo() THEN
    dw_contact.Undo()
ELSE
    MessageBox(Parent.Title, "Nothing to Undo")
END IF
```

See also[Undo](#)

9.4 ClassName

Description

Provides the class (or name) of the specified object.

Applies to**Table 9.6:**

DataWindow type	Method applies to
PowerBuilder	DataWindow control

Syntax**PowerBuilder**

```
string dwcontrol.ClassName ( )
```

Table 9.7:

Argument	Description
dwcontrol	A reference to a DataWindow control

Return value

Returns the class of dwcontrol, the name assigned to the control. Returns the empty string ("") if an error occurs.

Usage

Method inherited from PowerObject. For use with variables in the PowerBuilder environment, see Section 2.4.67, “ClassName” in *PowerScript Reference*.

9.5 Clear

Description

Deletes selected text in the edit control over the current row and column, but does not store it in the clipboard.

Applies to**Table 9.8:**

DataWindow type	Method applies to
PowerBuilder	DataWindow control

Syntax**PowerBuilder**

```
long dwcontrol.Clear ( )
```

Table 9.9:

Argument	Description
dwcontrol	A reference to a DataWindow control

Return value

Returns the number of characters that Clear removed from dwcontrol. If no text is selected, no characters are removed and Clear returns 0. If an error occurs, Clear returns -1.

Usage

To select text for deleting, the user can use the mouse or keyboard. You can also call the SelectText method in a script.

To delete selected text and store it in the clipboard, use the Cut method.

PowerBuilder environment

For use with other PowerBuilder controls, see Section 2.4.68, “Clear” in *PowerScript Reference*.

Examples

If the user is editing the emp_name column in dw_emp and selects the text Wilson, this statement clears Wilson from the edit control and returns 6:

```
long chars_returned
chars_returned = dw_emp.Clear( )
```

If the text in the edit control in dw_emp is Wilson, the first statement selects the W and the second clears W from the edit control. The return value would be 1:

```
dw_emp.SelectText(1,1)
dw_emp.Clear( )
```

See also

Clear in Section 2.4.68, “Clear” in *PowerScript Reference*

[Cut](#)

[Paste](#)

[ReplaceText](#)

[SelectText](#)

9.6 ClearValues**Description**

Deletes all the items from a value list or code table associated with a DataWindow column. (A value list is called a code table when it has both display and data values.) ClearValues does not affect the data stored in the column.

Applies to

Table 9.10:

DataWindow type	Method applies to
PowerBuilder	DataWindow control, DataWindowChild object, DataStore object

Syntax**PowerBuilder**

```
integer dwcontrol.ClearValues ( string column )
integer dwcontrol.ClearValues ( integer column )
```

Table 9.11:

Argument	Description
dwcontrol	A reference to a DataWindow control or DataStore.
column	The column whose value list you want to delete. Column can be a column number (integer) or a column name (string).

Return value

Returns 1 if it succeeds and -1 if an error occurs. The return value is usually not used.

Usage

The edit style of the column can be DropDownListBox, Edit, or RadioButton. ClearValues has no effect when column has the EditMask or DropDownDataWindow edit style.

Examples

This statement clears all values from the drop-down list of dw_Employee's status column:

```
dw_Employee.ClearValues("status")
```

See also

[GetValue](#)

[SetValue](#)

9.7 Collapse**Description**

Collapses a group in a TreeView DataWindow that has the specified TreeView level and includes the specified row.

Applies to**Table 9.12:**

DataWindow type	Method applies to
PowerBuilder	DataWindow control

Syntax

PowerBuilder

```
Integer dw_control.Collapse(long row, long groupLevel)
```

Table 9.13:

Argument	Description
dw_control	A reference to a TreeView-style DataWindow control
row	The number of the row that belongs to the TreeView level of the group to be collapsed
groupLevel	The TreeView level of the group to be collapsed

Return value

Returns 1 if the collapse operation succeeds and one of the following negative values if it fails:

- 1 -- DataWindow is null
- 5 -- One or more of the parameters are invalid
- 16 -- DataWindow is not a TreeView DataWindow

Usage

A TreeView DataWindow has several TreeView level bands (groups) that can be expanded and collapsed. You can use the Collapse method to collapse a group in a TreeView DataWindow that includes a particular row in a particular TreeView level.

The Collapse method triggers the Collapsing and Collapsed events.

Examples

The following example collapses the group at TreeView level 2 that includes row 3:

```
integer li_ret
li_ret = dw_treeview.Collapse(3,2)
```

See also

[CollapseAll](#)

[CollapseAllChildren](#)

[CollapseLevel](#)

[Expand](#)

9.8 CollapseAll

Description

Collapses all groups in a TreeView DataWindow.

Applies to

Table 9.14:

DataWindow type	Method applies to
PowerBuilder	DataWindow control

Syntax**PowerBuilder**

```
Integer dw_control.CollapseAll( )
```

Table 9.15:

Argument	Description
dw_control	A reference to a TreeView-style DataWindow control

Return value

Returns 1 if the CollapseAll operation succeeds and one of the following negative values if it fails:

- 1 -- DataWindow is null
- 16 -- DataWindow is not a TreeView DataWindow

Usage

A TreeView DataWindow has several TreeView level bands (groups) that can be expanded and collapsed. You can use the CollapseAll method to collapse all groups in a TreeView DataWindow.

The CollapseAll method triggers the Collapsing and Collapsed events with row and level arguments of -1.

Examples

The following example collapses all groups:

```
integer li_ret
li_ret = dw_treeview.CollapseAll()
```

See also

[Collapse](#)

[CollapseAllChildren](#)

[CollapseLevel](#)

[ExpandAll](#)

9.9 CollapseAllChildren**Description**

Collapses a group in a TreeView DataWindow that has the specified TreeView level and includes the specified row; also collapses all the group's children.

Applies to

Table 9.16:

DataWindow type	Method applies to
PowerBuilder	DataWindow control

Syntax**PowerBuilder**

```
Integer dw_control.ExpandAllChildren(long row, long groupLevel)
```

Table 9.17:

Argument	Description
dw_control	A reference to a TreeView-style DataWindow control
row	The number of the row that belongs to the group to be collapsed
groupLevel	The TreeView level of the group to be collapsed

Return value

Returns 1 if the expand operation succeeds and one of the following negative values if it fails:

- 1 -- DataWindow is null
- 5 -- One or more of the parameters are invalid
- 16 -- DataWindow is not a TreeView DataWindow

Usage

A TreeView DataWindow has several TreeView level bands (groups) that can be expanded and collapsed. You can use the CollapseAllChildren method to collapse a group with a specified TreeView level in a TreeView DataWindow and all of its children.

The CollapseAllChildren method triggers the Collapsing and Collapsed events.

Examples

The following example collapses the group in a TreeView DataWindow that has TreeView level 2 and includes row 3 and all the group's children:

```
integer li_ret
li_ret = dw_treeview.CollapseAllChildren(3,2)
```

See also

[Collapse](#)

[CollapseAll](#)

[CollapseLevel](#)

[ExpandAllChildren](#)

9.10 CollapseLevel**Description**

Collapses all the groups in a TreeView DataWindow that have the specified TreeView level.

Applies to

Table 9.18:

DataWindow type	Method applies to
PowerBuilder	DataWindow control

Syntax

PowerBuilder

```
Integer dw_control.CollapseLevel (long groupLevel)
```

Table 9.19:

Argument	Description
dw_control	A reference to a TreeView-style DataWindow control
groupLevel	The TreeView level of the group to be collapsed

Return value

Returns 1 if the CollapseLevel operation succeeds and one of the following negative values if it fails:

- 1 -- DataWindow is null
- 5 -- One or more of the parameters are invalid
- 16 -- DataWindow is not a TreeView DataWindow

Usage

A TreeView DataWindow has several TreeView level bands (groups) that can be expanded and collapsed. You can use the CollapseLevel method to collapse all the groups in a TreeView DataWindow that have a particular TreeView level.

The CollapseLevel method triggers the Collapsing and Collapsed events with a row argument of -1.

Examples

The following example collapses TreeView level 2:

```
integer li_ret
li_ret = dw_treeview.CollapseLevel(2)
```

See also

[Collapse](#)

[CollapseAll](#)

[CollapseAllChildren](#)

[ExpandLevel](#)

9.11 Copy

Description

Puts selected text from the current row and column of an edit control onto the clipboard. Copy does not change the source text.

Applies to

Table 9.20:

DataWindow type	Method applies to
PowerBuilder	DataWindow control, OLE DWOBJECT

Syntax

PowerBuilder

```
integer objectref.Copy ( )
```

Table 9.21:

Argument	Description
objectref	<p>A reference to a DataWindow control</p> <p>or</p> <p>The fully qualified name of a OLE DWOBJECT within a DataWindow control that contains the object you want to copy to the clipboard.</p> <p>The fully qualified name for a DWOBJECT has this syntax:</p> <pre>dwcontrol.Object.dwobjectname</pre>

Return value

Returns the number of characters that were copied to the clipboard. If no text is selected in objectref, no characters are copied and Copy returns 0. If an error occurs, Copy returns -1.

For OLE DWOBJECTS, Copy returns 0 if it succeeds and one of the following negative values if an error occurs:

- 1 -- Container is empty
- 2 -- Copy Failed
- 9 -- Other error

If objectref is null, the method returns null.

Usage

To select text for copying, the user can use the mouse or keyboard. You can also call the SelectText method in a script. For the RichTextEdit presentation style in PowerBuilder, there are several additional methods for selecting text: SelectTextAll, SelectTextLine, and SelectTextWord.

To insert the contents of the clipboard into a control, use the Paste method.

Copy does not delete the selected text or OLE object. To delete the data, use the Clear or Cut method.

PowerBuilder environment

For use with other PowerBuilder controls, see Section 2.4.93, “Copy” in *PowerScript Reference*.

Examples

Assuming the selected text in the edit control of dw_emp is Temporary Address, these statements copy Temporary Address to the clipboard and store 17 in copy_amt:

```
integer copy_amt
copy_amt = dw_emp.Copy( )
```

See also

[Clear](#)

Clipboard in Section 2.4.75, “Clipboard” in *PowerScript Reference*

[Cut](#)

[Paste](#)

[ReplaceText](#)

[SelectedText](#)

9.12 CopyRTF

Description

Returns the selected text, pictures, and input fields in a RichText DataWindow as a string with rich text formatting. Bitmaps and input fields are included in the string.

Applies to

Table 9.22:

DataWindow type	Method applies to
PowerBuilder	DataWindow control, DataStore object

Syntax

PowerBuilder

```
string dwcontrol.CopyRTF ( { boolean selected { , Band band } } )
```

Table 9.23:

Argument	Description
dwcontrol	A reference to a DataWindow control or DataStore object. The DataWindow object in the DataWindow control or DataStore must be a RichText DataWindow.

Argument	Description
selected (optional)	A value indicating whether to copy selected text only. Values are: <ul style="list-style-type: none"> • true -- (Default) Copy selected text only. • false -- Copy the entire contents of the band.
band (optional)	A value specifying the band from which to copy text. For a list of valid values, see Band . The default is the band that contains the insertion point.

Return value

Returns the selected text as a string.

CopyRTF returns an empty string ("") if:

- There is no selection and selected is true
- An error occurs

Usage

CopyRTF does not involve the clipboard. The copied information is stored in a string. If you use the standard clipboard methods (Copy and Cut) the clipboard will contain the text without any formatting.

To incorporate the text with RTF formatting into another RichTextEdit control, use [PasteRTF](#).

PowerBuilder environment

For use with RichTextEdit controls, see Section 2.4.94, “CopyRTF” in *PowerScript Reference*. For information about rich text format, see Section 4.5, “Implementing Rich Text” in *Application Techniques*.

Examples

This statement returns the text that is selected in the RichText DataWindow dw_letter and stores it in the string ls_richtext:

```
string ls_richtext
ls_richtext = dw_letter.CopyRTF()
```

This example copies the text in dw_1, saving it in ls_richtext, and pastes it into dw_2. The user clicks the RadioButton rb_true to copy selected text and rb_false to copy all the text. The number of characters pasted is saved in ll_numchars reported in the StaticText st_status:

```
string ls_richtext
boolean lb_selected
long ll_numchars

IF rb_true.Checked = true THEN
    lb_selected = true
ELSE
```



```

        lb_selected = false
    END IF

    ls_richtext = dw_1.CopyRTF(lb_selected)
    ll_numchars = dw_2.PasteRTF(ls_richtext)
    st_status.Text = String(ll_numchars)

```

See also[Copy](#)

CopyRTF in the Section 2.4.94, “CopyRTF” in *PowerScript Reference*

[Cut](#)[PasteRTF](#)

9.13 Create

Description

Creates a DataWindow object using DataWindow source code and puts that object in the specified DataWindow control or DataStore object. This dynamic DataWindow object does not become a permanent part of the application source library.

Applies to**Table 9.24:**

DataWindow type	Method applies to
PowerBuilder	DataWindow control, DataStore object

Syntax**PowerBuilder**

```
integer dwcontrol.Create ( string syntax {, string errorbuffer } )
```

Table 9.25:

Argument	Description
dwcontrol	A reference to the DataWindow control or DataStore in which PowerBuilder will create the new DataWindow object.
syntax	A string whose value is the DataWindow source code that will be used to create the DataWindow object.
errorbuffer (optional)	The name of a string that will hold any error messages that are generated. If you do not specify an error buffer, a message box will display the error messages.

Return value

In PowerBuilder, returns 1 if it succeeds and -1 if an error occurs.

If any argument's value is null, the method returns null.

Usage

The Create method creates a DataWindow object using the source code in syntax. It substitutes the new DataWindow object for the DataWindow object currently associated with dwcontrol.

DataWindow source code syntax is complex and is best produced by copying existing DataWindows. In a PowerBuilder application, you can use the Describe and LibraryExport methods to obtain the source code of existing DataWindows to use as models. In the PowerBuilder development environment, you can export the syntax of a DataWindow object in the Library painter.

Another source of DataWindow code is the SyntaxFromSQL method, which creates DataWindow source code based on a SQL statement. Many values in the source code syntax correspond to properties of the DataWindow object, which are documented in [DataWindow Object Properties](#).

When you examine syntax for existing DataWindow objects, you will see that the order of the syntax can vary. Release must be the first statement, and DataWindow should be the next statement. If you change the order, use care; the order can affect the results.

Calling SyntaxFromSQL as the syntax argument

You can call SyntaxFromSQL directly as the value for syntax. However, this does not give you the chance to check whether errors have been reported in its error argument. Before you use SyntaxFromSQL in Create, make sure the SQL syntax is valid.

Comments

To designate text in your DataWindow syntax as a comment, use either of the standard PowerBuilder methods:

- Use double slashes (//) to indicate that the text after the slashes and on the same line is a comment.

When you use this method, the comment can be all or part of a line but cannot cover multiple lines; the compiler ignores everything following the double slashes on the line.

- Begin a comment with slash asterisk (/*) and end it with asterisk slash (*/) to indicate that all the text between the delimiters is a comment.

When you use this method, the comment can be all or part of a line or occupy multiple lines; the compiler ignores everything between /* and */.

For DataWindows in group boxes

If a DataWindow object is in a group box, it is not automatically moved to the top when you call Create, even if the BringToTop property is set to true in the DataWindow painter. You must explicitly set the BringToTop property to true after you call Create. For example:

```
dw_1.Create(ls_syntax, ls_errors)
dw_1.BringToTop=true
```

Examples

These statements create a new DataWindow in the control dw_new from the DataWindow source code returned by the SyntaxFromSQL method. Errors from SyntaxFromSQL and

Create are displayed in the MultiLineEdits mle_sfs and mle_create. After creating the DataWindow, you must call SetTransObject for the new DataWindow object before you can retrieve data:

```
string error_syntaxfromSQL, error_create
string new_sql, new_syntax

new_sql = 'SELECT emp_data.emp_id, ' &
  + 'emp_data.emp_name ' &
  + 'from emp_data ' &
  + 'WHERE emp_data.emp_salary>45000'

new_syntax = SQLCA.SyntaxFromSQL(new_sql, &
  'Style(Type=Form)', error_syntaxfromSQL)

IF Len(error_syntaxfromSQL) > 0 THEN
  // Display errors
  mle_sfs.Text = error_syntaxfromSQL
ELSE
  // Generate new DataWindow
  dw_new.Create(new_syntax, error_create)
  IF Len(error_create) > 0 THEN
    mle_create.Text = error_create
  END IF
END IF

dw_new.SetTransObject(SQLCA)
dw_new.Retrieve()
```

See also

SyntaxFromSQL in Section 2.4.826, “SyntaxFromSQL” in *PowerScript Reference*

[SetTrans](#)

[SetTransObject](#)

9.14 CreateError (obsolete)

Description

Returns the error messages that were generated during a previous call to Create.

Obsolete method

CreateError is obsolete and should not be used, because the DataWindow Web Control for ActiveX technology is obsolete.

Applies to

Table 9.26:

DataWindow type	Method applies to
Web ActiveX	DataWindow control

Syntax

Web ActiveX

```
string dwcontrol.CreateError ( )
```

Table 9.27:

Argument	Description
dwcontrol	A reference to the DataWindow control for which you just called the Create method

Return value

Returns a string whose value is the error message text that was generated when attempting to create a DataWindow from source code. If no errors occur, returns an empty string.

Usage

Call CreateError immediately after the Create method to get error messages generated by Create.

See also

[Create](#)

9.15 CreateFrom**Description**

Creates a DataStore object from the passed ResultSet object.

Applies to**Table 9.28:**

DataWindow type	Method applies to
PowerBuilder	DataStore object

Syntax**PowerBuilder**

```
integer dsobject.CreateFrom ( ResultSet rsource )
```

Table 9.29:

Argument	Description
dsobject	The name of the DataStore object into which you want to place the data in the passed result set
rsource	A ResultSet or ADOResultSet object that contains meta data from which the DataStore object is created

Return value

Integer. Returns 1 if it succeeds or a negative number if an error occurs. If any argument is null, in PowerBuilder the method returns null.

Usage

Use `CreateFrom` to create a `DataStore` from a passed result set. Typically, a PowerBuilder client calls methods on a component running in a transaction server and converts results sets returned from those methods to `DataStore` objects using `CreateFrom`.

`CreateFrom` creates an external `DataWindow` definition with no visual component -- it has no controls and the height of all bands is zero. Since the data source for the `DataStore` object is external, Update methods on the `DataStore` object have no effect. The `Print` method will print a blank page.

Client applications can use the `DataStore` object directly or display the data in a `DataWindow` control using the `ShareData` method.

For more information about result sets and methods for exchanging data between components and clients, see Usage for [GenerateResultSet](#).

Examples

This example creates an instance of the `SVUBookstore` component, calls the `GetMajors` method, and creates a `DataStore` object using the data definition in the returned `ResultSet` object:

```
SVUBookstore lcst_mybookstore
resultset lrs_resultset
datastore ds_local
integer li_rc

li_rc = myconnect.CreateInstance(lcst_mybookstore)
IF li_rc <> 0 THEN
    MessageBox("Create Instance", string(li_rc) )
    myconnect.DisConnectServer()
    RETURN
END IF

lrs_resultset = lcst_mybookstore.GetMajors()

ds_local = CREATE DataStore
ds_local.CreateFrom(lrs_resultset)
```

This example creates a `DataStore` object from an ADO Recordset returned from a method on an MTS component.

```
OLEObject loo_mycomponent
OLEObject loo_ADOrecordset
ADOResultset lrs_ADOresultset
datastore ds_local
integer li_rc

loo_mycomponent = CREATE OLEObject
li_rc = loo_mycomponent.ConnectToNewObject("PB.Test")
IF li_rc <> 0 THEN
    MessageBox("Connect Failed", string(li_rc) )
    RETURN
END IF

// Use an OLEObject to hold ADO Recordset
// returned from method on MTS component
loo_ADOrecordset = loo_mycomponent.GetTestResult()

// Create an ADOResultSet and get its data
// from OLEObject holding passed ADO Recordset
lrs_ADOresultset = CREATE ADOResultSet
lrs_ADOresultset.SetRecordSet(loo_ADOrecordset)
```

```
// Use CreateFrom to populate DataStore
// from ADOResultSet object
ds_local = CREATE DataStore
ds_local.CreateFrom(lrs_ADOResultset)
```

See also[GenerateResultSet](#)

SetRecordSet in Section 2.4.758, “SetRecordSet” in *PowerScript Reference*

SetResultSet in Section 2.4.763, “SetResultSet” in *PowerScript Reference*

9.16 CrosstabDialog

Description

Displays the Crosstab Definition dialog box so the user can modify the definition of a crosstab DataWindow at runtime. The dialog box is the one you use in the DataWindow painter to define the crosstab.

Applies to**Table 9.30:**

DataWindow type	Method applies to
PowerBuilder	DataWindow control

Syntax**PowerBuilder**

```
integer dwcontrol.CrosstabDialog ( )
```

Table 9.31:

Argument	Description
dwcontrol	A reference to a DataWindow control

Return value

Returns 1 if it succeeds and -1 if an error occurs.

If dwcontrol is null, the method returns null.

Usage

If the style of the DataWindow object in the DataWindow control is not crosstab, CrosstabDialog has no effect. You must connect to a database and set the DataWindow control's transaction object before you call CrosstabDialog.

Examples

This statement in the script for the CommandButton cb_define displays the Crosstab Definition dialog so the user can modify the definition of the crosstab DataWindow object in dw_1:

```
dw_1.CrosstabDialog()
```

9.17 Cut

Description

Deletes selected text in the current row and column of an edit control and stores it on the clipboard, replacing the clipboard contents with the deleted text.

Applies to

Table 9.32:

DataWindow type	Method applies to
PowerBuilder	DataWindow control

Syntax

PowerBuilder

```
long dwcontrol.Cut ( )
```

Table 9.33:

Argument	Description
dwcontrol	A reference to a DataWindow control. The text is cut from the edit control over the current row and column.

Return value

Returns the number of characters that were cut from dwcontrol and stored in the clipboard. If no text is selected, no characters are cut and Cut returns 0. If an error occurs, Cut returns -1.

If dwcontrol is null, the method returns null.

Usage

To select text for deleting, the user can use the mouse or keyboard. You can also call the SelectText method in a script. For the RichTextEdit presentation style in PowerBuilder, there are several additional methods for selecting text: SelectTextAll, SelectTextLine, and SelectTextWord.

To insert the contents of the clipboard into a control, use the Paste method.

To delete selected text but not store it in the clipboard, use the Clear method.

PowerBuilder environment

For use with other PowerBuilder controls, see Section 2.4.102, “Cut” in *PowerScript Reference*.

Examples

Assuming the selected text in the edit control of dw_emp is Temporary, this statement deletes Temporary from the edit control, stores it in the clipboard, and returns 9:

```
dw_emp.Cut ( )
```

See also

[Copy](#)[Clear](#)Clipboard in Section 2.4.75, “Clipboard” in *PowerScript Reference*[Paste](#)

9.18 DBCancel

Description

Cancels the retrieval in process in a DataWindow.

Applies to

Table 9.34:

DataWindow type	Method applies to
PowerBuilder	DataWindow control, DataWindowChild object, DataStore object

Syntax

PowerBuilder

```
integer dwcontrol.DBCancel ( )
```

Table 9.35:

Argument	Description
dwcontrol	A reference to the DataWindow control, DataStore, or child DataWindows

Return value

Returns 1 if it succeeds and -1 if an error occurs.

If dwcontrol is null, in PowerBuilder and JavaScript the method returns null.

Usage

To cancel a database retrieval, you need two pieces of code:

- Code that calls DBCancel. To let the user cancel the retrieval, you could call DBCancel (or call a user function or member method that calls it) in code for a button or an item on a menu. This code would generally set an instance variable or data member to indicate that the user requested cancellation.

In PowerBuilder, this code might be:

```
ib_cancel = true
dw_1.DBCancel()
```

- Code for the RetrieveRow event that sets an action/return code of 1 to stop the retrieval.

In PowerBuilder, this code might be:

```
IF ib_cancel = true THEN
```



```

RETURN 1
END IF

```

Coding something in the RetrieveRow event's script (even just a comment) enables the operating system to process events while the DataWindow is being populated with rows from the database. If the RetrieveRow event's script is empty, menus and command buttons can't even be clicked until the retrieval is completely finished. This can be frustrating if the user inadvertently starts a retrieval that is going to take a long time.

If the Async DBParm parameter is set to 1 (for asynchronous operation), a user or a script can cancel a query either before the first row is returned or during the data retrieval process. If Async is set to 0 (for synchronous operation), the user cannot select the menu or CommandButton until the first row is retrieved. The asynchronous setting is useful when a query might take a long time to retrieve its first row.

For a list of the DBMSs that support the Async DBParm parameter, see Section 1.1.4, "Async" in *Connection Reference*.

Examples

In this example, the menu bar for an MDI application has menu items for starting and canceling a retrieval. When the user cancels the retrieval, a user function calls DBCancel and sets a boolean instance variable to Get/SetSeriesStyle and Get/SetDataStyle. The RetrieveStart and RetrieveRow events check this variable and return the appropriate value.

In this hypothetical application, the user starts a retrieval by selecting Retrieve from a menu. The script for the Retrieve menu item calls a user function for the window:

```
w_async1.wf_retrieve()
```

The wf_retrieve function sets the Async DBParm for asynchronous processing and starts the retrieval. Because Async is set to 1, the user can select the Cancel menu item at any time, even before the first row is retrieved. (In your own application, you would include error handling to make sure Retrieve returned successfully.)

```

long rc
ib_cancel = false
SQLCA.DBParm = 'Async = 1'
rc = dw_1.Retrieve()

```

The user can stop the retrieval by selecting Cancel from the menu. The script for the Cancel menu item reads:

```
w_async1.wf_cancel()
```

The user function wf_cancel for the window w_async1 calls DBCancel and sets a flag indicating that the retrieval is canceled. Other events for the DataWindow will check this flag and abort the retrieval too. The variable ib_cancel is an instance variable for the window:

```

ib_cancel = true
dw_1.DBCancel()

```

Scripts for the RetrieveStart and RetrieveRow events both check the ib_cancel instance variable and, if it is true, stop the retrieval by returning a value of 1. In order to cancel the retrieval, some code or comment in the script for the RetrieveRow event is required:

```
IF ib_cancel = true THEN
```

```
RETURN 1
END IF
```

See also[Retrieve](#)**9.19 DBErrorCode (obsolete)****Description**

Reports the database-specific error code that triggered the DBError event.

Obsolete method

DBErrorCode is obsolete and will be discontinued in the future. You should replace all use of DBErrorCode as soon as possible. The database error code is available as an argument in the DBError event.

Applies to**Table 9.36:**

DataWindow type	Method applies to
PowerBuilder	DataWindow control, DataWindowChild object

Syntax**PowerBuilder**

```
long dwcontrol.DBErrorCode ( )
```

Table 9.37:

Argument	Description
dwcontrol	A reference to a DataWindow control or child DataWindow

Return value

Returns an error code when a database error occurs in dwcontrol. Error codes -1 through -4 are PowerBuilder codes. Other codes are database-specific. Returns 0 if there is no error.

If dwcontrol is null, the method returns null.

PowerBuilder error codes are:

- -1 Can't connect to the database because of missing values in the transaction object.
- -2 Can't connect to the database.
- -3 The key specified in an Update or Retrieve no longer matches an existing row. (This can happen when another user has changed the row after you retrieved it.)

- -4 Writing a blob to the database failed.

Usage

When a database error occurs while a DataWindow control is interacting with the database, PowerBuilder triggers the DBError event. Since DBErrorCode is meaningful only if a database error has occurred, you should call this method only in the DBError event.

Examples

This statement returns the error code for dw_employee:

```
dw_employee.DBErrorCode()
```

Since this method is meaningful only in a DataWindow DBError event, you can use the pronoun This instead of the DataWindow's name:

```
This.DBErrorCode()
```

These statements check the error code for dw_employee and if it is -4, perform some processing:

```
long ll_Error_Nbr  
ll_Error_Nbr = This.DBErrorCode()  
IF ll_Error_Nbr = - 4 THEN ...
```

When an error occurs in dw_Emp, the following statements in the DBError event's script will display the error number and message. A return code of 1 suppresses the default error message:

```
long ll_Error_Nbr  
ll_Error_Nbr = This.DBErrorCode()  
  
IF ll_Error_Nbr <> 0 THEN  
    MessageBox("Database Error", "Number " &  
        + string(ll_Error_Nbr) + " " &  
        + This.DBErrorMessage(), StopSign!)  
    // Stop PowerBuilder from displaying the error  
    RETURN 1  
END IF
```

See also

[DBErrorMessage](#)

9.20 DBErrorMessage (obsolete)

Description

Reports the database-specific error message that triggered the DBError event.

Obsolete method

DBErrorMessage is obsolete and will be discontinued in a future release. You should replace all use of DBErrorMessage as soon as possible. The database error message is available as an argument in the DBError event.

Applies to

Table 9.38:

DataWindow type	Method applies to
PowerBuilder	DataWindow control, DataWindowChild object

Syntax**PowerBuilder**

```
string dwcontrol.DBErrorMessage ( )
```

Table 9.39:

Argument	Description
dwcontrol	A reference to a DataWindow control or child DataWindow

Return value

Returns a string whose value is a database-specific error message generated by a database error in dwcontrol. Returns the empty string ("") if there is no error.

If dwcontrol is null, the method returns null.

Usage

When a database error occurs while a DataWindow control is interacting with the database, PowerBuilder triggers the DBError event. Since DBErrorMessage is meaningful only if a database error has occurred, you should call this method only in the DBError event.

Examples

This statement returns the error message generated by a database error in dw_employee:

```
dw_employee.DBErrorMessage()
```

Since this method is meaningful only in a DataWindow, you can use the pronoun This instead of the DataWindow's name:

```
This.DBErrorMessage()
```

If data processing fails in dw_Emp and these statements are coded in the script for the DBError event, a message box containing the error number and the message displays:

```
string err_msg
err_msg = This.DBErrorMessage()

IF err_msg <> "" THEN
    MessageBox("DBError", "Number" + &
        String(This.DBErrorCode())+ " " + &
        err_msg, StopSign!)
    // Stop PowerBuilder from displaying the error
    RETURN 1
END IF
```

See also

[DBErrorCode](#)

9.21 DeletedCount

Description

Reports the number of rows that have been marked for deletion in the database.

Applies to

Table 9.40:

DataWindow type	Method applies to
PowerBuilder	DataWindow control, DataWindowChild object, DataStore object

Syntax

PowerBuilder

```
long dwcontrol.DeletedCount ( )
```

Table 9.41:

Argument	Description
dwcontrol	A reference to a DataWindow control, DataStore, or child DataWindow

Return value

Returns the number of rows that have been deleted from dwcontrol but not updated in the associated database table.

Returns 0 if no rows have been deleted or if all the deleted rows have been updated in the database table. DeletedCount returns -1 if it fails.

If any argument's value is null, in PowerBuilder and JavaScript the method returns null.

Usage

An updatable DataWindow control or DataStore has several buffers. The primary buffer stores the rows currently being displayed. The delete buffer stores rows that the application has marked for deletion by calling the DeleteRow method. These rows are saved until the database is updated. You can use DeletedCount to find out if there are any rows in the delete buffer.

If a DataWindow is not updatable, rows that are deleted are discarded -- they are not stored in the delete buffer. Therefore, DeletedCount returns 0 for a nonupdatable DataWindow unless a method, such as RowsCopy or RowsMove, has been used to populate the delete buffer.

Examples

Assuming two rows in dw_employee have been deleted but have not been updated in the associated database table, these statements set ll_Del to 2:

```
Long ll_Del
ll_Del = dw_employee.DeletedCount( )
```

This example tests whether there are rows in the delete buffer, and if so, updates the database table associated with dw_employee:

```
Long ll_Del
ll_Del = dw_employee.DeletedCount()
IF ll_Del <> 0 THEN dw_employee.Update()
```

See also

[DeleteRow](#)

[FilteredCount](#)

[ModifiedCount](#)

[RowCount](#)

9.22 DeleteRow

Description

Deletes a row from a DataWindow control, DataStore object, or child DataWindow.

Applies to

Table 9.42:

DataWindow type	Method applies to
PowerBuilder	DataWindow control, DataWindowChild object, DataStore object

Syntax

PowerBuilder

```
integer dwcontrol.DeleteRow ( long row )
```

Table 9.43:

Argument	Description
dwcontrol	A reference to a DataWindow control, DataStore, or child DataWindow.
row	A value identifying the row you want to delete. To delete the current row, specify 0 for row.

Return value

Returns 1 if the row is successfully deleted and -1 if an error occurs.

If any argument's value is null, in PowerBuilder and JavaScript the method returns null. If there is no DataWindow object assigned to the DataWindow control or DataStore, this method returns -1.

Usage

DeleteRow deletes the row from the DataWindow's primary buffer.

If the DataWindow is not updatable, all storage associated with the row is cleared. If the DataWindow is updatable, DeleteRow moves the row to the DataWindow's delete buffer; PowerBuilder uses the values in the delete buffer to build the SQL DELETE statement.

The row is not deleted from the database table until the application calls the Update method. After the Update method has updated the database and the update flags are reset, the storage associated with the row is cleared.

Apply GetChanges after deleting rows in a distributed application

If a DataWindow or data store is populated using SetChanges or SetFullState, and an Update is done that includes deleted rows, the deleted rows remain in the delete buffer until a subsequent GetChanges is applied to the DataWindow or data store.

Examples

This statement deletes the current row from dw_employee:

```
dw_employee.DeleteRow(0)
```

These statements delete row 5 from dw_employee and then update the database with the change:

```
dw_employee.DeleteRow(5)
dw_employee.Update()
```

See also

[DeletedCount](#)

[InsertRow](#)

9.23 Describe

Description

Reports the values of properties of a DataWindow object and controls within the DataWindow object. Each column and graphic control in the DataWindow has a set of properties (listed in [DataWindow Object Properties](#)). You specify one or more properties as a string, and Describe returns the values of the properties.

Describe can also evaluate expressions involving values of a particular row and column. When you include Describe's Evaluate function in the property list, the value of the evaluated expression is included in the reported information.

Applies to

Table 9.44:

DataWindow type	Method applies to
PowerBuilder	DataWindow control, DataWindowChild object, DataStore object

Syntax

PowerBuilder

```
string dwcontrol.Describe ( string propertylist )
```

Table 9.45:

Argument	Description
dwcontrol	A reference to a DataWindow control, DataStore, or child DataWindow.
propertylist	A string whose value is a blank-separated list of properties or Evaluate functions. For a list of valid properties, see DataWindow Object Properties

Return value

Returns a string that includes a value for each property or Evaluate function. A newline character (~n or \n) separates the value of each item in propertylist.

If the property list contains an invalid item, Describe returns an exclamation point (!) for that item and ignores the rest of the property list. Describe returns a question mark (?) if there is no value for a property.

When the value of a property contains an exclamation point or a question mark, the value is returned in quotes so that you can distinguish between the returned value and an invalid item or a property with no value.

If any argument's value is null, in PowerBuilder and JavaScript the method returns null.

Usage

Use Describe to understand the structure of a DataWindow. For example, you can find out which bands the DataWindow uses and what the datatypes of the columns are. You can also use Describe to find out the current value of a property and use that value to make further modifications.

Describe is often used to obtain the DataWindow's SELECT statement in order to modify it (for example, by adding a WHERE clause).

When you can obtain the DataWindow's SQL statement

When you use the Select painter to graphically create a SELECT statement, PowerBuilder saves its own SELECT statement (called a PBSELECT statement), and not a SQL SELECT statement, with the DataWindow definition.

When you call Describe with the property Table.Select, it returns a SQL SELECT statement only if you are connected to the database. If you are not connected to the database, Describe returns a PBSELECT statement.

Property syntax

The syntax for a property in the property list is:

```
controlname.property
```

For the types of controls in a DataWindow and their properties with examples, see [DataWindow Object Properties](#)

Properties whose value is a list

When a property returns a list, the tab character separates the values in the list. For example, the Bands property reports all the bands in use in the DataWindow as a list.

```
header[tab]detail[tab]summary[tab]footer[tab]header.1[tab]trailer.1
```

If the first character in a property's returned value list is a quotation mark, it means the whole list is quoted and any quotation marks within the list are single quotation marks.

For example, the following is a single property value.

```
" Student[tab]'Andrew'or'[newline]Andy' "
```

Specifying special characters

There are different ways of specifying special characters in a string in each environment:

Table 9.46: Specifying special characters in different environments

Character	PowerBuilder	JavaScript
tab	~t	\t
newline	~n	\n
single quote	~'	\'
double quote	~"	\"

Quoted property values

Describe returns a property's value enclosed in quotes when the text would otherwise be ambiguous. For example, if the property's value includes a question mark, then the text is returned in quotes. A question mark without quotes means that the property has no value.

Column name or number

When the control is a column, you can specify the column name or a pound sign (#) followed by the column number. For example, if salary is column 5, then "salary.coltype" is equivalent to "#5.coltype".

Control names

The DataWindow painter automatically gives names to all controls. (In previous versions of PowerBuilder, the painter only named columns and column labels.)

Evaluating an expression

Describe's Evaluate function allows you to evaluate DataWindow painter expressions within a script using data in the DataWindow. Evaluate has the following syntax, which you specify for propertylist.

```
Evaluate ( 'expression', rownumber )
```

Expression is the expression you want to evaluate and rownumber is the number of the row for which you want to evaluate the expression. The expression usually includes DataWindow painter functions. For example, in the following statement, Describe reports either 255 or 0 depending on the value of the salary column in row 3:

```
ls_ret = dw_1.Describe( &
" Evaluate('If(salary > 100000, 255, 0)', 3)" )
```

You can call DataWindow control functions in a script to get data from the DataWindow, but some painter functions (such as LookUpDisplay) cannot be called in a script. Using Evaluate is the only way to call them. (See the example [Evaluating the display value of a DropDownDataWindow](#).)

Sample property values

To illustrate the types of values that Describe reports, consider a DataWindow called dw_emp with one group level. Its columns are named emp and empname, and its headers are named emp_h and empname_h. The following table shows several properties and the returned value. In the first example below, a sample command shows how you might specify these properties for Describe and what it reports.

Table 9.47: Examples of return values for Describe method

Property	Reported value
datawindow.Bands	header[tab]detail[tab]summary[tab]footer[tab]header.1[tab]trailer.1
datawindow.Objects	emp[tab]empname[tab]emp_h[tab]empname_h
emp.Type	column
empname.Type	column
empname_h.Type	text
emp.Coltype	char(20)
state.Type	! (! indicates an invalid item -- there is no column named state)
empname_h.Visible	

Examples

PowerBuilder examples

This example calls Describe with some of the properties shown in the previous table. The reported values (formatted with tabs and newlines) follow. Note that because state is not a column in the DataWindow, state.type returns an exclamation point (!):

```
string ls_request, ls_report

ls_request = "DataWindow.Bands DataWindow.Objects "&
    + "empname_h.Text " &
    + "empname_h.Type emp.Type emp.Coltype " &
    + "state.Type empname.Type empname_h.Visible"

ls_report = dw_1.Describe(ls_request)
```

Describe sets the value of ls_report to the following string:

```
header~tdetail~tsummary~tfooter~thead.1~ttrailer.1~N
emp~tempname~temp_h~tempname_h~N "Employee~R~NName"~N text~N column~Nchar(20)~N!
```

These statements check the datatype of the column named salary before using GetItemNumber to obtain the salary value:

```
string ls_data_type
integer li_rate
```

```

ls_data_type = dw_1.Describe("salary.ColType")
IF ls_data_type = "number" THEN
li_rate = dw_1.GetItemNumber(5, "salary")
ELSE
. . . // Some processing
END IF

```

Column name or number

This statement finds out the column type of the current column, using the column name:

```
s = This.Describe(This.GetColumnName()+ ".ColType")
```

For comparison, this statement finds out the same thing, using the current column's number:

```
s = This.Describe("#" + String(This.GetColumn()) &
+ ".ColType")
```

Scrolling and the current row

This example, as part of the DataWindow control's ScrollVertical event, makes the first visible row the current row as the user scrolls through the DataWindow:

```
s = This.Describe("DataWindow.FirstRowOnPage")
IF IsNumber(s) THEN This.SetRow(Integer(s))
```

Evaluating the display value of a DropDownDataWindow

This example uses Describe's Evaluate function to find the display value in a DropDownDataWindow column called state_code. You must execute the code after the ItemChanged event, so that the value the user selected has become the item value in the buffer. This code is the script of a custom user event called getdisplayvalue:

```

string rownumber, displayvalue

rownumber = String(dw_1.GetRow())
displayvalue = dw_1.Describe( &
" Evaluate('LookUpDisplay(state_code) ', " &
+ rownumber + ")")

```

This code, as part of the ItemChanged event's script, posts the getdisplayvalue event:

```
dw_1.PostEvent("getdisplayvalue")
```

Assigning null values based on the column's datatype

The following excerpt from the ItemError event script of a DataWindow control allows the user to blank out a column and move to the next column. For columns with datatypes other than string, the user cannot leave the value empty (which is an empty string and does not match the datatype) without the return code. Data and row are arguments of the ItemError event:

```

string s
s = This.Describe(This.GetColumnName() &
+ ".Coltype")

CHOOSE CASE s
CASE "number"
IF Trim(data) = "" THEN
integer null_num
SetNull(null_num)
This.SetItem(row, &

```

```

        This.GetColumn(), null_num)
    RETURN 3
END IF

CASE "date"
    IF Trim(data) = "" THEN
        date null_date
        SetNull(null_date)
        This.SetItem(row, &
            This.GetColumn(), null_date)
        RETURN 3
    END IF

    . . . // Additional cases for other datatypes
END CHOOSE

```

See also[Create](#)[Modify](#)

9.24 Drag

Description

Starts or ends the dragging of a control.

Applies to**Table 9.48:**

DataWindow type	Method applies to
PowerBuilder	DataWindow control, DataWindowChild object

Syntax**PowerBuilder**

```
integer dwcontrol.Drag ( DragMode dragvalue )
```

Table 9.49:

Argument	Description
dwcontrol	A reference to a DataWindow control or child DataWindow.
dragvalue	A value indicating the action you want to take on a control: <ul style="list-style-type: none"> • Begin! -- Put dwcontrol in drag mode. • Cancel! -- Stop dragging dwcontrol but do not cause a DragDrop event. • End! -- Stop dragging dwcontrol and if dwcontrol is over a target object, cause a DragDrop event.

Usage

Inherited from DragObject. For information, see Section 2.4.148, “Drag” in *PowerScript Reference*.

9.25 Expand

Description

Expands a group in a TreeView DataWindow that has the specified TreeView level and includes the specified row.

Applies to

Table 9.50:

DataWindow type	Method applies to
PowerBuilder	DataWindow control

Syntax

PowerBuilder

```
Integer dw_control.Expand(long row, long groupLevel)
```

Table 9.51:

Argument	Description
dw_control	A reference to a TreeView-style DataWindow control
row	The number of the row that belongs to the TreeView level of the group to be expanded
groupLevel	The TreeView level of the group to be expanded

Return value

Returns 1 if the expand operation succeeds and one of the following negative values if it fails:

- 1 -- DataWindow is null
- 5 -- One or more of the parameters are invalid
- 16 -- DataWindow is not a TreeView DataWindow

Usage

A TreeView DataWindow has several TreeView level bands (groups) that can be expanded and collapsed. You can use the Expand method to expand a group in a TreeView DataWindow that includes a particular row in a particular TreeView level.

The Expand method triggers the Expanding and Expanded events.

Examples

The following example expands the group at TreeView level 2 that includes row 3:

```
integer li_ret
```

```
li_ret = dw_treeview.Expand(3,2)
```

See also[Collapse](#)[ExpandAll](#)[ExpandAllChildren](#)[ExpandLevel](#)[IsExpanded](#)

9.26 ExpandAll

Description

Expands all groups in a TreeView DataWindow.

Applies to**Table 9.52:**

DataWindow type	Method applies to
PowerBuilder	DataWindow control

Syntax**PowerBuilder**

```
Integer dw_control.ExpandAll( )
```

Table 9.53:

Argument	Description
dw_control	A reference to a TreeView-style DataWindow control

Return value

Returns 1 if the ExpandAll operation succeeds and one of the following negative values if it fails:

-1 -- DataWindow is null

-16 -- DataWindow is not a TreeView DataWindow

Usage

A TreeView DataWindow has several TreeView level bands (groups) that can be expanded and collapsed. You can use the ExpandAll method to expand all groups in a TreeView DataWindow.

The ExpandAll method triggers the Expanding and Expanded events with row and level arguments of -1.

Examples

The following example expands all groups:

```
integer li_ret
li_ret = dw_treeview.ExpandAll()
```

See also

[Collapse](#)

[Expand](#)

[ExpandAllChildren](#)

[ExpandLevel](#)

[IsExpanded](#)

9.27 ExpandAllChildren

Description

Expands a group in a TreeView DataWindow that has the specified TreeView level and includes the specified row; also expands all the group's children.

Applies to

Table 9.54:

DataWindow type	Method applies to
PowerBuilder	DataWindow control

Syntax

PowerBuilder

```
Integer dw_control.ExpandAllChildren(long row, long groupLevel)
```

Table 9.55:

Argument	Description
dw_control	A reference to a TreeView-style DataWindow control
row	The number of the row that belongs to the group to be expanded
groupLevel	The TreeView level of the group to be expanded

Return value

Returns 1 if the expand operation succeeds and one of the following negative values if it fails:

- 1 -- DataWindow is null
- 5 -- One or more of the parameters are invalid
- 16 -- DataWindow is not a TreeView DataWindow

Usage

A TreeView DataWindow has several TreeView level bands (groups) that can be expanded and collapsed. You can use the ExpandAllChildren method to expand a group with a specified TreeView level in a TreeView DataWindow and all of its children.

The ExpandAllChildren method triggers the Expanding and Expanded events.

Examples

The following example expands the group in a TreeView DataWindow that has TreeView level 2 and includes row 3; it also expands all the group's children:

```
integer li_ret
li_ret = dw_treeview.ExpandAllChildren(3,2)
```

See also

[CollapseAllChildren](#)

[Expand](#)

[ExpandAll](#)

[ExpandLevel](#)

[IsExpanded](#)

9.28 ExpandLevel

Description

Expands all the groups in a TreeView DataWindow that have the specified TreeView level.

Applies to

Table 9.56:

DataWindow type	Method applies to
PowerBuilder	DataWindow control

Syntax

PowerBuilder

```
Integer dw_control.ExpandLevel (long groupLevel)
```

Table 9.57:

Argument	Description
dw_control	A reference to a TreeView-style DataWindow control
groupLevel	The TreeView level of the group to be expanded

Return value

Returns 1 if the ExpandLevel operation succeeds and one of the following negative values if it fails:

- 1 -- DataWindow is null
- 5 -- One or more of the parameters are invalid
- 16 -- DataWindow is not a TreeView DataWindow

Usage

A TreeView DataWindow has several TreeView level bands (groups) that can be expanded and collapsed. You can use the ExpandLevel method to expand all the groups in a TreeView DataWindow that have a particular TreeView level.

The ExpandLevel method triggers the Expanding and Expanded events with a row argument of -1.

Examples

The following example expands all the groups at TreeView level 2:

```
integer li_ret
li_ret = dw_treeview.ExpandLevel(2)
```

See also

[CollapseLevel](#)

[Expand](#)

[ExpandAll](#)

[ExpandAllChildren](#)

[IsExpanded](#)

9.29 ExportJson

Exports data from the DataWindow control, DataStore object, or DataWindowChild object to the JSON string. The exported JSON string will be a two-level plain JSON string or DataWindow JSON string. For more about the JSON formats, see Section 4.7.1, “Supported JSON formats” in *Application Techniques*.

9.29.1 Syntax 1

Description

Exports data from the DataWindow primary buffer to a plain JSON string or DataWindow JSON string.

Applies to

Table 9.58:

DataWindow type	Method applies to
PowerBuilder	DataWindow control, DataWindowChild object, and DataStore object, except for those with the Composite, Crosstab, OLE 2.0, or RichText presentation styles.

Syntax

PowerBuilder

```
string dwcontrol.ExportJson( {boolean format} )
```

Table 9.59:

Argument	Description
dwcontrol	A reference to a DataWindow control, DataStore, or DataWindowChild.
format (optional)	<p>A boolean specifying the JSON format.</p> <ul style="list-style-type: none"> • True indicates the DataWindow JSON • False (default) indicates the plain JSON. <p>See Section 4.7.1, “Supported JSON formats” in <i>Application Techniques</i> for details about the JSON format.</p>

Return value

String. Returns the JSON string if it succeeds. Returns the empty string ("") if an error occurs.

The method returns null if any of the following:

- any argument's value is null
- the DataWindow object (dataobject) is invalid
- the DataWindow presentation style is unsupported, such as Composite, Crosstab, OLE 2.0, or RichText

Usage

The Number data type is handled as Double data type; 15 digits of precision is supported; and it will be written in scientific notation if it exceeds 15 digits.

The Decimal{0} data type is handled as Double data type; it has no fractional part, and the digits in the fractional part (if any) will be rounded to the integral part; 15 digits of precision is supported; and it will be written in scientific notation if it exceeds 15 digits.

The Decimal{n} data type is handled as Double data type; it can have n digits in the fractional part, and the following digits (if any) will be rounded; 15 digits of precision is supported; and it will be written in scientific notation if it exceeds 15 digits.

Examples

This example exports data from the primary buffer of the DataWindow to a plain JSON string:

```
string ls_PlainJson
ls_PlainJson = dw_1.ExportJson()
```

This example exports data from the primary buffer of the DataWindow to a DataWindow JSON string:

```
string ls_DWJson
ls_DWJson = dw_1.ExportJson(true)
```

See also[ImportJson](#)[ImportJsonByKey](#)**9.29.2 Syntax 2****Description**

Exports all rows or only the changed rows from all or specified buffers to a plain JSON string or DataWindow JSON string.

Applies to**Table 9.60:**

DataWindow type	Method applies to
PowerBuilder	DataWindow control, DataWindowChild object, and DataStore object, except for those with the Composite, Crosstab, OLE 2.0, or RichText presentation styles.

Syntax**PowerBuilder**

```
string dwcontrol.ExportJson( {DWBuffer dwbuffer,} boolean changedonly, boolean
format )
```

Table 9.61:

Argument	Description
dwcontrol	A reference to a DataWindow control, DataStore, or DataWindowChild.
dwbuffer (optional)	A value of the dwBuffer enumerated datatype identifying the DataWindow buffer from which you want to export the data. For a list of valid values, see DWBuffer . If not specified, all of the DataWindow buffers will be exported, however, the data for DataWindowChild will not be exported (even if changedonly is false).
changedonly	A boolean specifying the changing flag. <ul style="list-style-type: none"> • True -- to export the changed rows only (and all rows of the Delete buffer). • False -- to export all rows. The default is false.
format	A boolean specifying the JSON format. <ul style="list-style-type: none"> • True indicates the DataWindow JSON

Argument	Description
	<ul style="list-style-type: none"> False indicates the plain JSON. The default is false. <p>See Section 4.7.1, “Supported JSON formats” in <i>Application Techniques</i> for details about the JSON format.</p>

Return value

String. Returns the JSON string if it succeeds. Returns the empty string ("") if an error occurs.

The method returns null if any of the following:

- any argument's value is null
- the DataWindow object (dataobject) is invalid
- the DataWindow presentation style is unsupported, such as Composite, Crosstab, OLE 2.0, or RichText

Usage

The Number data type is handled as Double data type; 15 digits of precision is supported; and it will be written in scientific notation if it exceeds 15 digits.

The Decimal{0} data type is handled as Double data type; it has no fractional part, and the digits in the fractional part (if any) will be rounded to the integral part; 15 digits of precision is supported; and it will be written in scientific notation if it exceeds 15 digits.

The Decimal{n} data type is handled as Double data type; it can have n digits in the fractional part, and the following digits (if any) will be rounded; 15 digits of precision is supported; and it will be written in scientific notation if it exceeds 15 digits.

Examples

This example exports the changed rows from all buffers of the DataWindow to a DataWindow JSON string:

```
string ls_DWJson
ls_DWJson = dw_1.ExportJson(true, true)
```

This example exports the changed rows from the primary buffer of the DataWindow to a plain JSON string:

```
string ls_PlainJson
ls_PlainJson = dw_1.ExportJson(Primary!, true, false)
```

See also

[ImportJson](#)

[ImportJsonByKey](#)

9.29.3 Syntax 3

Description

Exports data from the specified buffer(s) and/or DataWindowChild to a plain JSON string or DataWindow JSON string.

Applies to

Table 9.62:

DataWindow type	Method applies to
PowerBuilder	DataWindow control, DataWindowChild object, and DataStore object, except for those with the Composite, Crosstab, OLE 2.0, or RichText presentation styles.

Syntax

PowerBuilder

```
string dwcontrol.ExportJson( boolean primarydata, boolean filterdata, boolean
deletedata, boolean dwcdata {, boolean format} )
```

Table 9.63:

Argument	Description
dwcontrol	A reference to a DataWindow control, DataStore, or DataWindowChild.
primarydata	A boolean specifying whether to export the data from the primary buffer. <ul style="list-style-type: none"> • True -- to export • False -- not to export
filterdata	A boolean specifying whether to export the data from the filter buffer. <ul style="list-style-type: none"> • True -- to export • False -- not to export
deletedata	A boolean specifying whether to export the data from the delete buffer. <ul style="list-style-type: none"> • True -- to export • False -- not to export
dwcdata	A boolean specifying whether to export the DataWindowChild data. <ul style="list-style-type: none"> • True -- to export. If it is to export the DataWindowChild data, data from all buffers will be exported to a plain JSON, regardless of the value of the other arguments. • False -- not to export
format (optional)	A boolean specifying the JSON format. <ul style="list-style-type: none"> • True indicates the DataWindow JSON

Argument	Description
	<ul style="list-style-type: none"> False indicates the plain JSON. The default is false. <p>See Section 4.7.1, “Supported JSON formats” in <i>Application Techniques</i> for details about the JSON format.</p>

Return value

String. Returns the JSON string if it succeeds. Returns the empty string ("") if an error occurs.

The method returns null if any of the following:

- any argument's value is null
- the DataWindow object (dataobject) is invalid
- the DataWindow presentation style is unsupported, such as Composite, Crosstab, OLE 2.0, or RichText

Usage

The Number data type is handled as Double data type; 15 digits of precision is supported; and it will be written in scientific notation if it exceeds 15 digits.

The Decimal{0} data type is handled as Double data type; it has no fractional part, and the digits in the fractional part (if any) will be rounded to the integral part; 15 digits of precision is supported; and it will be written in scientific notation if it exceeds 15 digits.

The Decimal{n} data type is handled as Double data type; it can have n digits in the fractional part, and the following digits (if any) will be rounded; 15 digits of precision is supported; and it will be written in scientific notation if it exceeds 15 digits.

Examples

This example exports the data from the primary buffer and the filter buffer of the DataWindow to a plain JSON string:

```
string ls_PlainJson
ls_PlainJson = dw_1.ExportJson(true, true, false, false)
```

This example exports the data from every buffer of the DataWindow and the DataWindowChild to a DataWindow JSON string:

```
string ls_DWJson
ls_DWJson = dw_1.ExportJson(true, true, true, true, true)
```

See also

[ImportJson](#)

[ImportJsonByKey](#)

9.29.4 Syntax 4

Description

Exports all data or the specified rows and/or columns from the specified buffer to a plain JSON string or DataWindow JSON string.

Applies to

Table 9.64:

DataWindow type	Method applies to
PowerBuilder	DataWindow control, DataWindowChild object, and DataStore object, except for those with the Composite, Crosstab, OLE 2.0, or RichText presentation styles.

Syntax

PowerBuilder

```
string dwcontrol.ExportJson( DWBuffer dwbuffer {, long startrow {, long endrow {, long startcolumn {, long endcolumn } } } } {, boolean format } )
```

Table 9.65:

Argument	Description
dwcontrol	A reference to a DataWindow control, DataStore, or DataWindowChild.
dwbuffer	A value of the dwBuffer enumerated datatype identifying the DataWindow buffer from which you want to export the data. For a list of valid values, see DWBuffer . If not specified, all of the DataWindow buffers will be exported, however, the data for DataWindowChild will not be exported (even if changedonly is false).
startrow (optional)	The number of the first detail row in the buffer that you want to export. The default is 1. If it is 0 or negative, 1 is used.
endrow (optional)	The number of the last detail row in the buffer that you want to export. The default is the rest of the rows. If it is 0 or negative, it indicates the rest of rows.
startcolumn (optional)	The number of the first column in the buffer that you want to export. The default is 1. If it is 0 or negative, 1 is used.
endcolumn (optional)	The number of the last column in the buffer that you want to export. The default is the rest of the columns. If it is 0 or negative, it indicates the rest of columns.
format (optional)	A boolean specifying the JSON format. <ul style="list-style-type: none"> • True indicates the DataWindow JSON • False indicates the plain JSON. The default is false. <p>See Section 4.7.1, “Supported JSON formats” in <i>Application Techniques</i> for details about the JSON format.</p>

Return value

String. Returns the JSON string if it succeeds. Returns the empty string ("") if an error occurs.

The method returns null if any of the following:

- any argument's value is null
- the DataWindow object (dataobject) is invalid
- the DataWindow presentation style is unsupported, such as Composite, Crosstab, OLE 2.0, or RichText

Usage

The Number data type is handled as Double data type; 15 digits of precision is supported; and it will be written in scientific notation if it exceeds 15 digits.

The Decimal{0} data type is handled as Double data type; it has no fractional part, and the digits in the fractional part (if any) will be rounded to the integral part; 15 digits of precision is supported; and it will be written in scientific notation if it exceeds 15 digits.

The Decimal{n} data type is handled as Double data type; it can have n digits in the fractional part, and the following digits (if any) will be rounded; 15 digits of precision is supported; and it will be written in scientific notation if it exceeds 15 digits.

Examples

This example exports data from the delete buffer of the DataWindow to a plain JSON string:

```
string ls_PlainJson
ls_PlainJson = dw_1.ExportJson(Delete!)
```

This example exports data from the filter buffer of the DataWindow to a DataWindow JSON string:

```
string ls_DWJson
ls_DWJson = dw_1.ExportJson(Filter!, true)
```

This example exports data in rows 2 through the end from the primary buffer of the DataWindow to a plain JSON string:

```
string ls_PlainJson
ls_PlainJson = dw_1.ExportJson(Primary!, 2)
```

This example exports data in rows 2 through the end from the primary buffer of the DataWindow to a DataWindow JSON string:

```
string ls_DWJson
ls_DWJson = dw_1.ExportJson(Primary!, 2, true)
```

This example exports data in rows 1 through 10 from the primary buffer of the DataWindow to a plain JSON string:

```
string ls_PlainJson
ls_PlainJson = dw_1.ExportJson(Primary!, 1, 10)
```

This example exports data in rows 1 through 10 from the primary buffer of the DataWindow to a DataWindow JSON string:


```
string ls_DWJson
ls_DWJson = dw_1.ExportJson(Primary!, 1, 10, true)
```

This example exports data in rows 1 through 10 and columns 2 through the end from the primary buffer of the DataWindow to a plain JSON string:

```
string ls_PlainJson
ls_PlainJson = dw_1.ExportJson(Primary!, 1, 10, 2)
```

This example exports data in rows 1 through 10 and columns 2 through the end from the primary buffer of the DataWindow to a DataWindow JSON string:

```
string ls_DWJson
ls_DWJson = dw_1.ExportJson(Primary!, 1, 10, 2, true)
```

This example exports data in rows 1 through 10 and columns 2 through 5 from the primary buffer of the DataWindow to a plain JSON string:

```
string ls_PlainJson
ls_PlainJson = dw_1.ExportJson(Primary!, 1, 10, 2, 5)
```

This example exports data in rows 1 through 10 and columns 2 through 5 from the primary buffer of the DataWindow to a DataWindow JSON string:

```
string ls_DWJson
ls_DWJson = dw_1.ExportJson(Primary!, 1, 10, 2, 5, true)
```

See also

[ImportJson](#)

[ImportJsonByKey](#)

9.30 ExportRowAsJson

Description

Exports a data row from the specified buffer of a DataWindow control, DataStore object, or DataWindowChild object to the JSON string. The exported JSON string will be a one-level plain JSON string. For details, see Plain JSON: one-level structure in *Application Techniques*.

Applies to

Table 9.66:

DataWindow type	Method applies to
PowerBuilder	DataWindow control, DataWindowChild object, and DataStore object, except for those with the Composite, Crosstab, OLE 2.0, or RichText presentation styles.

Syntax

PowerBuilder

```
string dwcontrol.ExportRowAsJson (long row {, DWBuffer dwbuffer})
```

Table 9.67:

Argument	Description
dwcontrol	A reference to a DataWindow control, DataStore, or DataWindowChild.
row	A long value identifying the row of data to be exported. 1 indicates the first row. The following number is invalid: 0, a negative value, or a value greater than the row count.
dwbuffer (optional)	A value of the dwBuffer enumerated datatype identifying the DataWindow buffer from which you want to export the data. For a list of valid values, see DWBuffer . If not specified, exports the data from the Primary! buffer. If specified, exports the data from the specified buffer.

Return value

String. Returns the JSON string if the data row was exported successfully. Returns the empty string ("") if an error occurs or illegal row number (0, a negative value, or a value greater than the DataWindow row count) is specified.

The method returns null if any of the following:

- any argument's value is null
- the DataWindow object (dataobject) is invalid
- the DataWindow presentation style is unsupported, such as Composite, Crosstab, OLE 2.0, or RichText

Usage

The Number data type is handled as Double data type; 15 digits of precision is supported; and it will be written in scientific notation if it exceeds 15 digits.

The Decimal{0} data type is handled as Double data type; it has no fractional part, and the digits in the fractional part (if any) will be rounded to the integral part; 15 digits of precision is supported; and it will be written in scientific notation if it exceeds 15 digits.

The Decimal{n} data type is handled as Double data type; it can have n digits in the fractional part, and the following digits (if any) will be rounded; 15 digits of precision is supported; and it will be written in scientific notation if it exceeds 15 digits.

Example

The following example exports the last row of data from the delete buffer.

```
String ls_ExportRowAsJson
If dw_Data.GetRow() > 0 Then
  ls_ExportRowAsJson = dw_Data.ExportRowAsJson(dw_Data.GetRow())

  // Exports the last row in delete buffer
  dw_Data.DeleteRow(dw_Data.GetRow())
  ls_ExportRowAsJson = dw_Data.ExportRowAsJson ( dw_Data.DeletedCount( ), Delete! )
End If
```

See also

[ImportRowFromJson](#)

9.31 Filter

Description

Displays rows in a DataWindow that pass the current filter criteria. Rows that do not meet the filter criteria are moved to the filter buffer.

Applies to

Table 9.68:

DataWindow type	Method applies to
PowerBuilder	DataWindow control, DataWindowChild object, DataStore object

Syntax

PowerBuilder

```
integer dwcontrol.Filter ( )
```

Table 9.69:

Argument	Description
dwcontrol	A reference to a DataWindow control, DataStore, or child DataWindow

Return value

Returns 1 if it succeeds and -1 if an error occurs. The return value is usually not used.

If dwcontrol is null, in PowerBuilder and JavaScript the method returns null.

Usage

Filter uses the current filter criteria for the DataWindow. To change the filter criteria, use the SetFilter method. The SetFilter method is equivalent to using the Filter command on the Rows menu of the DataWindow painter. If you do not call SetFilter to assign or change criteria before calling the Filter method, the DataWindow will default to use the criteria in the object definition.

When the Retrieve method retrieves data for the DataWindow, PowerBuilder applies the filter that was defined for the DataWindow object, if any. You only need to call Filter after you change the filter criteria with SetFilter or if the data has changed because of processing or user input.

The Filter function filters the rows in the datawindow. If the Retrieve As Needed option is set, the Filter method will retrieve all rows before applying the filter.

Filter has no effect on the DataWindows in a composite report.

Filtering and groups

When you filter a DataWindow with groups, you might need to call GroupCalc after you call Filter.

For information on removing the filter or letting the user specify a filter expression, see [SetFilter](#).

Examples

This statement displays rows in dw_Employee based on its current filter criteria:

```
dw_Employee.SetRedraw(false)
dw_Employee.Filter()
dw_Employee.SetRedraw(true)
```

See also

[FilteredCount](#)

[RowCount](#)

[SetFilter](#)

9.32 FilteredCount

Description

Reports the number of rows that are not displayed in the DataWindow because of the current filter criteria.

Applies to

Table 9.70:

DataWindow type	Method applies to
PowerBuilder	DataWindow control, DataWindowChild object, DataStore object

Syntax

PowerBuilder

```
long dwcontrol.FilteredCount ( )
```

Table 9.71:

Argument	Description
dwcontrol	A reference to a DataWindow control, DataStore, or child DataWindow

Return value

Returns the number of rows in dwcontrol that are not displayed because they do not meet the current filter criteria. Returns 0 if all rows are displayed and -1 if an error occurs.

If dwcontrol is null, in PowerBuilder and JavaScript the method returns null.

Usage

A DataWindow object can have a filter as part of its definition. After the DataWindow retrieves data, the filter is applied and rows that do not meet the filter criteria are moved to the filter buffer. You can change the filter criteria by calling the SetFilter method, and you can apply the new criteria with the Filter method.

Examples

These statements retrieve data in `dw_Employee`, display employees with area code 617, and then test to see if any other data was retrieved. If the filter criteria specifying the area code was part of the DataWindow definition, it would be applied automatically after calling `Retrieve` and you would not need to call `SetFilter` and `Filter`:

```
dw_Employee.Retrieve()
dw_Employee.SetFilter("AreaCode=617")
dw_Employee.SetRedraw(false)
dw_Employee.Filter()
dw_Employee.SetRedraw(true)

// Did any rows get filtered out
IF dw_Employee.FilteredCount() > 0 THEN
    ... // Process rows not in area code 617
END IF
```

These statements retrieve data in `dw_Employee` and display the number of employees whose names do not begin with **B**:

```
dw_Employee.Retrieve()

dw_Employee.SetFilter("Left(emp_lname, 1)~"B~")
dw_Employee.SetRedraw(false)
dw_Employee.Filter()
dw_Employee.SetRedraw(true)

IF dw_Employee.FilteredCount() > 0 THEN
    MessageBox("Employee Count", &
        String(dw_Employee.FilteredCount()) + &
        "Employee names do not begin with B.")
END IF
```

See also

[Filter](#)

[ModifiedCount](#)

[RowCount](#)

[SetFilter](#)

9.33 Find

Description

Finds the next row in a DataWindow or DataStore in which data meets a specified condition.

Applies to

Table 9.72:

DataWindow type	Method applies to
PowerBuilder	DataWindow control, DataWindowChild object, DataStore object

Syntax

PowerBuilder

```
long dwcontrol.Find ( string expression, long start, long end{, DWBuffer buffer} )
```

Table 9.73:

Argument	Description
dwcontrol	A reference to the DataWindow control, DataStore, or child DataWindow in which you want to search the detail band.
expression	A string whose value is a boolean expression that you want to use as the search criterion. The expression includes column names.
start	A value identifying the row location at which to begin the search. Start can be greater than the number of rows.
end	A value identifying the row location at which to end the search. End can be greater than the number of rows. To search backward, make end less than start.
buffer (optional)	The name of the buffer from which you want to find data. Values are: <ul style="list-style-type: none"> • Primary -- (Default) The data in the primary buffer (the data that has not been deleted or filtered out). • Delete -- The data in the delete buffer (data deleted from the DataWindow control). • Filter -- The data in the filter buffer (data that was filtered out).

Return value

Returns the number of the first row that meets the search criteria within the search range. Returns 0 if no rows are found and one of these negative numbers if an error occurs:

-1 -- General error

-5 -- Bad argument

If any argument's value is null, in PowerBuilder and JavaScript the method returns null.

Usage**PowerBuilder environment**

For use with a RichTextEdit control or presentation style, see Section 2.4.185, "Find" in *PowerScript Reference*.

The search is case-sensitive. When you compare text to a value in a column, the case must match.

When the Find expression includes quotes

If the text you want to find includes quotes, you must treat the nested quote as doubly nested, because the DataWindow parses the string twice before the Find method uses it. Therefore, you cannot simply alternate double and single quotes, as you can in most strings.

For example, to find the name O'Connor, the Find expression can be:

"O~~~'Connor" (3 tildes and single quote) or

"O~~~~~"Connor" (5 tildes and double quote)

but not:

"O'Connor" or "O~"OConnor"

When the last row satisfies the search criteria

If you use Find in a loop that searches through all rows, you may end up with an endless loop if the last row satisfies the search criteria. When the start value becomes greater than end, the search reverses direction and Find would always succeed, resulting in an endless loop.

To solve this problem, you could make the end value 1 greater than the number of rows (see the examples). Another approach, shown below, would be to test within the loop whether the current row is greater than the row count and, if so, exit. This PowerBuilder code illustrates how:

```
long ll_find = 1, ll_end
ll_end = dw_main.RowCount()
ll_find = dw_main.Find(searchstr, ll_find, ll_end)
DO WHILE ll_find > 0
    ... // Collect found row
    ll_find++
    // Prevent endless loop
    IF ll_find > ll_end THEN EXIT
    ll_find = dw_main.Find(searchstr, ll_find, ll_end)
LOOP
```

Examples

This statement searches for the first row in dw_status in which the value of the emp_salary column is greater than 100,000. The search begins in row 3 and continues until it reaches the last row in dw_status:

```
long ll_found
ll_found = dw_status.Find("emp_salary > 100000", &
    3, dw_status.RowCount())
```

To test values in more than one column, use boolean operators to join conditional expressions. The following statement searches for the employee named Smith whose salary exceeds 100,000:

```
long ll_found
ll_found = dw_status.Find( &
    "emp_lname = 'Smith' and emp_salary > 100000", &
    1, dw_status.RowCount())
```

These statements search for the first row in dw_emp that matches the value that a user entered in the SingleLineEdit called Name (note the single quotes embedded in the search expression around the name):

```
string ls_lname_emp
long ll_nbr, ll_foundrow

ll_nbr = dw_emp.RowCount()

// Remove leading and trailing blanks.
ls_lname_emp = Trim(sle_Name.Text)
```

```
ll_foundrow = dw_emp.Find( &
    "emp_lname = '" + ls_lname_emp + "'", 1, ll_nbr)
```

This script excerpt finds the first row that has a null value in emp_id. If no null is found, the script updates the DataWindow object. If a null is found, it displays a message:

```
IF dw_status.AcceptText() = 1 THEN
    IF dw_status.Find("IsNull(emp_id)", &
        1, dw_status.RowCount()) > 0 THEN
        MessageBox("Caution", "Cannot Update")
    ELSE
        dw_status.Update()
    END IF
END IF
```

The following script attached to a Find Next command button searches for the next row that meets the specified criteria and scrolls to that row. Each time the button is clicked, the number of the found row is stored in the instance variable il_found. The next time the user clicks Find Next, the search continues from the following row. When the search reaches the end, a message tells the user that no row was found. The next search begins again at the first row.

Note that although the search criteria are hard-coded here, a more realistic scenario would include a Find button that prompts the user for search criteria. You could store the criteria in an instance variable, which Find Next could use:

```
long ll_row

// Get the row num. for the beginning of the search
// from the instance variable, il_found
ll_row = il_found

// Search using predefined criteria
ll_row = dw_main.Find( &
    "item_id = 3 or item_desc = 'Nails'", &
    ll_row, dw_main.RowCount())
IF ll_row > 0 THEN
    // Row found, scroll to it and make it current
    dw_main.ScrollToRow(ll_row)
ELSE
    // No row was found
    MessageBox("Not Found", "No row found.")
END IF

// Save the number of the next row for the start
// of the next search. If no row was found,
// ll_row is 0, making il_found 1, so that
// the next search begins again at the beginning
il_found = ll_row + 1
```

This example searches all the rows in dw_main and builds a list of the names that include a lowercase a. Note that the end value of the search is one greater than the row count, avoiding an infinite loop if the name in the last row satisfies the search:

```
long ll_find, ll_end
string ll_list

// The end value is one greater than the row count
ll_end = dw_main.RowCount() + 1
ll_find = 1
```



```

ll_find = dw_main.Find("Pos(last_name,'a') > 0", &
    ll_find, ll_end)
DO WHILE ll_find > 0
    //collect names
    ll_list = ll_list + '~r' &
        + dw_main.GetItemString(ll_find,'last_name')

    // Search again
    ll_find++
    ll_find = dw_main.Find("Pos(last_name,'a') &
        > 0", ll_find, ll_end )
LOOP

```

See also[FindGroupChange](#)[FindRequired](#)

9.34 FindGroupChange

Description

Searches for the next break for the specified group. A group break occurs when the value in the column for the group changes. FindGroupChange reports the row that begins the next section.

Applies to**Table 9.74:**

DataWindow type	Method applies to
PowerBuilder	DataWindow control, DataStore object

Syntax**PowerBuilder**

```
long dwcontrol.FindGroupChange ( long row, integer level )
```

Table 9.75:

Argument	Description
dwcontrol	A reference to a DataWindow control or the DataStore.
row	A value identifying the row at which you want to begin searching for the group break.
level	The number of the group for which you are searching. Groups are numbered in the order in which you defined them.

Return value

Returns the number of the row whose group column has a new value, meaning that it begins a new group. Returns 0 if the value in the group column did not change and a negative number if an error occurs.

If any argument's value is null, in PowerBuilder and JavaScript the method returns null.

The return value observes these rules based on the value of row. If the starting row is:

- The first row in a group, then FindGroupChange returns the starting row number
- A row within a group, other than the last group, then FindGroupChange returns the row number of the first row of the next group
- A row in the last group, other than the first row of the last group, then FindGroupChange returns 0

Usage

If the starting row begins a new section at the specified level, then that row is the one returned. To continue searching for subsequent breaks, increment the starting row so that the search resumes with the second row in the group.

Examples

This statement searches for the first break in group 2 in dw_regions. The search begins in row 5:

```
dw_regions.FindGroupChange(5, 2)
```

This code finds the number of the row at which a break occurs in group 1. It then checks whether the department number is 121. The search begins at row 0:

```
boolean lb_found
long ll_breakrow

lb_found = false
ll_breakrow = 0

DO WHILE NOT (lb_found)
    ll_breakrow = dw_1.FindGroupChange(ll_breakrow, 1)

    // If no breaks are found, exit.
    IF ll_breakrow <= 0 THEN EXIT

    // Have we found the section for Dept 121?
    IF dw_1.GetItemNumber(ll_breakrow, &
        "dept_id") = 121 THEN
        lb_found = true
    END IF

    // Increment starting row to find next break
    ll_breakrow = ll_breakrow + 1
LOOP

IF lb_found = false THEN
    MessageBox( &
        "Not Found", &
        "The Department was not found.")
ELSE
    ... // Processing for Dept 121
END IF
```

See also

[Find](#)

[FindRequired](#)

9.35 FindNext

Description

Finds the next occurrence of text in a RichTextEdit DataWindow control and highlights it, using criteria set up in a previous call of the Find method.

Applies to

Table 9.76:

DataWindow type	Method applies to
PowerBuilder	DataWindow control

Syntax

PowerBuilder

```
integer dwcontrol.FindNext ( )
```

Table 9.77:

Argument	Description
dwcontrol	A reference to a DataWindow control containing a DataWindow with the RichTextEdit presentation style

Return value

Returns the number of characters found. FindNext returns 0 if no matching text is found and -1 if the DataWindow's presentation style is not RichTextEdit or an error occurs.

Usage

PowerBuilder environment

For use with PowerBuilder RichTextEdit controls, see Section 2.4.191, “FindNext” in *PowerScript Reference*.

Examples

This example searches the DataWindow control dw_1 for text the user specifies in the SingleLineEdit sle_search. The search proceeds forward from the cursor position, is case-insensitive, and is not limited to whole words:

```
integer li_charsfound
li_charsfound = dw_1.Find(sle_search.Text, &
    true, true, false, true)
```

A second button labeled Find Next would have a script like this:

```
dw_1.FindNext()
```

See also

[Find](#)

9.36 FindRequired

Description

Reports the next row and column that is required and contains a null value. The method arguments that specify where to start searching also store the results of the search. You can speed up the search by specifying that FindRequired check only inserted and modified rows.

Applies to

Table 9.78:

DataWindow type	Method applies to
PowerBuilder	DataWindow control, DataStore object

Syntax

PowerBuilder

```
integer dwcontrol.FindRequired ( DWBuffer dwbuffer, long row, integer colnbr,
string colname, boolean updateonly )
```

Table 9.79:

Argument	Description
dwcontrol	A reference to the DataWindow control or DataStore in which you want to find required columns that have null values.
dwbuffer	A value indicating the DataWindow buffer you want to search for required columns. Valid buffers are: <ul style="list-style-type: none"> • Primary! • Filter!
row	A value identifying the first row to be searched. Row also stores the number of the found row. FindRequired increments the row number automatically after it validates each row's columns. When it finds a row with a required column that contains a null value, the row number is stored in row. After FindRequired validates the last column in the last row, it sets row to 0. PowerBuilder The row argument must be a variable so it can return a value for the found row.
colnbr	A value identifying the first column to be searched. Colnbr also stores the number of the found column. After validating the last column, FindRequired sets colnbr to 1 and increments row. When it finds a required column that contains a null value, the column number is stored in colnbr. PowerBuilder The colnbr argument must be a variable so it can return a value for the found column.
colname	A string in which you want to store the name of the required column that contains a null value (the name of colnbr). PowerBuilder The colname argument must be a variable so it can hold a value for the name of the found column.

Argument	Description
updateonly	<p>A value indicating whether you want to validate all rows and columns or only rows that have been inserted or modified:</p> <ul style="list-style-type: none"> • true -- Validate only those rows that have changed. Setting updateonly to true enhances performance in large DataWindows. • false -- Validate all rows and columns.

Return value

Returns 1 if FindRequired successfully checked the rows and -1 if an error occurs.

If any argument's value is null, in PowerBuilder and JavaScript the method returns null.

Usage

For FindRequired to report an empty required column, the column's value must actually be null, not an empty string.

To make a column required, set the Required property to true in a script or check the Required check box for the column in the DataWindow painter.

New rows have null values in their columns, unless the columns have default values. If updateonly is false, FindRequired reports empty required columns in new rows. If updateonly is true, FindRequired does not check new rows because new, empty rows are not updated in the database.

When the user modifies a row and leaves a column empty, the new value is an empty string, unless the column's edit style has the Empty String Is null check box checked. FindRequired does not report empty required columns in modified rows unless this property is set.

Examples

The following code makes a list of all the row numbers and column names in dw_1 in which required columns are missing values. The list is displayed in the MultiLineEdit mle_required:

```

long ll_row = 1
integer colnbr = 0
string colname

mle_required.Text = ""
DO WHILE ll_row <> 0
    colnbr++ // Continue searching at next column
    // If there's an error, exit
    IF dw_1.FindRequired(Primary!, &
        ll_row, colnbr, &
        colname, false) < 0 THEN EXIT

    // If a row was found, save the row and column
    IF ll_row <> 0 THEN
        mle_required.Text = mle_required.Text &
            + String(ll_row) + "~t" &
            + colname + "~r~n"
    END IF

    // When FindRequired returns 0 (meaning
    // no more rows found), drop out of loop
LOOP

```

This example is a function that ensures that no required column in a DataWindow control is empty (contains null). It takes one argument -- the DataWindow control, which is declared in the function declaration like this:

```
DataWindow adw_control
```

The function returns -2 if the user's last entry cannot be accepted or if FindRequired returns an error. It returns -1 if an empty required column is found. It returns 1 if all required columns have data:

```
integer li_colnbr = 1
long ll_row = 1
string ls_colname, ls_textname

// Make sure the last entry is accepted
IF adw_control.AcceptText() = -1 THEN
    adw_control.SetFocus()
    RETURN -2
END IF

// Find the first empty row and column, if any
IF adw_control.FindRequired(Primary!, ll_row, &
    li_colnbr, ls_colname, true) < 1 THEN
    //If search fails due to error, then return
    RETURN -2
END IF

// Was any row found?
IF ll_row <> 0 THEN
    // Get the text of that column's label.
    ls_textname = ls_colname + "_t.Text"
    ls_colname = adw_control.Describe(ls_textname)

    // Tell the user which column to fill in
    MessageBox("Required Value Missing", &
        "Please enter a value for '" &
        + ls_colname + "', row " &
        + String(ll_row) + ".", &
        StopSign! )

    // Make the problem column current.
    adw_control.SetColumn(li_colnbr)
    adw_control.ScrollToRow(ll_row)
    adw_control.SetFocus()
    RETURN -1
END IF

// Return success code if all required
// rows and columns have data
RETURN 1
```

See also

[Find](#)

[FindGroupChange](#)

[FindRequiredColumn](#)

[FindRequiredColumnName](#)

[FindRequiredRow](#)

[ScrollToRow](#)

[SetColumn](#)[SetTransObject](#)

9.37 FindRequiredColumn (obsolete)

Description

Returns the column number that the FindRequired method found. The column is being reported because it is a required column but contains a null value. You must call FindRequired first to search for the required but missing information.

Obsolete method

FindRequiredColumn is obsolete and should not be used, because the DataWindow Web Control for ActiveX technology is obsolete.

Applies to

Table 9.80:

DataWindow type	Method applies to
Web ActiveX	DataWindow control

Syntax

Web ActiveX

```
number dwcontrol.FindRequiredColumn ( )
```

Table 9.81:

Argument	Description
dwcontrol	A reference to the DataWindow control for which you just called FindRequired

Return value

Returns the number of a column in the DataWindow.

Usage

FindRequiredColumn, FindRequiredColumnName, and FindRequiredRow can all be called after FindRequired to identify rows and columns with missing data. For details, see [FindRequired](#).

See also

[FindRequired](#)[FindRequiredColumnName](#)[FindRequiredRow](#)

9.38 FindRequiredColumnName (obsolete)

Description

Returns the column name that the FindRequired method found. The column is being reported because it is a required column but contains a null value. You must call FindRequired first to search for the required but missing information.

Obsolete method

FindRequiredColumnName is obsolete and should not be used, because the DataWindow Web Control for ActiveX technology is obsolete.

Applies to

Table 9.82:

DataWindow type	Method applies to
Web ActiveX	DataWindow control

Syntax

Web ActiveX

```
string dwcontrol.FindRequiredColumnName ( )
```

Table 9.83:

Argument	Description
dwcontrol	A reference to the DataWindow control for which you just called FindRequired

Return value

Returns the name of a column in the DataWindow.

Usage

FindRequiredColumn, FindRequiredColumnName, and FindRequiredRow can all be called after FindRequired to identify rows and columns with missing data. For details, see [FindRequired](#).

See also

[FindRequired](#)

[FindRequiredColumn](#)

[FindRequiredRow](#)

9.39 FindRequiredRow (obsolete)

Description

Returns the row number that the FindRequired method found. The row is being reported because it contains a required column that has a null value. You must call FindRequired first to search for the required but missing information.

Obsolete method

FindRequiredRow is obsolete and should not be used, because the DataWindow Web Control for ActiveX technology is obsolete.

Applies to**Table 9.84:**

DataWindow type	Method applies to
Web ActiveX	DataWindow control

Syntax**Web ActiveX**

```
number dwcontrol.FindRequiredRow ( )
```

Table 9.85:

Argument	Description
dwcontrol	A reference to the DataWindow control for which you just called FindRequired

Return value

Returns the number of a row in the DataWindow.

Usage

FindRequiredColumn, FindRequiredColumnName, and FindRequiredRow can all be called after FindRequired to identify rows and columns with missing data. For details, see [FindRequired](#).

See also

[FindRequired](#)

[FindRequiredColumn](#)

[FindRequiredColumnName](#)

9.40 Generate (obsolete)**Description**

Creates HTML syntax for the Web DataWindow.

Obsolete method

Generate is obsolete and should not be used, because the Web DataWindow technology is obsolete.

Applies to**Table 9.86:**

DataWindow type	Method applies to
Web	Server component

Syntax**Web DataWindow server component**

```
string dwcontrol.Generate ( )
```

Return value

Returns an HTML rendering of the current page of the DataWindow if the method succeeds and an empty string if an error occurs.

Usage

Call this method to create HTML syntax from the DataWindow defined for the server component. The Generate method is usually called by a server-side script running on a page server. The page server creates the complete Web page by combining the return value with other appropriate HTML elements.

The contents of the page of data can be affected by user actions in the client control. The page server calls the SetAction method before calling Generate to apply the user's actions.

The Generate method causes DataWindow columns to be rendered as HTML INPUT elements with the following exceptions:

- A column to which you assign a hyperlink. The hyperlink is valid only if the column tab order is set to 0, its Protect property is set to 1, or if it has an Edit.DisplayOnly property that is set to "yes". A column with a valid hyperlink is rendered in an <A HREF> tag.
- A column for which the ValueIsHTML property is set to true. The column value can be plain text or some combination of HTML tags and plain text. The column value is included unchanged within the generated HTML page.
- A column with a DropDownListBox or DropDownDW edit style. Columns with these edit styles are always be rendered in <SELECT> tags.
- Computed fields that are not dynamically calculated on the client. Computed fields are rendered as HTML INPUT elements only if the ClientComputedFields property for the DataWindow is set to "yes". Otherwise they are rendered as text.

If the column has a validation rule, it is translated to JavaScript if possible. Parts of the DataWindow object included in the generated HTML are:

- Columns, computed fields, text controls
- Pictures (picture format should be GIF or JPEG)
- Buttons
- Page headers and footers
- Group headers and trailers
- Summary bands
- Display formats, validation rules, edit styles (EditMasks are converted to display formats)

DataWindow features that will not be rendered into HTML include:

- Graph, OLE, and RichText presentation styles and controls
- Drawing controls (lines, circles, rectangles)

- Client-side expressions that include aggregate functions. Such expressions will be computed on the server
- Resizable and movable controls
- Sliding of controls to fill empty space
- Autosizing of height or width

Examples

The following example generates a DataWindow object in HTML:

```
dwGen.Generate();
```

See also

[GenerateXHTML](#)

[GenerateXMLWeb](#)

[SetAction](#)

[SetBrowser](#)

[SetColumnLink](#)

[SetDWObject](#)

[SetHTMLObjectName](#)

[SetPageSize](#)

[SetSelfLink](#)

[SetServerSideState](#)

[SetTrans](#)

[SetWeight](#)

9.41 GenerateHTMLForm (obsolete)

Description

Creates an HTML Form element containing columns for one or more rows in a DataWindow control or DataStore. This method also returns an HTML Style element containing style sheet information.

Obsolete method

GenerateHTMLForm is obsolete and should not be used, because the Web DataWindow technology is obsolete.

Applies to

Table 9.87:

DataWindow type	Method applies to
PowerBuilder	DataWindow control, DataWindowChild object, DataStore object

Syntax

PowerBuilder

```
integer dwcontrol.GenerateHTMLForm ( string syntax, string style, string action { ,
long startrow, long endrow, integer startcolumn, integer endcolumn {, DWBuffer
buffer } } )
```

Return value

Returns 1 if the method succeeds and -1 if an error occurs.

If any argument is null, the method returns null.

9.42 GenerateResultSet

Description

Generates a result set from data in a DataStore or DataWindow control.

In PowerBuilder, when the result set is generated in a component on a transaction server, the format of the result set is ADO Recordset on MTS.

Applies to

Table 9.88:

DataWindow type	Method applies to
PowerBuilder	DataStore object

Syntax

PowerBuilder

```
integer dsobject.GenerateResultSet (REF ResultSet rsdest { ,dwBuffer dwbuffer } )
```

Table 9.89:

Argument	Description
dsobject	The name of the DataStore object that contains the data to be returned in the result set.
rsdest	The ResultSet object into which the data in the DataStore is written. This value is passed by reference.
dwbuffer (optional)	A value of the dwBuffer enumerated datatype identifying the DataWindow buffer containing the data for the result set. The default is the primary buffer. For a list of valid values, see DWBuffer .

Return value

Returns 1 if it succeeds and -1 if it fails. If any argument is null, it returns null.

Usage

How to use it

Result sets are intended for exchanging data between a DataStore and some data-aware application that does not use DataWindow technology. With result sets, the receiving end does not support updating of the data.

The `GenerateResultSet` method is typically used in a PowerBuilder custom class user object that has been packaged as a component on an MTS server. A function in the user object generates a result set from information that has been retrieved into a `DataStore`. The function then returns the result set or passes it to another method.

For example, a function for PowerBuilder custom class user object running in a transaction server can retrieve data into a `DataStore` object, create a result set object, and return the result set. A client application calls the function to get the data. The client application must be able to handle result sets, but it does not need to have support for DataWindow technology.

Likewise, a client application can generate a result set from a `DataStore` and pass the result set to the server.

The `CreateFrom` method can convert a result set back to a `DataStore`.

Result set format

The result set is returned to a client in a format that is standard for the server. In MTS, returning a result set created by `GenerateResultSet` causes an ADO Recordset to be marshaled to the client.

The `GenerateResultSet` method can also be called in a client application. Since the format of the result set depends on the server on which it is used, the format is fixed when that result set is passed to a server. For MTS, the format is an ADO Recordset.

Destroying or modifying the DataStore

The generated `ResultSet` object maintains a reference to the `DataStore` from which it was generated, so changes made to the `DataStore` object after the result set is generated will be reflected in the generated `ResultSet` object. If you destroy the `DataStore` object before returning the result set, the result set becomes invalid. You can rely on garbage collection to destroy the `DataStore` object or destroy it explicitly in the component's deactivate event.

Examples

In this example, a `DataStore` object is created and data is retrieved into it, and then the `GenerateResultSet` method is used to create a result set that can be returned to a client.

```
datastore ds_datastore
resultset lrs_resultset
integer li_rc

ds_datastore = CREATE DataStore
ds_datastore.SetTransObject (SQLCA)
IF ds_datastore.Retrieve() = -1 THEN
    ... // report error and return
END IF

li_rc = ds_datastore.GenerateResultSet(lrs_resultset)
IF li_rc <> 1 THEN
    ... // report error and return
END IF
return lrs_resultset
```

See also

[CreateFrom](#)

SetRecordSet in Section 2.4.758, “SetRecordSet” in *PowerScript Reference*

9.43 GenerateXHTML (obsolete)

Description

Generates the inline content of the Web DataWindow in XHTML.

Obsolete method

GenerateXHTML is obsolete and should not be used, because the Web DataWindow technology is obsolete.

Applies to

Table 9.90:

DataWindow type	Method applies to
Web	Server component

Syntax

Web DataWindow server component

```
string dwcontrol.GenerateXHTML ({page[ ] variables})
```

Table 9.91:

Argument	Description
dwcontrol	The name of the server-side DataWindow control you want to generate in XHTML.
page	An array for passing page variables. The page variables must be defined as String datatypes.

Return value

Integer. 1 indicates success, and -1 indicates failure.

Usage

At runtime, GenerateXHTML performs the tasks required to generate the dynamic XHTML, including retrieving the action context and generating the XHTML inline. Connection errors, including database error messages, are also generated inline.

For information about the advantages and limitations of each rendering format, see Part I, “DataWindow Programmers Guide”.

The GenerateXHTML method delivers the DataWindow in XHTML to the client browser and it generates a CSS style sheet and JS files that are cached on the client side and referenced in the XHTML source.

Examples

The following JSP example specifies subdirectories of the current application directory to publish the CSS and JS components of the Web DataWindow and generates the DataWindow in XHTML:

```
String resourceBase = request.getScheme() + "://" +
    request.getServerName() + ":" +
    request.getServerPort() + request.getContextPath();
String publishPath = application.getRealPath("/");
dwGen.Modify("DataWindow.CSSGen.ResourceBase = '" +
    resourceBase + "/css'");
dwGen.Modify("DataWindow.CSSGen.PublishPath = '" +
    publishPath + "css'");
dwGen.Modify("DataWindow.JSGen.ResourceBase = '" +
    resourceBase + "/js'");
dwGen.Modify("DataWindow.JSGen.PublishPath = '" +
    publishPath + "js'");
String dwXHTML = dwGen.GenerateXHTML();
out.print (dwXHTML);
```

See also[Generate](#)[GenerateXMLWeb](#)

9.44 GenerateXMLWeb (obsolete)

Description

Generates the XML content and the XSLT and CSS style sheets for a Web DataWindow, which is transformed to XHTML on the client side.

Obsolete method

GenerateXMLWeb is obsolete and should not be used, because the Web DataWindow technology is obsolete.

Applies to**Table 9.92:**

DataWindow type	Method applies to
Web	Server component

Syntax**Web DataWindow server component**

```
string dwcontrol.GenerateXMLWeb ({page[ ] variables})
```

Table 9.93:

Argument	Description
dwcontrol	The name of the server-side DataWindow control
page	An array for passing page variables. The page variables must be defined as String datatypes.

Return value

Integer. 1 indicates success, and -1 indicates failure.

Usage

The `GenerateXMLWeb` function uses the resource base and publish paths for a `DataWindow` object to determine where it generates XML, XSLT, CSS, and JS files. If a resource base or a publish path is not specified for a `DataWindow` object, the `GenerateXMLWeb` function creates a `TEMP` directory on the server where the XML, XSLT, CSS, and JS files are stored.

At design time, you can override the resource base and publish paths by making `Modify` calls on the `DataWindow` object in the Source view before you call `GenerateXMLWeb`. The following example creates separate subdirectories for XML, XSLT, CSS, and JS files:

```
String resourceBase = request.getScheme() + "://" +
    request.getServerName() + ":" +
    request.getServerPort() + request.getContextPath();
String publishPath = application.getRealPath("/");
dwGen.Modify("DataWindow.XMLGen.ResourceBase = '" +
    resourceBase + "/xml'");
dwGen.Modify("DataWindow.XMLGen.PublishPath = '" +
    publishPath + "xml'");
dwGen.Modify("DataWindow.XSLTGen.ResourceBase = '" +
    resourceBase + "/xsl'");
dwGen.Modify("DataWindow.XSLTGen.PublishPath = '" +
    publishPath + "xsl'");
dwGen.Modify("DataWindow.CSSGen.ResourceBase = '" +
    resourceBase + "/css'");
dwGen.Modify("DataWindow.CSSGen.PublishPath = '" +
    publishPath + "css'");
dwGen.Modify("DataWindow.JSGen.ResourceBase = '" +
    resourceBase + "/js'");
dwGen.Modify("DataWindow.JSGen.PublishPath = '" +
    publishPath + "js'");
```

At runtime, the client browser displays an XHTML page that it transforms from XML using XSLT applied with CSS and JS files that it gets initially from the server. However, in most cases, after the initial loading of the page, the client does not need to go back to the server to obtain layout (XSLT) or styling (CSS) information, as these remain in the browser's cache. This provides greater efficiency and scalability for your Web applications.

Examples

In the following example, the Web `DataWindow` component generates the XML document, XSLT and CSS style sheets, and JS files for the content, structure, styling, and client-side functionality of the Web `DataWindow`:

```
dwGen.GenerateXMLWeb();
```

See also

[Generate](#)

[GenerateXHTML](#)

9.45 GetBandAtPointer

Description

Reports the band in which the pointer is currently located, as well as the row number associated with the band. The bands are the headers, trailers, and detail areas of the `DataWindow` and correspond to the horizontal areas of the `DataWindow` painter.

Applies to**Table 9.94:**

DataWindow type	Method applies to
PowerBuilder	DataWindow control

Syntax**PowerBuilder**

```
string dwcontrol.GetBandAtPointer ( )
```

Table 9.95:

Argument	Description
dwcontrol	A reference to a DataWindow control.

Return value

Returns a string that names the band in which the pointer is located, followed by a tab character and the number of the row associated with the band (see the table in Usage). Returns the empty string (" ") if an error occurs.

If dwcontrol is null, the method returns null.

Usage

The following table lists the band names, where the pointer is when a given band is reported, and the row that is associated with the band.

Table 9.96:

Band	Location of pointer	Associated row
detail	In the body of the DataWindow object	The row at the pointer. If rows do not fill the body of the DataWindow object because of a group with a page break, then the first row of the next group. If the body is not filled because there are no more rows, then the last row.
header	In the header of the DataWindow object	The first row visible in the DataWindow body.
header.n	In the header of group level n	The first row of the group.
trailer.n	In the trailer of group level n	The last row of the group.
footer	In the footer of the DataWindow object	The last row visible in the DataWindow body.
summary	In the summary of the DataWindow object	The last row before the summary.

You can parse the return value by searching for the tab character (ASCII 09). In PowerBuilder, search for ~t. For an example that parses a string that includes a tab, see [GetValue](#).

Examples

These statements set the string named band to the location of the pointer in DataWindow dw_rpt:

```
String band
band = dw_rpt.GetBandAtPointer()
```

Some possible return values are:

Table 9.97: Example return values for the GetBandAtPointer method

Return value	Meaning
detail[tab]8	In row 8 of the detail band of dw_rpt
header[tab]10	In the header of dw_rpt; row 10 is the first visible row
header.2[tab]1	In the header of group level 2 for row 1
trailer.1[tab]5	In the trailer of group level 1 for row 5
footer[tab]111	In the footer of dw_rpt; the last visible row is 111
summary[tab]23	In the summary of dw_rpt; the last row is 23

See also

[GetObjectAtPointer](#)

9.46 GetBorderStyle

Description

Reports the border style of a column in a DataWindow control or DataStore object.

Applies to

Table 9.98:

DataWindow type	Method applies to
PowerBuilder	DataWindow control, DataWindowChild object, DataStore object

Syntax

PowerBuilder

```
border dwcontrol.GetBorderStyle ( integer column )
border dwcontrol.GetBorderStyle ( string column )
```

Table 9.99:

Argument	Description
dwcontrol	A reference to a DataWindow control, DataStore, or child DataWindow.
column	The column for which you want to obtain the border style. Column can be a column number or a column name.

Return value

Returns the border style of column in dwcontrol as a value of the Border enumerated datatype. For a list of possible values, see [Border](#).

Returns null if it fails. If any argument is null, the method returns null.

Examples

This code gets the border style for the current column:

```
border B2
B2 = dw_emp.GetBorderStyle(dw_emp.GetColumn())
```

This code tests the border of column 2 in dw_emp and, if there is no border, displays a shadow box border:

```
border B2
B2 = dw_emp.GetBorderStyle(2)
IF B2 = NoBorder! THEN
    dw_emp.SetBorderStyle(2, ShadowBox!)
END IF
```

See also

[SetBorderStyle](#)

9.47 GetChanges

Description

Retrieves changes made to a DataWindow or DataStore as a blob. This method is used primarily in distributed applications.

Applies to

Table 9.100:

DataWindow type	Method applies to
PowerBuilder	DataWindow control, DataStore object

Syntax

PowerBuilder

```
long dwcontrol.GetChanges ( REF blob changeblob {, blob cookie } )
```

Table 9.101:

Argument	Description
dwcontrol	A reference to a DataWindow control or DataStore.
changeblob	A variable into which the returned DataWindow changes will be placed.
cookie (obsolete)	A read-only blob created by GetStateStatus that is compared with the changeblob to determine the likely success of a subsequent call to SetChanges. This argument is obsolete and will be disabled in a future release.

Return value

Returns the number of rows in the DataWindow change blob if it succeeds and one of the following values if it fails:

- -1 -- An internal error occurred.
- -2 -- There is a conflict between the state of the DataWindow change blob and the state of the DataWindow from which the cookie was created; an attempt to use this blob in a SetChanges call against the DataWindow will fail.
- -3 -- There is a conflict between the state of the DataWindow change blob and the state of the DataWindow from which the cookie was created; but partial changes from the change blob can be applied.

If any argument is null, the method returns null.

Usage

GetChanges is used in conjunction with SetChanges to synchronize two or more DataWindows or DataStores. GetChanges retrieves data buffers and status flags for changed rows in a DataWindow or DataStore and places this information in a blob. SetChanges then applies the contents of this blob to another DataWindow or DataStore.

Reapplying changes from one DataWindow (or DataStore) to another

If you call GetChanges on a DataWindow and apply the data passed in the changeblob argument to another DataWindow using SetChanges, you must call GetChanges on the second DataWindow before you reapply changes to it from the first DataWindow. The GetChanges call on the second DataWindow updates the original timestamp on that DataWindow so that it matches the current timestamp. (You cannot use the Reset, ResetUpdate, or AcceptText calls to update the original timestamp.) If you try to reapply changes without first calling GetChanges on the second DataWindow, you will get an error due to the conflict between the state of the DataWindow changeblob and the state of the second DataWindow.

The change blob created by GetChanges includes only those rows that have a status of New!, NewModified!, or DataModified!.

For information about status values, see [DWItemStatus](#).

Examples

These statements use GetChanges to capture changes to a DataWindow control on a client. If GetChanges succeeds, the client calls a remote object function that applies the changes to a DataStore on the server and updates the database:

```
blob lblb_changes
long ll_rv

ll_rv = dw_employee.GetChanges(lblb_changes)

IF ll_rv = -1 THEN
    MessageBox("Error", "GetChanges call failed!")
ELSE
    iuo_employee.UpdateData(lblb_changes)
END IF
```

See also[GetFullState](#)[GetStateStatus](#)[SetChanges](#)[SetFullState](#)**9.48 GetChangesBlob (obsolete)****Description**

Returns changes made to a DataWindow or DataStore. You must call `GetChanges` first to set up the change information. This method is used primarily in distributed applications.

Obsolete method

`GetChangesBlob` is obsolete and should not be used, because the DataWindow Web Control for ActiveX technology is obsolete.

Applies to**Table 9.102:**

DataWindow type	Method applies to
Web ActiveX	DataWindow control

Syntax**Web ActiveX**

```
string dwcontrol.GetChangesBlob ( )
```

Table 9.103:

Argument	Description
dwcontrol	A reference to the DataWindow control for which you just called <code>GetChanges</code>

Return value

Returns a string whose value is the DataWindow change blob set up by `GetChanges`.

If `dwcontrol` is null, the method returns null.

Usage

`GetChanges` and `GetChangesBlob` are used in conjunction with `SetChanges` to synchronize two or more DataWindows or DataStores. For details, see [GetChanges](#).

Examples

These statements use `GetChanges` to capture changes to a DataWindow control on a client. If `GetChanges` succeeds, the client calls a remote object function that applies the changes to a DataStore on the server and updates the database:

```
blob lblb_changes
long ll_rv
```

```

ll_rv = dw_employee.GetChanges(lblb_changes)

IF ll_rv = -1 THEN
    MessageBox("Error", "GetChanges call failed!")
ELSE
    iuo_employee.UpdateData(lblb_changes)
END IF

```

See also[GetFullState](#)[GetStateStatus](#)[SetChanges](#)[SetFullState](#)

9.49 GetChild

Description

Provides a reference to a child DataWindow or to a report in a composite DataWindow, which you can use in DataWindow functions to manipulate that DataWindow or report.

Applies to**Table 9.104:**

DataWindow type	Method applies to
PowerBuilder	DataWindow control, DataStore object

Syntax**PowerBuilder**

```
integer dwcontrol.GetChild (string name, REF DataWindowChild dwchildvariable )
```

Table 9.105:

Argument	Description
dwcontrol	A reference to the DataWindow control or DataStore that contains the child DataWindow or report.
name	A string that names the column containing the child DataWindow or that names the report in the composite DataWindow.
dwchildvariable	A variable in which you want to store the reference to the child DataWindow or report.

Return value

Returns 1 if it succeeds and -1 if an error occurs -- for example, if the child object does not exist.

If any argument is null, in PowerBuilder and JavaScript the method returns null.

Usage

A child DataWindow is a DropDownDataWindow in a DataWindow object.

A report is a DataWindow that is part of a composite DataWindow. A report is read-only. When you define the composite DataWindow in the DataWindow painter, each report is given a name. You can see the name in the Name option of the Properties view. You must use the report name (not the name of the DataWindow object in which the report has been placed) when calling GetChild.

Use GetChild when you need to explicitly retrieve data for a child DataWindow or report. Although PowerBuilder automatically retrieves data for the child or report when the main DataWindow is displayed, you need to explicitly retrieve data when there are retrieval arguments or when conditions change and you want to retrieve new rows.

When you insert a row or retrieve data in the main DataWindow, PowerBuilder automatically retrieves data for the child DataWindow. If the child DataWindow has retrieval arguments, PowerBuilder displays a dialog box asking the user for values for those arguments. To suppress the dialog box, you can explicitly retrieve data for the child before changing the main DataWindow (see the example).

Nested reports

You cannot use GetChild to get a reference to a report in a composite DataWindow when the report itself is a composite or nested DataWindow.

Changing property values with the Modify method can cause the reference returned by GetChild to become invalid. After setting such a property, call GetChild again. If a property causes this behavior, this is noted in its description in [DataWindow Object Properties](#)

Examples

This example retrieves data for the child DataWindow associated with the column emp_state before retrieving data in the main DataWindow. The child DataWindow expects a region value as a retrieval argument. Because you populate the child DataWindow first, specifying a value for its retrieval argument, there is no need for PowerBuilder to display the retrieval argument dialog box:

```
DataWindowChild state_child
integer rtncode

rtncode = dw_1.GetChild('emp_state', state_child)
IF rtncode = -1 THEN MessageBox( &
    "Error", "Not a DataWindowChild")

// Establish the connection
CONNECT USING SQLCA;

// Set the transaction object for the child
state_child.SetTransObject(SQLCA)

// Populate with values for eastern states
state_child.Retrieve("East")

// Set transaction object for main DW and retrieve
dw_1.SetTransObject(SQLCA)
dw_1.Retrieve()
```

In a composite DataWindow there are two reports: orders and current inventory. The orders report has a retrieval argument for selecting the order status. This report displays open orders. The composite DataWindow is displayed in a DataWindow control called dw_news and the

reports are named `open_orders` and `current_inv`. The following code in the `Open` event of the window that contains `dw_news` provides a retrieval argument for `open_orders`:

```
DataWindowChild dwc_orders
dw_news.GetChild("open_orders", dwc_orders)
dwc_orders.SetTransObject(SQLCA)
dwc_orders.Retrieve("open")
```

See also

[GetChildObject](#)

[SetTransObject](#)

9.50 GetChildObject (obsolete)

Description

Gets the reference to a child object for a Web ActiveX DataWindow.

Obsolete method

`GetChildObject` is obsolete and should not be used, because the DataWindow Web Control for ActiveX technology is obsolete.

Applies to

Table 9.106:

DataWindow type	Method applies to
Web ActiveX	DataWindow control

Syntax

Web ActiveX

```
OleObject dwcontrol.GetChildObject ( )
```

Table 9.107:

Argument	Description
<code>dwcontrol</code>	A reference to the DataWindow control or DataStore that contains the child DataWindow or report

Return value

Returns an object that is the `DataWindowChild` or report. If no object is found, a null object reference is returned.

Usage

You must call `GetChild` before you call `GetChildObject`.

Examples

The following example displays the reference to the child object in a message box:

```
var ls ;
var ldwc;
```



```

window.dw_1.GetChild ("dept_id");
ldwc = window.dw_1.GetChildObject();
ls = ldwc.Describe ("Datawindow.Table.Select");
window.alert(ls);

```

See also[GetChild](#)

9.51 GetClickedColumn

Description

Obtains the number of the column the user clicked or double-clicked in a DataWindow control or DataStore object.

Applies to**Table 9.108:**

DataWindow type	Method applies to
PowerBuilder	DataWindow control, DataWindowChild object, DataStore object

Syntax**PowerBuilder**

```
integer dwcontrol.GetClickedColumn ( )
```

Table 9.109:

Argument	Description
dwcontrol	A reference to a DataWindow control, DataStore object, or child DataWindow

Return value

Returns the number of the column that the user clicked or double-clicked in dwcontrol. Returns 0 if the user did not click or double-click a column (for example, the user double-clicked outside the data area, in text or spaces between columns, or in the header, summary, or footer area).

If dwcontrol is null, in PowerBuilder and JavaScript the method returns null.

Usage

Call GetClickedColumn in the Clicked or DoubleClicked event for a DataWindow control.

When the user clicks on the column, that column becomes the current column after the Clicked or DoubleClicked event is finished. During those events, GetColumn and GetClickedColumn can return different values.

If the user arrived at a column by another means, such as tabbing, GetClickedColumn cannot identify that column. Use GetColumn instead to identify the current column.

Examples

These statements return the number of the column the user clicked or double-clicked in dw_employee:

```
integer li_ColNbr
li_ColNbr = dw_employee.GetClickedColumn()
```

See also[GetClickedRow](#)[GetColumn](#)

9.52 GetClickedRow

Description

Obtains the number of the row the user clicked or double-clicked in a DataWindow control or DataStore object.

Applies to**Table 9.110:**

DataWindow type	Method applies to
PowerBuilder	DataWindow control, DataStore object

Syntax**PowerBuilder**

```
long dwcontrol.GetClickedRow ( )
```

Table 9.111:

Argument	Description
dwcontrol	A reference to a DataWindow control or DataStore object

Return value

Returns the number of the row that the user clicked or double-clicked in dwcontrol. Returns 0 if the user did not click or double-click a row (for example, the user double-clicked outside the data area, in text or spaces between rows, or in the header, summary, or footer area).

If dwcontrol is null, in PowerBuilder and JavaScript the method returns null.

Usage

Call GetClickedRow in the Clicked or DoubleClicked event for a DataWindow control.

When the user clicks on the row, that row becomes the current row after the Clicked or DoubleClicked event is finished. During those events, GetRow and GetClickedRow can return different values.

If the user arrived at a row by another means, such as tabbing, GetClickedRow cannot identify that row. Use GetRow instead to identify the current row.

Not on child DataWindows

The GetClickedRow method does not work on child DataWindows.

Examples

These statements return the number of the row the user clicked or double-clicked in dw_Employee:

```
long li_RowNbr
li_RowNbr = dw_employee.GetClickedRow()
```

See also

[GetClickedColumn](#)

[GetRow](#)

9.53 GetColumn

Description

Obtains the number of the current column. The current column is the column that has focus.

Applies to

Table 9.112:

DataWindow type	Method applies to
PowerBuilder	DataWindow control, DataWindowChild object, DataStore object

Syntax

PowerBuilder

```
integer dwcontrol.GetColumn ( )
```

Table 9.113:

Argument	Description
dwcontrol	A reference to a DataWindow control DataStore, or child DataWindow

Return value

Returns the number of the current column in dwcontrol. Returns 0 if no column is current (because all the columns have a tab value of 0, making all of them uneditable), and -1 if an error occurs.

If dwcontrol is null, in PowerBuilder and JavaScript the method returns null.

Usage

GetColumn and GetClickedColumn, when called in the Clicked or DoubleClicked event, can return different values. The column the user clicked does not become current until after the event.

Use GetColumnName (instead of GetColumn) when you need the column's name. Use SetColumn to change the current column.

PowerBuilder environment

For use with PowerBuilder ListView controls, see Section 2.4.224, "GetColumn" in *PowerScript Reference*.

The current column

A column becomes the current column after the user tabs to it or clicks it or if a script calls the `SetColumn` method. A column cannot be current if it cannot be edited (if it has a tab value of 0).

A DataWindow always has a current column, even when the control is not active, as long as there is at least one editable column.

Examples

These statements return the number of the current column in `dw_Employee`:

```
integer li_ColNum
li_ColNum = dw_employee.GetColumn()
```

See also

[GetClickedColumn](#)

[GetColumnName](#)

[GetRow](#)

[SetColumn](#)

[SetRow](#)

9.54 GetColumnName

Description

Obtains the name of the current column. The current column is the column that has the focus.

Applies to

Table 9.114:

DataWindow type	Method applies to
PowerBuilder	DataWindow control, DataWindowChild object, DataStore object

Syntax

PowerBuilder

```
string dwcontrol.GetColumnName ( )
```

Table 9.115:

Argument	Description
dwcontrol	A reference to a DataWindow control DataStore, or child DataWindow

Return value

Returns the name of the current column in `dwcontrol`. Returns the empty string ("") if no column is current or if an error occurs.

If `dwcontrol` is null, in PowerBuilder and JavaScript the method returns null.

Usage

For information on the current column, see [GetColumn](#).

Examples

These statements return the name of the current column in `dw_Employee`:

```
string ls_ColName
ls_ColName = dw_employee.GetColumnName()
```

See also

[GetColumn](#)

[GetRow](#)

[SetColumn](#)

[SetRow](#)

9.55 GetContextService

Description

Returns a reference to a context-specific instance of the specified service.

Applies to

Table 9.116:

DataWindow type	Method applies to
PowerBuilder	DataWindow control, DataWindowChild object, DataStore object

Syntax

PowerBuilder

```
integer objectname.GetContextService ( string servicename, PowerObject
servicereference )
```

Table 9.117:

Argument	Description
<code>objectname</code>	A reference to an object or control for which you want a service.
<code>servicename</code>	String specifying the service object. Valid values include: <ul style="list-style-type: none"> ContextInformation -- Context information service Internet -- Internet service ContextKeyword -- Context keyword service
<code>servicereference</code>	PowerObject into which the method places a reference to the service object specified by <code>servicename</code> . This argument is passed by reference.

Return value

Returns 1 if the method succeeds and -1 if an error occurs.

Usage

Inherited from PowerObject. For information, see Section 2.4.231, “GetContextService” in *PowerScript Reference*.

9.56 GetFormat

Description

Obtains the display format assigned to a column in a DataWindow control or DataStore object.

Applies to

Table 9.118:

DataWindow type	Method applies to
PowerBuilder	DataWindow control, DataWindowChild object, DataStore object

Syntax

PowerBuilder

```
string dwcontrol.GetFormat ( string column )
string dwcontrol.GetFormat ( integer column )
```

Table 9.119:

Argument	Description
dwcontrol	A reference to a DataWindow control, DataStore, or child DataWindow.
column	The column for which you want the display format. Column can be a column number (integer) or a column name (string).

Return value

Returns the display format specification for column in dwcontrol. If an error occurs, GetFormat returns the empty string ("").

If any argument value is null, in PowerBuilder and JavaScript the method returns null.

Usage

If you want to change the display format of a column temporarily, you can use GetFormat to save the current format.

Examples

These statements save the format of column salary of dw_employee before changing it to a new format:

```
string OldFormat, NewFormat = "$###,###.00"
OldFormat = dw_employee.GetFormat("salary")
dw_employee.SetFormat("salary", NewFormat)
```

See also

[SetFormat](#)

9.57 GetFullContext (obsolete)

Description

This method returns a string representing the context of the client-side control to be passed on a form submit.

Obsolete method

GetFullContext is obsolete and should not be used, because the Web DataWindow technology is obsolete.

Applies to

Table 9.120:

DataWindow type	Method applies to
Web	Client control

Syntax

Web DataWindow client control

```
string dwcontrol.GetFullContext ( )
```

Table 9.121:

Argument	Description
dwcontrol	A reference to a DataWindow control

Return value

String

Usage

Use to host multiple DataWindows.

Examples

The following client side script transfers the context and action from one DataWindow to the DataWindow being submitted.

```
<SCRIPT>
function dw_first_OnSubmit()
{
    dw_first.submitForm.dw_second_context.value =
        dw_second.GetFullContext();
    dw_first.submitForm.dw_second_action.value = "";
}

function dw_second_OnSubmit()
{
    dw_second.submitForm.dw_first_context.value =
        dw_first.GetFullContext();
    dw_second.submitForm.dw_first_action.value = "";
}
```

```
}
</SCRIPT>
```

To enable the second DataWindow to create the required fields on the submit form, each of the DataWindows must have two arguments defined in the SelfLinkArgs property:

dw_first must have dw_second_context and dw_second_action defined

dw_second must have dw_first_context and dw_first_action defined

9.58 GetFullState

Description

Retrieves the complete state of a DataWindow or DataStore as a blob.

This method is used primarily in distributed applications.

Applies to

Table 9.122:

DataWindow type	Method applies to
PowerBuilder	DataWindow control, DataStore object

Syntax

PowerBuilder

```
long dwcontrol.GetFullState ( blob dwasblob )
```

Table 9.123:

Argument	Description
dwcontrol	A reference to a DataWindow control or DataStore.
dwasblob	A variable into which the returned DataWindow will be placed.

Return value

Returns the number of rows in the DataWindow blob if it succeeds and -1 if an error occurs. GetFullState will return -1 if the DataWindow control or DataStore does not have a DataWindow object associated with it.

If any argument value is null, in PowerBuilder and JavaScript the method returns null.

Usage

GetFullState retrieves the entire state of a DataWindow or DataStore, including the DataWindow object specification, the data buffers, and the status flags. When you call SetFullState to apply the blob created by GetFullState to another DataWindow, the target DataWindow has enough information to recreate the source DataWindow.

Because the blob created by GetFullState contains the DataWindow object specification, a subsequent call to SetFullState will overwrite the DataWindow object for the target DataWindow control or DataStore. If the target of SetFullState does not have a DataWindow

object associated with it, the blob will assign one. In this case, SetFullState has the effect of setting the DataObject property for the target.

When you use GetFullState and SetFullState to synchronize a DataWindow control on a client with a DataStore on a server, you need to make sure that the DataWindow object for the DataStore contains the presentation style you want to display on the client.

Examples

These statements retrieve data into a DataStore and use GetFullState to retrieve the complete state of the DataStore into a blob:

```
// Instance variables:
// datastore ids_datastore
// blob blb_data
long ll_rv

ids_datastore = create datastore
ids_datastore.dataobject = "d_emplist"
ids_datastore.SetTransObject (SQLCA)
ids_datastore.Retrieve()
ll_rv = ids_datastore.GetFullState(blb_data)
```

See also

[GetChanges](#)

[GetFullStateBlob](#)

[GetStateStatus](#)

[SetChanges](#)

[SetFullState](#)

9.59 GetFullStateBlob (obsolete)

Description

Returns the state of a DataWindow or DataStore. You must call GetFullState first to set up the state information. This method is used primarily in distributed applications.

Obsolete method

GetFullStateBlob is obsolete and should not be used, because the DataWindow Web Control for ActiveX technology is obsolete.

Applies to

Table 9.124:

DataWindow type	Method applies to
Web ActiveX	DataWindow control

Syntax

Web ActiveX

```
string dwcontrol.GetFullStateBlob ( )
```

Table 9.125:

Argument	Description
dwcontrol	A reference to the DataWindow control for which you just called GetFullState

Return value

Returns a string whose value is the DataWindow state blob set up by GetFullState.

If dwcontrol is null, the method returns null.

Usage

GetFullState and GetFullStateBlob are used in conjunction with SetFullState to synchronize two or more DataWindows or DataStores. For details, see [GetFullState](#).

Examples

These statements use GetChanges to capture changes to a DataWindow control on a client. If GetChanges succeeds, the client calls a remote object function that applies the changes to a DataStore on the server and updates the database:

```
blob lblb_changes
long ll_rv

ll_rv = dw_employee.GetChanges(lblb_changes)

IF ll_rv = -1 THEN
    MessageBox("Error", "GetChanges call failed!")
ELSE
    iuo_employee.UpdateData(lblb_changes)
END IF
```

See also

[GetFullState](#)

[GetStateStatus](#)

[SetChanges](#)

[SetFullState](#)

9.60 GetItem (obsolete)**Description**

Gets the value of an item for the specified row and column in a Web DataWindow client control. Use one of the datatype-specific methods such as GetItemString for other types of DataWindow control. GetItem returns the value available in the data available to the client. This is equivalent to the primary buffer in other environments.

Obsolete method

GetItem is obsolete and should not be used, because the Web DataWindow technology is obsolete.

Applies to

Table 9.126:

DataWindow type	Method applies to
Web	Client control

Syntax

Web DataWindow client control

```
returnvalue dwcontrol.GetItem (number row, number column )
returnvalue dwcontrol.GetItem (number row, string column )
```

Table 9.127:

Argument	Description
dwcontrol	A reference to a DataWindow control.
row	A value identifying the row location of the data.
column	The column location of the data. Column can be a column number or a column name. The column number is the number of the column as it is listed in the Column Specification view of the DataWindow painter -- not necessarily the number of the column in the Design view. To get the contents of a computed field, specify the name of the computed field for column. Computed fields do not have numbers.

Return value

Returns the value in the specified row and column. The datatype of the returned data corresponds to the datatype of the column. Returns null if the column value is null. Returns the empty string ("") if an error occurs.

If any argument value is null, the method returns null.

Usage

Use `GetItem` to get data that has been accepted by the DataWindow. In a script for the `ItemChanged` or `ItemError` event, you can use the `newValue` argument to find out what the user entered before the data is accepted.

Examples

This statement sets `LName` to the value for row 3 of the `emp_name` column in the DataWindow `dw_employee`:

```
var LName = dw_employee.GetItem(3, "emp_name");
```

See also

[SetItem](#)

9.61 GetItemDate

Description

Gets data whose type is `Date` from the specified buffer of a DataWindow control or `DataStore` object. You can obtain the data that was originally retrieved and stored in the database from the original buffer, as well as the current value in the primary, delete, or filter buffers.

Applies to

Table 9.128:

DataWindow type	Method applies to
PowerBuilder	DataWindow control, DataWindowChild object, DataStore object

Syntax

PowerBuilder

```
date dwcontrol.GetItemDate ( long row, string column
    { , DWBuffer dwbuffer , boolean originalvalue } )
date dwcontrol.GetItemDate ( long row, integer column
    { , DWBuffer dwbuffer, boolean originalvalue } )
```

Table 9.129:

Argument	Description
dwcontrol	A reference to a DataWindow control, DataStore, or child DataWindow.
row	A value identifying the row location of the data.
column	The column location of the data. The datatype of the column must be date. Column can be a column number or a column name. The column number is the number of the column as it is listed in the Column Specification view of the DataWindow painter -- not necessarily the number of the column in the Design view. To get the contents of a computed field, specify the name of the computed field for column. Computed fields do not have numbers.
dwbuffer (optional)	A value identifying the DataWindow buffer from which you want to get the data. For a list of valid values, see DWBuffer .
originalvalue (optional)	A boolean indicating whether you want the original or current values for row and column: <ul style="list-style-type: none"> • True -- Returns the original values (the values initially retrieved from the database). • False -- (Default) Returns the current values. If you specify dwbuffer, you must also specify originalvalue.

Return value

Returns the date value in the specified row and column. Returns null if the column value is null or if there is no DataWindow object assigned to the DataWindow control or DataStore. Returns 1900-01-01 if any other error occurs.

If any argument value is null, in PowerBuilder and JavaScript the method returns null.

Usage

Use `GetItemDate` when you want to get information from the DataWindow's buffers. To find out what the user entered in the current column before that data is accepted, use `GetText`. In the `ItemChanged` or `ItemError` events, use the data argument.

To access a row in the original buffer, specify the buffer that the row currently occupies (primary, delete, or filter) and the number of the row in that buffer. When you specify true for `originalvalue`, the method gets the original data for that row from the original buffer.

An execution error occurs when the datatype of the DataWindow column does not match the datatype of the method; in this case, date.

Datatypes of columns and computed fields

There is a difference in datatypes between columns and computed columns retrieved from the database and computed fields defined in the DataWindow painter. Computed columns from the database can have a datatype of date, but a date computed field always has a datatype of `DateTime`, not date. In PowerBuilder, use the `GetItemDateTime` method instead.

PowerBuilder only: using `GetItemDate` in a String function

When you call `GetItemDate` as an argument for the String function and do not specify a display format, the value is formatted as a `DateTime` value. This statement returns a string like "2/26/96 00:00:00":

```
String(dw_1.GetItemDate(1, "start_date"))
```

To get a simple date string, you can specify a display format:

```
String(dw_1.GetItemDate(1, "start_date"), "m/d/yy")
```

or you can assign the date to a date variable before calling the String function:

```
date ld_date
string ls_date
ld_date = dw_1.GetItemDate(1, "start_date")
ls_date = String(ld_date)
```

Examples

These statements set `hiredate` to the current Date data in the third row of the primary buffer in the column named `first_day` of `dw_employee`:

```
Date hiredate
hiredate = dw_employee.GetItemDate(3, "first_day")
```

These statements set `hiredate` to the current Date data in the third row of the filter buffer in the column named `first_day` of `dw_employee`:

```
Date hiredate
hiredate = dw_employee.GetItemDate(3, &
    "first_day", Filter!, false)
```

These statements set `hiredate` to original Date data in the third row of the primary buffer in the column named `hdate` of `dw_employee`:

```
Date hiredate
hiredate = dw_employee.GetItemDate(3, &
```

```
"hdate", Primary!, true)
```

See also[GetItemDateTime](#)[GetItemDecimal](#)[GetItemNumber](#)[GetItemString](#)[GetItemTime](#)[GetText](#)[SetItem](#)[SetText](#)

9.62 GetItemDateTime

Description

Gets data whose type is DateTime from the specified buffer of a DataWindow control or DataStore object. You can obtain the data that was originally retrieved and stored in the database from the original buffer, as well as the current value in the primary, delete, or filter buffers.

Applies to**Table 9.130:**

DataWindow type	Method applies to
PowerBuilder	DataWindow control, DataWindowChild object, DataStore object

Syntax**PowerBuilder**

```
DateTime dwcontrol.GetItemDateTime ( long row, string column
    {, DWBuffer dwbuffer, boolean originalvalue } )
DateTime dwcontrol.GetItemDateTime ( long row, integer column
    {, DWBuffer dwbuffer, boolean originalvalue } )
```

Table 9.131:

Argument	Description
dwcontrol	A reference to the DataWindow control, DataStore, or child DataWindow in which you want to obtain the DateTime data contained in a specific row and column.
row	A value identifying the row location of the data.
column	The column location of the data. The datatype of the column must be DateTime. Column can be a column number or a column name. The column number is the number of the column as it is listed in the Column Specification view of the DataWindow painter -- not necessarily the number of the column in the Design view.

Argument	Description
	To get the contents of a computed field, specify the name of the computed field for column. Computed fields do not have numbers.
dwbuffer (optional)	A value identifying the DataWindow buffer from which you want to get the data. For a list of valid values, see DWBuffer .
originalvalue (optional)	A boolean indicating whether you want the original or current values for row and column: <ul style="list-style-type: none"> • True -- Returns the original values, that is, the values initially retrieved from the database. • False -- (Default) Returns the current values. <p>If you specify dwbuffer, you must also specify originalvalue.</p>

Return value

Returns the DateTime or Timestamp value in the specified row and column. Returns null if the column value is null or if there is no DataWindow object assigned to the DataWindow control or DataStore. Returns 1900-01-01 00:00:00.000000 if any other error occurs.

If any argument value is null, in PowerBuilder the method returns null.

Usage

Use GetItemDateTime when you want to get information from the DataWindow's buffers. To find out what the user entered in the current column before that data is accepted, use GetText. In the ItemChanged or ItemError events, use the data argument.

To access a row in the original buffer, specify the buffer that the row currently occupies (primary, delete, or filter) and the number of the row in that buffer. When you specify true for originalvalue, the method gets the original data for that row from the original buffer.

Datatype mismatch

An execution error occurs when the datatype of the DataWindow column does not match the datatype of the method -- in this case, DateTime.

Computed fields displaying date or time values have a datatype of DateTime, not date or time. Always use GetItemDateTime to get their value, not GetItemDate or GetItemTime.

Examples

These statements set as_of to the current DateTime data in the primary buffer for row 3 of the column named start_dt in the DataWindow dw_emp:

```
DateTime as_of
as_of = dw_emp.GetItemDateTime(3, "start_dt")
```

These statements set as_of to the current DateTime data in the delete buffer for row 3 of the end_dt column of dw_emp:

```
DateTime as_of
```

```
as_of = dw_emp.GetItemDateTime(3, "end_dt", &
    Delete!, false)
```

These statements set AsOf to the original DateTime data in the primary buffer for row 3 of the end_dt column of dw_emp:

```
DateTime as_of
as_of = dw_emp.GetItemDateTime(3, "end_dt", &
    Primary!, true)
```

See also

[GetItemDate](#)

[GetItemDecimal](#)

[GetItemNumber](#)

[GetItemString](#)

[GetItemTime](#)

[SetItem](#)

9.63 GetItemDecimal

Description

Gets data whose type is decimal from the specified buffer of a DataWindow control or DataStore object. You can obtain the data that was originally retrieved and stored in the database from the original buffer, as well as the current value in the primary, delete, or filter buffers.

Applies to

Table 9.132:

DataWindow type	Method applies to
PowerBuilder	DataWindow control, DataWindowChild object, DataStore object

Syntax

PowerBuilder

```
decimal dwcontrol.GetItemDecimal ( long row, integer column
    {, DWBuffer dwbuffer, boolean originalvalue } )
decimal dwcontrol.GetItemDecimal ( long row, string column
    {, DWBuffer dwbuffer, boolean originalvalue } )
```

Table 9.133:

Argument	Description
dwcontrol	A reference to a DataWindow control or DataStore.
row	A value identifying the row location of the decimal data.
column	The column location of the data. The datatype of the column must be one of type decimal. Column can be a column number or a column name. The column number is the number of the column as it is listed in the Column

Argument	Description
	<p>Specification view of the DataWindow painter -- not necessarily the number of the column in the Design view.</p> <p>To get the contents of a computed field, specify the name of the computed field for column. Computed fields do not have numbers.</p>
dwbuffer (optional)	A value of the dwBuffer enumerated datatype identifying the DataWindow buffer from which you want to get the data. For a list of valid values, see DWBuffer .
originalvalue (optional)	<p>A boolean indicating whether you want the original or current values for row and column:</p> <ul style="list-style-type: none"> • True -- Returns the original values, that is, the values initially retrieved from the database. • False -- (Default) Returns the current values. <p>If you specify dwbuffer, you must also specify originalvalue.</p>

Return value

Returns the decimal value in the specified row and column. Returns null if the column value is null or if there is no DataWindow object assigned to the DataWindow control or DataStore. Triggers the SystemError event and returns -1 if any other error occurs (see [Handling errors](#)).

If any argument value is null, the method returns null.

Usage

Use GetItemDecimal when you want to get information from the DataWindow's buffers. To find out what the user entered in the current column before that data is accepted, use GetText. In the ItemChanged or ItemError events, use the data argument.

To access a row in the original buffer, specify the buffer that the row currently occupies (primary, delete, or filter) and the number of the row in that buffer. When you specify true for originalvalue, the method gets the original data for that row from the original buffer.

Handling errors

The return value is a valid value from the database unless the SystemError event is triggered. When the value cannot be converted because the column's datatype does not match the method's datatype, an execution error occurs, which triggers the SystemError event. The default error processing halts the application.

If you write a script for the SystemError event, it should also halt the application. Therefore, the error return value is seldom used.

Examples

These statements set salary_amt to the current decimal data in the primary buffer for row 4 of the column named emp_salary of dw_employee:

```
decimal salary_amt
salary_amt = &
    dw_employee.GetItemDecimal(4, "emp_salary")
```

These statements set salary_amt to the current decimal data in the filter buffer for row 4 of the column named emp_salary of dw_employee:

```
decimal salary_amt
salary_amt = dw_employee.GetItemDecimal(4, &
    "emp_salary", Filter!, false)
```

These statements set salary_amt to the original decimal data in the primary buffer for row 4 of the column named emp_salary of dw_employee:

```
decimal salary_amt
salary_amt = dw_employee.GetItemDecimal(4, &
    "emp_salary", Primary!, true)
```

See also

[GetItemDate](#)

[GetItemDateTime](#)

[GetItemNumber](#)

[GetItemString](#)

[GetItemTime](#)

[SetItem](#)

9.64 GetItemFormattedString

Description

Gets and formats data whose type is String from the specified buffer of a DataWindow control or DataStore object.

Applies to

Table 9.134:

DataWindow type	Method applies to
PowerBuilder	DataWindow control, DataWindowChild object, DataStore object

Syntax

PowerBuilder

```
string dwcontrol.GetItemFormattedString ( long row, integer column
    {, DWBuffer dwbuffer, boolean originalvalue } )
string dwcontrol.GetItemFormattedString ( long row, string column
    {, DWBuffer dwbuffer, boolean originalvalue } )
```

Table 9.135:

Argument	Description
dwcontrol	A reference to a DataWindow control, DataStore, or child DataWindow.
row	A value identifying the row location of the string data.
column	The column location of the data. The datatype of the column must be String. Column can be a column number or a column name. The column number is the number of the column as it is listed in the Column Specification view of

Argument	Description
	<p>the DataWindow painter -- not necessarily the number of the column in the Design view.</p> <p>To get the contents of a computed field, specify the name of the computed field for column. Computed fields do not have numbers.</p>
dwbuffer (optional)	A value of the dwBuffer enumerated datatype identifying the DataWindow buffer from which you want to get the data. For a list of valid values, see DWBuffer .
originalvalue (optional)	<p>A boolean indicating whether you want the original or current values for row and column:</p> <ul style="list-style-type: none"> • True -- Returns the original values (the values initially retrieved from the database). • False -- (Default) Returns the current values. <p>If you specify dwbuffer, you must also specify originalvalue.</p>

Usage

Use `GetItemFormattedString` in place of `GetItemString` when you want to return the value from a column in its current display format. This is especially useful if the column in question is not a computed column.

Examples

These statements set `LName` to the current string in the primary buffer for row 3 of in the column named `emp_name` in the DataWindow `dw_employee`. The retrieved value is formatted with the display format of the column:

```
String LName
LName = dw_employee.GetItemFormattedString(3, "emp_name")
```

See also

[GetItemString](#)

[GetItemUnformattedString](#)

9.65 GetItemNumber

Description

Gets numeric data from the specified buffer of a DataWindow control or DataStore object. You can obtain the data that was originally retrieved and stored in the database from the original buffer, as well as the current value in the primary, delete, or filter buffers.

Applies to

Table 9.136:

DataWindow type	Method applies to
PowerBuilder	DataWindow control, DataWindowChild object, DataStore object

Syntax

PowerBuilder

```
numeric dwcontrol.GetItemNumber ( long row, string column
    { , DWBuffer dwbuffer, boolean originalvalue } )
numeric dwcontrol.GetItemNumber ( long row, integer column
    { , DWBuffer dwbuffer, boolean originalvalue } )
```

Table 9.137:

Argument	Description
dwcontrol	A reference to a DataWindow control, DataStore, or child DataWindow.
row	A value identifying the row location of the numeric data.
column	<p>The column location of the numeric data. The datatype of the column must be one of a numeric datatype. Column can be a column number or a column name. The column number is the number of the column as it is listed in the Column Specification view of the DataWindow painter -- not necessarily the number of the column in the Design view.</p> <p>To get the contents of a computed field, specify the name of the computed field for column. Computed fields do not have numbers.</p>
dwbuffer (optional)	A value identifying the DataWindow buffer from which you want to get the data. For a list of valid values, see DWBuffer .
originalvalue (optional)	<p>A boolean indicating whether you want the original or current values for row and column:</p> <ul style="list-style-type: none"> • True -- Return the original values (the values initially retrieved from the database). • False -- (Default) Return the current values. <p>If you specify dwbuffer, you must also specify originalvalue.</p>

Return value

Returns the numeric value in the specified row and column (decimal, double, integer, long, or real). Returns null if the column value is null or if there is no DataWindow object assigned to the DataWindow control or DataStore. Triggers the SystemError event and returns -1 if any other error occurs (see [Handling errors](#)).

If any argument value is null, in PowerBuilder and JavaScript the method returns null.

Usage

Use GetItemNumber to get information from the DataWindow's buffers. To find out what the user entered in the current column before that data is accepted, use GetText. In the ItemChanged or ItemError events, use the data argument.

To access a row in the original buffer, specify the buffer that the row currently occupies (primary, delete, or filter) and the number of the row in that buffer. When you specify true for originalvalue, the method gets the original data for that row from the original buffer.

Handling errors

The return value is a valid value from the database unless the SystemError event is triggered. When the value cannot be converted because the column's datatype does not match the method's datatype, an execution error occurs, which triggers the SystemError event. The default error processing halts the application. If you write a script for the SystemError event, it should also halt the application. Therefore, the error return value is seldom used.

Examples

These statements set EmpNbr to the current numeric data in the primary buffer for row 4 of the column named emp_nbr in dw_employee:

```
integer EmpNbr
EmpNbr = dw_employee.GetItemNumber(4, "emp_nbr")
```

These statements set EmpNbr to the current numeric data in the filter buffer for row 4 of the column named salary of dw_employee:

```
integer EmpNbr
EmpNbr = dw_employee.GetItemNumber(4, &
    "salary", Filter!, false)
```

These statements set EmpNbr to the original numeric data in the primary buffer for row 4 of the column named salary of dw_Employee:

```
integer EmpNbr
EmpNbr = dw_Employee.GetItemNumber(4, &
    "salary", Primary!, true)
```

See also

[GetItemDate](#)

[GetItemDateTime](#)

[GetItemDecimal](#)

[GetItemString](#)

[GetItemTime](#)

[SetItem](#)

9.66 GetItemStatus

Description

Reports the modification status of a row or a column within a row. The modification status determines the type of SQL statement the Update method will generate for the row or column.

Applies to

Table 9.138:

DataWindow type	Method applies to
PowerBuilder	DataWindow control, DataWindowChild object, DataStore object

Syntax

PowerBuilder

```
DWItemStatus dwcontrol.GetItemStatus ( long row, integer column, DWBuffer
dwbuffer )
DWItemStatus dwcontrol.GetItemStatus ( long row, string column, DWBuffer dwbuffer )
```

Table 9.139:

Argument	Description
dwcontrol	A reference to a DataWindow control, DataStore, or child DataWindow.
row	A value identifying the row for which you want the status.
column	The column for which you want the status. Column can be a column number or a column name. The column number is the number of the column as it is listed in the Column Specification view of the DataWindow painter -- not necessarily the number of the column in the Design view. Specify 0 to get the status of the whole row.
dwbuffer	A value identifying the DataWindow buffer containing the row for which you want status. For a list of valid values, see DWBuffer .

Return value

A value of the dwItemStatus enumerated datatype. The return value identifies the status of the item at row, column of dwcontrol in dwbuffer. For a list of status values, see [DWItemStatus](#).

If column is 0, GetItemStatus returns the status of row. If there is no DataWindow object assigned to the DataWindow control or DataStore, GetItemStatus returns null.

If any argument value is null, in PowerBuilder and JavaScript the method returns null.

Usage

Use GetItemStatus to understand what SQL statements will be generated for new and changed information when you update the database.

For rows in the primary and filter buffers, Update generates an INSERT statement for rows with NewModified! status. It generates an UPDATE statement for rows with DataModified! status and references the columns that have been affected.

For rows in the delete buffer, Update does not generate a DELETE statement for rows whose status was New! or NewModified! before being moved to the delete buffer.

Examples

These statements store in the variable l_status the status of the column named emp_status in row 5 in the filter buffer of dw_1:

```
dwItemStatus l_status
l_status = dw_1.GetItemStatus(5, "emp_status", &
Filter!)
```

These statements store in the variable l_status the status of the column named Salary in the current row in the primary buffer of dw_emp:

```
dwItemStatus l_status
l_status = dw_emp.GetItemStatus( &
```

```
dw_emp.GetRow(), "Salary", Primary!)
```

See also

[SetItemStatus](#)

9.67 GetItemString**Description**

Gets data whose type is String from the specified buffer of a DataWindow control or DataStore object. You can obtain the data that was originally retrieved and stored in the database from the original buffer, as well as the current value in the primary, delete, or filter buffers.

Applies to**Table 9.140:**

DataWindow type	Method applies to
PowerBuilder	DataWindow control, DataWindowChild object, DataStore object

Syntax**PowerBuilder**

```
string dwcontrol.GetItemString ( long row, integer column
    {, DWBuffer dwbuffer, boolean originalvalue } )
string dwcontrol.GetItemString ( long row, string column
    {, DWBuffer dwbuffer, boolean originalvalue } )
```

Table 9.141:

Argument	Description
dwcontrol	A reference to a DataWindow control, DataStore, or child DataWindow.
row	A value identifying the row location of the string data.
column	The column location of the data. The datatype of the column must be String. Column can be a column number or a column name. The column number is the number of the column as it is listed in the Column Specification view of the DataWindow painter -- not necessarily the number of the column in the Design view. To get the contents of a computed field, specify the name of the computed field for column. Computed fields do not have numbers.
dwbuffer (optional)	A value of the dwBuffer enumerated datatype identifying the DataWindow buffer from which you want to get the data. For a list of valid values, see DWBuffer .
originalvalue (optional)	A boolean indicating whether you want the original or current values for row and column: <ul style="list-style-type: none"> • True -- Returns the original values (the values initially retrieved from the database).

Argument	Description
	<ul style="list-style-type: none"> False -- (Default) Returns the current values. <p>If you specify dwbuffer, you must also specify originalvalue.</p>

Return value

Returns the string value in the specified row and column. Returns the empty string (" ") if there is no DataWindow object assigned to the DataWindow control or DataStore or if any other error occurs.

If any argument value is null, in PowerBuilder the method returns null.

Usage

Use GetItemString to get information from the DataWindow's buffers. To find out what the user entered in the current column before that data is accepted, use GetText. In the ItemChanged or ItemError events, use the data argument.

To access a row in the original buffer, specify the buffer that the row currently occupies (primary, delete, or filter) and the number of the row in that buffer. When you specify true for originalvalue, the method gets the original data for that row from the original buffer.

GetItemString returns a formatted value in the case of a computed column, and an unformatted value in the case of a noncomputed column. For PowerBuilder DataWindows, you can use the GetItemFormattedString method to return a formatted value, or the GetItemUnformattedString method to return an unformatted value, for any type of column.

Mismatched datatypes

An execution error occurs when the datatype of the DataWindow column does not match the datatype of the method -- in this case, String.

Examples

These statements set LName to the current string in the primary buffer for row 3 of the column named emp_name in the DataWindow dw_employee:

```
String LName
LName = dw_employee.GetItemString(3, "emp_name")
```

These statements set LName to the current string in the delete buffer for row 3 of the column named emp_name of dw_employee:

```
String LName
LName = dw_employee.GetItemString(3, &
    "emp_name", Delete!, false)
```

The following statements set LName to the original string in the delete buffer for row 3 of the column named emp_name of dw_employee:

```
String LName
LName = dw_employee.GetItemString(3, &
    "emp_name", Delete!, true)
```

See also

[GetItemDate](#)

[GetItemDateTime](#)[GetItemDecimal](#)[GetItemFormattedString](#)[GetItemNumber](#)[GetItemTime](#)[GetItemUnformattedString](#)[GetText](#)[SetItem](#)[SetText](#)

9.68 GetItemTime

Description

Gets data whose type is Time from the specified buffer of a DataWindow control or DataStore object. You can obtain the data that was originally retrieved and stored in the database from the original buffer, as well as the current value in the primary, delete, or filter buffers.

Applies to

Table 9.142:

DataWindow type	Method applies to
PowerBuilder	DataWindow control, DataWindowChild object, DataStore object

Syntax

PowerBuilder

```
time dwcontrol.GetItemTime ( long row, string column
    { , DWBuffer dwbuffer, boolean originalvalue } )
time dwcontrol.GetItemTime ( long row, integer column
    { , DWBuffer dwbuffer, boolean originalvalue } )
```

Table 9.143:

Argument	Description
dwcontrol	A reference to a DataWindow control, DataStore, or child DataWindow.
row	A value identifying the row location of the data.
column	The column location of the data. The datatype of the column must be time. Column can be a column number or a column name. The column number is the number of the column as it is listed in the Column Specification view of the DataWindow painter -- not necessarily the number of the column in the Design view. To get the contents of a computed field, specify the name of the computed field for column. Computed fields do not have numbers.

Argument	Description
dwbuffer (optional)	A value of the dwBuffer enumerated datatype identifying the DataWindow buffer from which you want to get the data. For a list of valid values, see DWBuffer .
originalvalue (optional)	A boolean indicating whether you want the original or current values for row and column: <ul style="list-style-type: none"> • True -- Return the original values (the values initially retrieved from the database). • False -- (Default) Return the current values. <p>If you specify dwbuffer, you must also specify originalvalue.</p>

Return value

Returns the time value in the specified row and column. Returns null if the column value is null or if there is no DataWindow object assigned to the DataWindow control or DataStore. Returns 00:00:00.000000 if an error occurs.

If any argument value is null, in PowerBuilder the method returns null.

Usage

Use `GetItemTime` to get information from the DataWindow's buffers. To find out what the user entered in the current column before that data is accepted, use `GetText`. In the `ItemChanged` or `ItemError` events, use the data argument.

To access a row in the original buffer, specify the buffer that the row currently occupies (primary, delete, or filter) and the number of the row in that buffer. When you specify true for `originalvalue`, the method gets the original data for that row from the original buffer.

Datatypes of columns and computed fields

An execution error occurs when the datatype of the DataWindow column does not match the datatype of the method -- in this case, time.

There is a difference in datatypes between computed columns retrieved from the database and computed fields defined in the DataWindow painter. Computed columns from the database can have a datatype of time, but a time computed field always has a datatype of `DateTime`, not time. Use the `GetItemDateTime` method instead.

PowerBuilder only: using `GetItemTime` in a String function

When you call `GetItemTime` as an argument for the String function and do not specify a display format, the value is formatted as a `DateTime` value. This statement returns a string like "2/26/06 00:00:00":

```
String(dw_1.GetItemTime(1, "start_date"))
```

To get a simple time string, you can specify a display format for the String function or you can assign the value to a time variable before calling the String function (see [GetItemDate](#) for examples).

Examples

These statements set Start to the current Time data in the primary buffer for row 3 of the column named title in dw_employee:

```
Time Start
Start = dw_employee.GetItemTime(3, "title")
```

These statements set Start to the current Time data in the filter buffer for row 3 of the column named start_time of dw_employee:

```
Time Start
Start = dw_employee.GetItemTime(3, &
    "start_time", Filter!, false)
```

These statements set Start to the original Time data in the primary buffer for row 3 of the column named start_time of dw_employee:

```
Time Start
Start = dw_employee.GetItemTime(3, &
    "start_time", Primary!, true)
```

See also

[GetItemDate](#)

[GetItemDateTime](#)

[GetItemDecimal](#)

[GetItemNumber](#)

[GetItemString](#)

[GetText](#)

[SetItem](#)

[SetText](#)

9.69 GetItemUnformattedString

Description

Gets raw (unformatted) data whose type is String from the specified buffer of a DataWindow control or DataStore object.

Applies to

Table 9.144:

DataWindow type	Method applies to
PowerBuilder	DataWindow control, DataWindowChild object, DataStore object

Syntax

PowerBuilder

```
string dwcontrol.GetItemUnformattedString ( long row,
    integer column {, DWBuffer dwbuffer, boolean originalvalue } )
string dwcontrol.GetItemUnformattedString ( long row, string column
    {, DWBuffer dwbuffer, boolean originalvalue } )
```

Table 9.145:

Argument	Description
dwcontrol	A reference to a DataWindow control, DataStore, or child DataWindow.
row	A value identifying the row location of the string data.
column	The column location of the data. The datatype of the column must be String. Column can be a column number or a column name. The column number is the number of the column as it is listed in the Column Specification view of the DataWindow painter -- not necessarily the number of the column in the Design view. To get the contents of a computed field, specify the name of the computed field for column. Computed fields do not have numbers.
dwbuffer (optional)	A value of the dwBuffer enumerated datatype identifying the DataWindow buffer from which you want to get the data. For a list of valid values, see DWBuffer .
originalvalue (optional)	A boolean indicating whether you want the original or current values for row and column: <ul style="list-style-type: none"> • True -- Returns the original values (the values initially retrieved from the database). • False -- (Default) Returns the current values. If you specify dwbuffer, you must also specify originalvalue.

Usage

Use `GetItemUnformattedString` in place of `GetItemString` when you want to return the value from a column without its display format. This is especially useful if the column in question is a computed column.

Examples

These statements set `LName` to the current string in the primary buffer for row 3 of in the column named `emp_name` in the DataWindow `dw_employee`. The retrieved value is unformatted:

```
String LName
LName = dw_employee.GetItemUnformattedString(3, "emp_name")
```

See also

[GetItemFormattedString](#)

[GetItemString](#)

9.70 GetLastError (obsolete)

Description

Returns the error code of the last database error that occurred in the Web DataWindow server component.

Obsolete method

GetLastError is obsolete and should not be used, because the Web DataWindow technology is obsolete.

Applies to**Table 9.146:**

DataWindow type	Method applies to
Web	Server component

Syntax**Web DataWindow server component**

```
long dwcontrol.GetLastError ( )
```

Table 9.147:

Argument	Description
dwcontrol	A reference to the DataWindow server component

Return value

Returns a numeric error code for the last database error that occurred.

If dwcontrol is null, the method returns null.

Usage

Call GetLastError and GetLastErrorString to get information about database errors that caused SetAction, Update, Retrieve, and RetrieveEx to return -1.

Examples

This code in a page server script calls Retrieve for the Web DataWindow server component called dwComponent and gets information about the database error if Retrieve fails:

```
retVal = dwComponent.Retrieve( );
if (retVal < 0) {
    Response.Write("Retrieval error: "
        + dwComponent.GetLastError( )
        + "<BR>"
        + dwComponent.GetLastErrorString( )
        + "<BR>");
}
```

See also

[GetLastErrorString](#)

[Retrieve](#)

[Update](#)

9.71 GetLastErrorString (obsolete)**Description**

Returns the text of the error message for the last database error that occurred in the Web DataWindow server component.

Obsolete method

GetLastErrorString is obsolete and should not be used, because the Web DataWindow technology is obsolete.

Applies to

Table 9.148:

DataWindow type	Method applies to
Web	Server component

Syntax

Web DataWindow server component

```
string dwcontrol.GetLastErrorString ( )
```

Table 9.149:

Argument	Description
dwcontrol	A reference to the DataWindow server component

Return value

Returns a string containing an error message for the last database error that occurred.

If dwcontrol is null, the method returns null.

Usage

Call GetLastError and GetLastErrorString to get information about database errors that caused SetAction, Update, Retrieve, and RetrieveEx to return -1.

Examples

This code in a page server script calls Retrieve for the Web DataWindow server component called dwComponent and gets information about the database error if Retrieve fails:

```
retVal = dwComponent.Retrieve( );
if (retVal < 0) {
    Response.Write("Retrieval error: "
        + dwComponent.GetLastError( )
        + "<BR>"
        + dwComponent.GetLastErrorString( )
        + "<BR>");
}
```

See also

[GetLastError](#)

[Retrieve](#)

[Update](#)

9.72 GetMessageText (obsolete)

Description

Obtains the message text generated by a crosstab DataWindow object in a DataWindow control. Only crosstab DataWindows generate messages.

Obsolete method

GetMessageText is obsolete and will be discontinued in a future release. You should replace all use of GetMessageText as soon as possible. The message text is available as an argument in a user event defined for pbm_dwnmessagetext in a DataWindow control.

Applies to

Table 9.150:

DataWindow type	Method applies to
PowerBuilder	DataWindow control

Syntax

PowerBuilder

```
string dwcontrol.GetMessageText ( )
```

Table 9.151:

Argument	Description
dwcontrol	A reference to the DataWindow control for which you want the message text

Return value

Returns the text of the message generated by dwcontrol. If there is no text or an error occurs, GetMessageText returns the empty string ("").

If dwcontrol is null, the method returns null.

Usage

To use GetMessageText, you must first define a user-defined event for the event ID pbm_dwnmessagetext; then you call this method in the script for that event.

Typical messages are Retrieving data and Building crosstab.

Examples

This statement is part of a script for a user-defined event with the ID pbm_dwnmessagetext. The style of the DataWindow object in the DataWindow control is crosstab. The statement sets the MicroHelp of the MDI frame window w_crosstab:

```
w_crosstab.SetMicroHelp(This.GetMessageText ( )
```

9.73 GetNextModified

Description

Reports the next row that has been modified in the specified buffer.

Applies to

Table 9.152:

DataWindow type	Method applies to
PowerBuilder	DataWindow control, DataWindowChild object, DataStore object

Syntax

PowerBuilder

```
long dwcontrol.GetNextModified (long row, DWBuffer dwbuffer )
```

Table 9.153:

Argument	Description
dwcontrol	A name of the DataWindow control, DataStore, or child DataWindow in which you want to locate the modified row.
row	A value identifying the row location after which you want to locate the modified row. To search from the beginning, specify 0.
dwbuffer	A value of the dwBuffer enumerated datatype identifying the DataWindow buffer in which you want to locate the modified row. For a list of valid values, see DWBuffer .

Return value

Returns the number of the first row that was modified after row in dwbuffer in dwcontrol. Returns 0 if there are no modified rows after the specified row.

If any argument value is null, in PowerBuilder and JavaScript the method returns null.

Usage

PowerBuilder stores the update status of rows and columns in the DataWindow. The status settings indicate whether a row or column is new or has been modified. GetNextModified reports rows with the status NewModified! and DataModified!.

For more information on the status of rows and columns, see [GetItemStatus](#) and [SetItemStatus](#).

Using GetNextModified on the delete buffer will return rows that have been modified and then deleted. The DeletedCount method will report the total number of deleted rows.

GetNextModified begins searching in the row after the value you specify in row. This is different from the behavior of Find, FindGroupChange, and FindRequired, which begin searching in the row you specify.

Total number of modified rows

You can use the [ModifiedCount](#) method to find out the total number of modified rows in the primary and filter buffers.

Examples

These statements count the number of rows that were modified in the primary buffer for dw_status and then display a message reporting the number modified:

```
integer rc
long NbrRows, ll_row = 0, count = 0

dw_status.AcceptText()
NbrRows = dw_status.RowCount()
DO WHILE ll_row <= NbrRows
    ll_row = dw_status.GetNextModified(ll_row, Primary!)
    IF ll_row > 0 THEN
        count = count + 1
    ELSE
        ll_row = NbrRows + 1
    END IF
LOOP
MessageBox("Modified Count", &
    String(count) &
    + " rows were modified.")
```

See also

[DeletedCount](#)

[FindRequired](#)

[GetNextModified](#)

[ModifiedCount](#)

[SetItemStatus](#)

9.74 GetObjectAtPointer

Description

Reports the control within the DataWindow object and row number under the pointer. Controls include columns, labels, and other graphic controls, such as lines and pictures.

Applies to

Table 9.154:

DataWindow type	Method applies to
PowerBuilder	DataWindow control

Syntax

PowerBuilder

```
string dwcontrol.GetObjectAtPointer ( )
```

Table 9.155:

Argument	Description
dwcontrol	A reference to a DataWindow control

Return value

Returns the string whose value is the name of the control under the pointer, followed by a tab character and the row number. Returns the empty string ("") if an error occurs.

If `dwcontrol` is null, in PowerBuilder and JavaScript the method returns null.

Usage

If the object doesn't have a name, neither a name nor a row is reported. Since PowerBuilder 7, the painter gives names to all controls. In earlier versions, only columns and column labels got default names in the DataWindow painter and you could name other controls yourself.

You can parse the return value by searching for the tab character (ASCII 09). In PowerBuilder, search for `~t`. For an example that parses a string that includes a tab, see [GetValue](#).

For information on the rows associated with bands and therefore with controls in those bands, see [GetBandAtPointer](#).

Examples

These statements obtain the name of the control under the pointer in the DataWindow `dw_emp`:

```
String dwobjectname
dwobjectname = dw_emp.GetObjectAtPointer()
```

Some possible return values are:

Table 9.156: Example return values for the `GetObjectAtPointer` method

Return value	Meaning
salary~t23	The control named salary in row 23.
salary_h~t15	The control named salary_h, which is in the header. Row 15 is the first visible row below the header.

See also

[GetBandAtPointer](#)

9.75 GetParent

Description

Obtains the parent of the specified object.

Applies to

Table 9.157:

DataWindow type	Method applies to
PowerBuilder	DataWindow control, DataWindowChild object, DataStore object

Syntax

PowerBuilder

```
PowerObject objectname.GetParent ( )
```

Table 9.158:

Argument	Description
objectname	A control in a window or user object or an item on a menu for which you want the parent object

Return value

Returns a reference to the parent of objectname.

Usage

Inherited from PowerObject. For information, see Section 2.4.309, “GetParent” in *PowerScript Reference*.

9.76 GetRichTextAlign**Description**

Gets the current alignment setting for editing columns with the RichText edit style.

Applies to

DataWindow control

Syntax

```
Integer dwcontrol.GetRichTextAlign ( REF alignment align )
```

Table 9.159:

Argument	Description
dwcontrol	A reference to the DataWindow control
align	Current alignment setting of the selected text

Return value

Returns an integer to indicate whether the column that you selected has the RichText edit style and whether the content has one or more alignment types applied.

0 -- Success

-1 -- No RichText column is being edited

-2 -- The selected text is a mix of alignment types

Usage

You can call this method from a button in a custom toolbar that you use to obtain current font settings for columns with the RichText edit style.

Examples

This example obtains the current alignment setting to be used for editing columns with the RichText edit style:

```
Integer li_integer
Alignment l_align
li_integer = dw_1.GetRichTextAlign(l_align)
```

See also[GetRichTextColor](#)[GetRichTextFaceName](#)[GetRichTextSize](#)[GetRichTextStyle](#)[SetRichTextAlign](#)

9.77 GetRichTextColor

Description

Gets the current color setting for editing columns with the RichText edit style.

Applies to

DataWindow control

Syntax

```
Integer dwcontrol.GetRichTextColor ( REF long color )
```

Table 9.160:

Argument	Description
dwcontrol	A reference to the DataWindow control
color	A long used to define the color

Return value

Returns an integer to indicate whether the column that you selected has the RichText edit style and whether the content has one or more colors applied.

0 -- Success

-1 -- No RichText column is being edited

-2 -- The selected text is a mix of colors

Usage

If the color for columns with the RichText edit style is white, background transparency and gradient and text transparency will not work properly.

You can call this method from a button in a custom toolbar that you use to obtain current font settings for columns with the RichText edit style.

Examples

This example obtains the current color setting of the font to be used for editing columns with a RichText edit style:

```
Integer li_integer
Long l_long
li_integer = dw_1.GetRichTextColor(l_long)
```

See also

[GetRichTextAlign](#)[GetRichTextFaceName](#)[GetRichTextSize](#)[GetRichTextStyle](#)[SetRichTextColor](#)

9.78 GetRichTextFaceName

Description

Gets the current typeface setting for editing columns with the RichText edit style.

Applies to

DataWindow control

Syntax

```
Integer dwcontrol.GetRichTextFaceName ( REF string typeface )
```

Table 9.161:

Argument	Description
dwcontrol	A reference to the DataWindow control
typeface	A string used to define the type

Return value

Returns an integer to indicate whether the column that you selected has the RichText edit style and whether the content has one or more fonts applied.

0 -- Success

-1 -- No RichText column is being edited

-2 -- The selected text is a mix of fonts

Usage

You can call this method from a button in a custom toolbar that you use to obtain current font settings for columns with the RichText edit style.

Examples

This example obtains the typeface of the font to be used for editing columns with a RichText edit style:

```
Integer li_integer
String ls_string
li_integer = dw_1.GetRichTextFaceName(ls_string)
```

If Tahoma font is selected when the above script is called, ls_string is Tahoma and the method returns 0. If a mix of fonts is selected, ls_string is blank and the method returns -2.

See also

[GetRichTextAlign](#)[GetRichTextColor](#)

[GetRichTextSize](#)[GetRichTextStyle](#)[SetRichTextFaceName](#)

9.79 GetRichTextSize

Description

Gets the current font size setting for editing columns with the RichText edit style.

Applies to

DataWindow control

Syntax

```
Integer dwcontrol.GetRichTextSize ( REF integer size )
```

Table 9.162:

Argument	Description
dwcontrol	A reference to the DataWindow control
size	Value indicating the point size of the font; if the selected text is a mix of sizes, the value is 0

Return value

Returns an integer to indicate whether the column that you selected has the RichText edit style and whether the content has one or more sizes applied.

0 -- Success

-1 -- No RichText column is being edited

-2 -- The selected text is a mix of sizes

Usage

You can call this method from a button in a custom toolbar that you use to obtain current font settings for columns with the RichText edit style.

Examples

This example obtains the current size setting of the font to be used for editing columns with a RichText edit style:

```
Integer li_integer
Integer li_textsize
li_integer = dw_1.GetRichTextSize(li_textsize)
```

If 10 point text is selected when the above script is called, li_textsize is 10 and the method returns 0. If a mix of sizes is selected, li_textsize is 0 and the method returns -2.

See also

[GetRichTextAlign](#)[GetRichTextColor](#)

[GetRichTextFaceName](#)[GetRichTextStyle](#)[SetRichTextSize](#)

9.80 GetRichTextStyle

Description

Determines whether selected text or text at the cursor in a RichText column has a specified formatting.

Applies to

DataWindow control

Syntax

```
Integer dwcontrol.GetRichTextStyle ( TextStyle style, REF boolean state )
```

Table 9.163:

Argument	Description
dwcontrol	A reference to the DataWindow control
style	Value for specifying a text style. Allowable values are: bold! italic! strikeout! subscript! superscript! underlined!
state	Indicates whether the selected text or text at the cursor position has a style applied to it

Return value

Returns an integer to indicate whether the column that you selected has the RichText edit style and whether the content has one or more styles applied.

0 -- Success

-1 -- No RichText column is being edited

-2 -- The selected text is a mix of styles

Usage

You can call this method from a button in a custom toolbar that you use to obtain the current font settings for columns with the RichText edit style.

Examples

This example determines whether a bold font is the current style setting for editing columns with a RichText edit style.

```
Integer li_style
```

```
Boolean lb_state
li_style = dw_1.GetRichTextStyle(bold!, lb_state)
```

If bold text is selected when the above script is called, the `lb_state` argument is true, and the method returns 0. If mixed text is selected, such as bold and italic, `lb_state` is true, and the method returns -2.

See also

[GetRichTextAlign](#)

[GetRichTextColor](#)

[GetRichTextFaceName](#)

[GetRichTextSize](#)

[SetRichTextStyle](#)

9.81 GetRow

Description

Reports the number of the current row in a DataWindow control or DataStore object.

Applies to

Table 9.164:

DataWindow type	Method applies to
PowerBuilder	DataWindow control, DataWindowChild object, DataStore object

Syntax

PowerBuilder

```
long dwcontrol.GetRow ( )
```

Table 9.165:

Argument	Description
dwcontrol	A reference to a DataWindow control, DataStore, or the child DataWindow

Return value

Returns the number of the current row in `dwcontrol`. Returns 0 if no row is current and -1 if an error occurs.

If `dwcontrol` is null, in PowerBuilder and JavaScript the method returns null.

Current row not always displayed

The current row is not always a row displayed on the screen. For example, if the cursor is on row 7 column 2 and the user uses the scroll bar to scroll to row 50, the current row remains row 7 unless the user clicks row 50.

Examples

This statement returns the number of the current row in dw_Employee:

```
dw_employee.GetRow( )
```

See also

[GetColumn](#)

[SetColumn](#)

[SetRow](#)

9.82 GetRowFromRowId

Description

Gets the row number of a row in a DataWindow control or DataStore object from the unique row identifier associated with that row.

Applies to

Table 9.166:

DataWindow type	Method applies to
PowerBuilder	DataWindow control, DataWindowChild object, DataStore object

Syntax

PowerBuilder

```
long dwcontrol.GetRowFromRowId (long rowid {, DWBuffer buffer } )
```

Table 9.167:

Argument	Description
dwcontrol	A reference to a DataWindow control, DataStore, or child DataWindow.
rowid	A number specifying the row identifier for which you want the associated row number.
buffer (optional)	A value of the dwBuffer enumerated datatype identifying the DataWindow buffer that contains the row. For a list of valid values, see DWBuffer .

Return value

Returns the row number in buffer. Returns 0 if the row number is not in the current buffer and -1 if an error occurs.

If any argument value is null, in PowerBuilder and JavaScript the method returns null.

Usage

This method allows you to use a unique row identifier to retrieve the associated DataWindow or DataStore row number. The row identifier is not affected by operations (such as Insert, Delete, or Filter) that might change the original order (and consequently the row numbers) of the rows in the DataWindow or DataStore.

Row identifiers

The row identifier is relative to the DataWindow that currently owns the row.

Examples

This example uses the row identifier previously obtained using the `GetRowIdFromRow` method to retrieve the row's number after the original order of the rows in the DataWindow has changed.

```
long ll_rowid
long ll_rownumber

ll_rowid = dw_1.GetRowIdFromRow(dw_1.GetRow())
// suppose original order of rows changes...
ll_rownumber = dw_1.GetRowFromRowId(ll_rowid)
```

See also

[GetRow](#)

[GetRowIdFromRow](#)

9.83 GetRowIdFromRow

Description

Gets the unique row identifier of a row in a DataWindow control or DataStore object from the row number associated with that row.

Applies to

Table 9.168:

DataWindow type	Method applies to
PowerBuilder	DataWindow control, DataWindowChild object, DataStore object

Syntax

PowerBuilder

```
long dwcontrol.GetRowIdFromRow (long rownumber { , DWBuffer buffer } )
```

Table 9.169:

Argument	Description
dwcontrol	A reference to a DataWindow control, DataStore, or the child DataWindow.
rownumber	A number specifying the row number for which you want the associated row identifier.
buffer (optional)	A value of the <code>dwBuffer</code> enumerated datatype identifying the DataWindow buffer that contains the row. For a list of valid values, see DWBuffer .

Return value

Returns the row identifier in buffer. Returns 0 if the row identifier is not in the current buffer and -1 if an error occurs.

If any argument value is null, in PowerBuilder and JavaScript the method returns null.

Usage

The row identifier value is not the same as the row number value used in many DataWindow and DataStore function calls and should not be used for the row number value. Instead you should first convert the unique row identifier into a row number by calling GetRowFromRowId.

Row identifiers

The row identifier is relative to the DataWindow that currently owns the row.

Examples

This example retrieves the current row's unique identifier:

```
long ll_rowid
ll_rowid = dw_emp.GetRowIDFromRow(dw_emp.GetRow())
```

See also

[GetRow](#)

[GetRowFromRowId](#)

9.84 GetSelectedRow

Description

Reports the number of the next highlighted row after a specified row in a DataWindow control or DataStore object.

Applies to

Table 9.170:

DataWindow type	Method applies to
PowerBuilder	DataWindow control, DataWindowChild object, DataStore object

Syntax

PowerBuilder

```
long dwcontrol.GetSelectedRow ( long row )
```

Table 9.171:

Argument	Description
dwcontrol	A reference to a DataWindow control, DataStore, or child DataWindow.
row	A value identifying the location of the row after which you want to search for the next

Argument	Description
	selected row. Specify 0 to begin searching at the first row.

Return value

Returns the number of the first row that is selected after row in dwcontrol. Returns 0 if no row is selected after the specified row.

If any argument value is null, in PowerBuilder and JavaScript the method returns null.

Usage

Rows are not automatically selected -- that is, highlighted -- when they become current. You can select a row by calling the SelectRow method.

GetSelectedRow begins its search after the specified row. It does not matter whether row itself is selected.

Examples

This statement returns the number of the first row that is selected in dw_Employee:

```
dw_employee.GetSelectedRow(0)
```

This statement returns the number of the first row that is selected beginning with row 25 in dw_Employee:

```
dw_employee.GetSelectedRow(25)
```

See also

[SelectRow](#)

9.85 GetSQLPreview (obsolete)

Description

Reports the SQL statement that the DataWindow control is currently submitting to the database.

Obsolete method

GetSQLPreview is obsolete and will be discontinued in a future release. You should replace all references to GetSQLPreview as soon as possible. The SQL syntax is available as an argument in the DBError and SQLPreview events.

Applies to

Table 9.172:

DataWindow type	Method applies to
PowerBuilder	DataWindow control, DataWindowChild object, DataStore object

Syntax

PowerBuilder

```
string dwcontrol.GetSQLPreview ( )
```

Table 9.173:

Argument	Description
dwcontrol	A reference to a DataWindow control or child DataWindow

Return value

Returns the current SQL statement for dwcontrol. Returns the empty string ("") if an error occurs.

If dwcontrol is null, the method returns null.

See also

[SetSQLPreview](#)

9.86 GetSQLSelect**Description**

Reports the SQL SELECT statement associated with a DataWindow if its data source is one that accesses a SQL database (such as SQL Select, Quick Select, or Query).

Applies to**Table 9.174:**

DataWindow type	Method applies to
PowerBuilder	DataWindow control, DataWindowChild object, DataStore object

Syntax**PowerBuilder**

```
string dwcontrol.GetSQLSelect ( )
```

Table 9.175:

Argument	Description
dwcontrol	A reference to a DataWindow control, DataStore, or child DataWindow

Return value

Returns the current SQL SELECT statement for dwcontrol. GetSQLSelect returns the empty string ("") if it cannot return the statement.

If dwcontrol is null, the method returns null.

Usage

When you want to change the SQL SELECT statement for a DataWindow or DataStore at runtime, you can use GetSQLSelect to save the current SELECT statement before making the change.

When you define a DataWindow, PowerBuilder stores a PowerBuilder SELECT statement (PBSELECT) with the DataWindow. If a database is connected and SetTransObject has been called for the DataWindow, then GetSQLSelect returns the SQL SELECT statement. Otherwise, GetSQLSelect returns the PBSELECT statement.

You can also use Describe to obtain the SQL SELECT statement. The DataWindow object's Table.Select property holds the information.

Examples

The code saves the SELECT statement for dw_emp in the variable old_select. Then it adds a WHERE clause. The example assumes the old SELECT statement did not have one already:

```
string old_select, new_select, where_clause
// Get old SELECT statement
old_select = dw_emp.GetSQLSelect()

// Specify new WHERE clause
where_clause = "WHERE ..."
// Add the new where clause to old_select
new_select = old_select + where_clause

// Set the SELECT statement for the DW
dw_emp.SetSQLSelect(new_select)
```

See also

[SetSQLSelect](#)

9.87 GetStateStatus (obsolete)

Description

Retrieves the current status of the internal state flags for a DataWindow and places this information in a blob.

This method is used primarily in distributed applications.

Obsolete method

GetStateStatus is obsolete and will be discontinued in a future release. You should remove all use of GetStateStatus as soon as possible. This method was originally added to PowerScript to allow you to synchronize a source DataWindow with multiple target DataWindows. This technique is no longer supported.

Applies to

Table 9.176:

DataWindow type	Method applies to
PowerBuilder	DataWindow control, DataStore object

Syntax

PowerBuilder

```
long dwcontrol.GetStateStatus ( blob cookie )
```

Table 9.177:

Argument	Description
dwcontrol	A reference to the DataWindow control or DataStore for which you want to get state status
cookie	A variable in which you want to store a cookie that contains state information for the DataWindow

Return value

Returns 1 if it succeeds and -1 if it fails.

If any argument value is null, in PowerBuilder and JavaScript the method returns null.

Usage

In situations where a single DataStore on a server acts as the source for multiple target DataWindows (or DataStores) on different clients, you can use GetChanges in conjunction with GetStateStatus to determine the likely success of SetChanges. This allows you to avoid shipping a change blob across the wire when SetChanges will fail anyway (because changes in the blob conflict with changes made previously by another client).

To determine the likely success of SetChanges, you need to:

1. Call the GetStateStatus method on the DataStore on which you want to do a SetChanges. GetStateStatus checks the state of the DataStore and makes the state information available in a reference argument called a cookie. The cookie is generally much smaller than a DataWindow change blob.
2. Send the cookie back to the client.
3. Call the GetChanges method on the DataWindow that contains the changes you want to apply, passing the cookie retrieved from GetStateStatus as a parameter. The return value from GetChanges indicates whether there are currently any potential conflicts between the state of the DataWindow blob and the state of the DataStore on which you want to execute SetChanges.

If the return value from GetChanges indicates that there are potential conflicts, you can then be certain that a subsequent call to SetChanges will fail if the FailOnAnyConflict! argument is specified. On the other hand, if the return value from GetChanges indicates no conflicts, the call to SetChanges may still fail, because the state of the Datastore may have changed since you called GetStateStatus and GetChanges.

For example, if another client session has called SetChanges or some other processing has been executed that altered the state of the DataStore since you retrieved the cookie, then SetChanges will fail.

Examples

The following example is a script for a remote object function. The script uses `GetStateStatus` to capture the state of a `DataStore` on the server into a cookie. Once the cookie has been created, it is returned to the client:

```
blob lblb_cookie
long ll_rv
ll_rv = ids_datastore.GetStateStatus(lblb_cookie)
return lblb_cookie
```

See also

[GetChanges](#)

[GetFullState](#)

[SetChanges](#)

[SetFullState](#)

9.88 GetText

Description

Obtains the value in the edit control over the current row and column. When the user changes a value in a `DataWindow`, it is available in the edit control before it is accepted into the column.

Applies to

Table 9.178:

DataWindow type	Method applies to
PowerBuilder	DataWindow control, DataWindowChild object, DataStore object

Syntax

PowerBuilder

```
string dwcontrol.GetText ( )
```

Table 9.179:

Argument	Description
dwcontrol	A reference to a <code>DataWindow</code> control, <code>DataStore</code> , or child <code>DataWindow</code>

Return value

Returns the value in the edit control over the current row and column in `dwcontrol`. The value might or might not have been accepted into the row and column. Returns the empty string ("") if no column is currently selected in `dwcontrol`.

If `dwcontrol` is null, in PowerBuilder and JavaScript the method returns null.

Usage

The values in the rows and columns of a `DataWindow` are items in the `DataWindow`'s buffer. When a user edits a value in a row and column, the item value is transferred as text to an edit

control in which the user can change the value. When the user leaves the column or when a script calls `AcceptText`, the text in the edit control is accepted into the column and becomes the value of the item in the buffer.

You do not need to call `GetText` in the script for the `ItemChanged` or `ItemError` event. To check the value entered in the edit control over the current row and column before allowing it to be accepted into the column, use the `data` argument.

To obtain the value stored in the DataWindow's buffer for the row and column, use the `GetItem` method that corresponds with the datatype of the column.

Examples

This statement returns the text held in the edit control for the currently selected cell in `dwEmp` to the string variable `selectedCell`. The text might be a name or address for a column with the `Edit` edit style, `Y` or `N` for a column with the `CheckBox` edit style, or `A`, `T`, or `L` for a column with the `RadioButtons` edit style that represents the employment status:

```
string selectedCell
selectedCell = dwEmp.GetText()
```

See also

[SetText](#)

9.89 GetTrans

Description

Gets the values for the DataWindow control or DataStore object's internal transaction object and stores these values in the programmer-specified transaction object.

Applies to

Table 9.180:

DataWindow type	Method applies to
PowerBuilder	DataWindow control, DataWindowChild object, DataStore object

Syntax

PowerBuilder

```
integer dwcontrol.GetTrans ( transaction transaction )
```

Table 9.181:

Argument	Description
<code>dwcontrol</code>	A reference to a DataWindow control, DataStore, or child DataWindow
<code>transaction</code>	The name of the transaction object into which you want to put the values

Return value

Returns 1 if it succeeds and -1 if an error occurs. The return value is usually not used.

If any argument value is null, the method returns null.

Usage

The `SetTrans` method (not the `SetTransObject` method) sets the internal transaction object. If you have not called `SetTrans`, `GetTrans` will fail.

Use `GetTrans` when you want to get the values for the transaction object in order to modify them, as shown in the last example.

If you are using `SetTransObject`, which specifies transaction information using a programmer-specified transaction object, `GetTrans` will not report information about the programmer-specified transaction object currently in effect. (`SetTransObject` is the recommended connection method because it gives better application performance. See [SetTrans](#) and [SetTransObject](#) for more information.)

Examples

This example puts the values in the internal transaction object for `dw_employee` into the programmer-specified transaction object named `object1`:

```
transaction object1
object1 = CREATE transaction
dw_employee.GetTrans(object1)
```

The following statement puts the values in the internal transaction object for `dw_employee` into the default transaction object (`SQLCA`):

```
dw_employee.GetTrans(SQLCA)
```

The following statements change the database type and password of `dw_employee`. The first two statements create the transaction object `emp_TransObj`. The next two statements use the `SetTrans` method to set the values of `SQLCA`, and then use the `GetTrans` method to store the values of the current transaction object for `dw_employee` in `emp_TransObj`. The last two statements change the database type and password, and then the `SetTrans` method puts the revised values in the transaction object for `dw_employee`:

```
// Name the transaction object.
transaction emp_TransObj

// Create the transaction object.
emp_TransObj = CREATE transaction

// Set the internal transaction object.
dw_employee.SetTrans(SQLCA)

// Fill the new transaction object with original
// values from SQLCA.
dw_employee.GetTrans(emp_TransObj)

// Put revised values into the new transaction
// object.
// Change the database type.
emp_TransObj.DBMS = "Sybase"

// Change the password.
emp_TransObj.LogPass = "cam2"

// Associate the new transaction object with
// dw_employee, replacing SQLCA.
dw_employee.SetTrans(emp_TransObj)
```

See also[SetTrans](#)**9.90 GetUpdateStatus (obsolete)****Description**

Reports the row number and buffer of the row that is currently being updated in the database. When called because of an error, GetUpdateStatus reports the row that caused the error.

Obsolete method

GetUpdateStatus is obsolete and will be discontinued in a future release. You should replace all references to GetUpdateStatus as soon as possible. The update status is available as an argument in the DBError and SQLPreview events.

Applies to**Table 9.182:**

DataWindow type	Method applies to
PowerBuilder	DataWindow control, DataWindowChild object

Syntax**PowerBuilder**

```
integer dwcontrol.GetUpdateStatus (long row, DWBuffer dwbuffer )
```

Table 9.183:

Argument	Description
dwcontrol	A reference to a DataWindow control or child DataWindow.
row	A variable that will store the number of the row that will be updated or for which an update was attempted.
dwbuffer	A value of the dwBuffer enumerated datatype identifying the DataWindow buffer that contains the row being updated. For a list of valid values, see DWBuffer .

Return value

Returns 1 if it succeeds and -1 if an error occurs. The number and buffer of the row currently being updated are stored in row and dwbuffer.

If any argument value is null, the method returns null.

Examples

These statements in the script for the DBError event for a DataWindow control obtain the text of the error message, display a message box with the number of the row in which the error occurred and the error message, and then make the row with the error the current row.

Additional code in the IF statement considers the case of the bad row being in the filter or delete buffer. If the row is in the filter buffer, the script changes the filter so that the user can

edit the row in the primary buffer. If the row is in the delete buffer, the message box displays a slightly different title:

```

long row_number, row_key
dwBuffer buffer_type
string message_text, message_title, old_filter

// Get the error message text and set the title
message_text = DBErrorMessage()
message_title = "Database Error Updating Row"

// Get the row in which the error occurred
This.GetUpdateStatus(row_number, buffer_type)

IF buffer_type = Filter! THEN
    old_filter = This.Describe("DataWindow.Filter")
    row_key = This.GetItemNumber(row_number, &
        "emp_id", Filter!, false)

    This.SetFilter("(" + old_filter + ") + &
        "OR emp_id = " + String(row_key))
    This.Filter()

    // Error row is now last row in primary buffer
    row_number = This.RowCount()

ELSEIF buffer_type = Delete! THEN
    message_title = "Database Error Deleting Row"

END IF
// Display the location of the error and the error
// message.
MessageBox(message_title + &
    String(row_number), message_text)

IF buffer_type <> Delete! THEN
    // Make the row with the error the current row.
    This.ScrollToRow(row_number)
END IF
// Return 1 from the DBError event
// (do not display error message) because we've
// already displayed a message
RETURN 1

```

See also

[GetItemStatus](#)

9.91 GetValidate

Description

Obtains the validation rule for a column in a DataWindow.

Applies to

Table 9.184:

DataWindow type	Method applies to
PowerBuilder	DataWindow control, DataWindowChild object, DataStore object

Syntax

PowerBuilder

```
string dwcontrol.GetValidate ( string column )
string dwcontrol.GetValidate ( integer column )
```

Table 9.185:

Argument	Description
dwcontrol	A reference to a DataWindow control, DataStore, or child DataWindow.
column	The column for which you want the validation rule. Column can be a column number or a column name. The column number is the number of the column as it is listed in the Column Specification view of the DataWindow painter -- not necessarily the number of the column in the Design view.

Return value

Returns the validation rule for column in dwcontrol. Returns the empty string ("") if no validation criteria are defined for the column.

If any argument value is null, in PowerBuilder and JavaScript the method returns null.

Usage

You can use GetValidate to save the current validation rule before calling SetValidate to change the rule temporarily.

Examples

These statements change the validation rule for column 7 in the DataWindow control dw_Employee to Rule2:

```
string Rule1, Rule2 = "Long(GetText()) > 15000"
Rule1 = dw_Employee.GetValidate(7)
dw_Employee.SetValidate(7, Rule2)
```

See also

[SetValidate](#)

9.92 GetValue

Description

Obtains the value of an item in a value list or code table associated with a column in a DataWindow.

Applies to

Table 9.186:

DataWindow type	Method applies to
PowerBuilder	DataWindow control, DataWindowChild object, DataStore object

Syntax

PowerBuilder

```
string dwcontrol.GetValue ( string column, integer index )
string dwcontrol.GetValue ( integer column, integer index )
```

Table 9.187:

Argument	Description
dwcontrol	A reference to a DataWindow control, DataStore, or child DataWindow.
column	The column for which you want the item. Column can be a column number (integer) or a column name (string).
index	The number of the item in the value list or the code table for the edit style.

Return value

Returns the item identified by index in the value list or the code table associated with column of dwcontrol. If the item has a display value that is not the actual value, GetValue returns a tab-separated string consisting of:

```
displayvalue[tab]codevalue
```

Returns the empty string (" ") if the index is not valid or the column does not have a value list or code table.

If any argument value is null, in PowerBuilder and JavaScript the method returns null.

Usage

You can use GetValue to find out the values associated with the following edit styles: CheckBox, RadioButton, DropDownListBox, Edit Mask, and Edit. If the edit style has a code table in which each value in the list has a display value and a data value, GetValue reports both values.

GetValue does not get values from a DropDownDataWindow code table.

You can parse the return value by searching for the tab character (ASCII 09). In PowerBuilder, search for ~t.

Examples

If the value list for column 7 of dw_employee contains Full Time, Part Time, Retired, and Terminated, these statements return the value of item 3 (Retired):

```
string Status
Status = dw_employee.GetValue(7,3)
```

If the value list for the column named product of dw_employee is Widget[tab]1, Gadget[tab]2, the following code returns Gadget[tab]2 and saves the display value in a string variable:

```
string ls_proinfo, ls_proname, ls_pronum
integer li_tab

ls_proinfo = dw_employee.GetValue("product", 2)

li_tab = Pos(ls_proinfo, "~t", 1)
ls_proname = Left(ls_proinfo, li_tab - 1)
ls_pronum = Mid(ls_proinfo, li_tab + 1)
```

See also[ClearValues](#)[SetValue](#)

9.93 GroupCalc

Description

Recalculates the breaks in the grouping levels in a DataWindow.

Applies to**Table 9.188:**

DataWindow type	Method applies to
PowerBuilder	DataWindow control, DataWindowChild object, DataStore object

Syntax**PowerBuilder**

```
integer dwcontrol.GroupCalc ( )
```

Table 9.189:

Argument	Description
dwcontrol	A reference to a DataWindow control, DataStore, or child DataWindow

Return value

Returns 1 if it succeeds and -1 if an error occurs.

If dwcontrol is null, in PowerBuilder and JavaScript the method returns null.

Usage

Use GroupCalc to force the DataWindow object to recalculate the breaks in the grouping levels after you have added or modified rows in a DataWindow.

GroupCalc does not sort the data before it recalculates the breaks. Therefore, unless you populated the DataWindow in a sorted order, call the Sort method to sort the data before you call GroupCalc.

Examples

This code imports new rows from a file into the DataWindow dw_emp and then recalculates the group breaks for dw_emp:

```
dw_emp.ImportFile("d:\employee.txt")
dw_emp.SetRedraw(false)
dw_emp.SetSort("1A")
dw_emp.Sort()
dw_emp.GroupCalc()
dw_emp.SetRedraw(true)
```

See also[Sort](#)**9.94 Hide****Description**

Makes an object or control invisible. Users cannot interact with an invisible object. It does not respond to any events, so the object is also, in effect, disabled.

Applies to**Table 9.190:**

DataWindow type	Method applies to
PowerBuilder	DataWindow control

Syntax**PowerBuilder**

```
Integer objectname.Hide ( )
```

Table 9.191:

Argument	Description
objectname	The name of the object or control you want to make invisible

Return value

Returns 1 if it succeeds and -1 if an error occurs. If objectname is null, Hide returns null.

Usage

Inherited from GraphicObject. For information, see Section 2.4.368, “Hide” in *PowerScript Reference*.

9.95 ImportClipboard**Description**

Inserts data into a DataWindow control or DataStore object from tab-separated, comma-separated, or XML data on the clipboard.

Applies to**Table 9.192:**

DataWindow type	Method applies to
PowerBuilder	DataWindow control, DataWindowChild object, DataStore object

Syntax

PowerBuilder

```
long dwcontrol.ImportClipboard ( {saveastype importtype} {, long startrow {, long endrow {, long startcolumn {, long endcolumn {, long dwstartcolumn } } } } )
```

Table 9.193:

Argument	Description
dwcontrol	A reference to a DataWindow control, DataStore, or child DataWindow.
importtype (optional for PowerBuilder)	<p>An enumerated value of the SaveAsType DataWindow constant or a number representing that value (see SaveAsType). Valid import type arguments for ImportClipboard are:</p> <p>Text! CSV! XML!</p> <p>If you want to generate an XML trace file, the XML! argument is required.</p>
startrow (optional for PowerBuilder)	<p>The number of the first detail row in the clipboard that you want to copy. The default is 1.</p> <p>For default XML import, if startrow is supplied, the first N (startrow - 1) elements are skipped, where N is the DataWindow row size.</p> <p>For template XML import, if startrow is supplied, the first (startrow - 1) occurrences of the repetitive row mapping defined in the template are skipped.</p>
endrow (optional for PowerBuilder)	<p>The number of the last detail row in the clipboard that you want to copy. The default is the rest of the rows.</p> <p>For default XML import, if endrow is supplied, import stops when N * endrow elements have been imported, where N is the DataWindow row size.</p> <p>For template XML import, if endrow is supplied, import stops after endrow occurrences of the repetitive row mapping defined in the template have been imported.</p>
startcolumn (optional for PowerBuilder)	<p>The number of the first column in the clipboard that you want to copy. The default is 1.</p> <p>For default XML import, if startcolumn is supplied, import skips the first (startcolumn - 1) elements in each row.</p> <p>This argument has no effect on template XML import.</p>
endcolumn (optional for PowerBuilder)	<p>The number of the last column in the clipboard that you want to copy. The default is the rest of the columns.</p> <p>For default XML import, if endcolumn is supplied and is smaller than N, where N is the DataWindow row size, import skips the last (N - endcolumn) elements in each row.</p> <p>This argument has no effect on template XML import.</p>

Argument	Description
dwstartcolumn (optional for PowerBuilder)	The number of the first column in the DataWindow control or DataStore that should receive data. The default is 1. This argument is supported for default and template XML import.

Return value

Returns the number of rows that were imported if it succeeds and one of the following negative integers if an error occurs:

- 1 -- No row is supplied or the startrow value supplied is greater than the number of rows in the string
- 3 -- Invalid argument
- 4 -- Invalid input
- 11 -- XML Parsing Error; XML parser libraries not found or XML not well formed
- 12 -- XML Template does not exist or does not match the DataWindow
- 13 -- Unsupported DataWindow style for import
- 14 -- Error resolving DataWindow nesting

Usage

The clipboard data must be formatted in tab-separated or comma-separated columns or in XML. The datatypes and order of the DataWindow object's columns must match the data on the clipboard.

If an XML or CSV column contains a leading double quote, it is assumed to be part of the column value. A leading double quote has to be closed to mark the end of an item.

All the arguments of this function are optional. You do not need to specify the importtype argument. The startcolumn and endcolumn arguments control the number of imported columns and the number of columns in the DataWindow that are affected. The dwstartcolumn argument specifies the first DataWindow column to be affected. The following formula calculates the last column to be affected.

```
dwstartcolumn + (endcolumn - startcolumn)
```

ImportClipboard does not support Crosstab DataWindow objects.

Examples

This statement copies all data in the clipboard to the DataWindow dw_employee starting at the first column:

```
dw_employee.ImportClipboard()
```

This statement copies all data in the clipboard to the DataWindow dw_employee starting at the first column and specifies that the data is in XML format:

```
dw_employee.ImportClipboard(XML!)
```

This statement imports rows 1 to 200 of the XML data on the clipboard, ignoring any template mappings before column 5:

```
dw_employee.ImportClipboard(XML!, 1, 200, 0, 0, 5)
```

This statement inserts data from the clipboard into the DataWindow `dw_employee`. It copies rows 2 through 30 and columns 3 through 8 on the clipboard to the DataWindow beginning in column 5. It adds 29 rows to the DataWindow with data in columns 5 through 10:

```
dw_employee.ImportClipboard(2,30,3,8,5)
```

See also

[ImportFile](#)

[ImportString](#)

9.96 ImportFile

Description

Inserts data into a DataWindow control or DataStore from a file. The data can be tab-separated text, comma-separated text, XML, or dBase format 2 or 3.

Applies to

Table 9.194:

DataWindow type	Method applies to
PowerBuilder	DataWindow control, DataWindowChild object, DataStore object

Syntax

PowerBuilder

```
long dwcontrol.ImportFile ( {saveastype importtype}, string filename {,  
long startrow {, long endrow {, long startcolumn {, long endcolumn {, long  
dwstartcolumn } } } } )
```

Table 9.195:

Argument	Description
<code>dwcontrol</code>	A reference to a DataWindow control or DataStore
<code>importtype</code> (optional for PowerBuilder)	An enumerated value of the <code>SaveAsType</code> DataWindow constant or a number representing that value (see SaveAsType). If this argument is specified, the filename argument can be specified without an extension. Valid type arguments for <code>ImportFile</code> are: Text! CSV! XML! DBase2! DBase3!
<code>filename</code>	A string whose value is the name of the file from which you want to copy data. The file must be an ASCII, tab-separated file (TXT) or a comma-separated file (CSV), Extensible Markup Language file (XML), or dBase format 2 or 3 file (DBF). Specify the file's full name. If the optional <code>importtype</code> is not specified, the name must end in the appropriate extension.

Argument	Description
	If filename is an empty string, or if it is null, ImportFile displays the File Open dialog box and allows the user to select a file. The remaining arguments are ignored.
startrow (optional for PowerBuilder)	<p>The number of the first detail row in the file that you want to copy. The default is 1.</p> <p>For default XML import, if startrow is supplied, the first N (startrow -1) elements are skipped, where N is the DataWindow row size.</p> <p>For template XML import, if startrow is supplied, the first (startrow -1) occurrences of the repetitive row mapping defined in the template are skipped.</p>
endrow (optional for PowerBuilder)	<p>The number of the last detail row in the file that you want to copy. The default is the rest of the rows.</p> <p>For default XML import, if endrow is supplied, import stops when N * endrow elements have been imported, where N is the DataWindow row size.</p> <p>For template XML import, if endrow is supplied, import stops after endrow occurrences of the repetitive row mapping defined in the template have been imported.</p>
startcolumn (optional for PowerBuilder)	<p>The number of the first column in the file that you want to copy. The default is 1.</p> <p>For default XML import, if startcolumn is supplied, import skips the first (startcolumn - 1) elements in each row.</p> <p>This argument has no effect on template XML import.</p>
endcolumn (optional for PowerBuilder)	<p>The number of the last column in the file that you want to copy. The default is the rest of the columns.</p> <p>For default XML import, if endcolumn is supplied and is smaller than N, where N is the DataWindow row size, import skips the last (N - endcolumn) elements in each row.</p> <p>This argument has no effect on template XML import.</p>
dwstartcolumn (optional for PowerBuilder)	The number of the first column in the DataWindow control or DataStore that should receive data. The default is 1. This argument is supported for default and template XML import.

Events

ImportFile may trigger an ItemError event.

Return value

Long. Returns the number of rows that were imported if it succeeds and one of the following negative integers if an error occurs:

- 1 -- No rows or startrow value supplied is greater than the number of rows in the file
- 2 -- Empty file

- 3 -- Invalid argument
- 4 -- Invalid input
- 5 -- Could not open the file
- 6 -- Could not close the file
- 7 -- Error reading the text
- 8 -- Unsupported file name suffix (must be *.txt, *.csv, *.dbf or *.xml)
- 10 -- Unsupported dBase file format (not version 2 or 3)
- 11 -- XML Parsing Error; XML parser libraries not found or XML not well formed
- 12 -- XML Template does not exist or does not match the DataWindow
- 13 -- Unsupported DataWindow style for import
- 14 -- Error resolving DataWindow nesting
- 15 -- File size exceeds limit

Usage

The format of the file can be indicated by specifying the optional `importtype` parameter, or by including the appropriate file extension.

The file should consist of rows of data. If the file includes column headings or row labels, set the `startrow` and `startcolumn` arguments to skip them. The datatypes and order of the DataWindow object's columns must match the columns of data in the file.

The `startcolumn` and `endcolumn` arguments control the number of columns imported from the file and the number of columns in the DataWindow that are affected. The `dwstartcolumn` argument specifies the first DataWindow column to be affected. The following formula calculates the last DataWindow to be affected.

```
dwstartcolumn + (endcolumn - startcolumn)
```

To let users select the file to import, specify a null string for filename. PowerBuilder displays the Select Import File dialog box. A drop-down list lets the user select the type of file to import.

Specifying a null string for filename

If you specify a null string for filename, the remaining arguments are ignored. All the rows and columns in the file are imported.

Double quotes

The location and number of double quote marks in a field in a tab-separated file affect how they are handled when the file is imported. If a string is enclosed in one pair of double quotes, the quotes are discarded. If it is enclosed in three pairs of double quotes, one pair is retained when the string is imported. If the string is enclosed in two pairs of double quotes, the first pair is considered to enclose a null string, and the rest of the string is discarded.

When there is a double quote at the beginning of a string, any characters after the second double quote are discarded. If there is no second double quote, the tab or comma character delimiting the fields is not recognized as a field separator and all characters up to the next

occurrence of a double quote, including a carriage return, are considered to be part of the string. A validation error is generated if the combined strings exceed the length of the first string.

Double quotes after the first character in the string are rendered literally. Here are some examples of how tab-separated strings are imported into a two-column DataWindow:

Table 9.196: Examples of strings imported into a two-column DataWindow

Text in file	Result
"Joe" TAB "Donaldson"	Joe Donaldson
Bernice TAB """"Ramakrishnan"""	Bernice "Ramakrishnan"
""Mary"" TAB ""Li""	Empty cells
"Mich"ael TAB """"Mariam"""	Mich "Mariam"
"Amy TAB Doherty"	Amy<TAB>Doherty in first cell, second cell empty
3"""" TAB 4"	3"""" 4"

If an XML or CSV column contains a leading double quote, it is assumed to be part of the column value. A leading double quote has to be closed to mark the end of an item.

ImportFile does not support Crosstab DataWindow objects.

Examples

This statement inserts all the data in the file D:\TMP\EMPLOYEE.CSV into dw_employee starting at the first column:

```
dw_employee.ImportFile("D:\TMP\EMPLOYEE.CSV")
```

This statement inserts all the data in the file D:\TMP\EMPLOYEE.XML into dw_employee starting at the first column:

```
dw_employee.ImportFile(XML!, "D:\TMP\EMPLOYEE")
```

The following statements are equivalent. Both import the contents of the XML file named myxmldata:

```
dw_control.ImportFile("myxmldata.xml")
dw_control.ImportFile(XML!, "myxmldata")
```

This statement imports rows 1 to 200 of employee.xml, ignoring any template mappings before column 5:

```
dw_employee.ImportFile(XML!, "D:\TMP\EMPLOYEE.XML", 1, 200, 0, 0, 5)
```

This statement inserts the data from the file D:\TMP\EMPLOYEE.TXT into the DataWindow dw_employee. It copies rows 2 through 30 and columns 3 through 8 in the file to the DataWindow beginning in column 5. The result is 29 rows added to the DataWindow with data in columns 5 through 10:

```
dw_employee.ImportFile("D:\TMP\EMPLOYEE.TXT", &
2, 30, 3, 8, 5)
```

See also

[ImportClipboard](#)[ImportString](#)

9.97 ImportJson

Description

Inserts data from a JSON string into a DataWindow control, DataStore object, or DataWindowChild object according to the index of the JSON item.

The JSON string must be in the format described in Section 4.7.1, “Supported JSON formats” in *Application Techniques*.

ImportJson function will fail to import data properly, if the DataWindow is in query mode.

Applies to

Table 9.197:

DataWindow type	Method applies to
PowerBuilder	DataWindow control, DataWindowChild object, and DataStore object, except for those with the Composite, Crosstab, OLE 2.0, or RichText presentation styles.

Syntax

PowerBuilder

```
long dwcontrol.ImportJson( string json {, string error} {, DWBuffer dwbuffer
{, long startrow {, long endrow {, long startcolumn {, long endcolumn {, long
dwstartcolumn } } } } } )
```

Table 9.198:

Argument	Description
dwcontrol	A reference to a DataWindow control, DataStore, or DataWindowChild.
json	A string specifying the JSON data. The JSON string must comply with the Section 4.7.1, “Supported JSON formats” in <i>Application Techniques</i> .
error (optional)	A variable into which the returned warning or error message will be placed. When there are a large amount of error messages, the error information will only display the total number of errors, and the detailed message of the first 10 errors. The import warning caused by data type mismatch will not affect the return value of ImportJson; although the data of the mismatched columns will not be imported, the rest columns (even only one column) that are matched will be imported successfully; and that row will be regarded as a successful import and counted into the return value.

Argument	Description
	<p>The import error caused by DW presentation style mismatch, invalid arguments, startrow value greater than the number of rows, etc. will be regarded as a failure, and represented by a negative return value of ImportJson, instead of being placed into this variable. See the Return Value section for more.</p> <p>Most of the messages placed into this variable are warnings (such as data type mismatch) rather than errors. Developers can adjust the JSON data according to the message or simply ignore the message if the problematic column is not critical and the corresponding DataWindow column can be left blank.</p>
dwbuffer (optional)	<p>A value of the dwBuffer enumerated datatype identifying the DataWindow buffer from which you want to import the data. For a list of valid values, see DWBuffer.</p> <p>For plain JSON: If not specified, imports the JSON data to the Primary! buffer. If specified, imports the JSON data to the specified buffer.</p> <p>For DataWindow JSON: If not specified, imports data from all of the buffers from the JSON string to the corresponding buffers and, if any, imports the data for DataWindowChild. If specified, imports data from the specified buffer from the JSON string to the corresponding buffer.</p>
startrow (optional)	<p>The number of the first detail object in the JSON array that you want to import. The default is 1. If it is 0 or negative, 1 is used.</p>
endrow (optional)	<p>The number of the last detail object in the JSON array that you want to import. The default is the rest of the objects. If it is 0 or negative, it indicates the rest of rows.</p>
startcolumn (optional)	<p>The number of the first key value in the JSON object that you want to import. The default is 1. If it is 0 or negative, 1 is used.</p>
endcolumn (optional)	<p>The number of the last key value in the JSON object that you want to import. The default is the rest of the key values. If it is 0 or negative, it indicates the rest of columns.</p>
dwstartcolumn (optional)	<p>The number of the first column in the DataWindow control, DataStore or DataWindowChild that should receive data. The default is 1. If it is 0 or negative, 1 is used.</p>

Return value

Long. Returns the number of rows that were imported if it succeeds and one of the following negative integers if an error occurs. The return value will count the rows imported into the primary, filter, and delete buffers, but not the rows imported into DataWindowChild.

0 -- When all of the data in the JSON string is null or the JSON string only contains data for DataWindowChild.

-1 -- General error.

-2 -- No row is supplied or the startrow value supplied is greater than the number of rows in the JSON data.

- 3 -- Invalid argument.
- 4 -- Invalid JSON.
- 5 -- JSON format error.
- 6 -- Unsupported DataWindow presentation style for import.
- 7 -- Error resolving DataWindow nesting.
- 8 -- Unsupported mapping-method value.

The method returns null if any of the following:

- any argument's value is null
- the DataWindow object (dataobject) is invalid

Usage

The ImportJson function imports data according to the index of the JSON item when the data type of the JSON value matches with that of the DataWindow column.

There is no forced conversion between strings and numbers. For example, the number 123 in JSON string will not be imported into the DataWindow column of char(10) type. For such case, a data type mismatch warning will be recorded in the error argument.

A boolean value (true or false) will be converted to 0 or 1 when imported from the JSON string to the DataWindow; however, 0 or 1 will not be converted to a boolean value (true or false) when exported from the DataWindow to the JSON string.

If the string length in JSON is larger than the string length in DataWindow, the string will be truncated when imported into the DataWindow. For example, JSON string [{"name":"TestForTruncate"}] is imported as "Test" when the data type of DataWindow column "name" is char(4).

When the number value is imported from the JSON string to the DataWindow column of number data type (with uncertain precision), the value will have uncertain decimals, for example, 6.78 becomes 6.78000020980835 after imported from the JSON string to the DataWindow.

Examples

This example gets data at plain JSON format from the server and imports into the primary buffer of the DataWindow:

```
int li_rc
long ll_RowCount
string ls_PlainJson
HttpClient lnv_HttpClient

lnv_HttpClient = create HttpClient

// send request using GET method
li_rc=lnv_HttpClient.SendRequest("GET", "https://demo.appeon.com/PB/webapi_client/employee/102")
// obtain the response data
if li_rc = 1 and lnv_HttpClient.GetResponseStatusCode() = 200 then
    lnv_HttpClient.GetResponseBody(ls_PlainJson)
    ll_RowCount = dw_1.ImportJson(ls_PlainJson)
```

```
end if
```

This example imports data (and state) from a DataWindow JSON string into the DataWindowChild and all of the buffers of the DataWindow:

```
long ll_RowCount
string ls_DWJson, ls_Error

//DataWindow JSON
ls_DWJson = ...
ll_RowCount = dw_1.ImportJson(ls_DWJson, ls_Error)

//Checks if any error
IF isnull(ll_RowCount) Then
  MessageBox("Error", "The method returns null")
ElseIf ll_RowCount < 0 Then
  If len(ls_Error) > 0 Then
    MessageBox("Failed","Return Value: " + String(ll_RowCount) &
      + "~r~nWith error information:~r~n" + ls_Error)
  Else
    MessageBox("Failed","Return Value: "+String(ll_RowCount))
  End If
Else
  //Checks if any warning
  If len(ls_Error) > 0 Then
    MessageBox("Warning", "With warning information:~r~n" + ls_Error)
  Else
    MessageBox("Succeed", "Return Value: " + String(ll_RowCount) )
  End If
End If
```

This example imports data (and state) from a DataWindow JSON string into the primary buffer of the DataWindow:

```
long ll_RowCount
string ls_DWJson

//DataWindow JSON
ls_DWJson = ...
ll_RowCount = dw_1.ImportJson(ls_DWJson, Primary!)
```

This example imports data from a plain JSON string in rows 2 through the end into the primary buffer of the DataWindow:

```
long ll_RowCount
string ls_PlainJson

//Plain JSON
ls_PlainJson = '[{"department_id":100,"department_name":"Sales"}, &
  {"department_id":200,"department_name":"Finance"},
  {"department_id":300,"department_name":"Marketing"}]'

ll_RowCount = dw_1.ImportJson(ls_PlainJson, Primary!, 2)
```

This example imports data from a plain JSON string in rows 1 through 3 into the filter buffer of the DataWindow:

```
long ll_RowCount
string ls_PlainJson

//Plain JSON
ls_PlainJson = '[{"emp_id":1,"emp_fname":"Fran","emp_lname":"Whitney"}, &
```

```

    {"emp_id":2,"emp_fname":"Matthew","emp_lname":"Cobb"}, &
    {"emp_id":3,"emp_fname":"Philip","emp_lname":"Chin"}, &
    {"emp_id":4,"emp_fname":"Julie","emp_lname":"Jordan"}, &
    {"emp_id":5,"emp_fname":"Robert","emp_lname":"Breault"}]}'
ll_RowCount = dw_1.ImportJson(ls_PlainJson, Filter!, 1, 3)

```

This example imports data from a plain JSON string in rows 1 through 3 and in columns 2 through the end into the primary buffer of the DataWindow:

```

long ll_RowCount
string ls_PlainJson

//Plain JSON
ls_PlainJson = '[{"emp_id":1,"emp_fname":"Fran","emp_lname":"Whitney"}, &
    {"emp_id":2,"emp_fname":"Matthew","emp_lname":"Cobb"}, &
    {"emp_id":3,"emp_fname":"Philip","emp_lname":"Chin"}, &
    {"emp_id":4,"emp_fname":"Julie","emp_lname":"Jordan"}, &
    {"emp_id":5,"emp_fname":"Robert","emp_lname":"Breault"}]}'
ll_RowCount = dw_1.ImportJson(ls_PlainJson, Primary!, 1, 3, 2)

```

This example imports data (and state) from a DataWindow JSON string in rows 1 through 10 and in columns 1 through 5 into the primary buffer of the DataWindow:

```

long ll_RowCount
string ls_DWJson

//DataWindow JSON
ls_DWJson = ...
ll_RowCount = dw_1.ImportJson(ls_DWJson, Primary!, 1, 10, 1, 5)

```

This example imports data from a plain JSON string in rows 1 through 3 and in columns 2 through 5 into the primary buffer of the DataWindow beginning in column 3:

```

long ll_RowCount
string ls_PlainJson

//Plain JSON
ls_PlainJson = '[{"emp_id":1,"emp_fname":"Fran","emp_lname":"Whitney", &
    "street":"9 East Washington Street","city":"Cornwall"}, &
    {"emp_id":2,"emp_fname":"Matthew","emp_lname":"Cobb", &
    "street":"7 Pleasant Street","city":"Grimsby"}, &
    {"emp_id":3,"emp_fname":"Philip","emp_lname":"Chin", &
    "street":"539 Pond Street","city":"Oakville"}, &
    {"emp_id":4,"emp_fname":"Julie","emp_lname":"Jordan", &
    "street":"1244 Great Plain Avenue","city":"Woodbridge"}, &
    {"emp_id":5,"emp_fname":"Robert","emp_lname":"Breault", &
    "street":"358 Cherry Street","city":"Milton"}]}'
ll_RowCount = dw_1.ImportJson(ls_PlainJson, Primary!, 1, 3, 2, 5, 3)

```

This example imports data (and state) from a DataWindow JSON string into the primary buffer of the DataWindow:

```

long ll_RowCount
string ls_DWJson, ls_Error

//DataWindow JSON
ls_DWJson = ...
ll_RowCount = dw_1.ImportJson(ls_DWJson, ls_Error, Primary!)

//Checks if any error
IF isnull(ll_RowCount) Then
    MessageBox("Error", "The method returns null")
ElseIf ll_RowCount < 0 Then

```

```

If len(ls_Error) > 0 Then
  MessageBox("Failed","Return Value: " + String(ll_RowCount) &
    + "~r~nWith error information::~r~n" + ls_Error)
Else
  MessageBox("Failed","Return Value: "+String(ll_RowCount))
End If
Else
  //Checks if any warning
  If len(ls_Error) > 0 Then
    MessageBox("Warning", "With warning information::~r~n" + ls_Error)
  Else
    MessageBox("Succeed", "Return Value: " + String(ll_RowCount) )
  End If
End If

```

This example imports data from a plain JSON string in rows 2 through the end into the delete buffer of the DataWindow:

```

long ll_RowCount
string ls_PlainJson, ls_Error

//Plain JSON
ls_PlainJson = '[{"emp_id":1,"emp_fname":"Fran","emp_lname":"Whitney"}, &
  {"emp_id":2,"emp_fname":"Matthew","emp_lname":"Cobb"}, &
  {"emp_id":3,"emp_fname":"Philip","emp_lname":"Chin"}, &
  {"emp_id":4,"emp_fname":"Julie","emp_lname":"Jordan"}, &
  {"emp_id":5,"emp_fname":"Robert","emp_lname":"Breault}]]'
ll_RowCount = dw_1.ImportJson(ls_PlainJson, ls_Error, Delete!, 2)

//Checks if any error
IF isnull(ll_RowCount) Then
  MessageBox("Error", "The method returns null")
ElseIf ll_RowCount < 0 Then
  If len(ls_Error) > 0 Then
    MessageBox("Failed","Return Value: " + String(ll_RowCount) &
      + "~r~nWith error information::~r~n" + ls_Error)
  Else
    MessageBox("Failed","Return Value: "+String(ll_RowCount))
  End If
Else
  //Checks if any warning
  If len(ls_Error) > 0 Then
    MessageBox("Warning", "With warning information::~r~n" + ls_Error)
  Else
    MessageBox("Succeed", "Return Value: " + String(ll_RowCount) )
  End If
End If

```

This example imports data (and state) from a DataWindow JSON string in rows 1 through 10 into the primary buffer of the DataWindow:

```

long ll_RowCount
string ls_DWJson, ls_Error

//DataWindow JSON
ls_DWJson = ...
ll_RowCount = dw_1.ImportJson(ls_DWJson, ls_Error, Primary!, 1, 10)

//Checks if any error
IF isnull(ll_RowCount) Then
  MessageBox("Error", "The method returns null")
ElseIf ll_RowCount < 0 Then
  If len(ls_Error) > 0 Then
    MessageBox("Failed","Return Value: " + String(ll_RowCount) &

```

```

        + "~r~nWith error information::~r~n" + ls_Error)
    Else
        MessageBox("Failed","Return Value: "+String(ll_RowCount))
    End If
Else
    //Checks if any warning
    If len(ls_Error) > 0 Then
        MessageBox("Warning", "With warning information::~r~n" + ls_Error)
    Else
        MessageBox("Succeed", "Return Value: " + String(ll_RowCount) )
    End If
End If

```

This example imports data (and state) from the DataWindow JSON string in rows 1 through 10 and in columns 2 through the end into the primary buffer of the DataWindow:

```

long ll_RowCount
string ls_DWJson, ls_Error

//DataWindow JSON
ls_DWJson = ...
ll_RowCount = dw_1.ImportJson(ls_DWJson, ls_Error, Primary!, 1, 10, 2)

//Checks if any error
IF isnull(ll_RowCount) Then
    MessageBox("Error", "The method returns null")
ElseIf ll_RowCount < 0 Then
    If len(ls_Error) > 0 Then
        MessageBox("Failed","Return Value: " + String(ll_RowCount) &
            + "~r~nWith error information::~r~n" + ls_Error)
    Else
        MessageBox("Failed","Return Value: "+String(ll_RowCount))
    End If
Else
    //Checks if any warning
    If len(ls_Error) > 0 Then
        MessageBox("Warning", "With warning information::~r~n" + ls_Error)
    Else
        MessageBox("Succeed", "Return Value: " + String(ll_RowCount) )
    End If
End If

```

This example imports data (and state) from a DataWindow JSON string in rows 1 through 10 and in columns 2 through 5 into the primary buffer of the DataWindow:

```

long ll_RowCount
string ls_DWJson, ls_Error

//DataWindow JSON
ls_DWJson = ...
ll_RowCount = dw_1.ImportJson(ls_DWJson, ls_Error, Primary!, 1, 10, 2, 5)

//Checks if any error
IF isnull(ll_RowCount) Then
    MessageBox("Error", "The method returns null")
ElseIf ll_RowCount < 0 Then
    If len(ls_Error) > 0 Then
        MessageBox("Failed","Return Value: " + String(ll_RowCount) &
            + "~r~nWith error information::~r~n" + ls_Error)
    Else
        MessageBox("Failed","Return Value: "+String(ll_RowCount))
    End If
Else
    //Checks if any warning

```

```

If len(ls_Error) > 0 Then
  MessageBox("Warning", "With warning information:~r~n" + ls_Error)
Else
  MessageBox("Succeed", "Return Value: " + String(ll_RowCount) )
End If
End If

```

This example imports data (and state) from a DataWindow JSON string in rows 1 through 10 and in columns 2 through 5 into the primary buffer of the DataWindow beginning in column 2:

```

long ll_RowCount
string ls_DWJson, ls_Error

//DataWindow JSON
ls_DWJson = ...
ll_RowCount = dw_1.ImportJson(ls_DWJson, ls_Error, Primary!, 1, 10, 2, 5, 2)

//Checks if any error
IF isnull(ll_RowCount) Then
  MessageBox("Error", "The method returns null")
ElseIf ll_RowCount < 0 Then
  If len(ls_Error) > 0 Then
    MessageBox("Failed", "Return Value: " + String(ll_RowCount) &
      + "~r~nWith error information:~r~n" + ls_Error)
  Else
    MessageBox("Failed", "Return Value: "+String(ll_RowCount))
  End If
Else
  //Checks if any warning
  If len(ls_Error) > 0 Then
    MessageBox("Warning", "With warning information:~r~n" + ls_Error)
  Else
    MessageBox("Succeed", "Return Value: " + String(ll_RowCount) )
  End If
End If

```

See also

[ImportJsonByKey](#)

[ExportJson](#)

9.98 ImportJsonByKey

Description

Inserts data from a JSON string into a DataWindow control, DataStore object, or DataWindowChild object according to the key name of the JSON item.

The JSON string must be in the format described in Section 4.7.1, “Supported JSON formats” in *Application Techniques*.

This function will fail to import data properly, if the DataWindow is in query mode.

Applies to

Table 9.199:

DataWindow type	Method applies to
PowerBuilder	DataWindow control, DataWindowChild object, and DataStore object, except for those

DataWindow type	Method applies to
	with the Composite, Crosstab, OLE 2.0, or RichText presentation styles.

Syntax

PowerBuilder

```
long dwcontrol.ImportJsonByKey( string json {, string error} {, DWBuffer dwbuffer {, long startrow {, long endrow } } } )
```

Table 9.200:

Argument	Description
dwcontrol	A reference to a DataWindow control, DataStore, or DataWindowChild.
json	A string specifying the JSON data. The JSON string must comply with the Section 4.7.1, “Supported JSON formats” in <i>Application Techniques</i> . If it is DataWindow JSON, this function will ignore the mapping-method element of the JSON data.
error (optional)	<p>A variable into which the returned warning or error message will be placed.</p> <p>When there are a large amount of error messages, the error information will only display the total number of errors, and the detailed message of the first 10 errors.</p> <p>The import warning caused by data type mismatch will not affect the return value of ImportJsonByKey; although the data of the mismatched columns will not be imported, the rest columns (even only one column) that are matched will be imported successfully; and that row will be regarded as a successful import and counted into the return value.</p> <p>The import error caused by DW presentation style mismatch, invalid arguments, startrow value greater than the number of rows, etc. will be regarded as a failure, and represented by a negative return value of ImportJsonByKey, instead of being placed into this variable. See the Return Value section for more.</p> <p>Most of the messages placed into this variable are warnings (such as data type mismatch) rather than errors. Developers can adjust the JSON data according to the message or simply ignore the message if the problematic column is not critical and the corresponding DataWindow column can be left blank.</p>
dwbuffer (optional)	<p>A value of the dwBuffer enumerated datatype identifying the DataWindow buffer from which you want to import the data. For a list of valid values, see DWBuffer.</p> <p>For plain JSON: If not specified, imports the JSON data to the Primary! buffer. If specified, imports the JSON data to the specified buffer.</p> <p>For DataWindow JSON: If not specified, imports data of all of the buffers from the JSON string to the corresponding buffers and, if any,</p>

Argument	Description
	imports the data for DataWindowChild. If specified, imports data of the specified buffer from the JSON string to the corresponding buffer.
startrow (optional)	The number of the first detail object in the JSON Array that you want to import. The default is 1. If it is 0 or negative, 1 is used.
endrow (optional)	The number of the last detail object in the JSON Array that you want to import. The default is the rest of the objects. If it is 0 or negative, it indicates the rest of rows.

Return value

Long. Returns the number of rows that were imported if it succeeds and one of the following negative integers if an error occurs. The return value will count the rows imported into the primary, filter, and delete buffers, but not the rows imported into DataWindowChild.

0 -- When all of the data in the JSON string is null, or the JSON string only contains data for DataWindowChild, or no JSON key matches with the DataWindow column.

-1 -- General error.

-2 -- No rows or startrow value supplied is greater than the number of rows in the JSON.

-3 -- Invalid argument.

-4 -- Invalid JSON.

-5 -- JSON format error.

-6 -- Unsupported DataWindow presentation style for import.

-7 -- Error resolving DataWindow nesting.

The method returns null if any of the following:

- any argument's value is null
- the DataWindow object (dataobject) is invalid

Usage

There is no forced conversion between strings and numbers. For example, the number 123 in JSON string will not be imported into the DataWindow column of char(10) type. For such case, a data type mismatch warning will be recorded in the error argument.

A boolean value (true or false) will be converted to 0 or 1 when imported from the JSON string to the DataWindow; however, 0 or 1 will not be converted to a boolean value (true or false) when exported from the DataWindow to the JSON string.

If the string length in JSON is larger than the string length in DataWindow, the string will be truncated when imported into the DataWindow. For example, JSON string [{"name": "TestForTrancate"}] is imported as "Test" when the data type of DataWindow column "name" is char(4).

When the number value is imported from the JSON string to the DataWindow column of number data type (with uncertain precision), the value will have uncertain decimals, for

example, 6.78 becomes 6.78000020980835 after imported from the JSON string to the DataWindow.

Examples

This example imports data from a plain JSON string into the corresponding column of DataWindowChild:

```
long ll_RowCount
string ls_PlainJson
datawindowchild ldwc_Dept

dw_1.GetChild("dept_id", ldwc_Dept)

ls_PlainJson = '[{"dept_id":100,"dept_name":"R & D"},
{"dept_id":200,"dept_name":"Sales"}, &
                {"dept_id":300,"dept_name":"Finance"},
{"dept_id":400,"dept_name":"Marketing"}]'
ll_RowCount = ldwc_Dept.ImportJsonByKey(ls_PlainJson)
```

This example imports data from a plain JSON string into the corresponding column of DataWindowChild:

```
long ll_RowCount
string ls_PlainJson, ls_Error
datawindowchild ldwc_Dept

dw_1.GetChild("dept_id", ldwc_Dept)

ls_PlainJson = '[{"dept_id":100,"dept_name":"R & D"},
{"dept_id":200,"dept_name":"Sales"}, &
                {"dept_id":300,"dept_name":"Finance"},
{"dept_id":400,"dept_name":"Marketing"}]'
ll_RowCount = ldwc_Dept.ImportJsonByKey(ls_PlainJson , ls_Error)

//Checks if any error
IF isnull(ll_RowCount) Then
  MessageBox("Error", "The method returns null")
ElseIf ll_RowCount < 0 Then
  If len(ls_Error) > 0 Then
    MessageBox("Failed","Return Value: " + String(ll_RowCount) &
      + "~r~nWith error information:~r~n" + ls_Error)
  Else
    MessageBox("Failed","Return Value: "+String(ll_RowCount))
  End If
Else
  //Checks if any warning
  If len(ls_Error) > 0 Then
    MessageBox("Warning", "With warning information:~r~n" + ls_Error)
  Else
    MessageBox("Succeed", "Return Value: " + String(ll_RowCount) )
  End If
End If
```

This example imports data from a plain JSON string into the primary buffer of the DataWindow:

```
long ll_RowCount
string ls_PlainJson

ls_PlainJson = '[{"dept_id":100,"dept_name":"R & D","dept_head_id":501}, &
                {"dept_id":200,"dept_name":"Sales","dept_head_id":902}]'
ll_RowCount = dw_Dept.ImportJsonByKey(ls_PlainJson, Primary!)
```

This example imports data from dw_1 into a DataWindow JSON string, and then imports data in rows 2 through the end from the JSON string into dw_2 (suppose dw_1 and dw_2 have the same column names):

```
long ll_RowCount
string ls_DWJson

ls_DWJson = dw_1.ExportJson(true)
ll_RowCount = dw_2.ImportJsonByKey(ls_DWJson, Primary!, 2)
```

This example imports data (and state) in rows 1 through 10 from the primary buffer of a DataWindow JSON string into the primary buffer of the DataWindow:

```
long ll_RowCount
string ls_DWJson

//DataWindow JSON
ls_DWJson = ...

ll_RowCount = dw_1.ImportJsonByKey(ls_DWJson, Primary!, 1, 10)
```

This example imports data from a plain JSON string into the primary buffer of the DataWindow:

```
long ll_RowCount
string ls_PlainJson, ls_Error

ls_PlainJson = '[{"dept_id":100,"dept_name":"R & D","dept_head_id":501}, &
                {"dept_id":200,"dept_name":"Sales","dept_head_id":902}]'
ll_RowCount = dw_Dept.ImportJsonByKey(ls_PlainJson, ls_Error, Primary!)

//Checks if any error
IF isnull(ll_RowCount) Then
  MessageBox("Error", "The method returns null")
ElseIf ll_RowCount < 0 Then
  If len(ls_Error) > 0 Then
    MessageBox("Failed","Return Value: " + String(ll_RowCount) &
      + "~r~nWith error information:~r~n" + ls_Error)
  Else
    MessageBox("Failed","Return Value: "+String(ll_RowCount))
  End If
Else
  //Checks if any warning
  If len(ls_Error) > 0 Then
    MessageBox("Warning", "With warning information:~r~n" + ls_Error)
  Else
    MessageBox("Succeed", "Return Value: " + String(ll_RowCount) )
  End If
End If
```

This example imports data from dw_1 into a DataWindow JSON string, and then imports data in rows 2 through the end from the JSON string into dw_2 (suppose dw_1 and dw_2 have the same column names):

```
long ll_RowCount
string ls_DWJson, ls_Error

ls_DWJson = dw_1.ExportJson(true)

ll_RowCount = dw_2.ImportJsonByKey(ls_DWJson, ls_Error, Primary!, 2)

//Checks if any error
```

```

IF isnull(ll_RowCount) Then
  MessageBox("Error", "The method returns null")
ElseIf ll_RowCount < 0 Then
  If len(ls_Error) > 0 Then
    MessageBox("Failed", "Return Value: " + String(ll_RowCount) &
      + "~r~nWith error information:~r~n" + ls_Error)
  Else
    MessageBox("Failed", "Return Value: "+String(ll_RowCount))
  End If
Else
  //Checks if any warning
  If len(ls_Error) > 0 Then
    MessageBox("Warning", "With warning information:~r~n" + ls_Error)
  Else
    MessageBox("Succeed", "Return Value: " + String(ll_RowCount) )
  End If
End If

```

This example imports data (and state) in rows 1 through 10 from the primary buffer of a DataWindow JSON string into the primary buffer of the DataWindow:

```

long ll_RowCount
string ls_DWJson, ls_Error

//DataWindow JSON
ls_DWJson =...

ll_RowCount = dw_1.ImportJsonByKey(ls_DWJson, ls_Error, Primary!, 1, 10)

//Checks if any error
IF isnull(ll_RowCount) Then
  MessageBox("Error", "The method returns null")
ElseIf ll_RowCount < 0 Then
  If len(ls_Error) > 0 Then
    MessageBox("Failed", "Return Value: " + String(ll_RowCount) &
      + "~r~nWith error information:~r~n" + ls_Error)
  Else
    MessageBox("Failed", "Return Value: "+String(ll_RowCount))
  End If
Else
  //Checks if any warning
  If len(ls_Error) > 0 Then
    MessageBox("Warning", "With warning information:~r~n" + ls_Error)
  Else
    MessageBox("Succeed", "Return Value: " + String(ll_RowCount) )
  End If
End If

```

See also

[ImportJson](#)

[ExportJson](#)

9.99 ImportRowFromJson

Description

Inserts a data row from a JSON string into a DataWindow control, DataStore object, or DataWindowChild object. The status of the inserted data row is NotModified!.

The JSON string that can be imported by this function must be a one-level plain JSON string. For details, see Plain JSON: one-level structure in *Application Techniques*.

This function will fail to import data properly, if the DataWindow is in query mode.

Applies to

Table 9.201:

DataWindow type	Method applies to
PowerBuilder	DataWindow control, DataWindowChild object, and DataStore object, except for those with the Composite, Crosstab, OLE 2.0, or RichText presentation styles.

Syntax

PowerBuilder

```
long dwcontrol.ImportRowFromJson( string json, long row {, ref string error} {, DWBuffer dwbuffer})
```

Table 9.202:

Argument	Description
dwcontrol	A reference to a DataWindow control, DataStore, or DataWindowChild.
json	A string specifying the JSON data. The JSON string must be in the plain format which must have only one level (cannot be two or more) and must be an object (cannot be an array).
row	A long value identifying the row before which you want to insert a row. To insert a row at the end, specify 0, or a negative value, or a value greater than the row count in the DataWindow buffer.
error (optional)	<p>A variable into which the returned warning or error message will be placed.</p> <p>When there are a large amount of error messages, the error information will only display the total number of errors, and the detailed message of the first 10 errors.</p> <p>The import warning caused by data type mismatch will not affect the return value of this function; although the data of the mismatched columns will not be imported, the rest columns (even only one column) that are matched will be imported successfully; and that row will be regarded as a successful import and counted into the return value.</p> <p>The import error caused by DW presentation style mismatch, invalid arguments etc. will be regarded as a failure, and represented by a negative return value of this function, instead of being placed into this variable. See the Return Value section for more.</p> <p>Most of the messages placed into this variable are warnings (such as data type mismatch) rather than errors. Developers can adjust the JSON data according to the message or simply ignore the message if the problematic column is not critical and the corresponding DataWindow column can be left blank.</p>

Argument	Description
dwbuffer (optional)	A value of the dwBuffer enumerated datatype identifying the DataWindow buffer from which you want to import the data. For a list of valid values, see DWBuffer . If not specified, imports the JSON data to the Primary! buffer. If specified, imports the JSON data to the specified buffer.

Return value

Long. Returns 1 if the data row was added successfully and one of the following negative integers if an error occurs.

- 1 -- General error.
- 3 -- Invalid argument.
- 4 -- Invalid JSON.
- 5 -- JSON format error.
- 6 -- Unsupported DataWindow presentation style for import.
- 7 -- Error resolving DataWindow nesting.

The method returns null if any of the following:

- any argument's value is null
- the DataWindow object (dataobject) is invalid

Usage

There is no forced conversion between strings and numbers. For example, the number 123 in JSON string will not be imported into the DataWindow column of char(10) type. For such case, a data type mismatch warning will be recorded in the error argument.

A boolean value (true or false) will be converted to 0 or 1 when imported from the JSON string to the DataWindow; however, 0 or 1 will not be converted to a boolean value (true or false) when exported from the DataWindow to the JSON string.

If the string length in JSON is larger than the string length in DataWindow, the string will be truncated when imported into the DataWindow. For example, JSON string [{"name":"TestForTrancate"}] is imported as "Test" if the data type of DataWindow column "name" is char(4).

When the number value is imported from the JSON string to the DataWindow column of number data type (with uncertain precision), the value will have uncertain decimals, for example, 6.78 becomes 6.78000020980835 after imported from the JSON string to the DataWindow.

Example

The following example imports two rows, one before the first row and the other before the last row.

```
String ls_Json = '{"dept_id":1900,"dept_name":"Test send patch request42","dept_head_id":"test"}'
```

```
String ls_Error
Integer li_ImportJsonReturn

//Inserts a row before the first row
//Note that the column name and data type between JSON string and DataWindow must
match
li_ImportJsonReturn = dw_Data.ImportRowFromJson( ls_Json, 1, ls_Error)
If Trim(ls_Error) <> "" Then
    //Prints the value of ls_Error.
    //The data type of the last column between JSON string and DataWindow does not
match
    //so there will be an error message here.
End If

ls_Json = '{"dept_id":1900,"dept_name":"Test send patch
request42","dept_head_id":1}'
//Inserts a row before the last row
//Note that the column name and data type between JSON string and DataWindow must
match
li_ImportJsonReturn = dw_Data.ImportRowFromJson( ls_Json, 0, ls_Error, Primary!)
If Trim(ls_Error) <> "" Then
    //Prints the value of ls_Error
End If
```

See also

[ExportRowAsJson](#)

9.100 ImportString

Description

Inserts data into a DataWindow control or DataStore from tab-separated, comma-separated, or XML data in a string.

Applies to

Table 9.203:

DataWindow type	Method applies to
PowerBuilder	DataWindow control, DataWindowChild object, DataStore object

Syntax

PowerBuilder

```
long dwcontrol.ImportString ( {saveastype importtype}, string string {,
long startrow {, long endrow {,long startcolumn {, long endcolumn {, long
dwstartcolumn } } } } } )
```

Table 9.204:

Argument	Description
dwcontrol	A reference to a DataWindow control or DataStore.
importtype (optional for PowerBuilder)	An enumerated value of the SaveAsType DataWindow constant or a string or number representing that value (see SaveAsType). Valid type arguments are:

Argument	Description
	Text! CSV! XML! If you want to generate an XML trace file, the XML! argument is required.
string	A string from which you want to copy the data. The string should contain tab-separated or comma-separated columns or XML with one row per line (see Usage).
startrow (optional for PowerBuilder)	The number of the first detail row in the string that you want to copy. The default is 1. For default XML import, if startrow is supplied, the first N (startrow - 1) elements are skipped, where N is the DataWindow row size. For template XML import, if startrow is supplied, the first (startrow - 1) occurrences of the repetitive row mapping defined in the template are skipped.
endrow (optional for PowerBuilder)	The number of the last detail row in the string that you want to copy. The default is the rest of the rows. For default XML import, if endrow is supplied, import stops when N * endrow elements have been imported, where N is the DataWindow row size. For template XML import, if endrow is supplied, import stops after endrow occurrences of the repetitive row mapping defined in the template have been imported.
startcolumn (optional for PowerBuilder)	The number of the first column in the string that you want to copy. The default is 1. For default XML import, if startcolumn is supplied, import skips the first (startcolumn - 1) elements in each row. This argument has no effect on template XML import.
endcolumn (optional for PowerBuilder)	The number of the last column in the string that you want to copy. The default is the rest of the columns. For default XML import, if endcolumn is supplied and is smaller than N, where N is the DataWindow row size, import skips the last (N - endcolumn) elements in each row. This argument has no effect on template XML import.
dwestartcolumn (optional for PowerBuilder)	The number of the first column in the DataWindow control or DataStore that should receive data. The default is 1. This argument is supported for default and template XML import.

Events

ImportString may trigger an ItemError event.

Return value

Returns the number of rows that were imported if it succeeds and one of the following negative integers if an error occurs:

- 1 -- No rows or startrow value supplied is greater than the number of rows in the string
- 3 -- Invalid argument
- 4 -- Invalid input
- 11 -- XML Parsing Error; XML parser libraries not found or XML not well formed
- 12 -- XML Template does not exist or does not match the DataWindow
- 13 -- Unsupported DataWindow style for import
- 14 -- Error resolving DataWindow nesting

Usage

All the arguments of this function except string are optional. You do not need to specify the importtype argument.

The string must be formatted in tab-separated or comma-separated columns or in XML. For TXT and CSV files, the format of the string is the same as if the data came from an ASCII file, and each line must end with a carriage return and a newline character (~r~n). If the string has four tab-separated columns, one line might look like for a tab-separated string:

```
col1_data~t col2_data~t col3_data~t col4_data~r~n
```

For a DataWindow control or DataStore, the string should consist of rows of data. If the data includes column headings or row labels, set the startrow and startcolumn arguments to skip them. The datatypes and order of the DataWindow object's columns must match the columns of data in the string.

The startcolumn and endcolumn arguments control the number of columns imported from the string and the number of columns in the DataWindow that are affected. The dwstartcolumn argument specifies the first DataWindow column to be affected. The following formula calculates the last DataWindow to be affected.

```
dwstartcolumn + ( endcolumn - startcolumn )
```

If string data to be assigned to a single row and column has multiple lines (indicated by line-ending characters in the import string), you must quote the string data using ~". Do not use single quotes.

This example of a valid tab-separated import string assigns multiline values to each row in column 2:

```
ls_s = &
  "1~t~"Mickey~r~nMinnie~r~nGoofy~" ~r~n" + &
  "2~t~"Susan~r~nMary~r~nMarie~" ~r~n" + &
  "3~t~"Chris~r~nBen~r~nMike~" ~r~n" + &
  "4~t~"Mott~r~nBarber~r~nPicard~" "
```

If an XML or CSV column contains a leading double quote, it is assumed to be part of the column value. A leading double quote has to be closed to mark the end of an item.

ImportString does not support Crosstab DataWindow objects.

Examples

These statements copy all data in the string `ls_Emp_Data` to the DataWindow control `dw_employee` starting at the first column:

```
string ls_Emp_Data
ls_Emp_Data = . . .
dw_employee.ImportString(ls_Emp_Data)
```

This statement stores data in the string `ls_Text` and imports it into the DataWindow `dw_employee`. The DataWindow is a report of department 100 and start and end dates of personnel. The string includes the department number and other information, which is not imported. `ImportString` imports rows 2 through 10 and columns 2 through 5 in the string to the DataWindow beginning in column 2. The result is 9 rows added to the DataWindow with data in columns 5 through 8:

```
string ls_text

ls_text = "Dept~tLName~tFName~tStart" &
         + "~tEnd~tAmount~tOutcome ~r~n"
ls_text = ls_text + &
         "100~tJones~tMary~tApr88~tJul94~t40~tG~r~n"
ls_text = ls_text + &
         "100~tMarsh~tMarsha~tApr89~tJan92~t35~tG~r~n"
ls_text = ls_text + &
         "100~tJames~tHarry~tAug88~tMar93~t22~tM~r~n"
...
ls_text = ls_text + &
         "100~tWorth~tFrank~tSep87~tJun94~t55~tE~r~n"

dw_employee.ImportString(ls_text, 2, 10, 2, 5, 5)
```

This statement imports rows 1 to 200 of the data in the XML string `ls_emp`, ignoring any template mappings before column 5:

```
dw_employee.ImportString(ls_emp, 1, 200, 0, 0, 5)
```

See also

[ImportClipboard](#)

[ImportFile](#)

9.101 InsertDocument

Description

Inserts a rich text format or plain text file into a DataWindow control or DataStore object.

The new content is added in one of two ways:

- The new content can be inserted at the insertion point.
- The new content can replace all existing content.

Applies to

Table 9.205:

DataWindow type	Method applies to
PowerBuilder	DataWindow control, DataStore object

Syntax

PowerBuilder

```
integer dwcontrol.InsertDocument ( string filename, boolean clearflag, FileType
filetype)
```

Table 9.206:

Argument	Description
dwcontrol	A reference to a DataWindow control or DataStore object. The DataWindow object in the DataWindow control or DataStore must be a RichTextEdit DataWindow.
filename	A string whose value is the name of the file you want to display in the RichTextEdit control. Filename can include the file's path.
clearflag	A boolean value specifying whether the new file will replace the current contents of the control. Values are: <ul style="list-style-type: none"> • True -- Replace the current contents with the file. • false -- Insert the file into the existing contents at the insertion point.
filetype	A value of the FileType enumerated datatype specifying the type of file being opened. Values are: <ul style="list-style-type: none"> • FileTypeRichText! -- (Default) The file being opened is in rich text format (RTF). • FileTypeText! -- The file being opened is plain ASCII text (TXT). • FileTypeHTML! -- The file being opened is in HTML format (HTM or HTML) • FileTypeDoc! -- The file being opened is in Microsoft Word format (DOC)

Return value

Returns 1 if it succeeds and -1 if an error occurs. If any argument's value is null, InsertDocument returns null.

Usage

When the control supports headers and footer (the HeaderFooter property is set to true), inserting a document can replace, but not add to, existing header and footer text. You must set clearflag to true to replace the existing header and footer text with header and footer text from the inserted document.

Not all RTF formatting is supported. PowerBuilder supports version 1.6 of the RTF standard, except for the following:

- No support for formatted tables
- No drawing controls

Any unsupported formatting is ignored.

PowerBuilder environment

For use with other PowerBuilder RichTextEdit controls, see Section 2.4.401, “InsertDocument” in *PowerScript Reference*.

Examples

This example inserts a document into a RichTextEdit DataWindow:

```
integer rtn
rtn = dw_1.InsertDocument("c:\pb\test.rtf", &
    false, FileTypeRichText!)
```

See also

DataSource in Section 2.4.104, “DataSource” in *PowerScript Reference*

InputFieldInsert in Section 2.4.387, “InputFieldInsert” in *PowerScript Reference*

InsertPicture in Section 2.4.420, “InsertPicture” in *PowerScript Reference*

9.102 InsertRow

Description

Inserts a row in a DataWindow or DataStore. If any columns have default values, the row is initialized with these values before it is displayed.

Applies to

Table 9.207:

DataWindow type	Method applies to
PowerBuilder	DataWindow control, DataWindowChild object, DataStore object

Syntax

PowerBuilder

```
long dwcontrol.InsertRow ( long row )
```

Table 9.208:

Argument	Description
dwcontrol	A reference to a DataWindow control, DataStore, or child DataWindow.
row	A value identifying the row before which you want to insert a row. To insert a row at the end, specify 0.

Return value

Returns the number of the row that was added if it succeeds and -1 if an error occurs.

If any argument's value is null, in PowerBuilder and JavaScript the method returns null. If there is no DataWindow object assigned to the DataWindow control or DataStore, this method returns -1.

Usage

InsertRow simply inserts the row without changing the display or the current row. To scroll to the row and make it the current row, call ScrollToRow. To simply make it the current row, call SetRow.

A newly inserted row (with a status flag of New!) is not included in the modified count until data is entered in the row (its status flag becomes NewModified!).

Examples

This statement inserts an initialized row before row 7 in dw_Employee:

```
dw_Employee.InsertRow(7)
```

This example inserts an initialized row after the last row in dw_employee, then scrolls to the row, which makes it current:

```
long ll_newrow
ll_newrow = dw_employee.InsertRow(0)
dw_employee.ScrollToRow(ll_newrow)
```

See also

[DeleteRow](#)

[Update](#)

9.103 IsExpanded

Description

Performs a test to see whether a group in a TreeView DataWindow with the specified TreeView level is expanded, and whether the group includes the specified row.

Applies to

Table 9.209:

DataWindow type	Method applies to
PowerBuilder	DataWindow control

Syntax

PowerBuilder

```
Boolean dw_control.IsExpanded(long row, long groupLevel)
```

Table 9.210:

Argument	Description
dw_control	A reference to a TreeView-style DataWindow control

Argument	Description
row	The number of the row that belongs to the group
groupLevel	The TreeView level of the group

Return value

Returns true if the group is expanded and false if the group is not expanded. IsExpanded also returns false if the DataWindow is not a TreeView DataWindow or the row or groupLevel is invalid.

Usage

A TreeView DataWindow has several TreeView level bands (groups) that can be expanded and collapsed. You can use the IsExpanded method to test whether or not a group in a TreeView DataWindow is expanded.

Examples

The following example performs a test to determine whether the group that contains row 3 at TreeView level 2 is expanded:

```
boolean lb_expanded
lb_expanded = dw_treeview.IsExpanded(3,2)
```

See also

[Expand](#)

[ExpandAll](#)

[ExpandAllChildren](#)

[ExpandLevel](#)

9.104 IsRowSelected (obsolete)

Description

Determines whether a row is selected in a DataWindow. A selected row is highlighted using reverse video.

Obsolete method

IsRowSelected is obsolete and should not be used, because the Web DataWindow technology is obsolete.

Applies to

Table 9.211:

DataWindow type	Method applies to
Web	Client control

Syntax

Web DataWindow client control

```
boolean dwcontrol.IsSelected ( number row )
```

Table 9.212:

Argument	Description
dwcontrol	A reference to a DataWindow control, DataStore, or child DataWindow
row	A value identifying the row you want to test to see if it is selected

Return value

Returns true if row in dwcontrol is selected and false if it is not selected. If row is greater than the number of rows in dwcontrol or is 0 or negative, IsRowSelected also returns false.

Usage

You can call IsRowSelected in a script for the Clicked event to determine whether the row the user clicked was selected. With IsRowSelected and SelectRow, you can highlight a row on the client without causing a postback.

Examples

This code calls IsRowSelected to test whether the clicked row is selected. If the row is selected, SelectRow deselects it; if it is not selected, SelectRow selects it:

```
if (rowNumber > 0)
{
    if (dw_1.IsRowSelected(rowNumber))
        dw_1.SelectRow(rowNumber, false);
    else
        dw_1.SelectRow(rowNumber, true);
}
```

See also

[SelectRow](#)

9.105 IsSelected

Description

Determines whether a row is selected in a DataWindow or DataStore. A selected row is highlighted using reverse video.

Applies to

Table 9.213:

DataWindow type	Method applies to
PowerBuilder	DataWindow control, DataWindowChild object, DataStore object

Syntax

PowerBuilder

```
boolean dwcontrol.IsSelected ( long row )
```

Table 9.214:

Argument	Description
dwcontrol	A reference to a DataWindow control, DataStore, or child DataWindow
row	A value identifying the row you want to test to see if it is selected

Return value

Returns true if row in dwcontrol is selected and false if it is not selected. If row is greater than the number of rows in dwcontrol or is 0 or negative, IsSelected also returns false.

If any argument's value is null, in PowerBuilder and JavaScript the method returns null.

Usage

You can call IsSelected in a script for the Clicked event to determine whether the row the user clicked was selected.

Examples

This code calls IsSelected to test whether the current row in dw_employee is selected. If the row is selected, SelectRow deselects it; if it is not selected, SelectRow selects it:

```
long CurRow
boolean result

CurRow = dw_employee.GetRow()
result = dw_employee.IsSelected(CurRow)

IF result THEN
    dw_employee.SelectRow(CurRow, false)
ELSE
    dw_employee.SelectRow(CurRow, true)
END IF
```

This code uses the NOT operator on the return value of IsSelected to accomplish the same result as the IF/THEN/ELSE statement above:

```
integer CurRow
boolean result
CurRow = dw_employee.GetRow()
dw_employee.SelectRow(CurRow, &
    NOT dw_employee.IsSelected(CurRow))
```

See also

[SelectRow](#)

9.106 LineCount**Description**

Determines the number of lines in an edit control that allows multiple lines.

Applies to

Table 9.215:

DataWindow type	Method applies to
PowerBuilder	DataWindow control

Syntax**PowerBuilder**

```
long dwcontrol.LineCount ( )
```

Table 9.216:

Argument	Description
dwcontrol	A reference to a DataWindow control

Return value

Returns the number of lines in dwcontrol if it succeeds and -1 if an error occurs. If dwcontrol is null, LineCount returns null.

Usage

LineCount counts each visible line, whether it was the result of wrapping or carriage returns.

When you call LineCount for a DataWindow, it reports the number of lines in the edit control over the current row and column. A user can enter multiple lines in a DataWindow column only if it has a text datatype and its box is large enough to display those lines.

The size of the column's box determines the number of lines allowed in the column. When the user is typing, lines do not wrap automatically; the user must press Enter to type additional lines.

PowerBuilder environment

For use with other PowerBuilder controls, see Section 2.4.479, "LineCount" in *PowerScript Reference*.

Examples

If the MultiLineEdit mle_Instructions has 9 lines, this example sets li_Count to 9:

```
integer li_Count
li_Count = mle_Instructions.LineCount()
```

These statements display a MessageBox if fewer than two lines have been entered in the MultiLineEdit mle_Address:

```
integer li_Lines
li_Lines = mle_Address.LineCount()
IF li_Lines < 2 THEN
    MessageBox("Warning", "2 lines are required.")
END IF
```

9.107 ModifiedCount**Description**

Reports the number of rows that have been modified but not updated in a DataWindow or DataStore.

Applies to

Table 9.217:

DataWindow type	Method applies to
PowerBuilder	DataWindow control, DataWindowChild object, DataStore object

Syntax

PowerBuilder

```
long dwcontrol.ModifiedCount ( )
```

Table 9.218:

Argument	Description
dwcontrol	A reference to a DataWindow control, DataStore, or child DataWindow

Return value

Returns the number of rows that have been modified in the primary and filter buffers. Returns 0 if no rows have been modified or if all modified rows have been updated in the database table. Returns -1 if an error occurs.

If dwcontrol is null, in PowerBuilder and JavaScript the method returns null.

Usage

ModifiedCount reports the number of rows that are scheduled to be added or updated in the database table associated with a DataWindow or DataStore. This includes rows in the primary and filter buffers.

A newly inserted row (with a status flag of New!) is not included in the modified count until data is entered in the row (its status flag becomes NewModified!).

The DeletedCount method counts the number of rows in the deleted buffer. The RowCount method counts the total number of rows in the primary buffer.

Examples

If five rows in dw_Employee have been modified but not updated in the associated database table or filtered out of the primary buffer, the following code sets ll_Rows equal to 5:

```
long ll_Rows
ll_Rows = dw_Employee.ModifiedCount()
```

If any rows in dw_Employee have been modified but not updated in the associated database table, this statement updates the database table associated with the dw_employee DataWindow control:

```
IF dw_employee.ModifiedCount() > 0 THEN &
    dw_employee.Update()
```

See also[DeleteRow](#)[DeletedCount](#)[FilteredCount](#)[Retrieve](#)[RowCount](#)[Update](#)**9.108 Modify****Description**

Modifies a DataWindow object by applying specifications, given as a list of instructions, that change the DataWindow object's definition.

You can change appearance, behavior, and database information for the DataWindow object by changing the values of properties. You can add and remove controls from the DataWindow object by providing specifications for the controls.

Applies to**Table 9.219:**

DataWindow type	Method applies to
PowerBuilder	DataWindow control, DataWindowChild object, DataStore object

Syntax**PowerBuilder**

```
string dwcontrol.Modify ( string modstring )
```

Table 9.220:

Argument	Description
dwcontrol	A reference to a DataWindow control, DataStore, or child DataWindow.
modstring	A string whose value is the specifications for the modification. See Usage for appropriate formats.

Return value

Returns the empty string ("") if it succeeds and an error message if an error occurs. The error message takes the form "Line n Column n incorrect syntax". The character columns are counted from the beginning of the compiled text of modstring.

If any argument's value is null, in PowerBuilder and JavaScript the method returns null.

Usage

Modify lets you make many of the same settings in a script that you would make in the DataWindow painter. Typical uses for Modify are:

- Changing colors, text settings, and other appearance settings of controls
- Changing the update status of different tables in the DataWindow so that you can update more than one table
- Modifying the WHERE clause of the DataWindow object's SQL SELECT statement
- Turning on Query mode or Prompt For Criteria so users can specify the data they want
- Changing the status of Retrieve Only As Needed
- Changing the data source of the DataWindow object
- Controlling the Print Preview display
- Deleting and adding controls (such as lines or bitmaps) in the DataWindow object

Each of these uses is illustrated in the Examples for this method.

You can use three types of statements in modstring to modify a DataWindow object.

Table 9.221:

Statement type	What it does
CREATE control (settings)	<p>Adds control to the DataWindow object (such as text, computed fields, and bitmaps). Settings is a list of properties and values using the format you see in exported DataWindow syntax. To create a control, you must supply enough information to define it.</p> <p>Control cannot be an OLE Object control. You cannot add an OLE object to a DataWindow using the Modify method.</p>
DESTROY [COLUMN] control	<p>Removes control from the DataWindow object. When control is a column, specify the keyword COLUMN to remove both the column and the column's data from the buffer.</p>
controlname.property=value	<p>Changes the value of property to value. Properties control the location, color, size, font, and other settings for controlname. When controlname is DataWindow, you can also set properties for database access.</p> <p>Depending on the specific property, value can be:</p> <ul style="list-style-type: none"> • A constant. • A quoted constant. • An expression that consists of a default value followed by a valid DataWindow expression that returns the appropriate datatype for the property. Expressions are described below.

Object names

The DataWindow painter automatically gives names to all controls. In previous versions, it named only columns and column labels, and to describe and modify properties of other controls easily, you had to name them.

Expressions for Modify

When you specify an expression for a DataWindow property, the expression has the format:

```
defaultvalue~tDataWindowpainterexpression
```

Defaultvalue is a value that can be converted to the appropriate datatype for the property. It is followed by a tab (~t).

DataWindowpainterexpression is an expression that can use any DataWindow painter function. The expression must also evaluate to the appropriate datatype for the property. When you are setting a column's property, the expression is evaluated for each row in the DataWindow, which allows you to vary the display based on the data.

A typical expression uses the If function:

```
'16777215 ~t If(emp_status=~'A~',255,16777215)'
```

To use that expression in a modstring, specify the following (entered as a single line):

```
modstring = "emp_id.Color='16777215 ~t  
If(emp_status=~'A~',255,16777215)'"
```

Not all properties accept expressions. For details on each property, see [DataWindow Object Properties](#).

Quotes and tildes

Because Modify's argument is a string, which can include other strings, you need to use special syntax to specify quotation marks. To specify that a quotation mark be used within the string rather than match and end a previously opened quote, you can either specify the other style of quote (single quotes nested with double quotes) or precede the quotation mark with a tilde (~).

For another level of nesting, the string itself must specify ~", so you must include ~~ (which specifies a tilde) followed by ~" (which specifies a quote). For example, another way to type the modstring shown above (entered as a single line) is:

```
modstring = "emp_id.Color=~"16777215 ~t  
If(emp_status=~~"A~~",255,16777215)~"
```

For more information about quotes and tildes, see Section 1.2.1, "Standard datatypes" in *PowerScript Reference*.

Building a modstring with variables

To use variable data in modstring, you can build the string using variables in your program. As you concatenate sections of modstring, make sure quotes are included in the string where necessary. For example, the following code builds a modstring similar to the one above, but the default color value and the two color values in the If function are calculated in the script. Notice how the single quotes around the expression are included in the first and last pieces of the string:

```
red_amount = Integer(sle_1.Text)  
modstring = "emp_id.Color='" + &  
String(RGB(red_amount, 255, 255)) + &
```

```
"~tIf(emp_status=~'A~~'," + &  
String(255, 0, 0)) + &  
", " + &  
String(255, 255, 255)) + &  
")'
```

The following is a simpler example without the If function. You do not need quotes around the value if you are not specifying an expression. Here the String and RGB functions produce in a constant value in the resulting modstring:

```
modstring = "emp_id.Color=" + &  
String(255, 255, 255)
```

You can set several properties with a single call to Modify by including each property setting in modstring separated by spaces. For example, assume the following is entered on a single line in the script editor:

```
rtn = dw_1.Modify("emp_id.Font.Italic=0  
oval_1.Background.Mode=0  
oval_1.Background.Color=255")
```

However, it is easier to understand and debug a script in which each call to Modify sets one property.

Debugging tip

If you build your modstring and store it in a variable that is the argument for Modify, you can look at the value of the variable in Debug mode. When Modify's error message reports a column number, you can count the characters as you look at the compiled modstring.

Modifying a WHERE clause

For efficiency, use Modify instead of SetSQLSelect to modify a WHERE clause. Modify is faster because it does not verify the syntax and does not change the update status of the DataWindow object. However, Modify is more susceptible to user error. SetSQLSelect modifies the syntax twice (when the syntax is modified and when the retrieve executes) and affects the update status of the DataWindow object.

PowerBuilder already includes many functions for modifying a DataWindow. Before using Modify, check the list of DataWindow functions in Part I, "Objects and Controls" to see if a function exists for making the change. Many of these functions are listed in the See also section.

Modify is for modifying the properties of a DataWindow object and its internal controls. You can set properties of the DataWindow control that contains the object using standard dot notation. For example, to put a border on the control, specify:

```
dw_1.Border = true
```

Examples

These examples illustrate the typical uses listed in the Usage section. The examples use PowerScript. For a discussion of Modify and nested quotation marks in JavaScript, see [Accessing DataWindow Object Properties in Code](#)

Changing colors

The effect of setting the Color property depends on the control you are modifying. To set the background color of the whole DataWindow object, use the following syntax:

```
dwcontrolname.Modify ( "DataWindow.Color='long' " )
```

To set the text color of a column or a text control, use similar syntax:

```
dwcontrolname.Modify ( "controlname.Color='long' " )
```

To set the background color of a column or other control, use the following syntax to set the mode and color. Make sure the mode is opaque:

```
dwcontrolname.Modify ( "controlname.Background.Mode= &
'<0 - Opaque, 1 - Transparent>'")
dwcontrolname.Modify ( "controlname.Background.Color='long' " )
```

The following examples use the syntaxes shown above to set the colors of various parts of the DataWindow object.

This statement changes the background color of the DataWindow dw_cust to red:

```
dw_cust.Modify("DataWindow.Color = 255")
```

This statement causes the DataWindow dw_cust to display the text of values in the salary column in red if they exceed 90,000 and in green if they do not:

```
dw_cust.Modify( &
"salary.Color='0~tIf(salary>90000,255,65280)'" )
```

This statement nests one If function within another to provide three possible colors. The setting causes the DataWindow dw_cust to display the department ID in green if the ID is 200, in red if it is 100, and in black if it is neither:

```
dw_cust.Modify("dept_id.Color='0~t " &
+ "If(dept_id=200,65380,If(dept_id=100,255,0))'" )
```

The following example uses a complex expression with nested If functions to set the background color of the salary column according to the salary values. Each portion of the concatenated string is shown on a separate line. See the pseudocode in the comments for an explanation of what the nested If functions do. The example also sets the background mode to opaque so that the color settings are visible.

The example includes error checking, which displays Modify's error message, if any:

```
string mod_string, err
long color1, color2, color3, default_color

err = dw_emp.Modify("salary.Background.Mode=0")
IF err <> "" THEN
    MessageBox("Status", &
        "Change to Background Mode Failed " + err)
    RETURN
END IF

/* Pseudocode for mod_string:
If salary less than 10000, set the background to red.
If salary greater than or equal to 10000 but less than 20000, set the background to
blue.
If salary greater than or equal to 20000 but less than 30000, set the background
color to green.
Otherwise, set the background color to white, which is also the default. */
```

```

color1 = 255 //red
color2 = 16711680 //blue
color3 = 65280 //green
default_color = 16777215//white

mod_string = &
    "salary.Background.Color = '" &
    + String(default_color) &
    + "~tIf(salary < 10000," &
    + String(color1) &
    + ",If(salary < 20000," &
    + String(color2) &
    + ",If(salary < 30000," &
    + String(color3) &
    + "," &
    + String(default_color) &
    + ")))'"

err = dw_emp.Modify(mod_string)
IF err <> "" THEN
    MessageBox("Status", &
        "Change to Background Color Failed " + err)
    RETURN
END IF

```

This example sets the text color of a RadioButton column to the value of color1 (red) if the column's value is Y; otherwise, the text is set to black. As above, each portion of the concatenated string is shown on a separate line:

```

integer color1, default_color
string mod_string, err

color1 = 255 //red
default_color = 0 //black

mod_string = "yes_or_no.Color ='" &
    + String(default_color) &
    + "~tif(yes_or_no=~'Y~'," &
    + String(color1) &
    + "," &
    + String(default_color) &
    + "}'"

err = dw_emp.Modify(mod_string)
IF err <> "" THEN
    MessageBox("Status", &
        "Modify to Text Color " &
        + "of yes_or_no Failed " + err)
    RETURN
END IF

```

Changing displayed text

To set the text of a text control, the next two examples use this syntax:

```
dwcontrolname.Modify ( "textcontrolname.Text='string' " )
```

This statement changes the text in the text control Dept_t in the DataWindow dw_cust to Dept:

```
dw_cust.Modify("Dept_t.Text='Dept' ")
```

This statement sets the displayed text of dept_t in the DataWindow dw_cust to Marketing if the department ID is greater than 201; otherwise it sets the text to Finance:

```
dw_cust.Modify("dept_t.Text='none~t " + &
    "If(dept_id > 201,~'Marketing~',~'Finance~')'")
```

Updating more than one table

An important use of Modify is to make it possible to update more than one table from one DataWindow object. The following script updates the table that was specified as updatable in the DataWindow painter; then it uses Modify to make the other joined table updatable and to specify the key column and which columns to update. This technique eliminates the need to create multiple DataWindow objects or to use embedded SQL statements to update more than one table.

In this example, the DataWindow object joins two tables: department and employee. First department is updated, with status flags not reset. Then employee is made updatable and is updated. If all succeeds, the Update command resets the flags and COMMIT commits the changes. Note that to make the script repeatable in the user's session, you must add code to make department the updatable table again:

```
integer rc
string err

/* The SELECT statement for the DataWindow is:
SELECT department.dept_id, department.dept_name,
employee.emp_id, employee.emp_fname,
employee.emp_lname FROM department, employee ;
*/

// Update department, as set up in the DW painter
rc = dw_1.Update(true, false)

IF rc = 1 THEN
    //Turn off update for department columns.
    dw_1.Modify("department_dept_name.Update = No")
    dw_1.Modify("department_dept_id.Update = No")
    dw_1.Modify("department_dept_id.Key = No")

    // Make employee table updatable.
    dw_1.Modify( &
        "DataWindow.Table.UpdateTable = ~"employee~")

    //Turn on update for desired employee columns.
    dw_1.Modify("employee_emp_id.Update = Yes")
    dw_1.Modify("employee_emp_fname.Update = Yes")
    dw_1.Modify("employee_emp_lname.Update = Yes")
    dw_1.Modify("employee_emp_id.Key = Yes")

    //Then update the employee table.
    rc = dw_1.Update()
    IF rc = 1 THEN
        COMMIT USING SQLCA;
    ELSE
        ROLLBACK USING SQLCA;
        MessageBox("Status", &
            + "Update of employee table failed. " &
            + "Rolling back all changes.")
    END IF
ELSE
    ROLLBACK USING SQLCA;
    MessageBox("Status", &
        + "Update of department table failed. " &
        + "Rolling back changes to department.")
END IF
```


Adding a WHERE clause

The following scripts dynamically add a WHERE clause to a DataWindow object that was created with a SELECT statement that did not include a WHERE clause. (Since this example appends a WHERE clause to the original SELECT statement, additional code would be needed to remove a where clause from the original SELECT statement if it had one.) This technique is useful when the arguments in the WHERE clause might change at execution time.

The original SELECT statement might be:

```
SELECT employee.emp_id, employee.l_name FROM employee
```

Presumably, the application builds a WHERE clause based on the user's choices. The WHERE clause might be:

```
WHERE emp_id > 40000
```

The script for the window's Open event stores the original SELECT statement in `original_select`, an instance variable:

```
dw_emp.SetTransObject(SQLCA)
original_select = &
    dw_emp.Describe("DataWindow.Table.Select")
```

The script for a `CommandButton`'s `Clicked` event attaches a WHERE clause stored in the instance variable `where_clause` to `original_select` and assigns it to the DataWindow's `Table.Select` property:

```
string rc, mod_string

mod_string = "DataWindow.Table.Select=" &
    + original_select + where_clause + ""
rc = dw_emp.Modify(mod_string)
IF rc = "" THEN
    dw_emp.Retrieve( )
ELSE
    MessageBox("Status", "Modify Failed" + rc)
END IF
```

Quotes inserted in the DataWindow painter

For SQL Anywhere and Oracle, the DataWindow painter puts double quotes around the table and column name (for example, `SELECT "EMPLOYEE"."EMP_LNAME"`). Unless you have removed the quotes, the sample WHERE clause must also use these quotes. For example:

```
where_clause = &

" where ~~~"EMPLOYEE~~~".~~~"SALARY~~~" > 40000"
```

Query mode

Query mode provides an alternate view of a DataWindow in which the user specifies conditions for selecting data. PowerBuilder builds the WHERE clause based on the specifications. When the user exits query mode, you can retrieve data based on the modified SELECT statement.

In this example, a window that displays a DataWindow control has a menu that includes a selection called Select Data. When the user chooses it, its script displays the DataWindow control in query mode and checks the menu item. When the user chooses it again, the script turns query mode off and retrieves data based on the new WHERE clause specified by the user through query mode. The script also makes a CheckBox labeled Sort data visible, which turns query sort mode on and off.

The script for the Select Data menu item is:

```
string rtn
IF m_selectdata.Checked = false THEN
    // Turn on query mode so user can specify data
    rtn = dw_1.Modify("DataWindow.QueryMode=YES")

    IF rtn = "" THEN
        // If Modify succeeds, check menu to show
        // Query mode is on and display sort CheckBox
        This.Check()
        ParentWindow.cbx_sort.Show()
    ELSE
        MessageBox("Error", &
            "Can't access query mode to select data.")
    END IF
ELSE
    // Turn off Query mode and retrieve data
    // based on user's choices
    rtn = dw_1.Modify("DataWindow.QueryMode=NO")

    IF rtn = "" THEN
        // If Modify succeeds, uncheck menu to show
        // Query mode is off, hide the sort
        // CheckBox, and retrieve data
        This.UnCheck()
        ParentWindow.cbx_sort.Hide()
        dw_1.AcceptText()
        dw_1.Retrieve()
    ELSE
        MessageBox("Error", &
            "Failure exiting query mode.")
    END IF
END IF
```

A simple version of the script for Clicked event of the Sort data CheckBox follows. You could add code as shown in the Menu script above to check whether Modify succeeded:

```
IF This.Checked = true THEN
    dw_1.Modify("DataWindow.QuerySort=YES")
ELSE
    dw_1.Modify("DataWindow.QuerySort=NO")
END IF
```

For details on how you or the user specifies information in query mode, see Section 1.3.4, “Providing query ability to users” in *DataWindow Programmers Guide*.

DataWindow presentation styles

You cannot use QueryMode and QuerySort with DataWindow objects that use any of the following presentation styles: N-Up, Label, Crosstab, RichText, and Graph.

Prompt for criteria

is another way of letting the user specify retrieval criteria. You set it on a column-by-column basis. When a script retrieves data, PowerBuilder displays the Specify Retrieval Criteria window, which gives the user a chance to specify criteria for all columns that have been set.

In a script that is run before you retrieve data, for example, in the Open event of the window that displays the DataWindow control, the following settings would make the columns emp_name, emp_salary, and dept_id available in the Specify Retrieval Criteria dialog when the Retrieve method is called:

```
dw_1.Modify("emp_name.Criteria.Dialog=YES")
dw_1.Modify("emp_salary.Criteria.Dialog=YES")
dw_1.Modify("dept_id.Criteria.Dialog=YES")
```

There are other Criteria properties that affect both query mode and prompt for criteria. For details, see the Criteria DataWindow object property in [DataWindow Object Properties](#)

Retrieve as needed

In this example, the DataWindow object has been set up with Retrieve Only As Needed selected. When this is on, PowerBuilder retrieves enough rows to fill the DataWindow, displays them quickly, then waits for the user to try to display additional rows before retrieving more rows. If you want the fast initial display but do not want to leave the cursor open on the server, you can turn off Retrieve Only As Needed with Modify.

After you have determined that enough rows have been retrieved, the following code in the RetrieveRow event script changes the Retrieve.AsNeeded property, which forces the rest of the rows to be retrieved:

```
dw_1.Modify("DataWindow.Retrieve.AsNeeded=NO")
```

Changing the data source

This example changes the data source of a DataWindow object from a SQL SELECT statement to a stored procedure. This technique works only if the result set does not change (that is, the number, type, and order of columns is the same for both sources).

When you define the DataWindow object, you must define all possible DataWindow retrieval arguments. In this example, the SELECT statement defined in the painter has three arguments, one of type string, one of type number, and one of type date. The stored procedure has two arguments, both of type string. So, in the painter, you need to define four DataWindow arguments, two of type string, one of type number, and one of type date. (Note that you do not have to use all the arguments you define.)

```
string rc, mod_string, name_str = "Watson"
integer dept_num = 100

// Remove the DataWindow's SELECT statement
Dw_1.Modify("DataWindow.Table.Select = ''")

// Set the Procedure property to your procedure
mod_string = "DataWindow.Table.Procedure = &
'1 execute dbo.emp_arg2:1 @dept_id_arg &
= :num_arg1, @lname_arg = :str_arg1'"
rc = dw_1.Modify(mod_string)

// If change is accepted, retrieve data
IF rc = "" THEN
    dw_1.Retrieve(dept_num, name_str)
ELSE
```

```

    MessageBox("Status", &
        "Change to DW Source Failed " + rc)
END IF

```

Replacing a DropDownDataWindow object

Suppose you use Modify to replace one DropDownDataWindow object with another; for example:

```

dw_parent.Modify(dept_id.dddw.name= &
d_dddw_empsal_by_dept )

```

PowerBuilder compares the two DataWindow objects and reuses the original result set if the number of columns and their datatypes match. The display and data value column names must exist in the data object SQL statements for both objects. If there are any differences, PowerBuilder will re-retrieve the data.

Deleting and adding controls in the DataWindow object

This statement deletes a bitmap control called logo from the DataWindow dw_cust:

```

dw_cust.Modify("destroy logo")

```

This statement deletes the column named salary from the DataWindow dw_cust. Note that this example includes the keyword column, so the column in the DataWindow and the data are both deleted:

```

dw_cust.Modify("destroy column salary")

```

This example adds a rectangle named rect1 to the header area of the DataWindow dw_cust (with the value of modstring entered as a single line):

```

string modstring
modstring = 'create rectangle(Band=background X="206" Y="6" height="69"
width="1363" brush.hatch="6" brush.color="12632256" pen.style="0" pen.width="14"
pen.color="268435584" background.mode="2" background.color="-1879048064"
name=rect1 )'
dw_cust.Modify(modstring)

```

These statements add a bitmap named logo to the header area for grouping level 1 in the DataWindow dw_cust (with the value of modstring entered as a single line):

```

string modstring
modstring = 'create bitmap(band=header x="37" y="12" height="101" width="1509"
filename="C:\PB\BEACH.BMP" border="0" name=bmp1 )'
dw_cust.Modify(modstring)

```

Syntax for creating controls

To create a control, you must provide DataWindow syntax. The easiest way to get correct syntax for all the necessary properties is to paint the control in the DataWindow painter and export the syntax to a file. Then you make any desired

changes and put the syntax in your script, as shown above. This is the only way to get accurate syntax for complex controls like graphs.

See also

[Describe](#)

[Reset](#)

[SetBorderStyle](#)

[SetDataStyle](#)

[SetFilter](#)

[SetFormat](#)

[SetPosition](#)

[SetRowFocusIndicator](#)

[SetSeriesStyle](#)

[SetSQLPreview](#)

[SetSQLSelect](#)

[SetTabOrder](#)

[SetValidate](#)

9.109 Move

Description

Moves a control or object to another position relative to its parent window, or for some window objects, relative to the screen.

Applies to

Table 9.222:

DataWindow type	Method applies to
PowerBuilder	DataWindow control

Syntax

PowerBuilder

```
integerobjectname.Move ( integer x, integer y )
```

Table 9.223:

Argument	Description
objectname	A reference to an object or control you want to move
x	The x coordinate of the new location in PowerBuilder units

Argument	Description
y	The y coordinate of the new location in PowerBuilder units

Return value

Returns 1 if it succeeds and -1 if an error occurs or if objectname is a maximized window.

If any argument's value is null, Move returns null.

Usage

Inherited from system window object. For information, see Section 2.4.524, "Move" in *PowerScript Reference*.

9.110 OLEActivate**Description**

Activates Object Linking and Embedding (OLE) for the specified object and sends the specified command verb to the OLE server application.

Applies to**Table 9.224:**

DataWindow type	Method applies to
PowerBuilder	DataWindow control, DataWindowChild object

Syntax**PowerBuilder**

```
integer dwcontrol.OLEActivate ( long row, integer column, integer verb )
integer dwcontrol.OLEActivate ( long row, string column, integer verb )
```

Table 9.225:

Argument	Description
dwcontrol	A reference to a DataWindow control or child DataWindow.
row	A long identifying the row location of the Database Blob control in the DataWindow object.
column	The column location of the Database Blob. Column can be a column number (integer) or a column name (string).
verb	Usually 0, but the verb is dependent on the OLE server.

Return value

Returns 1 if it succeeds and -1 if an error occurs. If any argument's value is null, OLEActivate returns null.

Usage

The user can activate OLE by double-clicking an OLE blob column in a DataWindow. Use `OLEActivate` when you want to activate OLE in response to some other event or action -- for example, when the user clicks a button.

The verb you specify determines what action occurs when the OLE server application is invoked. The default verb (0) generally means you want to edit the document. Each OLE application has its own particular set of supported verbs. To find out what verbs the application supports, consult the documentation for the application, or look for the application name in the `HKEY_LOCAL_MACHINE\SOFTWARE\Classes` section of the Windows registry and find its `Protocol\StdFileEditing\Verb` key. For example, the `AVIFile` class has three verbs, 0, 1, and 2, for Play, Edit, and Open.

Data for an OLE application is stored in the database as a Binary/Text Large Object (blob). In SQL Anywhere, the datatype of the database column is long binary. To make the blob accessible to users, use the DataWindow painter to set up the blob column. In the painter, you add an OLE Database Blob object (called `TableBlob` in the DataWindow object properties) to the DataWindow object and specify the OLE server application in the Database Binary/Text Large Object window.

For setup details, see Section 5.3, "Using OLE in an Application" in *Application Techniques*.

Examples

This statement activates OLE for the Database Blob control in row 5 of the salary column in DataWindow `dw_emp_data`. The verb is 0:

```
dw_emp_data.OLEActivate(5, "salary", 0)
```

See also

Activate in Section 2.4.4, "Activate" in *PowerScript Reference*

9.111 OneTrip (obsolete)

Description

Generates HTML syntax for the Web DataWindow after setting values that refresh the state of the server component so that it is in sync with user actions.

Obsolete method

OneTrip is obsolete and should not be used, because the Web DataWindow technology is obsolete.

Applies to

Table 9.226:

DataWindow type	Method applies to
Web	Server component

Syntax

Web DataWindow server component

```
string dwcomponent.OneTrip ( string htmlobjectname, string browser,
    string selflink, string selflinkargs, string action, string context )
```

```
string dwcomponent.OneTripEx ( string htmlobjectname,
    string retrievalargs, string browser, string selflink,
    string selflinkargs, string action, string context )
```

Table 9.227:

Argument	Description
dwcomponent	A reference to a Web DataWindow server component
htmlobjectname	A string specifying a name used in generated code for the Web DataWindow client control, page parameters, and client side events. You must specify a unique object name when there is more than one Web DataWindow on a Web page.
retrievalargs	A string that contains the values of the retrieval arguments expected by the DataWindow object associated with the server component (see Usage note).
browser	A string identifying the browser and version. The value should match the browser information passed to the Web server in the HTTP header. The corresponding server variable is HTTP_USER_AGENT. Sets the value of the HTMLGen.Browser property for the DataWindow object associated with the server component. For information on recognized browsers, see HTMLGen.property .
selflink	The URL for the current page. It cannot include parameters. Parameters from selflinkargs may be added when HTML is generated. The server component uses SelfLink to generate URLs for navigation buttons that obtain additional rows from the result set. Sets the value of the HTMLGen.SelfLink property for the DataWindow object associated with the server component.
selflinkargs	A string in the form: <pre>argname='exp'{ argname = 'exp' } ...</pre> Argname is an argument passed to the server. Exp is a DataWindow expression whose value is a string. The DataWindow in the server component evaluates it, converts it using URL encoding, and includes in the selflinkargs string. Sets the value of the HTMLGen.SelfLinkArgs property for the DataWindow object associated with the server component.
action	A string describing an action associated with a button click or method call in a Web DataWindow client control on a Web page. The value of action is stored in a page parameter called htmlobjectname_action.
context	A string describing the context of action in the Web DataWindow client control. The string is generated by a Web DataWindow script and the value is stored in a page parameter called htmlobjectname_context. The format is not documented and subject to change.

Return value

Returns the generated HTML if it succeeds and an error message if any of the requested settings fails.

Usage

OneTrip and OneTripEx perform the tasks of SetSelfLink, SetBrowser, Retrieve, SetAction, and Generate in a single method. They are meant to be used with a server component that has been previously configured with a DataWindow definition and transaction information. Using OneTrip produces maximum performance for the Web DataWindow client while allowing the server component to remain stateless.

Use OneTripEx instead of OneTrip if you need to specify retrieval arguments. The retrievalargs string in the OneTripEx syntax has the format:

```
value1 \n value2 \n value3... \n value16
```

The values of the retrieval arguments must be separated by newline characters (\n) and individual values cannot contain newline characters as part of the value. The Web DataWindow supports up to 16 retrieval arguments.dd

You can specify an array for the value of a retrieval argument by separating the array values with a tab character (\t). For example, if the DataWindow expected an array for the second retrieval argument, the syntax would be:

```
value1 \n value2a\t value2b \t value2c \n value3...
```

If the script gets the values for the retrieval arguments from page parameters, you must also specify the retrieval arguments as selflinkargs expressions, so that the values will be available as page parameters when the page is reloaded.

The evaluated selflinkargs expressions are included in the generated HTML as hidden fields and are available to server-side scripts as page parameters. You can use the arguments to supply information that the server component needs to render additional pages of the result set, such as retrieval arguments. Selflinkargs can also be used to keep login information or other data available that was passed in the original call to the page.

For information on quotation marks and other formatting for the expression, see the [SetSelfLink](#) method.

Examples

This Web Target server-side script uses OneTripEx to get generated HTML. The DataWindow object expects two retrieval arguments, an employee ID and a salary:

```
function GetParam( envparam ) {
    if( exists(document.value[envparam] ) ) {
        return document.value[envparam];
    }
    return "";
};

// Create component on server
dwMine = java.CreateComponent("DataWindow/MyVersion",
    "iiop://testMachine:9000", "jagadmin", "",
    "DataWindow/HTMLGenerator110");

// Get information about user's latest button click
var action = psDocument.GetParam("dwMine_action");
var context = psDocument.GetParam("dwMine_context");
```

```
// Get browser and hyperlinking information
var browser = psDocument.GetEnv("HTTP_USER_AGENT");
var selfLink = psDocument.GetEnv("SCRIPT_NAME");

// Get retrieval arguments from page parameters
var args = "" + psDocument.GetParam("arg_empid") + "\n" +
  psDocument.GetParam("arg_salary");

// Set up page parameters for reloaded page
linkargs = "arg_empid =\'\" +
  psDocument.GetParam("arg_empid") + "\"\'"
  + "|arg_salary= \'\" +
  psDocument.GetParam("arg_salary") + "\"\'";

// Include the generated HTML in the Web page
psDocument.Write(dwMine.OneTripEx("dwMine", args, browser, selfLink, linkargs,
  action, context) );
```

See also[Generate](#)[Retrieve](#)[SetAction](#)[SetBrowser](#)[SetSelfLink](#)

9.112 Paste

Description

Inserts (pastes) the contents of the clipboard into the specified control. If no text is selected in the control, the text on the clipboard is pasted at the insertion point. If text is selected, Paste replaces the selected text with the text on the clipboard.

Applies to**Table 9.228:**

DataWindow type	Method applies to
PowerBuilder	DataWindow control

Syntax**PowerBuilder**

```
long dwcontrol.Paste ( )
```

Table 9.229:

Argument	Description
dwcontrol	A reference to a DataWindow control. Text is pasted into the edit control over the current row and column.

Return value

Returns the number of characters that were pasted into the edit control for `dwcontrol`. If nothing has been cut or copied (the clipboard is empty), Paste does not change the contents of the edit control and returns 0. If the clipboard contains nontext data (for example, a bitmap or OLE object) and the control cannot accept that data, Paste does not change the contents and returns 0.

If `dwcontrol` is null, in PowerBuilder and JavaScript the method returns null.

Usage

The text is pasted into the edit control over the current row and column. If the clipboard contains more text that is allowed for that column, the text is truncated. If the clipboard text does not match the column's datatype, all the text is truncated, so that any selected text is replaced with an empty string.

To insert a specific string in `dwcontrol` or to replace selected text with a specific string, use the `ReplaceText` method.

PowerBuilder environment

For use with other PowerBuilder controls, see Section 2.4.553, "Paste" in *PowerScript Reference*.

Examples

If the clipboard contains "Proposal good for 90 days" and no text is selected in the edit control of `dw_rpt`, this statement pastes "Proposal good for 90 days" at the insertion point in the edit control and returns 25:

```
dw_rpt.Paste()
```

If the clipboard contains the string "Final Edition", the edit control in `dw_rpt` contains "This is a Preliminary Draft", and the text in edit control is selected, this statement deletes "This is a Preliminary Draft", replaces it with "Final Edition", and returns 13:

```
dw_rpt.Paste()
```

See also

[Copy](#)

[Cut](#)

[ReplaceText](#)

9.113 PasteRTF

Description

Pastes rich text data from a string into a DataWindow control or DataStore object.

Applies to

Table 9.230:

DataWindow type	Method applies to
PowerBuilder	DataWindow control, DataStore object

Syntax

PowerBuilder

```
long rtename.PasteRTF ( string richtextstring {, Band band } )
```

Table 9.231:

Argument	Description
rtename	A reference to a DataWindow control or DataStore object. The DataWindow object in the DataWindow control or DataStore must be a RichTextEdit DataWindow.
richtextstring	A string whose value is data with rich text formatting.
band (optional)	A value specifying the band into which the rich text data is pasted. For a list of valid values, see Band . The default is the band that contains the insertion point.

Return value

Returns -1 if an error occurs. If richtextstring is null, PasteRTF returns null.

Usage

A DataWindow in the RTE presentation style has only three bands. There are no summary or trailer bands and there are no group headers and footers.

PowerBuilder RichText Edit control

You can use the same syntax with any PowerBuilder RichTextEdit control. See Section 2.4.555, “PasteRTF” in *PowerScript Reference*.

Examples

This statement pastes rich text in the string ls_richtext into the header of the RichTextEdit rte_message:

```
string ls_richtext
rte_message.PasteRTF(ls_richtext, Header!)
```

See also

[CopyRTF](#)

9.114 PointerX

Description

Determines the distance of the pointer from the left edge of the specified object.

Applies to

Table 9.232:

DataWindow type	Method applies to
PowerBuilder	DataWindow control

Syntax

PowerBuilder

```
integer objectname.PointerX ( )
```

Table 9.233:

Argument	Description
objectname	The name of the control or window for which you want the pointer's distance from the left edge. If you do not specify objectname, PointerX reports the distance from the left edge of the current sheet or window.

Return value

Returns the pointer's distance from the left edge of objectname in PowerBuilder units if it succeeds and -1 if an error occurs.

Usage

Inherited from DragObject. For information, see Section 2.4.564, “PointerX” in *PowerScript Reference*.

9.115 PointerY

Description

Determines the distance of the pointer from the top of the specified object.

Applies to

Table 9.234:

DataWindow type	Method applies to
PowerBuilder	DataWindow control

Syntax

PowerBuilder

```
integer objectname.PointerY ( )
```

Table 9.235:

Argument	Description
objectname	The name of the control or window for which you want the pointer's distance from the top. If you do not specify objectname, PointerY reports the distance from the top of the current sheet or window.

Return value

Returns the pointer's distance from the top of objectname in PowerBuilder units if it succeeds and -1 if an error occurs.

If objectname is null, PointerY returns null.

Usage

Inherited from DragObject. For information, see Section 2.4.565, “PointerY” in *PowerScript Reference*.

9.116 Position

Reports the position of the insertion point in a DataWindow.

Table 9.236:

To report	Use
The position of the insertion point in a DataWindow that does not have a RichTextEdit presentation style	Syntax 1
The position of the insertion point or the start and end of selected text in a DataWindow whose object has the RichTextEdit presentation style	Syntax 2

9.116.1 Syntax 1 For DataWindows with standard presentation styles

Description

Determines the position of the insertion point in an edit control.

Applies to

Table 9.237:

DataWindow type	Method applies to
PowerBuilder	DataWindow control

Syntax

PowerBuilder

```
long editname.Position ( )
```

Table 9.238:

Argument	Description
editname	A reference to a DataWindow control in which you want to find the location of the insertion point

Return value

Returns the location of the insertion point in editname if it succeeds and -1 if an error occurs. If editname is null, Position returns null.

Usage

Position reports the position number of the character immediately following the insertion point. For example, Position returns 1 if the cursor is at the beginning of editname. If text is selected in editname, Position reports the number of the first character of the selected text.

Position reports the insertion point's position in the edit control over the current row and column.

PowerBuilder environment

For use with other PowerBuilder controls, see Section 2.4.571, “Position” in *PowerScript Reference*.

Examples

If mle_EmpAddress contains Boston Street, the cursor is immediately after the n in Boston, and no text is selected, this statement returns 7:

```
mle_EmpAddress.Position()
```

If mle_EmpAddress contains Boston Street and Street is selected, this statement returns 8 (the position of the S in Street):

```
mle_EmpAddress.Position()
```

See also

[SelectedLine](#)

[SelectedStart](#)

9.116.2 Syntax 2 For DataWindows with RichTextEdit presentation styles

Description

Determines the line and column position of the insertion point or the start and end of selected text in a RichTextEdit control.

Applies to

Table 9.239:

DataWindow type	Method applies to
PowerBuilder	DataWindow control

Syntax

PowerBuilder

```
band rtename.Position ( long fromline, long fromchar {, long toline, long tochar } )
```

Table 9.240:

Argument	Description
rtename	A reference to a DataWindow control. The DataWindow object in the DataWindow control must be a RichTextEdit DataWindow.
fromline	A variable in which you want to save the number of the line where the insertion point or the start of the selection is.

Argument	Description
fromchar	A variable in which you want to save the number in the line of the first character in the selection or after the insertion point.
toline (optional)	A variable in which you want to save the number of the line where the selection ends.
tochar (optional)	A variable in which you want to save the number in the line of the character before which the selection ends.

Return value

Returns the band containing the selection or insertion point. The returned value is a value of the Band enumerated datatype (Detail!, Header!, or Footer!).

Usage

Position reports the position of the insertion point if you omit the toline and tochar arguments. If text is selected, the insertion point can be at the beginning or the end of the selection. For example, if the user dragged down to select text, the insertion point is at the end.

If there is a selection, a character argument can be set to 0 to indicate that the selection begins or ends at the start of a line, with nothing else selected on that line. When the user drags up, the selection can begin at the start of a line and fromchar is set to 0. When the user drags down, the selection can end at the beginning of a line and tochar is set to 0.

Selection or insertion point

To find out whether there is a selection or just an insertion point, specify all four arguments. If toline and tochar are set to 0, then there is no selection, only an insertion point. If there is a selection and you want the position of the insertion point, you will have to call Position again with only two arguments. This difference is described next.

The position of the insertion point and end of selection can differ

When reporting the position of selected text, the positions are inclusive -- Position reports the first line and character and the last line and character that are selected. When reporting the position of the insertion point, Position identifies the character just after the insertion point. Therefore, if text is selected and the insertion point is at the end, the values for the insertion point and the end of the selection differ.

To illustrate, suppose the first four characters in line 1 are selected and the insertion point is at the end. If you request the position of the insertion point:

```
rte_1.Position(ll_line, ll_char)
```

Then:

- ll_line is set to 1
- ll_char is set to 5, the character following the insertion point

If you request the position of the selection:

```
rte_1.Position(ll_startline, ll_startchar, &
```



```
ll_endline, ll_endchar)
```

- ll_startline and ll_startchar are both set to 1
- ll_endline is 1 and ll_endchar is set to 4, the last character in the selection

Passing values to SelectText

Because values obtained with Position provide more information than simply a selection range, you cannot pass the values directly to SelectText. In particular, 0 is not a valid character position when selecting text, although it is meaningful in describing the selection.

Examples

This example calls Position to get the band and the line and column values for the beginning and end of the selection. The values are converted to strings and displayed in the StaticText st_status:

```
integer li_rtn
long ll_startline, ll_startchar
long ll_endline, ll_endchar
string ls_s, ls_band
band l_band

// Get the band and start and end of the selection
l_band = rte_1.Position(ll_startline, ll_startchar, &
    ll_endline, ll_endchar)

// Convert position values to strings
ls_s = "Start line/char: " + String(ll_startline) &
    + ", " + String(ll_startchar)
ls_s = ls_s + " End line/char: " &
    + String(ll_endline) + ", " + String(ll_endchar)

// Convert Band datatype to string
CHOOSE CASE l_band
    CASE Detail!
        ls_band = " Detail"
    CASE Header!
        ls_band = " Header"
    CASE Footer!
        ls_band = " Footer"
    CASE ELSE
        ls_band = " No band"
END CHOOSE
ls_s = ls_s + ls_band

// Display the information
st_status.Text = ls_s
```

This example extends the current selection down 1 line. It takes into account whether there is an insertion point or a selection, whether the insertion point is at the beginning or end of the selection, and whether the selection ends at the beginning of a line:

```
integer rtn
long ll, c1, l2, c2, linsert, cinsert
long llselect, clselect, l2select, c2select

// Get selection start and end
rte_1.Position(ll, c1, l2, c2)
// Get insertion point
rte_1.Position(linsert, cinsert)
```

```
IF l2 = 0 and c2 = 0 THEN //insertion point
    l1select = linsert
    c1select = cinsert
    l2select = l1select + 1 // Add 1 to end line
    c2select = c1select

ELSEIF l2 > l1 THEN // Selection, ins pt at end
    IF c2 = 0 THEN // End of selection (ins pt)
        // at beginning of a line (char 0)
        c2 = 999 // Change to end of prev line
        l2 = l2 - 1
    END IF

    l1select = l1
    c1select = c1
    l2select = l2 + 1 // Add 1 to end line
    c2select = c2

ELSEIF l2 < l1 THEN // selection, ins pt at start
    IF c1 = 0 THEN // End of selection (not ins pt)
        // at beginning of a line
        c1 = 999 // Change to end of prev line
        l1 = l1 - 1
    END IF
    l1select = l2
    c1select = c2
    l2select = l1 + 1 // Add 1 to end line
    // (start of selection)
    c2select = c1

ELSE // l1 = l2, selection on one line
    l1select = l1
    l2select = l2 + 1 // Add 1 to line
    IF c1 < c2 THEN // ins pt at end
        c1select = c1
        c2select = c2
    ELSE // c1 > c2, ins pt at start
        c1select = c2
        c2select = c1
    END IF
END IF

// Select the extended selection
rtn = rte_1.SelectText( l1select, c1select, &
    l2select, c2select )
```

For an example of selecting each word in a RichTextEdit control, see [SelectTextWord](#).

See also

[SelectedLine](#)

[SelectedStart](#)

[SelectText](#)

9.117 PostEvent

Description

Adds an event to the end of the event queue of an object.

Applies to

Table 9.241:

DataWindow type	Method applies to
PowerBuilder	DataWindow control

Syntax**PowerBuilder**

```
boolean objectname.PostEvent ( TrigEvent event { , long word, long long } )
boolean objectname.PostEvent ( TrigEvent event { , long word, string long } )
```

Table 9.242:

Argument	Description
objectname	The name of any PowerBuilder object or control (except an application) that has events associated with it.
event	A value of the TrigEvent enumerated datatype that identifies a PowerBuilder event (for example, Clicked!, Modified!, or DoubleClicked!) or a string whose value is the name of an event. The event must be a valid event for objectname and a script must exist for the event in objectname.
word (optional)	A value to be stored in the WordParm property of the system's Message object. If you want to specify a value for long, but not for word, enter 0. (For cross-platform compatibility, WordParm and LongParm are both longs.)
long (optional)	A value that you want to store in the LongParm property of the system's Message object. When you specify a string, a pointer to the string is stored in the LongParm property, which you can access with the String function (see Usage).

Return value

Returns true if it is successful and false if the event is not a valid event for objectname or no script exists for the event in objectname.

If any argument's value is null, PostEvent returns null.

Usage

Inherited from PowerObject. For information, see Section 2.4.576, "PostEvent" in *PowerScript Reference*.

9.118 Print

Sends data to the current printer (or spooler, if the user has a spooler set up). There are two syntaxes that you can use with DataWindows:

Table 9.243:

To	Use
Send the contents of a DataWindow control or DataStore to the printer as a print job.	Syntax 1
Include a visual object, such as a window or a graph control, in a print job. For the PowerBuilder environment only.	Syntax 2

To	Use
For a description of PowerBuilder system print commands, see Part I, “PowerScript Reference”.	

9.118.1 Syntax 1 For printing a single DataWindow or DataStore

Description

Sends the contents of a DataWindow control or DataStore object to the printer as a print job.

Applies to

Table 9.244:

DataWindow type	Method applies to
PowerBuilder	DataWindow control, DataWindowChild object, DataStore object

Syntax

PowerBuilder

```
integer dwcontrol.Print ( { boolean canceldialog {, showprintdialog } } )
```

Table 9.245:

Argument	Description
dwcontrol	The name of the DataWindow control, DataStore, or child DataWindow that contains the information to be printed.
canceldialog (optional)	<p>A boolean value indicating whether you want to display a nonmodal dialog that allows the user to cancel printing. Values are:</p> <ul style="list-style-type: none"> • True -- (Default) Display the dialog. • false -- Do not display the dialog. <p>Working with DataStore objects</p> <p>When working with DataStores, the canceldialog argument must always be set to false.</p>
showprintdialog (optional)	<p>A boolean value indicating whether you want to display the system Print dialog box. Values are:</p> <p>True -- Display the dialog box</p> <p>false -- (default) Do not display the dialog box</p> <p>Working with DataStore objects</p> <p>When working with DataStores, the showprintdialog argument must always be set to false.</p>

Return value

Returns 1 if it succeeds and -1 if an error occurs. If any argument's value is null, Print returns null.

Usage

Printed output uses the same fonts and layout that appear on screen for the DataWindow object.

When the DataWindow object's presentation style is RichTextEdit, each row begins a new page in the printed output.

PowerBuilder environment

PowerBuilder manages print jobs by opening the job, sending data, and closing the job. When you use Syntax 1, print job management happens automatically. You do not need to use the PrintOpen and PrintClose functions.

Use Syntax 1 to print the contents of a DataWindow object. The Print method prints all the rows that have been retrieved. To print several DataWindows as a single job, do not use Print. Instead, open the print job with PrintOpen, call the PowerScript system function PrintDataWindow for each DataWindow, and close the job.

Events for DataWindow printing

When you use Print for DataWindow controls or DataStores, it triggers a PrintStart event just before any data is sent to the printer (or spooler), a PrintPage event for each page break, and a PrintEnd event when printing is complete.

The PrintPage event has return codes that let you control whether the page about to be formatted is printed. You can skip the upcoming page by returning a value of 1 in the PrintPage event.

Examples

The following statements are equivalent. Each sends the contents of dw_employee to the current printer. The Cancel dialog box displays, allowing the user to cancel the printing, but the Print dialog box does not:

```
dw_employee.Print()  
dw_employee.Print(true)  
dw_employee.Print(true, false)
```

This statement sends the contents of dw_employee to the current printer. The Print dialog box displays but the Cancel dialog box does not:

```
dw_employee.Print(false, true)
```

See also

PrintDataWindow in Section 2.4.584, "PrintDataWindow" in *PowerScript Reference*

9.118.2 Syntax 2 For printing a visual object in a print job

Description

Includes a visual object, such as a window or a graph control, in a print job that you have started with the PrintOpen function.

Applies to

Table 9.246:

DataWindow type	Method applies to
PowerBuilder	DataWindow control

Syntax**PowerBuilder**

```
integer objectname.Print ( long printjobnumber, integer x, integer y {, integer
width, integer height } )
```

Table 9.247:

Argument	Description
objectname	The name of the object that you want to print. The object must either be a window or an object whose ancestor type is DragObject, which includes all the controls that you can place in a window.
printjobnumber	The number the PrintOpen function assigns to the print job
x	An integer whose value is the x coordinate on the page of the left corner of the object, in thousandths of an inch.
y	An integer whose value is the y coordinate on the page of the left corner of the object, in thousandths of an inch.
width (optional)	An integer specifying the printed width of the object in thousandths of an inch. If omitted, PowerBuilder uses the object's original width.
height (optional)	An integer specifying the printed height of the object in thousandths of an inch. If omitted, PowerBuilder uses the object's original height.

Return value

Returns 1 if it succeeds and -1 if an error occurs. If any argument's value is null, Print returns null.

Usage

PowerBuilder manages print jobs by opening the job, sending data, and closing the job. When you use Syntax 2, you must call the PrintOpen function and the PrintClose or PrintCancel functions yourself to manage the process. For more information, see Part I, "PowerScript Reference".

Print area and margins

The print area is the physical page size minus any margins in the printer itself. Depending on the printer, you may be able to change margins using PrintSend and printer-defined escape sequences.

Examples

This example prints the CommandButton cb_close in its original size at location 500, 1000:

```
long Job
Job = PrintOpen( )
cb_close.Print(Job, 500,1000)
```

```
PrintClose(Job)
```

This example opens a print job, which defines a new page, then prints a title using the third syntax of Print. Then it uses this syntax of Print to print a graph on the first page and a window on the second page:

```
long Job
Job = PrintOpen( )
Print(Job, "Report of Year-to-Date Sales")
gr_sales1.Print(Job, 1000,PrintY(Job)+500, &
    6000,4500)
PrintPage(Job)
w_sales.Print(Job, 1000,500, 6000, 4500)
PrintClose(Job)
```

See also

Print in Section 2.4.579, “Print” in *PowerScript Reference*

[PrintCancel](#)

PrintClose in Section 2.4.583, “PrintClose” in *PowerScript Reference*

PrintOpen in Section 2.4.590, “PrintOpen” in *PowerScript Reference*

PrintScreen in Section 2.4.595, “PrintScreen” in *PowerScript Reference*

9.119 PrintCancel

Cancels printing and deletes the spool file, if any. There are two syntaxes.

Table 9.248:

To	Use
Cancel printing of a DataWindow or DataStore printed with the Print function.	Syntax 1
Cancel a print job that you began with the PrintOpen function. For the PowerBuilder environment only. For a description of PowerBuilder system print commands, see Part I, “PowerScript Reference”.	Syntax 2

9.119.1 Syntax 1 For DataWindows and DataStores

Description

Cancels the printing of a DataWindow or DataStore that was printed using Syntax 1 of Print.

Applies to

Table 9.249:

DataWindow type	Method applies to
PowerBuilder	DataWindow control, DataWindowChild object, DataStore object

Syntax

PowerBuilder

```
integer dwcontrol.PrintCancel ( )
```

Table 9.250:

Argument	Description
dwcontrol	A reference to a DataWindow control, DataStore object, or child DataWindow.

Return value

Returns 1 if it succeeds and -1 if an error occurs. If dwcontrol is null, PrintCancel returns null.

Usage

PrintCancel cancels the printing of the specified DataWindow or DataStore by deleting the spool file, if any, and closing the job.

PowerBuilder environment

When you use the Print method to print the DataWindow or DataStore, without using PrintOpen, use Syntax 1 to cancel printing. When you use the PowerScript system function PrintDataWindow to print a DataWindow as part of a print job, use Syntax 2 to cancel printing.

When you use Print for DataWindow controls or DataStores, it triggers a PrintStart event just before any data is sent to the printer (or spooler), a PrintPage event for each page break, and a PrintEnd event when printing is complete. You can use PrintCancel in the PrintStart or PrintPage event to cancel printing.

Examples

This statement sends the contents of the DataWindow dw_employee to the current printer without displaying the Cancel dialog:

```
dw_Employee.Print(FALSE)
```

This statement in the PrintStart event cancels printing:

```
dw_employee.PrintCancel()
```

See also

[Print](#)

9.119.2 Syntax 2 For canceling a print job**Description**

Cancels printing of a print job that you opened with the PrintOpen function. The print job is identified by the number returned by PrintOpen.

Applies to**Table 9.251:**

DataWindow type	Method applies to
PowerBuilder	DataWindow control

Syntax

PowerBuilder

```
integer PrintCancel ( long printjobnumber )
```

Table 9.252:

Argument	Description
printjobnumber	The number the PrintOpen function assigned to the print job.

Return value

Returns 1 if it succeeds and -1 if an error occurs. If printjobnumber is null, PrintCancel returns null.

Usage

PrintCancel cancels the specified print job by deleting the spool file, if any, and closing the job. Because PrintCancel closes the print job, do not call the PrintClose function after you call PrintCancel.

Examples

In this example, a script for a Print button opens a print job and then opens a window with a cancel button. If the user clicks on the cancel button, its script sets a global variable that indicates that the user wants to cancel the job. After each printing command in the Print button's script, the code checks the global variable and cancels the job if its value is true.

The definition of the global variable is:

```
boolean gb_printcancel
```

The script for the Print button is:

```
long job, li

gb_printcancel = false
job = PrintOpen("Test Page Breaks")
IF job < 1 THEN
    MessageBox("Error", "Can't open a print job.")
    RETURN
END IF

Open(w_printcancel)

PrintBitmap(Job, "d:\PB\bitmap1.bmp", 5, 10, 0, 0)
IF gb_printcancel = true THEN
    PrintCancel(job)
    RETURN
END IF

... // Additional printing commands,
... // including checking gb_printcancel

PrintClose(job)
Close(w_printcancel)
```

The script for the cancel button in the second window is:

```
gb_printcancel = true
Close(w_printcancel)
```

See also[Print](#)

PrintCancel in Section 2.4.582, “PrintCancel” in *PowerScript Reference*

PrintClose in Section 2.4.583, “PrintClose” in *PowerScript Reference*

PrintOpen in Section 2.4.590, “PrintOpen” in *PowerScript Reference*

9.120 ReplaceText

Description

Replaces selected text in the edit control for the current row and column with a specified string.

Applies to**Table 9.253:**

DataWindow type	Method applies to
PowerBuilder	DataWindow control

Syntax**PowerBuilder**

```
long editname.ReplaceText ( string string )
```

Table 9.254:

Argument	Description
editname	A reference to a DataWindow control
string	The string that replaces the selected text

Return value

Returns the number of characters in string and -1 if an error occurs.

If any argument's value is null, in PowerBuilder and JavaScript the method returns null.

Usage

If there is no selection, ReplaceText inserts the replacement text at the cursor position.

To use the contents of the clipboard as the replacement text, call the Paste method instead of ReplaceText.

PowerBuilder environment

For use with other PowerBuilder controls, see Section 2.4.632, “ReplaceText” in *PowerScript Reference*.

Examples

If the DataWindow edit control contains "Offer Good for 3 Months" and the selected text is "3 Months", this statement replaces "3 Months" with "60 Days" and returns 7. The resulting text in the edit control is "Offer Good for 60 Days":

```
dw_salesoffer.ReplaceText("60 Days")
```

If there is no selected text, this statement inserts "New product" at the cursor position in the edit control for dw_products:

```
dw_products.ReplaceText("New product")
```

See also

[Copy](#)

[Cut](#)

[Paste](#)

ReplaceText in the Section 2.4.632, "ReplaceText" in *PowerScript Reference*

9.121 ReselectRow

Description

Accesses the database to retrieve values for all columns that can be updated and refreshes all timestamp columns in a row in a DataWindow control or DataStore. The values from the database are redisplayed in the row.

Applies to

Table 9.255:

DataWindow type	Method applies to
PowerBuilder	DataWindow control, DataWindowChild object, DataStore object

Syntax

PowerBuilder

```
integer dwcontrol.ReselectRow ( long row )
```

Table 9.256:

Argument	Description
dwcontrol	A reference to the DataWindow control, DataStore, or child DataWindow in which you want to reselect a row
row	A value identifying the row to reselect

Return value

Returns 1 if it is successful and -1 if the row cannot be reselected (for example, the DataWindow object cannot be updated or the row was deleted by another user).

If any argument's value is null, in PowerBuilder and JavaScript the method returns null.

Usage

ReselectRow is supported for SQLSelect DataWindows. Use ReselectRow to discard values the user changed and replace them with values from the database after an update fails (due to a concurrent access error, for example).

About timestamp support

Timestamp support is not available in all DBMSs. For information on timestamp columns, see the documentation for your DBMS.

Note If you are using ShareData and then use ReselectRow on the primary DataWindow, the secondary DataWindow resets back to row 1, column 1.

Examples

This statement reselects row 5 in the DataWindow control dw_emp:

```
dw_emp.ReselectRow(5)
```

This statement reselects the clicked row if the update is not successful:

```
IF dw_emp.Update( ) < 0 THEN
    dw_emp.ReselectRow(dw_emp.GetClickedRow())
END IF
```

See also

[GetClickedRow](#)

[SelectRow](#)

[Update](#)

9.122 Reset

Description

Clears all the data from a DataWindow control or DataStore object.

For the syntax to use for deleting graphs within a DataWindow object that have an external data source, see [Reset](#). For the syntax to use with other PowerBuilder controls, see Section 2.4.634, “Reset” in *PowerScript Reference*.

Applies to

Table 9.257:

DataWindow type	Method applies to
PowerBuilder	DataWindow control, DataWindowChild object, DataStore object

Syntax

PowerBuilder

```
integer dwcontrol.Reset ( )
```

Table 9.258:

Argument	Description
dwcontrol	A reference to a DataWindow control, DataStore, or child DataWindow

Return value

Returns 1 if it succeeds and -1 if an error occurs. The return value is usually not used.

If dwcontrol is null, in PowerBuilder and JavaScript the method returns null.

Usage

Reset is not the same as deleting rows from the DataWindow object or child DataWindow. Reset affects the application only, not the database. If you delete rows and then call the Update method, the rows are deleted from the database table associated with the DataWindow object. If you call Reset and then call Update, no changes are made to the table.

PowerBuilder environment

If you call Reset when the Retrieve As Needed option is set, Reset will clear the rows that have been retrieved. However, because Retrieve As Needed is on, the DataWindow immediately retrieves the next set of rows.

To prevent the rows from being retrieved, call DBCancel before calling Reset. If all the rows have been retrieved (the cursor has been closed and the RetrieveEnd event has occurred), then when Reset clears the DataWindow, it stays empty.

Examples

This statement completely clears the contents of dw_employee:

```
dw_employee.Reset()
```

In a DataWindow whose Retrieve As Needed option is on, this example cancels the retrieval before resetting the DataWindow:

```
dw_employee.DBCancel()  
dw_employee.Reset()
```

See also

[DeleteRow](#)

9.123 ResetInk**Description**

Clears ink from an InkPicture control in a DataWindow.

Applies to**Table 9.259:**

DataWindow type	Method applies to
PowerBuilder	DataWindow control

Syntax

PowerBuilder

```
integer dwcontrol.ResetInk ( string name, long rownumber )
```

Table 9.260:

Argument	Description
dwcontrol	A reference to a DataWindow control.
name	The name of the InkPicture control from which you want to clear the picture.
rownumber	The number of the row that contains the picture to be cleared. To clear all rows, set rownumber to 0.

Return value

Integer.

Returns 1 for success and -1 for failure.

Usage

Use the ResetInk function to clear the ink from an InkPicture control.

Examples

The following example clears the ink in an InkPicture control in row 3 of a DataWindow object:

```
int li_return
li_return = dw_1.ResetInk(inkpic_1, 3)
```

See also

[SaveInk](#)

[SaveInkPic](#)

9.124 ResetTransObject

Description

Stops a DataWindow control or DataStore from using the programmer-specified transaction object that is currently in effect through a call to the SetTransObject method. After you call the ResetTransObject method, the DataWindow control or DataStore uses its internal transaction object.

Applies to

Table 9.261:

DataWindow type	Method applies to
PowerBuilder	DataWindow control, DataWindowChild object, DataStore object

Syntax

PowerBuilder

```
integer dwcontrol.ResetTransObject ( )
```

Table 9.262:

Argument	Description
dwcontrol	A reference to a DataWindow control, DataStore, or child DataWindow

Return value

Returns 1 if it succeeds and -1 if an error occurs. The return value is usually not used.

If dwcontrol is null, the method returns null.

Usage

If you reset the transaction object and SetTrans has never been called to set the values in the internal transaction object, call SetTrans to set them or SetTransObject to establish a new programmer-specified transaction object.

ResetTransObject is almost never used because programmer-specified and internal transaction objects in one application are generally not used together. Programmer-specified transaction objects, specified with SetTransObject, provide better application performance. To change the programmer-specified transaction object, simply call SetTransObject again.

Examples

This statement stops dw_employee from using programmer-specified transaction objects:

```
dw_employee.ResetTransObject ( )
```

See also

[GetTrans](#)

[SetTrans](#)

[SetTransObject](#)

9.125 ResetUpdate**Description**

Clears the update flags in the primary and filter buffers and empties the delete buffer of a DataWindow or DataStore.

Applies to**Table 9.263:**

DataWindow type	Method applies to
PowerBuilder	DataWindow control, DataWindowChild object, DataStore object

Syntax

PowerBuilder

```
integer dwcontrol.ResetUpdate ( )
```

Table 9.264:

Argument	Description
dwcontrol	The name of the DataWindow control, DataStore, or child DataWindow in which you want to reset the update flags

Return value

Returns 1 if it succeeds and -1 if an error occurs.

If dwcontrol is null, in PowerBuilder and JavaScript the method returns null.

Usage

When a row is changed, inserted, or deleted, its update flag is set, making it marked for update. By default the Update method turns these flags off. If you want to coordinate updates of more than one DataWindow or DataStore, however, you can prevent Update from clearing the flags. Then, after you verify that all the updates succeeded, you can call ResetUpdate for each DataWindow to clear the flags. If one of the updates failed, you can keep the update flags, prompt the user to fix the problem, and try the updates again.

You can find out which rows are marked for update with the GetItemStatus method. If a row is in the delete buffer or if it is in the primary or filter buffer and has NewModified! or DataModified! status, its update flag is set. After update flags are cleared, all rows have the status NotModified! or New! and the delete buffer is empty.

Examples

These statements coordinate the update of two DataWindow objects:

```
int rtncode
CONNECT USING SQLCA;
dw_cust.SetTransObject(SQLCA)
dw_sales.SetTransObject(SQLCA)

rtncode = dw_cust.Update(true, false)
IF rtncode = 1 THEN
    rtncode = dw_sales.Update(true, false)
    IF rtncode = 1 THEN
        dw_cust.ResetUpdate() // Both updates are OK
        dw_sales.ResetUpdate() // Clear update flags
        COMMIT USING SQLCA; // Commit them
    ELSE
        ROLLBACK USING SQLCA; // 2nd update failed
    END IF
END IF
```

See also

[Update](#)

9.126 Resize

Description

Resizes an object or control by setting its Width and Height properties and then redraws the object.

Applies to

Table 9.265:

DataWindow type	Method applies to
PowerBuilder	DataWindow control, DataStore object

Syntax

PowerBuilder

```
integer objectname.Resize (integer width, integer height )
```

Table 9.266:

Argument	Description
objectname	A reference to the object or control you want to resize
width	The new width in PowerBuilder units
height	The new height in PowerBuilder units

Return value

Returns 1 if it succeeds and -1 if an error occurs or if objectname is a minimized or maximized window.

Usage

You cannot use Resize for a child DataWindow.

Use with other PowerBuilder objects and controls

Resize does not resize a minimized or maximized sheet or window. If the window is minimized or maximized, Resize returns -1.

For use with other PowerBuilder controls, see Section 2.4.639, “Resize” in *PowerScript Reference*.

Examples

This statement changes the Width and Height properties of gb_box1 and redraws gb_box1 with the new properties:

```
gb_box1.Resize(100, 150)
```

This statement doubles the width and height of the picture control p_1:

```
p_1.Resize(p_1.Width*2, p_1.Height*2)
```

9.127 Retrieve

Description

Retrieves rows from the database for a DataWindow control or DataStore. If arguments are included, the argument values are used for the retrieval arguments in the SQL SELECT statement for the DataWindow object or child DataWindow.

Applies to

Table 9.267:

DataWindow type	Method applies to
PowerBuilder	DataWindow control, DataWindowChild object, DataStore object

Syntax

PowerBuilder

```
long dwcontrol.Retrieve ( { any argument, any argument . . . } )
```

Table 9.268:

Argument	Description
dwcontrol	A reference to a DataWindow control, DataStore, or child DataWindow.
argument (optional with Retrieve, required with RetrieveEx)	One or more values that you want to use as retrieval arguments in the SQL SELECT statement defined in dwcontrol.

Return value

Returns the number of rows displayed (that is, rows in the primary buffer) if it succeeds and -1 if it fails. If there is no DataWindow object assigned to the DataWindow control or DataStore, this method returns -1.

This method always returns -1 if the data source is external. Use a method such as ImportFile to populate the DataWindow.

Usage

After rows are retrieved, the DataWindow object's filter is applied. Therefore, any retrieved rows that do not meet the filter criteria are immediately moved to the filter buffer and are not included in the return count.

Before you can retrieve rows for a DataWindow control or DataStore, you must specify a transaction object with SetTransObject or SetTrans. If you use SetTransObject, you must also use a SQL CONNECT statement to establish a database connection.

Normally, when you call Retrieve, any rows that are already in the DataWindow control or DataStore are discarded and replaced with the retrieved rows. You can return the code 2 in the RetrieveStart event to prevent this. In this case, Retrieve adds any retrieved rows to the ones that already exist in the buffers.

After the Retrieve method retrieves data for the DataWindow, PowerBuilder applies the sort criteria that were defined for the DataWindow object, if any.

Retrieval arguments

If arguments are expected but not specified, the user is prompted for the retrieval arguments.

A retrieval argument can be null if the SELECT statement is designed to handle null values. For example, if a two-part WHERE clause is separated by OR, then either part can be null while the other matches values in the database.

Events

Retrieve may trigger these events:

DBError

RetrieveEnd

RetrieveRow

RetrieveStart

None of these events is triggered if the data source is external, because Retrieve always fails. You must use one of the import methods to populate the DataWindow.

Examples

This statement causes dw_emp1 to retrieve rows from the database.

```
dw_emp1.Retrieve()
```

This example illustrates how to set up a connection and then retrieve rows in the DataWindow control. A typical scenario is to establish the connection in the application's Open event and to retrieve rows in the Open event for the window that contains the DataWindow control.

The following is a script for the application open event. SQLCA is the default transaction object. The ProfileString function is getting information about the database connection from an initialization file:

```
// Set up Transaction object from the INI file
SQLCA.DBMS = ProfileString("myapp.ini", &
    "Database", "DBMS", " ")
SQLCA.DbParm = ProfileString("myapp.ini", &
    "Database", "DbParm", " ")
// Connect to database
CONNECT USING SQLCA;
// Test whether the connect succeeded
IF SQLCA.SQLCode <> 0 THEN
    MessageBox("Connect Failed", &
        "Cannot connect to database." &
        + SQLCA.SQLErrText)
    RETURN
END IF
Open(w_main)
```

To continue the example, the open event for w_main sets the transaction object for the DataWindow control dw_main to SQLCA and retrieves rows from the database.

If no rows were retrieved or if there is an error (that is, the return value is negative), the script displays a message to the user:

```
long ll_rows
dw_main.SetTransObject(SQLCA)
ll_rows = dw_main.Retrieve()
IF ll_rows < 1 THEN MessageBox( &
    "Database Error", &
    "No rows retrieved.")
```

This example illustrates the use of retrieval arguments. Assume that `:Salary` and `:Region` are declared as arguments in the DataWindow painter and `dw_emp` has this SQL SELECT statement:

```
SELECT Name, emp.sal, sales.rgn From Employee, Sales
      WHERE emp.sal > :Salary and sales.rgn = :Region
```

Then this statement causes `dw_emp1` to retrieve employees from the database who have a salary greater than \$50,000 and are in the northwest region:

```
dw_1.Retrieve(50000, "NW")
```

This example also illustrates retrieval arguments. Assume `dw_EmpHist` contains this SQL SELECT statement and `emps` is defined as a number array:

```
SELECT EmpNbr, Sal, Rgn From Employee WHERE EmpNbr IN (:emps)
```

These statements cause `dw_EmpHist` to retrieve Employees from the database whose employee numbers are values in the array `emps`:

```
Double emps[3]
emps[1] = 100
emps[2] = 200
emps[3] = 300
dw_EmpHist.Retrieve(emps)
```

The following example illustrates how to use `Retrieve` twice to get data meeting different criteria. Assume the SELECT statement for the DataWindow object requires one argument, the department number. Then these statements retrieve all rows in the database in which department number is 100 or 200.

The script for the `RetrieveStart` event in the DataWindow control sets the return code to 2 so that the rows and buffers of the DataWindow control are not cleared before each retrieval:

```
RETURN 2
```

The script for the `Clicked` event for a `Retrieve CommandButton` retrieves the data with two function calls. The `Reset` method clears any previously retrieved rows, normally done by `Retrieve`.

Here, `Retrieve` is prevented from doing it by the return code in the `RetrieveStart` event:

```
dw_1.Reset( )
dw_1.Retrieve(100)
dw_1.Retrieve(200)
```

See also

[DeleteRow](#)

[GetLastError](#)

[GetLastErrorString](#)

[InsertRow](#)

[SetTrans](#)

[SetTransObject](#)

[Update](#)

9.128 RowCount

Description

Obtains the number of rows that are currently available in a DataWindow control or DataStore. To determine the number of rows available, the RowCount method checks the primary buffer.

Applies to

Table 9.269:

DataWindow type	Method applies to
PowerBuilder	DataWindow control, DataWindowChild object, DataStore object

Syntax

PowerBuilder

```
long dwcontrol.RowCount ( )
```

Table 9.270:

Argument	Description
dwcontrol	A reference to a DataWindow control, DataStore, or child DataWindow

Return value

Returns the number of rows that are currently available in dwcontrol, 0 if no rows are currently available, and -1 if an error occurs.

If dwcontrol is null, in PowerBuilder and JavaScript the method returns null.

Usage

The primary buffer for a DataWindow control or DataStore contains the rows that are currently available for display or printing. These are the rows counted by RowCount. The number of currently available rows equals the total number of rows retrieved minus any deleted or filtered rows plus any inserted rows. The deleted and filtered rows are stored in the DataWindow's delete and filter buffers.

Examples

This statement returns the number of rows currently available in dw_Employee:

```
long NbrRows
NbrRows = dw_Employee.RowCount()
```

This example determines when the user has scrolled to the end of a DataWindow control. It compares the row count with the DataWindow property LastRowOnPage:

```
dw_1.ScrollNextPage()
IF dw_1.RowCount() = Integer(dw_1.Describe( &
    "DataWindow.LastRowOnPage")) THEN
    ... // Appropriate processing
END IF
```

See also[DeleteRow](#)[DeletedCount](#)[Filter](#)[FilteredCount](#)[InsertRow](#)[ModifiedCount](#)[SetFilter](#)[Update](#)

9.129 RowsCopy

Description

Copies a range of rows from one DataWindow control (or DataStore object) to another, or from one buffer to another within a single DataWindow control (or DataStore).

Applies to**Table 9.271:**

DataWindow type	Method applies to
PowerBuilder	DataWindow control, DataWindowChild object, DataStore object

Syntax**PowerBuilder**

```
integer dwcontrol.RowsCopy ( long startrow, long endrow,
    DWBuffer copybuffer, datawindow targetdw, long beforerow,
    DWBuffer targetbuffer )
integer dwcontrol.RowsCopy ( long startrow, long endrow,
    DWBuffer copybuffer, datastore targetdw, long beforerow,
    DWBuffer targetbuffer )
integer dwcontrol.RowsCopy ( long startrow, long endrow,
    DWBuffer copybuffer, datawindowchild targetdw, long beforerow,
    DWBuffer targetbuffer )
```

Table 9.272:

Argument	Description
dwcontrol	The name of the DataWindow control, DataStore, or child DataWindow from which you want to copy rows.
startrow	The number of the first row you want to copy.
endrow	The number of the last row you want to copy.
copybuffer	A value of the dwBuffer enumerated datatype identifying the DataWindow buffer from which you want to copy rows. For a list of valid values, see DWBuffer .

Argument	Description
targetdw	A reference to the DataWindow control or DataStore object to which you want to copy the rows. Targetdw can be the same DataWindow (or DataStore) or another DataWindow (or DataStore).
beforerow	The number of the row before which you want to insert the copied rows. To insert after the last row, use any value that is greater than the number of existing rows.
targetbuffer	A value of the dwBuffer enumerated datatype identifying the target DataWindow buffer for the copied rows. For a list of valid values, see DWBuffer .

Return value

Returns 1 if it succeeds and -1 if an error occurs.

If any argument's value is null, in PowerBuilder and JavaScript the method returns null.

Usage

When you use the RowsCopy method, the status of the rows that are copied to the primary buffer is NewModified!. If you issue an update request, PowerBuilder sends SQL INSERT statements to the DBMS for the new rows.

When you use RowsCopy, data is not automatically retrieved for drop-down DataWindows in the target DataWindow or DataStore, as it is when you call InsertRow. You must explicitly call Retrieve for child DataWindows in the target.

When you use RowsCopy or RowsMove to populate another DataWindow, the copied data is not automatically processed by filters or sort criteria in effect on the target DataWindow. You might be required to call the Filter, GroupCalc, or Sort methods to properly process the data.

Uses for RowsCopy include:

- Making copies of one or more rows so that the users can create new rows based on existing data
- Printing a range of rows by copying selected rows to another DataWindow and printing the second DataWindow

Buffer manipulation and query mode

A DataWindow cannot be in query mode when you call the RowsCopy method.

Examples

This statement copies all the rows starting with the current row in dw_1 to the beginning of the primary buffer in dw_2:

```
dw_1.RowsCopy(dw_1.GetRow(), &
dw_1.RowCount(), Primary!, dw_2, 1, Primary!)
```

This example copies all the rows starting with the current row in dw_1 to the beginning of the primary buffer in the drop-down DataWindow state_id in dw_3:

```
datawindowchild dwc
```

```
dw_3.GetChild("state_id", dwc)
dw_1.RowsCopy(dw_1.GetRow(), &
    dw_1.RowCount(), Primary!, dwc, 1, Primary!)
```

This example copies all the rows starting with the current row in dw_1 to the beginning of the primary buffer in the nested report d_employee:

```
datawindowchild dwc
dw_composite.GetChild("d_employee", dwc)
dw_1.RowsCopy(dw_1.GetRow(), &
    dw_1.RowCount(), Primary!, dwc, 1, Primary!)
```

See also

[RowsDiscard](#)

[RowsMove](#)

9.130 RowsDiscard

Description

Discards a range of rows in a DataWindow control. Once a row has been discarded using RowsDiscard, you cannot restore the row. You have to retrieve it again from the database.

Applies to

Table 9.273:

DataWindow type	Method applies to
PowerBuilder	DataWindow control, DataWindowChild object, DataStore object

Syntax

PowerBuilder

```
integer dwcontrol.RowsDiscard (long startrow, long endrow, DWBuffer buffer )
```

Table 9.274:

Argument	Description
dwcontrol	The reference to a DataWindow control or child DataWindow.
startrow	The number of the first row you want to discard.
endrow	The number of the last row you want to discard.
buffer	A value of the dwBuffer enumerated datatype specifying the DataWindow buffer containing the rows to be discarded. For a list of valid values, see DWBuffer .

Return value

Returns 1 if it succeeds and -1 if an error occurs.

If any argument's value is null, in PowerBuilder and JavaScript the method returns null.

Usage

Use `RowsDiscard` when your application is finished with some of the rows in a DataWindow control and you do not want an update to affect the rows in the database. For example, you can discard rows in the delete buffer, which prevents the rows from being deleted when you call `Update`.

Use `Reset` to clear all the rows from a DataWindow control.

The `RowsDiscard` method triggers the `RowFocusChanging` and `RowFocusChanged` events only when the row number of the current row is changed. The current row is simply a number that indicates which row is the current row. A change in the content of the row does not trigger the events if the number of the current row remains the same.

Suppose you have a DataWindow with two rows. If the current row is row 1 and `RowsDiscard` discards row 1, row 2 becomes the current row, but its row number also changes from 2 to 1. The events are not fired because the current row number is still row 1. If the current row is row 2 and `RowsDiscard` discards row 1, the events are fired because the current row number has changed from row 2 to row 1.

Examples

This statement discards all the rows in the delete buffer for `dw_1`. As a result if the application later calls `dw_1.Update()`, the DataWindow will not submit SQL DELETE statements to the DBMS for these rows:

```
dw_1.RowsDiscard(1, dw_1.DeletedCount(), Delete!)
```

See also

[Reset](#)

[RowsCopy](#)

[RowsMove](#)

9.131 RowsMove

Description

Clears a range of rows from one DataWindow control (or DataStore) and inserts them in another. Alternatively, `RowsMove` moves rows from one buffer to another within a single DataWindow control (or DataStore).

Applies to

Table 9.275:

DataWindow type	Method applies to
PowerBuilder	DataWindow control, DataWindowChild object, DataStore object

Syntax

PowerBuilder

```
integer dwcontrol.RowsMove ( long startrow, long endrow,
    DWBuffer movebuffer, datawindow targetdw, long beforerow,
    DWBuffer targetbuffer )
integer dwcontrol.RowsMove ( long startrow, long endrow,
    DWBuffer movebuffer, datastore targetdw, long beforerow,
```

```
DWBuffer targetbuffer )
integer dwcontrol.RowsMove ( long startrow, long endrow,
    DWBuffer movebuffer, datawindowchild targetdw,
    long beforerow, DWBuffer targetbuffer )
```

Table 9.276:

Argument	Description
dwcontrol	The name of a DataWindow control, DataStore, or child DataWindow from which you want to move rows.
startrow	The number of the first row you want to move.
endrow	The number of the last row you want to move.
movebuffer	A value of the dwBuffer enumerated datatype identifying the DataWindow buffer from which you want to move the rows. For a list of valid values, see DWBuffer .
targetdw	The name of the DataWindow control or DataStore to which you want to move the rows. Targetdw can be the same DataWindow control (or DataStore) or a different DataWindow control (or DataStore), but it cannot be a child DataWindow.
beforerow	The number of the row before which you want to insert the moved rows. To insert after the last row, use any value that is greater than the number of existing rows.
targetbuffer	A value of the dwBuffer enumerated datatype identifying the target buffer for the rows. For a list of valid values, see DWBuffer .

Return value

Returns 1 if it succeeds and -1 if an error occurs.

If any argument's value is null, in PowerBuilder and JavaScript the method returns null.

Usage

When you use RowsMove, the rows have the status NewModified! in the target DataWindow.

If you move rows between buffers in a single DataWindow control or DataStore, PowerBuilder retains knowledge of where the rows came from, and their status is changed accordingly. For example, if you move unmodified rows from the primary buffer to the delete buffer, they are marked for deletion. If you move the rows back to the primary buffer, their status returns to NotModified!. Note, however, that if you move rows from one DataWindow control (or DataStore) to another and back again, the rows' status is NewModified! because they came from a different DataWindow.

The RowsMove method triggers the RowFocusChanging and RowFocusChanged events only when the row number of the current row is changed. The current row is simply a number that indicates which row is the current row. A change in the content of the row does not trigger the events if the number of the current row remains the same.

Suppose you have a DataWindow with two rows. If the current row is row 1 and RowsMove moves row 1, row 2 becomes the current row, but its row number also changes from 2 to 1.

The events are not fired because the current row number is still row 1. If the current row is row 2 and RowsMove moves row 1, the events are fired because the current row number has changed from row 2 to row 1.

When you use RowsMove, data is not automatically retrieved for drop-down DataWindows in the target DataWindow, as it is when you call InsertRow. You must explicitly call Retrieve for child DataWindows in the target.

When you use RowsCopy or RowsMove to populate another DataWindow, the copied data is not automatically processed by filters or sort criteria in effect on the target DataWindow. You might be required to call the Filter, GroupCalc, or Sort methods to properly process the data.

Uses for RowsMove include:

- Moving several rows from the primary buffer to the delete buffer, instead of deleting them one at a time
- Moving rows from the delete buffer to the primary buffer, to implement an Undo capability in your application

Buffer manipulation and query mode

A DataWindow cannot be in query mode when you call the RowsMove method.

Examples

This statement moves all the rows starting with the first row in the delete buffer for dw_1 to the primary buffer for dw_1, thereby undeleting these rows:

```
dw_1.RowsMove(1, dw_1.DeletedCount(), Delete!, &
dw_1, 1, Primary!)
```

See also

[RowsCopy](#)

[RowsDiscard](#)

9.132 SaveAs

Description

Saves the contents of a DataWindow or DataStore in the format you specify.

For syntax to save the contents of graphs in DataWindows and DataStores, see [SaveAs](#).

For syntax to save objects in OLE controls and OLE storage, see SaveAs in *PowerScript Reference*.

Applies to

Table 9.277:

DataWindow type	Method applies to
PowerBuilder	DataWindow control, DataWindowChild object, DataStore object

Syntax

PowerBuilder

```
integer dwcontrol.SaveAs ( { string filename, saveastype saveastype, boolean
colheading { , encoding encoding } } )
```

Table 9.278:

Argument	Description
dwcontrol	A reference to a DataWindow control, DataStore, or child DataWindow.
filename (optional for PowerBuilder)	A string whose value is the name of the file in which to save the contents. If you omit this argument, or specify an empty string ("") for filename but include valid values for the saveastype and colheading arguments, the DataWindow prompts end users for a file name. Working with DataStore objects If you are working with a DataStore, you must supply the filename argument.
saveastype (optional for PowerBuilder)	A value of the SaveAsType enumerated datatype specifying the format in which to save the contents of the DataWindow object. For a list of values, see SaveAsType .
colheading (optional for PowerBuilder)	A boolean value indicating whether you want to include the DataWindow's column headings at the beginning of the file. The default value is true. This argument is used for the following formats: Clipboard, CSV, Excel, and Text. For most other formats, column headings are always saved.
encoding (optional for PowerBuilder)	Character encoding of the file to which the data is saved. This parameter applies only to the following formats: TEXT, CSV, SQL, HTML, and DIF. If you do not specify an encoding parameter, the file is saved in ANSI format. Values are: <ul style="list-style-type: none"> • EncodingANSI! (default) • EncodingUTF8! • EncodingUTF16LE! • EncodingUTF16BE!

Return value

Returns 1 if it succeeds and -1 if an error occurs. If any argument's value is null, SaveAs returns null.

Usage

If you do not specify any arguments for SaveAs, PowerBuilder displays the Save As dialog box. A drop-down list lets the user specify the format of the saved data.

Report format (PSReport! value of SaveAsType) is the best choice if the DataWindow is a composite report. Choosing PSReport! has no effect if the DataWindow object has the RichText presentation style.

For XML!, the XML logical structure used is based on the current XML export template for the DataWindow object. You can change the export template by setting the value of the `Export.XML.UseTemplate` property. If no export template is specified, the default template is used.

If you use date formats in your report, you must verify that yyyy is the Short Date Style for year in the Regional Settings of the user's Control Panel. Your program can check this with the `RegistryGet` function. If the setting is not correct, you can ask the user to change it manually or to have the application change it (by calling the `RegistrySet` function). The user might need to reboot after the setting is changed.

When you save the contents of a DataWindow to a text file, double quotes are handled in a way that enables the `ImportFile` method to produce the same DataWindow when the text file is imported back into PowerBuilder. Any field that is enclosed in a pair of double quotes is wrapped with three pairs of double quotes in the saved text file. Double quotes at the beginning of a text field that have no matching double quotes at the end of the field are also replaced by three double quotes in the saved text file. However, a double quote elsewhere in the field is saved as one double quote.

The behavior of the `SaveAs` method with the `EncodingANSI!` parameter or with no encoding parameter is platform dependent. On the Windows and Solaris platforms, the file is always saved with ANSI encoding whether you are connected to an ANSI or Unicode database. On the Linux platform with an ANSI database connection, `SaveAs` saves the file with ANSI encoding. On the Linux platform with a Unicode database connection, if the data contains multilanguage characters, `SaveAs` converts the characters to UTF-8 and saves the file with UTF-8 encoding.

Examples

This statement saves the contents of `dw_History` to the file `G:\INVENTORY\EMPLOYEE.HIS`. The saved file is in CSV format without column headings:

```
dw_History.SaveAs("G:\INVENTORY\EMPLOYEE.HIS", &  
    CSV!, false)
```

The following statements set the template used by the DataWindow `dw_1` to `t_report`, specify that metadata in the `XMLSchema!` format should be generated in a separate file, and generate the files `c:\myxml.xml` containing the DataWindow row data in XML format, and `c:\myxml.xsd` containing the XML schema used in `c:\myxml.xml`:

```
dw_1.Modify("DataWindow.Export.XML.UseTemplate = 't_report'")  
dw_1.Modify("DataWindow.Export.XML.MetadataType = XMLSchema!")  
dw_1.Modify("DataWindow.Export.XML.SaveMetaData = MetaDataExternal!")  
dw_1.SaveAs("c:\myxml.xml", XML!, false)
```

The following statements generate the files `c:\dw_one.fo` containing the DataWindow presentation and data in XSL-FO format, and `c:\dw_one.pdf` containing the DataWindow presentation and data in PDF format:

```
dw_1.SaveAs("c:\dw_one.fo", XSLFO!, false)  
dw_1.SaveAs("c:\dw_one.pdf", PDF!, false)
```

See also

[ImportFile](#)

[Print](#)

[SaveAsFormattedText](#)[Update](#)

9.133 SaveAsAscii

Description

Saves the contents of a DataWindow or DataStore into a standard ANSI text file.

Applies to

Table 9.279:

DataWindow type	Method applies to
PowerBuilder	DataWindow control, DataStore object

Syntax

PowerBuilder

```
long dwcontrol.SaveAsAscii ( string filename {, string separatorcharacter {, string
quotecharacter {, string lineending {, boolean retainnewlinechar } } } )
```

Table 9.280:

Argument	Description
dwcontrol	A reference to a DataWindow control or DataStore.
filename	A string whose value is the name of the file in which to save the contents.
separatorcharacter (optional)	A string whose value is the character to be used to delimit values. If you omit separatorcharacter, the default is a tab character.
quotecharacter (optional)	A string whose value is the character to be used to wrap values. If you omit quotecharacter, the default is double quote.
lineending (optional)	A string whose value is placed at the end of each line. If you omit lineending, the default is a carriage return plus a newline character (~r~n).
retainnewlinechar (optional)	A boolean value that determines whether line feed and carriage return characters contained within the row are converted to white space. Values are: True -- line feed and carriage return characters within the row are not converted to white space False (default) -- line feed and carriage return characters within the row are converted to white space

Return value

Returns 1 if it succeeds and -1 if an error occurs.

Usage

SaveAsAscii always saves the file with ANSI encoding. To save to a file with a different encoding, use SaveAsFormattedText.

SaveAsAscii is like SaveAs with the Text SaveAsType. However, unlike SaveAs, SaveAsAscii formats the text and saves column headers in the form in which they are displayed in the DataWindow instead of as the column name. For example, if the heading for the cust_id column is Customer ID, SaveAsAscii saves Customer ID to the text file, whereas SaveAs saves cust_id. SaveAsAscii also saves computed fields allows you to customize formats in the file.

If you do not specify custom settings, values are wrapped in double quotes and separated by tabs. A newline character (~r~n) is placed at the end of each line. Line feed and carriage return characters within each row are converted to white space.

PowerBuilder assigns a cell for each DataWindow object (which can include computed columns and group totals). If a cell is empty, PowerBuilder puts the quotecharacter between the separatorcharacter in the output file.

Examples

This statement saves the contents of dw_Quarter to the file H:\Q2\RESULTS.TXT. The saved file uses ANSI encoding with the ampersand (&) as the separator character, and single quotes (') as the characters used to wrap values. A new line (~r~n) is automatically inserted at each line ending. Computed columns are included with the saved information:

```
dw_Quarter.SaveAsAscii("H:\Q2\RESULTS.TXT","&","' ")
```

See also

[SaveAs](#)

[SaveAsFormattedText](#)

9.134 SaveAsFormattedText

Description

Saves the contents of a DataWindow or DataStore into a standard text file with custom formatting.

Applies to

Table 9.281:

DataWindow type	Method applies to
PowerBuilder	DataWindow control, DataStore object

Syntax

PowerBuilder

```
long dwcontrol.SaveAsFormattedText ( string filename {, string encoding {, string separatorcharacter {, string quotecharacter {, string lineending {, boolean retainnewlinechar } } } } )
```

Table 9.282:

Argument	Description
dwcontrol	A reference to a DataWindow control or DataStore.
filename	A string whose value is the name of the file in which to save the contents.

Argument	Description
encoding (optional)	Character encoding of the file to which the data is saved. If you do not specify an encoding parameter, the file is saved in ANSI format. Values are: <ul style="list-style-type: none"> • EncodingANSI! (default) • EncodingUTF8! • EncodingUTF16LE! • EncodingUTF16BE!
separatorcharacter (optional)	A string whose value is the character to be used to delimit values. If you omit separatorcharacter, the default is a tab character.
quotecharacter (optional)	A string whose value is the character to be used to wrap values. If you omit quotecharacter, the default is double quote.
lineending (optional)	A string whose value is placed at the end of each line. If you omit lineending, the default is a carriage return plus a newline character (~r~n).
retainnewlinechar (optional)	A boolean value that determines whether line feed and carriage return characters contained within the row are converted to white space. Values are: <p>True -- line feed and carriage return characters within the row are not converted to white space</p> <p>False (default) -- line feed and carriage return characters within the row are converted to white space</p>

Return value

Returns 1 if it succeeds and -1 if an error occurs.

Usage

SaveAsFormattedText is like SaveAs with the Text SaveAsType. However, unlike SaveAs, SaveAsFormattedText formats the text and saves column headers in the form in which they are displayed in the DataWindow instead of as the column name. For example, if the heading for the cust_id column is Customer ID, SaveAsFormattedText saves Customer ID to the text file, whereas SaveAs saves cust_id. SaveAsFormattedText also saves computed fields allows you to customize formats in the file.

If you do not specify custom settings, values are wrapped in double quotes and separated by tabs. A newline character (~r~n) is placed at the end of each line. Line feed and carriage return characters within each row are converted to white space.

PowerBuilder assigns a cell for each DataWindow object (which can include computed columns and group totals). If a cell is empty, PowerBuilder puts the quotecharacter between the separatorcharacter in the output file.

Examples

This statement saves the contents of dw_Quarter to the file H:\Q2\RESULTS.TXT. The saved file uses UTF-16LE encoding with the ampersand (&) as the separator character, single

quote (') as the character used to wrap values and the default line ending (~r~n). Computed columns are included with the saved information:

```
dw_Quarter.SaveAsFormattedText("H:\Q2\RESULTS.TXT", Encoding.UTF16LE!, "&", "'")
```

See also

[SaveAs](#)

9.135 SaveInk

Description

Saves overlay ink to a file or blob from an InkPicture control.

Applies to

Table 9.283:

DataWindow type	Method applies to
PowerBuilder	DataWindow control

Syntax

PowerBuilder

```
integer dwcontrol.SaveInk ( string name, long rownumber, blob blob )
integer dwcontrol.SaveInk ( string name, long rownumber,
    string filename {, inkpersistenceformat format {,
    inkcompressionmode mode } } )
```

Table 9.284:

Argument	Description
dwcontrol	A reference to a DataWindow control.
name	The name of the InkPicture control from which you want to save the ink.
rownumber	The number of the row that contains the ink to be saved.
blob	The name of a blob passed by reference that will hold the ink in the control.
filename	A string containing the name and location of a file that will hold the ink in the control.
format (optional)	A value of the InkPersistenceFormat enumerated variable that specifies the format in which you want to save the ink. Values are: <ul style="list-style-type: none"> Base64GIFFormat! Base64InkSerializedFormat! GIFFormat! InkSerializedFormat! (default)
mode (optional)	A value of the InkCompressionMode enumerated variable that specifies the compression mode in which you want to save the ink. Values are: <ul style="list-style-type: none"> DefaultCompression! (default)

Argument	Description
	<ul style="list-style-type: none"> MaximumCompression! NoCompression!

Return value

Integer.

Returns 1 for success and -1 for failure.

Usage

Use the SaveInk method to save annotations made to an image in an InkPicture control in a DataWindow to a separate file or blob.

When you save ink to a blob, it is saved in Ink Serialized Format (ISF). Saving ink to a blob provides the best performance because the ink is read directly from the ink data cache.

InkSerializedFormat! provides the most compact persistent ink representation. This format can be embedded inside a binary document format or added to the clipboard.

Base64InkSerializedFormat! encodes the ISF format as a base64 stream, which allows the ink to be encoded in an XML or HTML file.

GIFFormat! saves the image in a Graphics Interchange Format (GIF) file in which ISF is embedded as metadata. This format can be viewed in applications that are not ink enabled.

Base64GIFFormat! is persisted by using a base64 encoded fortified GIF. Use this format if the ink is to be encoded directly in an XML or XHTML file and will be converted to an image at a later time. It supports XSLT transformations to HTML.

Examples

The following example saves the ink in an InkPicture control in row 3 of a DataWindow object into an ISF file with default compression:

```
int li_return
string ls_pathname, ls_filename
GetFileSaveName("Save As", ls_pathname, &
    ls_filename, "ISF")
li_return = dw_1.SaveInk("inkpic_1", 3, ls_pathname)
```

The following example saves the ink in an InkPicture control in row 5 of a DataWindow object into a GIF file with maximum compression:

```
int li_return
string ls_pathname, ls_filename
GetFileSaveName("Save As", ls_pathname, &
    ls_filename, "GIF")
li_return = dw_1.SaveInk("inkpic_1", 5, &
    ls_pathname, GIFFormat!, MaximumCompression!)
```

The following example saves the ink in an InkPicture control in the current row of a DataWindow object into a blob:

```
int li_return
blob lb_blob
li_return = dw_1.SaveInk("inkpic_1", &
    dw_1.GetRow(), lb_blob)
```

See also

[ResetInk](#)[SaveInkPic](#)

9.136 SaveInkPic

Description

Saves a picture and optionally overlay ink to a file from an InkPicture control.

Applies to

Table 9.285:

DataWindow type	Method applies to
PowerBuilder	DataWindow control

Syntax

PowerBuilder

```
integer dwcontrol.SaveInkPic ( string name, long rownumber, string filename ,
integer format {, boolean withink } )
```

Table 9.286:

Argument	Description
dwcontrol	A reference to a DataWindow control.
name	The name of the InkPicture control from which you want to save the picture.
rownumber	The number of the row that contains the picture to be saved.
filename	A string containing the name and location of a file that will hold the picture in the control.
format	An integer specifying the format in which the picture is to be saved. Values are: 0 -- BMP (bitmap) 1 -- JPEG (Joint Photographic Experts Group) 2 -- GIF (Graphics Interchange Format) 3 -- TIFF (Tagged Image File Format) 4 -- PNG (Portable Network Graphics)
withink (optional)	A boolean specifying whether overlay ink should be saved with the picture. Values are: True -- overlay ink is saved with the picture (default) False -- overlay ink is not saved with the picture

Return value

Integer.

Returns 1 for success and -1 for failure.

Usage

Use the `SaveInkPic` method to save the image in an `InkPicture` control in a `DataWindow` to a file with or without any ink annotations that have been made to it. By default, the ink is saved with the image.

Examples

The following example saves the image in an `InkPicture` control in row 3 of a `DataWindow` object into a GIF file without any ink annotations:

```
int li_return
string ls_pathname, ls_filename
GetFileSaveName("Save As", ls_pathname, &
  ls_filename, "GIF")
li_return = dw_1.SaveInk(inkpic_1, 3, &
  ls_pathname, 2, false)
```

See also

[ResetInk](#)

[SaveInkPic](#)

9.137 SaveNativePDFToBlob

Description

Saves the PDF file into a blob variable when you use the `PDFlib` method to save data from a `DataWindow` object to a PDF file.

Applies to

Table 9.287:

DataWindow type	Method applies to
PowerBuilder	DataWindow control, DataWindowChild object, DataStore object

Syntax

PowerBuilder

```
integer dwcontrol.SaveNativePDFToBlob ( blob data )
```

Table 9.288:

Argument	Description
dwcontrol	A reference to a <code>DataWindow</code> control, <code>DataWindowChild</code> object, or <code>DataStore</code> object.
data	A blob variable into which the PDF file will be saved.

Return value

Integer.

Returns values as follows. If any argument's value is null, the method returns null.

- 1 Success
- -1 General error

- -2 Insufficient memory. Failed to create the PDF file.
- -3 Insufficient disk space. Failed to create the PDF file.
- -4 MasterPassword cannot be the same as UserPassword.

Examples

```
blob lblb_data
if dw_1.SaveNativePDFToBlob (lblb_data) = 1 then
MessageBox("Success", "Saved the native PDF file as blob successfully!")
end if
```

9.138 Scroll

Description

Scrolls the edit control of a DataWindow a specified number of lines up or down.

Applies to

Table 9.289:

DataWindow type	Method applies to
PowerBuilder	DataWindow control

Syntax

PowerBuilder

```
long dwcontrol.Scroll ( long number )
```

Table 9.290:

Argument	Description
dwcontrol	A reference to a DataWindow control. Scroll affects the edit control of the DataWindow.
number	A value specifying the direction and number of lines you want to scroll. To scroll down, use a positive value. To scroll up, use a negative value.

Return value

Scroll returns the line number of the first visible line in dwcontrol if it succeeds. Scroll returns -1 if an error occurs. If any argument's value is null, Scroll returns null.

Usage

If the number of lines left in the list is less than the number of lines that you want to scroll, then Scroll will scroll to the beginning or end, depending on the direction specified.

Examples

This statement scrolls mle_Employee down 4 lines:

```
mle_Employee.Scroll(4)
```

This statement scrolls mle_Employee up 4 lines:

```
mle_Employee.Scroll(-4)
```

See also

The following related methods implement scrolling in a DataWindow or a PowerBuilder RichTextEdit control:

[ScrollNextPage](#)

[ScrollNextRow](#)

[ScrollPriorPage](#)

[ScrollPriorRow](#)

[ScrollToRow](#)

9.139 ScrollFirstPage (obsolete)**Description**

Scrolls a Web DataWindow control to the first page, displaying the result set's first group of rows in the Web page. (A page is the number of rows that are displayed in the DataWindow control at one time.) ScrollFirstPage changes the current row, but not the current column.

Obsolete method

ScrollFirstPage is obsolete and should not be used, because the Web DataWindow technology is obsolete.

Applies to**Table 9.291:**

DataWindow type	Method applies to
Web	Client control

Syntax**Web DataWindow client control**

```
number dwcontrol.ScrollFirstPage ( )
```

Table 9.292:

Argument	Description
dwcontrol	A reference to a DataWindow control

Return value

Returns 1 if it succeeds and -1 if an error occurs.

If dwcontrol is null, the method returns null.

Usage

Calling ScrollFirstPage causes the page to be reloaded with another set of rows from the result set.

If the DataWindow object has retrieval arguments, they must be specified in the HTMLGen.SelfLinkArgs property. For more information, see the [HTMLGen.property](#) and the [Retrieve](#) method.

All methods that reload the page perform an AcceptText before sending data back to the server. If the method fails (returns -1), this means that pending data changes were not accepted and nothing was sent back to the server. In this situation the ItemError event occurs.

Events

ScrollNextPage may trigger these events:

ItemChanged
ItemError
ItemFocusChanged
RowFocusChanged
RowFocusChanging

Examples

This statement scrolls dw_employee to the first page:

```
dw_employee.ScrollFirstPage();
```

See also

[ScrollLastPage](#)

[ScrollNextPage](#)

[ScrollPriorPage](#)

9.140 ScrollLastPage (obsolete)

Description

Scrolls a Web DataWindow control to the last page, displaying the result set's last group of rows in the Web page. (A page is the number of rows that are displayed in the DataWindow control at one time.) ScrollLastPage changes the current row, but not the current column.

Obsolete method

ScrollLastPage is obsolete and should not be used, because the Web DataWindow technology is obsolete.

Applies to

Table 9.293:

DataWindow type	Method applies to
Web	Client control

Syntax

Web DataWindow client control

```
number dwcontrol.ScrollLastPage ( )
```

Table 9.294:

Argument	Description
dwcontrol	A reference to a DataWindow control

Return value

Returns 1 if it succeeds and -1 if an error occurs. If dwcontrol is null, the method returns null.

Usage

Calling ScrollLastPage causes the page to be reloaded with another set of rows from the result set.

If the DataWindow object has retrieval arguments, they must be specified in the HTMLGen.SelfLinkArgs property. For more information, see the [HTMLGen.property](#) and the [Retrieve](#) method.

All methods that reload the page perform an AcceptText before sending data back to the server. If the method fails (returns -1), this means that pending data changes were not accepted and nothing was sent back to the server. In this situation the ItemError event occurs.

Events

ScrollNextPage may trigger these events:

ItemChanged
ItemError
ItemFocusChanged
RowFocusChanged
RowFocusChanging

Examples

This statement scrolls dw_employee to the last page:

```
dw_employee.ScrollLastPage();
```

See also

[ScrollFirstPage](#)

[ScrollNextPage](#)

[ScrollPriorPage](#)

9.141 ScrollNextPage

Scrolls to the next page in a DataWindow.

Table 9.295:

To scroll	Use
To the next group of rows in a DataWindow (when the DataWindow does not have the RichTextEdit presentation style)	Syntax 1
A RichTextEdit DataWindow to view the next page within the document (PowerBuilder only)	Syntax 2

9.141.1 Syntax 1 For DataWindow controls and child DataWindows**Description**

Scrolls a DataWindow control forward one page, displaying the next group of rows in the DataWindow's display area. (A page is the number of rows that can be displayed in the

DataWindow control at one time.) ScrollNextPage changes the current row, but not the current column.

Applies to

Table 9.296:

DataWindow type	Method applies to
PowerBuilder	DataWindow control, DataWindowChild object

Syntax

PowerBuilder

```
long dwcontrol.ScrollNextPage ( )
```

Table 9.297:

Argument	Description
dwcontrol	A reference to a DataWindow control or child DataWindow

Return value

Returns the number of the row displayed at the top of the DataWindow control when the scroll finishes or tries to scroll past the last row. ScrollNextPage returns 1 with nested or composite reports and child DataWindows since, in these cases, the current row cannot be changed. ScrollNextPage returns -1 if an error occurs.

If dwcontrol is null, in PowerBuilder and JavaScript the method returns null.

Usage

ScrollNextPage does not highlight the current row. Use SelectRow to let the user know what row is current.

For an example that uses RowCount and Describe to check whether the user has scrolled to the last page, see [RowCount](#).

Events

ScrollNextPage can trigger these events:

- ItemChanged
- ItemError
- ItemFocusChanged
- RowFocusChanged
- RowFocusChanging

Examples

This statement scrolls dw_employee forward one page:

```
dw_employee.ScrollNextPage ( )
```

See also

[Scroll](#)

[ScrollFirstPage](#)[ScrollLastPage](#)[ScrollNextRow](#)[ScrollPriorPage](#)[ScrollPriorRow](#)[ScrollToRow](#)[SelectRow](#)

9.141.2 Syntax 2 For RichTextEdit DataWindows

Description

Scrolls to the next page of the document in a RichTextEdit DataWindow.

Applies to

Table 9.298:

DataWindow type	Method applies to
PowerBuilder	DataWindow control

Syntax

PowerBuilder

```
integer rtedwname.ScrollNextPage ( )
```

Table 9.299:

Argument	Description
rtedwname	A reference to a DataWindow control. The DataWindow object in the DataWindow control must be a RichTextEdit DataWindow.

Return value

Returns 1 if it succeeds and -1 if an error occurs. If rtedwname is null, in PowerBuilder and JavaScript the method returns null.

Usage

A RichText DataWindow contains multiple instances of the document, one instance for each row. When the last page of the document for one row is visible, calling ScrollNextPage advances to the first page for the next row.

PowerBuilder RichTextEdit control

You can use the same syntax with a PowerBuilder RichTextEdit control. See Section 2.4.666, “ScrollNextPage” in *PowerScript Reference*.

Examples

This statement scrolls to the next page of the RichText document in the DataWindow control `dw_rpt`. If there are multiple instances of the document, it can scroll to the next instance:

```
dw_rpt.ScrollNextPage()
```

See also

[Scroll](#)

[ScrollNextRow](#)

[ScrollPriorPage](#)

[ScrollPriorRow](#)

9.142 ScrollNextRow

Scrolls to the next row in a DataWindow control.

Table 9.300:

To scroll	Use
To the next row in a DataWindow, making the row current (when the DataWindow does not have the RichTextEdit presentation style)	Syntax 1
To the next instance of a document associated with a row in a RichTextEdit DataWindow (PowerBuilder only)	Syntax 2

9.142.1 Syntax 1 For DataWindow controls and child DataWindows

Description

Scrolls a DataWindow control to the next row (forward one row). `ScrollNextRow` changes the current row, but not the current column.

Applies to

Table 9.301:

DataWindow type	Method applies to
PowerBuilder	DataWindow control, DataWindowChild object

Syntax

PowerBuilder

```
long dwcontrol.ScrollNextRow ( )
```

Table 9.302:

Argument	Description
<code>dwcontrol</code>	A reference to a DataWindow control or child DataWindow

Return value

Returns the number of the row displayed at the top of the DataWindow control when the scroll finishes or tries to scroll past the last row. `ScrollNextRow` returns -1 if an error occurs.

If `dwcontrol` is null, in PowerBuilder and JavaScript the method returns null.

Usage

After you call `ScrollNextRow`, the row after the current row becomes the new current row. If that row is already visible, the displayed rows do not change. If it is not visible, the displayed rows move up to display the row.

`ScrollNextRow` does not highlight the row. Use `SelectRow` to let the user know what row is current.

Events

`ScrollNextRow` triggers these events in the order shown:

RowFocusChanging
RowFocusChanged
ItemFocusChanged
ScrollVertical

You should not use `ScrollNextRow` in the `ScrollVertical` event. Doing so causes this series of events to be triggered repeatedly until the last row in the DataWindow is reached.

Examples

This statement scrolls `dw_employee` to the next row:

```
dw_employee.ScrollNextRow( )
```

See also

[Scroll](#)

[ScrollNextPage](#)

[ScrollPriorPage](#)

[ScrollPriorRow](#)

[ScrollToRow](#)

[SelectRow](#)

9.142.2 Syntax 2 For RichTextEdit DataWindows

Description

Scrolls to the next instance of the document in a RichTextEdit DataWindow.

Applies to

Table 9.303:

DataWindow type	Method applies to
PowerBuilder	DataWindow control

Syntax

PowerBuilder

```
integer rtename.ScrollNextRow ( )
```

Table 9.304:

Argument	Description
rtename	A reference to a DataWindow control in which you want to scroll to the next document instance. Each instance is associated with a DataWindow row. The DataWindow object in the DataWindow control must be a RichTextEdit DataWindow.

Return value

Returns 1 if it succeeds and -1 if an error occurs.

Usage

A DataWindow control with a RichText DataWindow object has multiple instances of the RichText document, where each instance is associated with one row of retrieved data.

ScrollNextRow advances to the next instance of the RichTextEdit document. In contrast, repeated calls to ScrollNextPage advance through all the pages of the document instance and then on to the pages for the next row.

PowerBuilder RichTextEdit control

You can use the same syntax with any PowerBuilder RichTextEdit control. See Section 2.4.667, “ScrollNextRow” in *PowerScript Reference*.

Examples

This statement scrolls to the next instance of the RichText document in the DataWindow control dw_rpt. (Each document instance is associated with a row of data):

```
dw_rpt.ScrollNextRow()
```

See also

[Scroll](#)

[ScrollNextPage](#)

[ScrollPriorPage](#)

[ScrollPriorRow](#)

9.143 ScrollPriorPage

Scrolls to the prior page in a DataWindow control.

Table 9.305:

To scroll	Use
To the prior group of rows in a DataWindow (when the DataWindow does not have the RichTextEdit presentation style)	Syntax 1
A RichTextEdit DataWindow to view the prior page within the document (PowerBuilder only)	Syntax 2

9.143.1 Syntax 1 For DataWindow controls and child DataWindows

Description

Scrolls a DataWindow control backward one page, displaying another group of rows in the DataWindow's display area. (A page is the number of rows that can be displayed in the DataWindow control at one time.) ScrollPriorPage changes the current row but not the current column.

Applies to

Table 9.306:

DataWindow type	Method applies to
PowerBuilder	DataWindow control, DataWindowChild object

Syntax

PowerBuilder

```
long dwcontrol.ScrollPriorPage ( )
```

Table 9.307:

Argument	Description
dwcontrol	The name of the DataWindow control or child DataWindow you want to page (scroll) to the prior page

Return value

Returns the number of the row displayed at the top of the DataWindow control when the scroll finishes or tries to scroll past the first row. ScrollPriorPage returns -1 if an error occurs.

If dwcontrol is null, in PowerBuilder and JavaScript the method returns null.

Usage

ScrollPriorPage does not highlight the current row. Use SelectRow to let the user know what row is current.

Events

ScrollPriorPage can trigger these events:

- ItemChanged
- ItemError
- ItemFocusChanged
- RowFocusChanged
- RowFocusChanging

Examples

This statement scrolls dw_employee backward one page:

```
dw_employee.ScrollPriorPage ( )
```

See also

[Scroll](#)

[ScrollFirstPage](#)[ScrollLastPage](#)[ScrollNextPage](#)[ScrollNextRow](#)[ScrollPriorRow](#)[ScrollToRow](#)[SelectRow](#)

9.143.2 Syntax 2 For RichTextEdit DataWindows

Description

Scrolls to the prior page of the document in a RichTextEdit DataWindow.

Applies to

Table 9.308:

DataWindow type	Method applies to
PowerBuilder	DataWindow control

Syntax

PowerBuilder

```
integer rtename.ScrollPriorPage ( )
```

Table 9.309:

Argument	Description
rtename	The name of the DataWindow control in which you want to scroll to the prior page. The DataWindow object in the DataWindow control must be a RichTextEdit DataWindow.

Return value

Returns 1 if it succeeds and -1 if an error occurs.

Usage

A RichText DataWindow contains multiple instances of the document, one instance for each row. When the first page of the document for one row is visible, calling ScrollPriorPage goes to the last page for the prior row.

PowerBuilder RichTextEdit control

You can use the same syntax with any PowerBuilder RichTextEdit control. See Section 2.4.668, “ScrollPriorPage” in *PowerScript Reference*.

Examples

This statement scrolls to the prior page of the RichText document in the DataWindow control `dw_rpt`. If there are multiple instances of the document, it can scroll to the prior instance:

```
dw_rpt.ScrollPriorPage()
```

See also

[Scroll](#)

[ScrollNextPage](#)

[ScrollNextRow](#)

[ScrollPriorRow](#)

9.144 ScrollPriorRow

Scrolls to the prior row in a DataWindow control.

Table 9.310:

To scroll	Use
To the prior row in a DataWindow, making the row current (when the DataWindow does not have the RichTextEdit presentation style)	Syntax 1
To the prior instance of a document associated with a row in a RichTextEdit control or RichTextEdit DataWindow	Syntax 2

9.144.1 Syntax 1 For DataWindow controls and child DataWindows

Description

Scrolls a DataWindow control backward one row. `ScrollPriorRow` changes the current row but not the current column.

Applies to

Table 9.311:

DataWindow type	Method applies to
PowerBuilder	DataWindow control, DataWindowChild object

Syntax

PowerBuilder

```
long dwcontrol.ScrollPriorRow ( )
```

Table 9.312:

Argument	Description
<code>dwcontrol</code>	A reference to a DataWindow or child DataWindow

Return value

Returns the number of the row displayed at the top of the DataWindow control when the scroll finishes or tries to scroll past the first row. `ScrollPriorRow` returns -1 if an error occurs.

If `dwcontrol` is null, in PowerBuilder and JavaScript the method returns null.

Usage

After you call `ScrollPriorRow`, the row before the current row becomes the new current row. If that row is already visible, the displayed rows do not change. If it is not visible, the displayed rows move down to display the row.

`ScrollPriorRow` does not highlight the row. Use `SelectRow` to let the user know what row is current.

Events

`ScrollPriorRow` triggers these events in the order shown:

RowFocusChanging
 RowFocusChanged
 ItemFocusChanged
 ScrollVertical

You should not use `ScrollPriorRow` in the `ScrollVertical` event. Doing so causes this series of events to be triggered repeatedly until the first row in the DataWindow is reached.

Examples

This statement scrolls `dw_employee` to the prior row:

```
dw_employee.ScrollPriorRow( )
```

See also

[Scroll](#)

[ScrollNextPage](#)

[ScrollNextRow](#)

[ScrollPriorPage](#)

[ScrollToRow](#)

[SelectRow](#)

9.144.2 Syntax 2 For RichTextEdit DataWindows

Description

Scrolls to the prior instance of the document in a RichTextEdit DataWindow.

Applies to

Table 9.313:

DataWindow type	Method applies to
PowerBuilder	DataWindow control

Syntax

PowerBuilder

```
integer rtename.ScrollPriorRow ( )
```

Table 9.314:

Argument	Description
rtename	The name of the DataWindow control in which you want to scroll to the prior document instance. Each instance is associated with a DataWindow row. The DataWindow object in the DataWindow control must be a RichTextEdit DataWindow

Return value

Returns 1 if it succeeds and -1 if an error occurs.

Usage

A DataWindow control with a RichText DataWindow object has multiple instances of the RichText document, where each instance is associated with one row of retrieved data.

ScrollPriorRow goes to the prior instance of the RichTextEdit document. In contrast, repeated calls to ScrollPriorPage pages back through all the pages of the document instance and then back to the pages for the prior row.

PowerBuilder RichTextEdit control

You can use the same syntax with any PowerBuilder RichTextEdit control. See Section 2.4.669, “ScrollPriorRow” in *PowerScript Reference*.

Examples

This statement scrolls to the prior instance of the RichText document in the DataWindow control dw_1. (Each document instance is associated with a row of data):

```
dw_rpt.ScrollPriorRow()
```

See also

[Scroll](#)

[ScrollNextPage](#)

[ScrollNextRow](#)

[ScrollPriorPage](#)

9.145 ScrollToRow**Description**

Scrolls a DataWindow control to the specified row. ScrollToRow changes the current row but not the current column.

Applies to**Table 9.315:**

DataWindow type	Method applies to
PowerBuilder	DataWindow control, DataWindowChild object

Syntax

PowerBuilder

```
integer dwcontrol.ScrollToRow ( long row )
```

Table 9.316:

Argument	Description
dwcontrol	A reference to a DataWindow control or child DataWindow.
row	A value identifying the row to which you want to scroll. If row is 0, ScrollToRow scrolls to the first row. If row is greater than the last row number, it scrolls to the last row. If row is visible without scrolling, the DataWindow does not scroll.

Return value

Returns the number of the row to which the DataWindow scrolls if it succeeds and -1 if an error occurs.

If any argument's value is null, in PowerBuilder and JavaScript the method returns null.

Usage

After you call ScrollToRow, the specified row becomes the new current row. If that row is already visible, the displayed rows do not change. If the row is not visible, the displayed rows change to display the row.

ScrollToRow does not highlight the row. Use SelectRow to let the user know what row is current.

Events

ScrollToRow can trigger these events:

- ItemChanged
- ItemError
- ItemFocusChanged
- RowFocusChanged

Examples

This statement scrolls to row 10 and makes it current in the DataWindow control dw_employee:

```
dw_employee.ScrollToRow(10)
```

See also

[Scroll](#)

[ScrollNextPage](#)

[ScrollNextRow](#)

[ScrollPriorPage](#)

[ScrollPriorRow](#)

[SelectRow](#)

9.146 SelectedLength

Description

Determines the total number of characters in the selected text in an edit control, including spaces and line endings.

Applies to

Table 9.317:

DataWindow type	Method applies to
PowerBuilder	DataWindow control

Syntax

PowerBuilder

```
long dwcontrol.SelectedLength ( )
```

Table 9.318:

Argument	Description
dwcontrol	A reference to a DataWindow control. SelectedLength reports the length of the selected text in the edit control over the current row and column.

Return value

Returns the length of the selected text in dwcontrol. If no text is selected, SelectedLength returns 0. If an error occurs, it returns -1.

If dwcontrol is null, in PowerBuilder and JavaScript the method returns null.

Usage

The characters that make up a line ending, produced by typing Ctrl+Enter or Enter, are different on different platforms. On Windows, they are a carriage return plus a line feed and equal two characters when calculating the length. On other platforms, a line ending can be a single character. A line that wraps has no line-ending character.

RichText DataWindows

For rich text controls, a carriage return plus a line feed always count as a single character when calculating the text length.

PowerBuilder environment

For use with other PowerBuilder controls, see Section 2.4.677, “SelectedLength” in *PowerScript Reference*.

Examples

If the selected text in the DataWindow dw_Contact is John Smith, then this example sets the variable to 10, the number of selected characters:

```
integer li_length
li_length = dw_Contact.SelectedLength()
```

See also[SelectedLine](#)[SelectedStart](#)[TextLine](#)**9.147 SelectedLine****Description**

Obtains the number of the line that contains the insertion point in an editable control.

Applies to**Table 9.319:**

DataWindow type	Method applies to
PowerBuilder	DataWindow control

Syntax**PowerBuilder**

```
long dwcontrol.SelectedLine ( )
```

Table 9.320:

Argument	Description
dwcontrol	A reference to a DataWindow control. It reports the line number in the edit control over the current row and column.

Return value

Returns the number of the line containing the insertion point in dwcontrol. If an error occurs, SelectedLine returns -1. If dwcontrol is null, SelectedLine returns null.

Usage

The insertion point can be at the beginning or end of the selection. Therefore, SelectedLine can return the first or last selected line, depending on the position of the insertion point.

PowerBuilder environment

For use with other PowerBuilder controls, see Section 2.4.678, “SelectedLine” in *PowerScript Reference*.

Examples

If the insertion point is positioned anywhere in line 5 of the MultiLineEdit mle_Contact, the following example sets li_SL to 5:

```
integer li_SL
li_SL = mle_Contact.SelectedLine()
```

In this example, the line the user selects in the MultiLineEdit mle_winselect determines which window to open:

```
integer li_SL

li_SL = mle_winselect.SelectedLine()
IF li_SL = 1 THEN
    Open(w_emp_data)
ELSEIF li_SL = 2 THEN
    Open(w_dept_data)
END IF
```

See also[Position](#)[SelectedText](#)[TextLine](#)

9.148 SelectedStart

Description

Reports the position of the first selected character in the edit control.

Applies to**Table 9.321:**

DataWindow type	Method applies to
PowerBuilder	DataWindow control

Syntax**PowerBuilder**

```
long dwcontrol.SelectedStart ( )
```

Table 9.322:

Argument	Description
dwcontrol	A reference to a DataWindow control. It reports the starting position in the edit control over the current row and column.

Return value

Returns the starting position of the selected text in dwcontrol. If no text is selected, SelectedStart returns the position of the character immediately following the insertion point. If an error occurs, SelectedStart returns -1.

If dwcontrol is null, in PowerBuilder and JavaScript the method returns null.

Usage

SelectedStart counts from the start of the text and includes spaces and line endings.

PowerBuilder environment

For use with RichTextEdit and other PowerBuilder controls, see Section 2.4.680, “SelectedStart” in *PowerScript Reference*.

Examples

If the edit control for the DataWindow control `dw_rpt` contains Closed for Vacation July 3 to July 10, and Vacation is selected, then this example sets the variable to 12 (the position of the first character in Vacation):

```
integer li_Start
li_Start = dw_rpt.SelectedStart()
```

See also

[Position](#)

[SelectedLength](#)

[SelectedLine](#)

9.149 SelectedText

Description

Obtains the selected text in the edit control of a DataWindow control.

Applies to

Table 9.323:

DataWindow type	Method applies to
PowerBuilder	DataWindow control

Syntax

PowerBuilder

```
string dwcontrol.SelectedText ( )
```

Table 9.324:

Argument	Description
<code>dwcontrol</code>	A reference to a DataWindow control. The method reports the selected text in the edit control over the current row and column.

Return value

Returns the selected text in `dwcontrol`. If there is no selected text or if an error occurs, `SelectedText` returns the empty string ("").

If `dwcontrol` is null, in PowerBuilder and JavaScript the method returns null.

Usage

PowerBuilder environment

For use with RichTextEdit and other PowerBuilder controls, see Section 2.4.681, "SelectedText" in *PowerScript Reference*.

Examples

If the text in the edit control of the DataWindow `dw_rpt` is James B. Smith and James B. is selected, these statements set the value of the string variable to James B:

```
string ls_emp_fname
ls_emp_fname = dw_rpt.SelectedText()
```

See also[SelectText](#)

9.150 SelectRow

Description

Highlights or removes highlights from rows in a DataWindow control or DataStore. You can select all rows or a single row. SelectRow does not affect which row is current. It does not select rows in the database.

Applies to**Table 9.325:**

DataWindow type	Method applies to
PowerBuilder	DataWindow control, DataWindowChild object, DataStore object

Syntax**PowerBuilder**

```
integer dwcontrol.SelectRow ( long row, boolean select )
```

Table 9.326:

Argument	Description
dwcontrol	A reference to a DataWindow control, DataStore, or child DataWindow.
row	A value identifying the row you want to select or deselect. Specify 0 to select or deselect all rows.
select	A boolean value that determines whether the row is selected or not selected: <ul style="list-style-type: none"> • True -- Select the row(s) so that they are highlighted. • False -- Deselect the row(s) so that they are not highlighted.

Return value

Returns 1 if it succeeds and -1 if an error occurs. If any argument's value is null, in PowerBuilder and JavaScript the method returns null. If there is no DataWindow object assigned to the DataWindow control or DataStore, the method returns 1.

Usage

If a row is already selected and you specify that it be selected (boolean is true), it remains selected. If a row is not selected and you specify that it not be selected (boolean is false), it remains unselected.

Examples

This statement selects the fifteenth row in dw_employee:


```
dw_employee.SelectRow(15, true)
```

As the script for a DataWindow's Clicked event, this example removes highlighting from all rows and then highlights the row the user clicked. Row is an argument passed to the event script:

```
This.SelectRow(0, false)
This.SelectRow(row, true)
```

See also

[IsSelected](#)

9.151 SelectText

Selects text in an edit control.

Table 9.327:

To select text in	Use
A DataWindow when the DataWindow does not have the RichTextEdit presentation style, or a RichText edit-style column in such a DataWindow	Syntax 1
A DataWindow whose object has the RichTextEdit presentation style (PowerBuilder only)	Syntax 2

9.151.1 Syntax 1 For DataWindows with standard edit styles

Description

Selects text in an editable control. You specify where the selection begins and how many characters to select.

This method works for DataWindows with standard edit styles (non-RichTextEdit style), or columns which have the RichText edit style in such DataWindows.

Applies to

Table 9.328:

DataWindow type	Method applies to
PowerBuilder	DataWindow control

Syntax

PowerBuilder

```
long dwcontrol.SelectText ( long start, long length )
```

Table 9.329:

Argument	Description
dwcontrol	A reference to a DataWindow control.
start	A numeric value specifying the position at which you want to start the selection.

Argument	Description
length	A numeric value specifying the number of characters you want to select. If length is 0, no text is selected but SelectText moves the insertion point to the location specified in start.

Return value

Returns the number of characters selected. If an error occurs, SelectText returns -1.

If any argument's value is null, in PowerBuilder and JavaScript the method returns null.

Usage

If the control does not have the focus when you call SelectText, then the text is not highlighted until the control has focus. To set focus on the control so that the selected text is highlighted, call the SetFocus function.

To select text in a DataWindow with the RichTextEdit presentation style, use Syntax 2.

PowerBuilder environment

For use with other PowerBuilder controls, see Section 2.4.686, "SelectText" in *PowerScript Reference*.

Backward selection in a RichText edit-style column

Both the new control and the old control cannot correctly handle the backward selection in a RichText edit-style column via the SelectText (although forward selection is well supported).

When backward selecting a string (which means length is a negative number) in a RichText edit-style column, the old control will only select the character before the last one and return 1. The new control will select two more extra characters and returns the number of the actual selected characters. For example, in the following statement, the old control selects the 9th characters and returns 1; while the new control will select 7 characters from 4th to 10th, and returns 7.

```
dw_1.selectText(10,-5)
```

Examples

This statement sets the insertion point at the end of the text in the DataWindow edit control:

```
dw_1.SelectText(dw_1.GetText(), 0)
```

This statement selects the entire contents of the DataWindow edit control:

```
dw_1.SelectText(1, Len(dw_1.GetText()))
```

The rest of these examples assume the DataWindow edit control contains Boston Street.

The following statement selects the string ost and returns 3:

```
dw_1.SelectText(2, 3)
```

The next statement selects the string oston Street and returns 12:

```
dw_1.SelectText(2, Len(dw_1.GetText()))
```

These statements select the string Bos, returns 3, and sets the focus to the DataWindow control so that Bos is highlighted:

```
dw_1.SelectText(1, 3)
dw_1.SetFocus()
```

See also

[Position](#)

[SelectedText](#)

[TextLine](#)

9.151.2 Syntax 2 For RichTextEdit DataWindows

Description

Selects text beginning and ending at a line and character position in a RichText DataWindow.

Applies to

Table 9.330:

DataWindow type	Method applies to
PowerBuilder	DataWindow control

Syntax

PowerBuilder

```
long rtedwcontrol.SelectText ( long fromline, long fromchar, long toline, long
tochar { band band } )
```

Table 9.331:

Argument	Description
rtedwcontrol	A reference to the DataWindow control in which you want to select text. The DataWindow object in the DataWindow control must have the RichText presentation style.
fromline	A value specifying the line number where the selection starts.
fromchar	A value specifying the number in the line of the first character in the selection.
toline	A value specifying the line number where the selection ends. To specify an insertion point, set toline and tochar to 0.
tochar	A value specifying the number in the line of the character before which the selection ends.
band (optional)	A value of the Band enumerated datatype specifying the band in which to make the selection. Values are: <ul style="list-style-type: none"> Detail!

Argument	Description
	<ul style="list-style-type: none">• Header!• Footer! <p>The default is the band that contains the insertion point.</p>

Return value

Returns the number of characters selected. A carriage return with a line feed counts as a single character. If an error occurs `SelectText` returns -1. If any argument's value is null, it returns null.

Usage

The insertion point is at the "to" end of the selection -- that is, the position specified by `toline` and `tochar`. If `toline` and `tochar` are before `fromline` and `fromchar`, then the insertion point is at the beginning of the selection.

You cannot specify 0 for a character position when making a selection.

You cannot always use the values returned by `Position` to make a selection. `Position` can return a character position of 0 when the insertion point is at the beginning of a line.

To select an entire line, set the insertion point and call `SelectTextLine`. To select the rest of a line, set the insertion point and call `SelectText` with a character position greater than the line length.

PowerBuilder environment

For use with other PowerBuilder controls, see Section 2.4.686, "SelectText" in *PowerScript Reference*.

Examples

`SelectText` is used in the same way for `RichTextEdit` controls and `RichText DataWindow` controls. For sample code, see the examples for the `RichTextEdit` control in the Part I, "PowerScript Reference".

See also

[SelectedText](#)

[SelectTextAll](#)

[SelectTextLine](#)

[SelectTextWord](#)

9.152 SelectTextAll

Description

Selects all the contents of a `RichTextEdit` control including any special characters such as carriage return and end-of-file markers.

Applies to

Table 9.332:

DataWindow type	Method applies to
PowerBuilder	DataWindow control

Syntax

PowerBuilder

```
integer rtename.SelectTextAll ( band band )
```

Table 9.333:

Argumen	Description
rtename	A reference to a DataWindow control in which you want to select all the contents. The DataWindow object in the DataWindow control must be a RichTextEdit DataWindow.
band (optional)	A value of the Band enumerated datatype specifying the band in which you want to select all the text. Values are: <ul style="list-style-type: none"> • Detail! • Header! • Footer! <p>The default is the band that contains the insertion point.</p>

Return value

Returns the number of characters selected. A carriage return with a line feed counts as a single character. If an error occurs, SelectTextAll returns -1.

Usage

PowerBuilder RichTextEdit control

You can use the same syntax with a PowerBuilder RichTextEdit control. See Section 2.4.687, "SelectTextAll" in *PowerScript Reference*.

Examples

This statement selects all the text in the detail band:

```
dw_1.SelectTextAll()
```

This statement selects all the text in the header band:

```
dw_1.SelectTextAll(Header!)
```

See also

[SelectedText](#)

[SelectText](#)

[SelectTextLine](#)

[SelectTextWord](#)

9.153 SelectTextLine

Description

Selects the line containing the insertion point in a RichTextEdit control.

Applies to

Table 9.334:

DataWindow type	Method applies to
PowerBuilder	DataWindow control

Syntax

PowerBuilder

```
integer rtename.SelectTextLine ( )
```

Table 9.335:

Argument	Description
rtename	A reference to a DataWindow control. The DataWindow object in the DataWindow control must be a RichTextEdit DataWindow.

Return value

Returns the number of characters selected if it succeeds and -1 if an error occurs.

Usage

If the RichTextEdit control contains a selection, the insertion point can be at the beginning or end of the selection. The way the text was selected determines the location.

If the user made the selection by dragging toward the end, then calling SelectTextLine selects the line at the end of the selection. If the user dragged back, then SelectTextLine selects the line at the beginning of the selection.

SelectTextLine does not select the line-ending characters (carriage return and linefeed).

PowerBuilder RichTextEdit control

You can use the same syntax with a PowerBuilder RichText Edit control. See Section 2.4.688, “SelectTextLine” in *PowerScript Reference*.

Examples

This statement selects the current line:

```
dw_1.SelectTextLine()
```

See also

[SelectedText](#)

[SelectText](#)

[SelectTextAll](#)[SelectTextWord](#)

9.154 SelectTextWord

Description

Selects the word containing the insertion point in a RichTextEdit control.

Applies to

Table 9.336:

DataWindow type	Method applies to
PowerBuilder	DataWindow control

Syntax

PowerBuilder

```
integer rtename.SelectTextWord ( )
```

Table 9.337:

Argument	Description
rtename	A reference to a DataWindow control in which you want to select a word. The DataWindow object in the DataWindow control must be a RichTextEdit DataWindow.

Return value

Returns the number of characters selected if it succeeds and -1 if a word cannot be selected or an error occurs.

Usage

A word is any group of alphanumeric characters. A word can include underscores and single quotes but doesn't include punctuation and special characters such as \$ or #.

If punctuation or special characters follow the selected word, they are not selected. If the character after the insertion point is a space, punctuation, special character, or end-of-line mark, SelectTextWord does not select anything and returns -1.

PowerBuilder RichTextEdit control

You can use the same syntax with a PowerBuilder RichText Edit control. See Section 2.4.689, "SelectTextWord" in *PowerScript Reference*.

Examples

The following statement selects the word containing the insertion point:

```
dw_1.SelectTextWord( )
```

For more examples, see examples for the RichTextEdit control in Part I, "PowerScript Reference".

See also[SelectedText](#)[SelectText](#)[SelectTextAll](#)[SelectTextLine](#)**9.155 SelectTreeNode****Description**

Selects or deselects a TreeView node in a TreeView DataWindow.

Applies to**Table 9.338:**

DataWindow type	Method applies to
PowerBuilder	DataWindow control

Syntax**PowerBuilder**

```
Integer dw_control.SelectTreeNode(long row, long groupLevel, boolean bSelect)
```

Table 9.339:

Argument	Description
dw_control	A reference to a TreeView-style DataWindow control
row	The number of the row that belongs to the group
groupLevel	The TreeView level of the group
bSelect	Indicates whether the TreeView node is selected or not

Return value

Returns 1 if the SelectTreeNode operation succeeds and one of the following negative values if it fails:

- 1 -- DataWindow is null
- 5 -- One or more of the parameters are invalid
- 16 -- DataWindow is not a TreeView DataWindow

Usage

A TreeView DataWindow has several TreeView nodes that can be selected or deselected. You can use the SelectTreeNode method to select or deselect a TreeView node in a TreeView DataWindow that has a particular TreeView level.

The SelectTreeNode method triggers the TreeNodeSelecting and TreeNodeSelected events with a row argument of -1.

Examples

The following example selects the node specified by the text box values:

```
long row
long level
row=long(sle_row.text)
level=long(sle_level.text)
dw_1.SelectTreeNode(row,level,true)
```

9.156 SetAction (obsolete)

Description

Accepts action and context information about user interaction with the Web DataWindow client control in a Web browser so that generated HTML reflects any requested changes.

Obsolete method

SetAction is obsolete and should not be used, because the Web DataWindow technology is obsolete.

Applies to

Table 9.340:

DataWindow type	Method applies to
Web	Server component

Syntax

Web DataWindow server component

```
integer dwcomponent.SetAction ( string action, string context )
```

Table 9.341:

Argument	Description
dwcomponent	A reference to a Web DataWindow server component.
action	A string describing an action associated with a button click or method call in a Web DataWindow client control on a Web page. The value of action is stored in a page parameter called HTMLGenObjectName_action.
context	A string describing the context of action in the Web DataWindow client control. The string is generated by a Web DataWindow script and the value is stored in a page parameter called HTMLGenObjectName_context. The format is not documented and subject to change.

Return value

Returns 1 if it succeeds and one of these negative values if an error occurs:

-1 -- Reloading the current context failed

- 2 -- The action was attempted but it failed
- 3 -- The action could not be performed (for example, the action was InsertRow but the DataWindow has no editable fields for entering new data)
- 4 -- The action was aborted by the [HTMLContextApplied](#) event

Usage

When the user clicks a button in the Web DataWindow client control, the JavaScript for the control stores the action in a page parameter called HTMLGenObjectName_action, and it stores the context in a page parameter called HTMLGenObjectName_context. These parameters are passed to the page server which uses them to call the SetAction method for the server component.

The SetAction method uses the SetHTMLAction method of the DataWindow.

Call GetLastError and GetLastErrorString to get information about database errors that cause SetAction, Update, Retrieve, and RetrieveEx to return -1.

Examples

This JSP example calls SetAction for the server component called dwGen:

```
int retVal;
String dw_1_action = (String)request.getParameter ("dw_1_action");
String dw_1_context = (String)request.getParameter ("dw_1_context");
if (dw_1_context == null){
    dw_1_context = " ";
}
// Check if we need to perform the action
if (dw_1_action!=null){
    retVal = dwGen.SetAction(dw_1_action, dw_1_context);
    if (retVal < 0 ) {
        out.print("Error on SetAction: " + retVal + "<BR>");
        out.print(dwGen.GetLastErrorString()+ "<BR>");
    }
}
```

See also

[GetLastError](#)

[GetLastErrorString](#)

[SetHTMLAction](#)

9.157 SetActionCode (obsolete)

Description

Sets the action code for an event in a DataWindow control. The action code determines the action that PowerBuilder takes following the event. The default action code is 0.

Where to use SetActionCode

SetActionCode is obsolete in PowerBuilder. To return a value, include a RETURN statement in the event script using the return codes documented for that event.

Applies to

Table 9.342:

DataWindow type	Method applies to
PowerBuilder	DataWindow control, DataWindowChild object

Syntax**PowerBuilder**

```
integer dwcontrol.SetActionCode ( long code )
```

Table 9.343:

Argument	Description
dwcontrol	A reference to a DataWindow control or child DataWindow.
code	A value specifying the action you want to take in the DataWindow control. The meaning of the action code depends on the event.

Return value

Returns 1 if it succeeds and -1 if an error occurs. If any argument's value is null, SetActionCode returns null.

Usage

Use SetActionCode to change the action that occurs following a DataWindow event. Not all DataWindow events have action codes, only those events that can have different outcomes.

SetActionCode last statement in script

Although SetActionCode is not required to be the last statement in a script, it may not perform as expected if other statements follow it.

Examples

In the ItemChanged event script for dw_Employee, these statements set the action code in dw_Employee to reject data that is less than the employee's age:

```
integer a, age
age = Integer(sle_Age.Text)
a = Integer(dw_Employee.GetText())
IF a < age THEN dw_Employee.SetActionCode(1)
```

This example shows a script for the DBError event script that displays a version of the error message to the user. Because PowerBuilder also displays a message to the user after the event, the script calls SetActionCode to set the action code to 1, which suppresses the PowerBuilder error message:

```
integer errnum
errnum = dw_emp.DBErrorCode()

// Show error code and message to the user
MessageBox("Database Error", &
    "Number " + String(errnum) + " " + &
    dw_emp.DBErrorMessage(), StopSign!)

// Stop PowerBuilder from displaying its message
```

```
dw_emp.SetActionCode(1)
```

9.158 SetBorderStyle

Description

Sets the border style of a column in a DataWindow control or DataStore.

Applies to

Table 9.344:

DataWindow type	Method applies to
PowerBuilder	DataWindow control, DataWindowChild object, DataStore object

Syntax

PowerBuilder

```
integer dwcontrol.SetBorderStyle ( integer column, border borderstyle )
integer dwcontrol.SetBorderStyle ( string column, border borderstyle )
```

Table 9.345:

Argument	Description
dwcontrol	A reference to a DataWindow control, DataStore, or child DataWindow.
column	The column in which you want to change the border style. Column can be a column number or a column name.
borderstyle	A value of the Border enumerated datatype identifying the border style you want to use for the column. For a list of valid values, see Border .

Return value

Returns 1 if it succeeds and -1 if an error occurs. If any argument's value is null, in PowerBuilder and JavaScript the method returns null.

Examples

This example checks the border of column 2 in dw_emp and, if there is no border, gives it a shadow box border:

```
Border B3
B3 = dw_emp.GetBorderStyle(2)
IF B3 = NoBorder! THEN &
    dw_emp.SetBorderStyle(2, ShadowBox!)
```

See also

[GetBorderStyle](#)

9.159 SetBrowser (obsolete)

Description

Specifies the Web browser for which you want to generate optimized HTML.

Obsolete method

SetBrowser is obsolete and should not be used, because the Web DataWindow technology is obsolete.

Applies to**Table 9.346:**

DataWindow type	Method applies to
Web	Server component

Syntax**Web DataWindow server component**

```
string dwcomponent.SetBrowser ( string browsername )
```

Table 9.347:

Argument	Description
dwcomponent	A reference to a Web DataWindow server component.
browsername	A string identifying the browser and version. The value should match the string passed to the Web server in the HTTP header. The corresponding server variable is HTTP_USER_AGENT. Sets the value of the HTMLGen.Browser property for the DataWindow object associated with the server component. For information on recognized browsers, see HTMLGen.property .

Return value

Returns an empty string if successful and the syntax error message from the Modify method if it fails.

Usage

If the DataWindow recognizes the browser identifier, it will generate HTML optimized for that browser. A server-side script can get the browser identifier from the server variable HTTP_USER_AGENT.

This method calls the Modify method of the server component's DataStore to set the property.

Examples

This JSP example identifies the current browser for the component called dwGen:

```
String browser = (String)request.getHeader ("User-Agent");
dwGen.SetBrowser(browser);
```

In ASP, you can use the ServerVariables method of the Request object to get the HTTP_USER_AGENT value:

```
var clientbrowser = Request.ServerVariables("HTTP_USER_AGENT");
dwGen.SetBrowser(clientbrowser);
```

See also

[Generate](#)[Modify](#)[SetAction](#)[HTMLGen.property](#)

9.160 SetChanges

Description

Applies changes captured with GetChanges to a DataWindow or DataStore. This method is used primarily in distributed applications.

Applies to

Table 9.348:

DataWindow type	Method applies to
PowerBuilder	DataWindow control, DataStore object

Syntax

PowerBuilder

```
long dwcontrol.SetChanges ( blob changeblob {, dwConflictResolution resolution } )
```

Table 9.349:

Argument	Description
dwcontrol	A reference to a DataWindow control or DataStore.
changeblob	A read-only change blob created with GetChanges from which you want to apply changes.
resolution (obsolete)	A value of the dwConflictResolution enumerated datatype indicating how conflicts should be resolved: <ul style="list-style-type: none"> FailOnAnyConflict! (default) AllowPartialChanges! This argument is obsolete and will be disabled in a future release.

Return value

Returns one of the following values:

1 -- All changes were applied

2 -- A partial update was successful; conflicting changes were discarded

-1 -- Method failed

-2 -- There is a conflict between the state of the DataWindow changeblob and the state of the DataWindow

-3 -- Column specifications do not match

If any argument's value is null, in PowerBuilder and JavaScript the method returns null.

Usage

Use this method in conjunction with `GetChanges` to synchronize two or more `DataWindows` or `DataStores`. `GetChanges` retrieves data buffers and status flags for changed rows in a `DataWindow` or `DataStore` and places this information in a blob. `SetChanges` then applies the contents of this blob to another `DataWindow` or `DataStore`.

Calling `SetChanges` when no changes are pending

`GetChanges` returns 0 if no changes are pending. This can happen if `AcceptText` is not called after rows are modified. In this case, calling `SetChanges` will fail, with a return code of -1.

If you call `GetChanges` on a `DataWindow` and apply the data passed in the changeblob argument to another `DataWindow` using `SetChanges`, you must call `GetChanges` on the second `DataWindow` before you reapply changes to it from the first `DataWindow`. The `GetChanges` call on the second `DataWindow` updates the original timestamp on that `DataWindow` so that it matches the current timestamp. (You cannot use the `Reset`, `ResetUpdate`, or `AcceptText` calls to update the original timestamp.) If you try to reapply changes without first calling `GetChanges` on the second `DataWindow`, you will get an error due to the conflict between the state of the `DataWindow` changeblob and the state of the second `DataWindow`.

Examples

The following example is a script for a remote object function. The script uses `SetChanges` to apply changes made to a `DataWindow` control on a client to a `DataStore` on a server. The changes made on the client are contained in a change blob that is passed as an argument to the function. After applying changes to the `DataStore`, the server updates the database:

```
// Instance variable:datastore ids_datastore
// Function argument: blob ablb_data
long ll_rv

ids_datastore.SetChanges(ablb_data)
ll_rv = ids_datastore.Update()

IF ll_rv > 0 THEN
    COMMIT;
ELSE
    ROLLBACK;
END IF
RETURN ll_rv
```

See also

[GetChanges](#)

[GetFullState](#)

[GetStateStatus](#)

[SetFullState](#)

9.161 SetColumn

Description

Sets the current column in a DataWindow control or DataStore.

Applies to

Table 9.350:

DataWindow type	Method applies to
PowerBuilder	DataWindow control, DataWindowChild object, DataStore object

Syntax

PowerBuilder

```
integer dwcontrol.SetColumn ( string column)
integer dwcontrol.SetColumn ( integer column)
```

Table 9.351:

Argument	Description
dwcontrol	A reference to a DataWindow control, DataStore, or child DataWindow.
column	The column you want to make current. Column can be a column number or a column name.

Return value

Returns 1 if it succeeds and -1 if an error occurs. If column is less than 1 or greater than the number of columns, SetColumn fails.

If any argument's value is null, in PowerBuilder and JavaScript the method returns null.

Usage

SetColumn moves the cursor to the current column but does not scroll the DataWindow control.

Only a visible editable column can be current. (A column is editable when its tab order value is greater than 0 and its Protect property is not set to 1.) Do not try to set a noneditable column as the current column. If you try to set an invisible editable column as the current column, then the focus will automatically switch to the next visible editable column.

PowerBuilder environment

For use with PowerBuilder ListView controls, see Section 2.4.715, "SetColumn" in *PowerScript Reference*.

Events

SetColumn can trigger these events:

- ItemChanged
- ItemError
- ItemFocusChanged

Avoiding infinite loops

Never call `SetColumn` in the `ItemChanged`, `ItemError`, or `ItemFocusChanged` event. Because `SetColumn` can trigger these events, such a recursive call can cause a stack fault.

Examples

This statement makes the 15th column in `dw_Employee` the current column:

```
dw_Employee.SetColumn(15)
```

See also

[GetColumn](#)

[GetRow](#)

[SetRow](#)

9.162 SetColumnLink (obsolete)

Description

Specifies information used for constructing hyperlinks for data in a column in generated HTML.

Obsolete method

`SetColumnLink` is obsolete and should not be used, because the Web DataWindow technology is obsolete.

Applies to

Table 9.352:

DataWindow type	Method applies to
Web	Server component

Syntax

Web DataWindow server component

```
string dwcomponent.SetColumnLink ( string columnname, string link, string linkargs,
string linktarget )
```

Table 9.353:

Argument	Description
<code>dwcomponent</code>	A reference to a Web DataWindow server component.
<code>columnname</code>	The name of a column in the DataWindow object associated with the server component whose values you want formatted as hyperlinks in the generated HTML.
<code>link</code>	A URL that is the target of a link (HTML A element) generated for each data item in the column.

Argument	Description
	<p>The URL can include parameters. Additional parameters from linkargs may be added when the HTML is generated.</p> <p>Sets the value of the HTML.Link property.</p>
linkargs	<p>A string in the form:</p> <pre>argname='exp' { argname = 'exp' } ...</pre> <p>Argname is a page parameter to be passed to the server.</p> <p>Exp is a DataWindow expression that is evaluated, and whose value is converted using URL encoding and included in the string.</p> <p>The evaluated linkargs string is appended to URL in link when HTML is generated to produce a hyperlink for each data item.</p> <p>For information on constants and quotation marks in linkargs expressions, see SetSelfLink.</p> <p>Sets the value of the HTML.LinkArgs property.</p>
linktarget	<p>The name of a target frame or window for the hyperlink specified in the Link property. The target is included in the HTML element using the HTML TARGET attribute.</p> <p>You can use linktarget to implement a master/detail page design by directing the detail page for a data item to a different window or frame.</p> <p>If linktarget is null or an empty string (""), then no TARGET attribute is generated.</p> <p>Sets the value of the HTML.LinkTarget property.</p>

Return value

Returns an empty string if successful and the syntax error message from the Modify method if it fails.

Usage

This method calls the Modify method of the server component's DataStore to set the property.

Examples

This JavaScript example for a server-side script sets up hyperlinks for data in the empid column. The data links to a detailed employee report in an HTML template called empdetail.stm.

The employee id is passed as a page parameter so the empdetail scripts can use it as a retrieval argument. The column name is specified as the expression. Empid is a numeric column so its value has to be converted to a string for the page parameter value. When the server component generates the HTML, it evaluates empid for each row and includes the data value as the link argument:

```
dwMine.SetColumnLink ("empid", "empdetail.stm", "pagearg_empid='String(empid)',  
"");
```

See also

[Generate](#)[Modify](#)[SetAction](#)[HTML.property](#)

9.163 SetCultureFormat

Description

The culture format set by this function does not affect the DataWindow display. It is used only for rendering HTML, XHTML, and XML for the DataWindow control.

Applies to

Syntax

PowerBuilder

```
integer dwcontrol.SetCultureFormat( string cultureStr )
```

Table 9.354:

Argument	Description
dwcontrol	A reference to a DataWindow control for which you want to set the culture format.
cultureStr	<p>A string that defines the formats for displaying information. For example:</p> <pre>sDecimal=, sTime=: sThousand= sShortDate=dd/MM/yyyy iDate=1 sDate=/ sLongDate=dddd d MMMM yyyy sCurrency=' iCurrDigits=2 iNegCurr=8 iCurrency=3 iMeasure=0 iTime=1</pre> <p>sDecimal is the symbol used to indicate the decimal place.</p> <p>sTime is the symbol used to separate the hours and minutes in time displays.</p> <p>sThousand is</p> <p>Each definition is delimited by a tab.</p>

Return value

Returns 1 if successful and -1 if it fails. Does not work for .NET targets, and will always return -1 if used in a target of that type.

9.164 SetDetailHeight

Description

Sets the height of each row in the specified range to the specified value.

Applies to

Table 9.355:

DataWindow type	Method applies to
PowerBuilder	DataWindow control, DataWindowChild object, DataStore object

Syntax

PowerBuilder

```
integer dwcontrol.SetDetailHeight ( long startrow, long endrow , long height )
```

Table 9.356:

Argument	Description
dwcontrol	A reference to a DataWindow control or DataStore for which you want to set the height of one or more rows in the detail area
startrow	The first row in the range of rows for which you want to set the height
endrow	The last row in the range of rows for which you want to set the height
height	The height of the detail area for the specified rows in the units specified for the DataWindow object

Return value

Returns 1 if it succeeds and -1 if an error occurs.

If any argument's value is null, in PowerBuilder and JavaScript the method returns null.

Usage

Call SetDetailHeight in a script to vary the amount of space assigned to rows in a DataWindow control or DataStore. You cannot specifically set the height for different rows when you define a DataWindow object in the DataWindow painter, although you can turn on the Autosize Height property for the detail band so that the height of each row is determined by the data.

You can set the detail height of one or more rows to zero, which hides them from view.

Examples

This statement sets the height of rows 2 and 3 to 500:

```
dw_1.SetDetailHeight(2, 3, 500)
```

This script retrieves rows for a DropDownDataWindow associated with the Company_Name column. It then hides rows 2 and 3 of the DropDownDataWindow by setting their detail height to 0:

```
DataWindowChild dwc;
integer rtncode;

rtncode = dw_1.GetChild("company_name", dwc)
IF rtncode < 0 THEN HALT

dwc.SetTransObject(SQLCA)
dwc.Retrieve( )
dwc.SetDetailHeight(2, 3, 0)
```

9.165 SetDWObject (obsolete)

Description

Specifies the DataWindow library and object that the Web DataWindow server component will use for generating HTML.

Obsolete method

SetDWObject is obsolete and should not be used, because the Web DataWindow technology is obsolete.

Applies to**Table 9.357:**

DataWindow type	Method applies to
Web	Server component

Syntax**Web DataWindow server component**

```
int dwcomponent.SetDWObject ( string sourcefile, string dwojectname )
int dwcomponent.SetDWObjectEx ( string dwojectname )
```

Table 9.358:

Argument	Description
dwcomponent	A reference to a Web DataWindow server component.
sourcefile	The name of a PowerBuilder library (PBL) or dynamic library (PBD) containing DataWindow object definitions or A source definition file (SRD) or A Powersoft report (PSR) containing a DataWindow object definition and data. The file must be located in the file system of the machine hosting the server component.
dwojectname	When sourcefile is a PBL or PBD, the name of a DataWindow object in the library. When sourcefile is a PSR or SRD, dwojectname should be an empty string ("").

Return value

Returns 1 if it succeeds and -1 if an error occurs.

Examples

This example identifies the library and DataWindow object for the server component called dwGen:

```
int retVal = dwGen.SetDWObject("htgenex.pbl", "d_tabular_dept")
```

See also

[Generate](#)

[SetAction](#)

9.166 SetFilter

Description

Specifies filter criteria for a DataWindow control or DataStore.

Applies to

Table 9.359:

DataWindow type	Method applies to
PowerBuilder	DataWindow control, DataWindowChild object, DataStore object

Syntax

PowerBuilder

```
integer dwcontrol.SetFilter ( string format )
```

Table 9.360:

Argument	Description
dwcontrol	The name of the DataWindow control, DataStore, or child DataWindow in which you want to define the filter.
format	A string whose value is a boolean expression that you want to use as the filter criteria. The expression includes column names or numbers. A column number must be preceded by a pound sign (#). If format is null, PowerBuilder prompts you to enter a filter.

Return value

Returns 1 if it succeeds and -1 if an error occurs. If no DataWindow object has been assigned to the DataWindow or DataStore, SetFilter returns -1. The return value is usually not used.

Usage

A DataWindow object can have filter criteria specified as part of its definition. After data is retrieved, rows that do not meet the criteria are immediately transferred from the primary buffer to the filter buffer.

The SetFilter method replaces the existing filter criteria -- if any are defined for the DataWindow object -- with a new set of criteria. Call the Filter method to apply the filter criteria and transfer rows that do not meet the filter criteria to the filter buffer.

The filter expression consists of columns, relational operators, and values against which column values are compared. Boolean expressions can be connected with logical operators AND and OR. You can also use NOT, the negation operator. Use parentheses to control the order of evaluation.

Sample expressions are:

```
item_id > 5
NOT item_id = 5
(NOT item_id = 5) AND customer > "Mabson"
item_id > 5 AND customer = "Smith"
#1 > 5 AND #2 = "Smith"
```

The filter expression is a string and does not contain variables. However, you can build the string in your script using the values of script variables. Within the filter string, string constants must be enclosed in quotation marks (see the examples).

Dictionary or ASCII order

By default, PowerBuilder performs comparisons in dictionary order. For example, the following expression shows all the rows in which column 2 begins with A, a, B or b:

```
#2 >= 'a' and #2 < 'c'
```

To perform comparisons in ASCII order, append "\s" to the format string. For example, the following expression shows only rows in which column 2 begins with a or b, because the ASCII values of uppercase letters are lower than the ASCII values of lowercase letters:

```
#2 >= 'a' and #2 < 'c' \s
```

Number format

The formatting that you enter for numbers and currency in filter expressions display the same way in any country. Changing the regional settings of the operating system does not modify the formatting displayed for numbers and currency at runtime.

Escape keyword

If you need to use the % or _ characters as part of the string, you can use the escape keyword to indicate that the character is part of the string. For example, the _ character in the following filter string is part of the string to be searched for, but is treated as a wildcard:

```
comment LIKE ~'%o_al5progress%~'
```

The escape keyword designates any character as an escape character (do not use a character that is part of the string you want to match). In the following example, the asterisk (*) character is inserted before the _ character and designated as an escape character, so that the _ character is treated as part of the string to be matched:

```
comment like ~'%o*_al5progress%~' escape ~'*~'
```

User-specified filters

To let users specify their own filter expression for a DataWindow control, you can pass a null string to the SetFilter method. PowerBuilder displays its Specify Filter dialog box with the filter expression blank. Then you can call Filter to apply the user's filter expression to the DataWindow. You cannot pass a null string to the SetFilter method for a DataStore object.

Removing a filter

To remove a filter, call SetFilter with the empty string ("") for format and then call Filter. The rows in the filter buffer will be restored to the primary buffer and positioned after the rows that already exist in the primary buffer.

Examples

This statement defines the filter expression for dw_Employee as the value of format1:

```
dw_Employee.SetFilter(format1)
```

The following statements define a filter expression and set it as the filter for dw_Employee. With this filter, only those rows in which the cust_qty column exceeds 100 and the cust_code column exceeds 30 are displayed. The final statement calls Filter to apply the filter:

```
string DWfilter2
DWfilter2 = "cust_qty > 100 and cust_code >30"
dw_Employee.SetFilter(DWfilter2)
dw_Employee.Filter( )
```

The following statements define a filter so that emp_state of dw_Employee displays only if it is equal to the value of var1 (in this case ME for Maine). The filter expression passed to SetFilter is emp_state = ME:

```
string Var1
Var1 = "ME"
dw_Employee.SetFilter("emp_state = '"+ var1 +"'")
```

The following statements define a filter so that column 1 must equal the value in min_qty and column 2 must equal the value in max_qty to pass the filter. The resulting filter expression is:

```
#1=100 and #2=1000
```

The sample code is:

```
integer max_qty, min_qty
min_qty = 100
max_qty = 1000
dw_inv.SetFilter("#1="+ String( min_qty) &
    + " and #2=" + String(max_qty))
```

The following example sets the filter expression to null, which causes PowerBuilder to display the Specify Filter dialog box. Then it calls Filter, which applies the filter expression the user specified:

```
string null_str
SetNull(null_str)
dw_main.SetFilter(null_str)
dw_main.Filter()
```

See also

[Filter](#)

9.167 SetFormat

Description

Specifies a display format for a column in a DataWindow control or DataStore.

Applies to

Table 9.361:

DataWindow type	Method applies to
PowerBuilder	DataWindow control, DataWindowChild object, DataStore object

Syntax

PowerBuilder

```
integer dwcontrol.SetFormat ( string column, string format )
integer dwcontrol.SetFormat ( integer column, string format )
```


Table 9.362:

Argument	Description
dwcontrol	A reference to a DataWindow control, DataStore, or child DataWindow.
column	The column for which you are specifying the display format. Column can be a column number or a column name.
format	A string whose value is the display format for the DataWindow column.

Return value

Returns 1 if it succeeds and -1 if an error occurs. The return value is usually not used.

If any argument's value is null, in PowerBuilder and JavaScript the method returns null.

Usage

For information on valid display formats for different datatypes, see Section 6.5.4, “Defining display formats” in *Users Guide*.

If you are specifying the display format for a number, the format must use U.S. notation. For example, comma (,) represents the thousands delimiter and period (.) represents the decimal place. At runtime, the locally correct symbols will be displayed.

An EditMask edit style supersedes any display format applied to the column. When the column has an EditMask edit style, calling SetFormat has no effect.

Examples

These statements define the display format for column 15 of dw_employee to the contents of format1:

```
string format1
format1 = "$#,##0.00"
dw_employee.SetFormat(15, format1)
```

See also

[GetFormat](#)

9.168 SetFullState**Description**

Applies the contents of a DataWindow blob retrieved by GetFullState to a DataWindow or DataStore.

This method is used primarily in distributed applications.

Applies to**Table 9.363:**

DataWindow type	Method applies to
PowerBuilder	DataWindow control, DataStore object

Syntax**PowerBuilder**

```
long dwcontrol.SetFullState ( blob dwasblob )
```

Table 9.364:

Argument	Description
dwcontrol	A reference to a DataWindow control or DataStore
dwasblob	A blob that contains the state information you want to apply to the DataWindow control or DataStore

Return value

Returns -1 if an error occurs and one of the following values if it succeeds:

- 1 -- DataWindow objects match; old data and state overwritten.
- 2 -- DataWindow objects do not match; old object, data, and state replaced.
- 3 -- No DataWindow object associated with DataWindow control or DataStore; the DataWindow object associated with the blob is used. The value of the DataObject property remains an empty string.

Null

If any argument's value is null in PowerBuilder or JavaScript, the method returns null.

If any argument's value is null, in PowerBuilder and JavaScript the method returns null.

Usage

GetFullState retrieves the entire state of a DataWindow or DataStore into a blob, including the DataWindow object specification, the data buffers, and the status flags. When you use SetFullState to apply the blob created by GetFullState to another DataWindow, the target DataWindow has enough information to recreate the source DataWindow.

Because the blob created by GetFullState contains the DataWindow object specification, a subsequent call to SetFullState will overwrite the DataWindow object for the target DataWindow control or DataStore. If the target of SetFullState does not have a DataWindow object associated with it, the DataWindow object associated with the blob is used. The value of the DataObject property remains null.

When you use GetFullState and SetFullState to synchronize a DataWindow control on a client with a DataStore on a server, you need to make sure that the DataWindow object for the DataStore contains the presentation style you want to display on the client.

Limitation on calling SetFullState from the current DataWindow

SetFullState destroys the referenced DataWindow and creates a new one using the contents of the DataWindow blob that you specify as an argument to SetFullState. If you call SetFullState from an event in the current DataWindow, the DataWindow is destroyed before the event code can be completed and you might cause the application to crash. Therefore you should never use the "this" pronoun when calling SetFullState.

Examples

These statements in a distributed client application call a remote object function that retrieves database information into a DataStore and puts the contents of the DataStore into a blob by using `GetFullState`. After the server passes the blob back to the client, the client uses `SetFullState` to apply the blob to a DataWindow control:

```
// Global variable:connection myconnect
// Instance variable: uo_employee iuo_employee

blob lblb_data
long ll_rv

myconnect.CreateInstance(iuo_employee)
iuo_employee.RetrieveData(lblb_data)

ll_rv = dw_empdata.SetFullState(lblb_data)

IF ll_rv = -1 THEN
    MessageBox("Error", "SetFullState failed!")
END IF
```

See also

[GetChanges](#)

[GetFullState](#)

[GetStateStatus](#)

[SetChanges](#)

9.169 SetHTMLAction (obsolete)

Description

Accepts action and context information about user interaction with the Web DataWindow client control in a Web browser so that newly generated HTML can reflect any requested changes.

Obsolete method

`SetHTMLAction` is obsolete and should not be used, because the Web DataWindow technology is obsolete.

Applies to

Table 9.365:

DataWindow type	Method applies to
PowerBuilder	DataWindow control, DataStore object

Syntax

PowerBuilder

```
integer dwcontrol.SetHTMLAction ( string action, string context )
```

Table 9.366:

Argument	Description
dwcontrol	A reference to a DataWindow control or DataStore.

Argument	Description
action	A string describing an action associated with a button click or method call in a Web DataWindow client control on a Web page. The value is stored in a page parameter called HTMLGenObjectName_action. action must be a valid action and cannot be an empty string or the value none.
context	A string describing the context of action in the Web DataWindow client control. The string is generated by a Web DataWindow script and the value is stored in a page parameter called HTMLGenObjectName_context. The format is not documented and subject to change.

Return value

Returns 1 if it succeeds and one of these negative values if an error occurs:

- 1 -- Reloading the current context failed.
- 2 -- The action was attempted but it failed.
- 3 -- The action could not be performed (for example, the action was InsertRow but the DataWindow has no editable fields for entering new data).
- 4 -- The action was aborted by the [HTMLContextApplied](#) event.
- 5 -- The action is invalid.

Usage

SetHTMLAction triggers the [HTMLContextApplied](#) event after restraining the context but before performing the action. You can use the event to perform data validation using methods of a server component.

If you write your own server component in PowerBuilder instead of using the generic Web DataWindow server component, you use this method to update the generated HTML to reflect user actions.

See also

[SetAction](#)

9.170 SetHTMLObjectName (obsolete)

Description

Specifies a name for the Web DataWindow client control.

Obsolete method

SetHTMLObjectName is obsolete and should not be used, because the Web DataWindow technology is obsolete.

Applies to

Table 9.367:

DataWindow type	Method applies to
Web	Server component

Syntax

Web DataWindow server component

```
string dwcomponent.SetHTMLObjectName ( string objectname )
```

Table 9.368:

Argument	Description
dwcomponent	A reference to a Web DataWindow server component.
objectname	A string specifying a name used in generated code for the Web DataWindow client control, page parameters, and client side events. Sets the value of the HTMLGen.ObjectName property for the DataWindow object associated with the server component.

Return value

Returns an empty string if successful and the syntax error message from the Modify method if it fails.

Usage

You must specify a unique object name when there will be more than one Web DataWindow on a Web page so names will not conflict.

This method calls the Modify method of the server component's DataStore to set the property.

Examples

This example specifies a name to be used in generated HTML for the server component called webDW:

```
webDW.SetHTMLObjectName ( "dwMine" );
```

See also

[Generate](#)

[Modify](#)

[OneTrip](#)

[HTMLGen.property](#)

9.171 SetItem

Description

Sets the value of a row and column in a DataWindow control or DataStore to the specified value.

Applies to

Table 9.369:

DataWindow type	Method applies to
PowerBuilder	DataWindow control, DataWindowChild object, DataStore object

Syntax

PowerBuilder

```
integer dwcontrol.SetItem ( long row, integer column, any value )
integer dwcontrol.SetItem ( long row, string column, any value )
```

Table 9.370:

Argument	Description
dwcontrol	The name of the DataWindow control, DataStore, or child DataWindow in which you want to set a specific row and column to a value.
row	The row location of the data.
column	The column location of the data. Column can be a column number or a column name. The column number is the number of the column as it is listed in the Column Specification view of the DataWindow painter -- not necessarily the number of the column in the Design view.
value	The value to which you want to set the data at the row and column location. The datatype of the value must be the same datatype as the column.

Return value

Returns 1 if it succeeds and -1 if an error occurs. If any argument's value is null, in PowerBuilder and JavaScript the method returns null.

Usage

SetItem sets a value in a DataWindow buffer. It does not affect the value currently in the edit control over the current row and column, which is the data the user has changed or might change. The value in the edit control does not become the value of the DataWindow item until it is validated and accepted (see [AcceptText](#)). In a script, you can change the value in the edit control with the SetText method.

You can use SetItem when you want to set the value of an item in a DataWindow control or DataStore that has script as the source.

Displaying data in character columns

When you use SetItem (or dot notation) to assign a value to a character column that is defined to have 512 characters or less, the actual size of the column in the DataWindow definition is ignored. If the assigned value has more than 512 characters, the value displayed in the DataWindow is truncated at 512 characters. If the DataWindow column is defined to have more than 512 characters, its size is respected. For example, if the DataWindow column is defined to have 1, 10, or 100 characters, up to 512 characters of the assigned value are displayed. If the DataWindow column is defined to have 1000 characters, up to 1000 characters are displayed.

Group and TreeView DataWindows

In Group and TreeView DataWindow objects, you must call GroupCalc after you call SetItem to display data correctly.

Using SetItem in the ItemChanged and ItemError events

In the ItemChanged and ItemError events, you can call SetItem to set the value of an item when the data the user entered is not valid. If you want the user to have an opportunity to enter a different value, after calling SetItem you can call SetText to put that same value in the

edit control so that the user sees the value too. In the script, use a return code that rejects the value in the edit control, avoiding further processing, but does not allow the focus to change. To retain focus and display an error message, return 1 for ItemChanged or 0 for ItemError.

When you use a return code that rejects the data the user entered but allows the focus to change (a return code of 2 in the script for the ItemChanged event or 3 in the ItemError event), you do not need to call SetText because the value set with SetItem displays.

If PowerBuilder cannot properly convert the string the user entered, you must include statements in the script for the ItemChanged or ItemError event to convert the data and use SetItem with the converted data. For example, if the user enters a number with commas and a dollar sign (for example, \$1,000), PowerBuilder is unable to convert the string to a number and you must convert it in the script.

PowerBuilder environment

For use with PowerBuilder ListView and TreeView controls, see Section 2.4.733, "SetItem" in *PowerScript Reference*.

Examples

This statement sets the value of row 3 of the column named hire_date of the DataWindow control dw_order to 2003-06-07:

```
dw_order.SetItem(3, "hire_date", 2003-06-07)
```

When a user starts to edit a numeric column and leaves it without entering any data, PowerBuilder tries to assign an empty string to the column. This fails the datatype validation test. In this example, code in the ItemError event sets the column's value to null and allows the focus to change.

This example assumes that the datatype of column 2 is numeric. If it is date, time, or datetime, replace the first line (integer null_num) with a declaration of the appropriate datatype:

```
integer null_num //to contain null value

SetNull(null_num)

// Special processing for column 2
IF dwo.ID = 2 THEN
    // If user entered nothing (""), set to null
    IF data = "" THEN
        This.SetItem(row, dwo.ID, null_num)
        RETURN 2
    END IF
END IF
```

The following example is a script for a DataWindow's ItemError event. If the user specifies characters other than digits for a numeric column, the data will fail the datatype validation test. You can include code to strip out characters such as commas and dollar signs and use SetItem to assign the now valid numeric value to the column. The return code of 3 causes the data in the edit control to be rejected because the script has provided a valid value:

```
string snum, c
integer cnt

// Extract the digits from the user's data
```

```

FOR cnt = 1 to Len(data)
    c = Mid(data, cnt, 1) // Get character
    IF IsNumber(c) THEN snum = snum + c
NEXT
This.SetItem(row, dwo.ID, Long(snum))
RETURN 3

```

See also[GetItemDate](#)[GetItemDateTime](#)[GetItemNumber](#)[GetItemString](#)[GetItemTime](#)[GetText](#)[SetText](#)**9.172 SetItemDate (obsolete)****Description**

Sets the value of a row and column in a DataWindow control to the specified value.

Obsolete method

SetItemDate is obsolete and should not be used, because the Web DataWindow technology is obsolete.

Applies to**Table 9.371:**

DataWindow type	Method applies to
Web	Server component (see SetItem for equivalent client control method)

Syntax**Web DataWindow server component**

```

short dwcontrol.SetItemDate ( long row, string column, string value )
short dwcontrol.SetItemDateByColNum ( long row, short column, string value )

```

Table 9.372:

Argument	Description
dwcontrol	The name of the Web DataWindow control in which you want to set a specific row and column to a value.
row	The row location of the data.
column	The column location of the data. Column can be a column number or a column name.
value	The value to which you want to set the data at the row and column location.

Usage

Although JavaScript does not distinguish between the Date, DateTime, and Time datatypes, the DataStore will give an error if the wrong type is passed. You can use the SetItemDateTime and SetItemTime methods to set values in columns with the DateTime and Time datatypes.

Because the Web DataWindow server component does not support overloading, you must use the SetItemDateByColNum variant instead of the standard SetItemDate method when you want to refer to the column by number.

See also

[SetItem](#)

[SetItemDateTime](#)

[SetItemTime](#)

9.173 SetItemDateTime (obsolete)

Description

Sets the value of a row and column in a DataWindow control to the specified value.

Obsolete method

SetItemDateTime is obsolete and should not be used, because the Web DataWindow technology is obsolete.

Applies to

Table 9.373:

DataWindow type	Method applies to
Web	Server component (see SetItem for equivalent client control method)

Syntax

Web DataWindow server component

```
short dwcontrol.SetItemDateTime ( long row, string column,
    string value )
short dwcontrol.SetItemDateByColNum ( long row, short column,
    string value )
```

Table 9.374:

Argument	Description
dwcontrol	The name of the Web DataWindow control in which you want to set a specific row and column to a value.
row	The row location of the data.
column	The column location of the data. Column can be a column number or a column name.
value	The value to which you want to set the data at the row and column location.

Usage

Although JavaScript does not distinguish between the Date, DateTime, and Time datatypes, the DataStore will give an error if the wrong type is passed. You can use the SetItemDate and SetItemTime methods to set values in columns with the Date and Time datatypes.

Because the Web DataWindow server component does not support overloading, you must use the SetItemDateTimeByColNum variant instead of the standard SetItemDateTime method when you want to refer to the column by number.

See also

[SetItem](#)

[SetItemDate](#)

[SetItemTime](#)

9.174 SetItemNumber (obsolete)

Description

Sets the value of a row and column in a DataWindow control to the specified value.

Obsolete method

SetItemNumber is obsolete and should not be used, because the Web DataWindow technology is obsolete.

Applies to

Table 9.375:

DataWindow type	Method applies to
Web	Server component (see SetItem for equivalent client control method)

Syntax

Web DataWindow server component

```
short dwcontrol.SetItemNumber ( long row, string column, double value )
short dwcontrol.SetItemNumberByColNum ( long row, short column, double value )
```

Table 9.376:

Argument	Description
dwcontrol	The name of the Web DataWindow control in which you want to set a specific row and column to a value.
row	The row location of the data.
column	The column location of the data. Column can be a column number or a column name.
value	The value to which you want to set the data at the row and column location.

Usage

Because the Web DataWindow server component does not support overloading, you must use the `SetItemNumberByColNum` variant instead of the standard `SetItemNumber` method when you want to refer to the column by number.

See also

[SetItem](#)

9.175 SetItemStatus

Description

Changes the modification status of a row or a column within a row. The modification status determines the type of SQL statement the `Update` method will generate for the row.

Applies to

Table 9.377:

DataWindow type	Method applies to
PowerBuilder	DataWindow control, DataWindowChild object, DataStore object

Syntax

PowerBuilder

```
integer dwcontrol.SetItemStatus ( long row, integer column,
    dwbuffer dwbuffer, dwitemstatus status )
integer dwcontrol.SetItemStatus ( long row, string column,
    dwbuffer dwbuffer, dwitemstatus status )
```

Table 9.378:

Argument	Description
dwcontrol	A reference to a DataWindow control, DataStore, or child DataWindow.
row	The row location in which you want to set the status.
column	The column location in which you want to set the status. Column can be a column number or a column name. To set the status for the row, enter 0 for column.
dwbuffer	A value identifying the DataWindow buffer that contains the row. For a list of valid values, see DWBuffer .
status	A value of the <code>dwItemStatus</code> enumerated datatype specifying the new status. For a list of valid values, see DWItemStatus .

Return value

Returns 1 if it succeeds and -1 if an error occurs. If any argument's value is null, in PowerBuilder and JavaScript the method returns null.

Usage

How statuses are set

There are four DataWindow item statuses, two of which apply only to rows:

Table 9.379: Possible statuses for DataWindow items

Status	Applies to
New!	Rows
NewModified!	Rows
NotModified!	Rows and columns
DataModified!	Rows and columns

When data is retrieved

When data is retrieved into a DataWindow, all rows and columns initially have a status of NotModified!.

After data has changed in a column in a particular row, either because the user changed the data or the data was changed programmatically, such as through the SetItem method, the column status for that column changes to DataModified!. Once the status for any column in a retrieved row changes to DataModified!, the row status also changes to DataModified!.

When rows are inserted

When a row is inserted into a DataWindow, it initially has a row status of New!, and all columns in that row initially have a column status of NotModified!. After data has changed in a column in the row, either because the user changed the data or the data was changed programmatically, such as through the SetItem method, the column status changes to DataModified!. Once the status for any column in the inserted row changes to DataModified!, the row status changes to NewModified!.

When a DataWindow column has a default value, the column's status does not change to DataModified! until the user makes at least one actual change to a column in that row.

When Update is called

A row's status flag determines what SQL command the Update method uses to update the database. INSERT or UPDATE is called, depending upon the following row statuses:

Table 9.380: Effect of row status on SQL command called by Update method

Row status	SQL statement generated
NewModified!	INSERT
DataModified!	UPDATE

A column is included in an UPDATE statement only if the following two conditions are met:

- The column is on the updatable column list maintained by the DataWindow object
For more information about setting the update characteristics of the DataWindow object, see Section 6.4, “Controlling Updates in DataWindow objects” in *Users Guide*.
- The column has a column status of DataModified!
The DataWindow control includes all columns in INSERT statements it generates. If a column has no value, the DataWindow attempts to insert a null. This causes a database error if the database does not allow nulls in that column.

Changing statuses using SetItemStatus

Use `SetItemStatus` when you want to change the way a row will be updated. Typically, you do this to prevent the default behavior from taking place. For example, you might copy a row from one `DataWindow` to another. After the user modifies the row, you want to issue an `UPDATE` statement instead of an `INSERT` statement.

Changing column status

You use `SetItemStatus` to change the column status from `DataModified!` to `NotModified!`, or the converse.

Change column status when you change row status

Changing the row status changes the status of all columns in that row to `NotModified!`, so if the `Update` method is called, no SQL update is produced. You must change the status of columns to be updated after you change the row status.

Changing row status

Changing row status is a little more complicated. The following table illustrates the effect of changing from one row status to another:

Table 9.381: Effect of changing from one row status to another

Original status	Specified status			
	New!	New Modified!	Data Modified!	Not Modified!
New!	-	Yes	Yes	No
NewModified!	No	-	Yes	New!
DataModified!	NewModified!	Yes	-	Yes
NotModified!	Yes	Yes	Yes	-

In the table, Yes means the change is valid. For example, issuing `SetItemStatus` on a row that has the status `NotModified!` to change the status to `New!` does change the status to `New!`. No means that the change is not valid and the status is not changed.

Issuing `SetItemStatus` to change a row status from `NewModified!` to `NotModified!` actually changes the status to `New!`. Issuing `SetItemStatus` to change a row status from `DataModified!` to `New!` actually changes the status to `NewModified!`.

Changing a row's status to `NotModified!` or `New!` causes all columns in that row to be assigned a column status of `NotModified!`. Change the column's status to `DataModified!` to ensure that an update results in a SQL `UPDATE`.

Changing the status of a retrieved row from `NotModified!` to `New!`

If you change the status of a retrieved row to `New!` and then make a change to data in a column, all the columns in that row change status to `DataModified!` All the columns change status because the `Update` method generates a SQL `INSERT` command that includes the changed data as well as the data that already existed in the other columns.

Changing status indirectly

When you cannot change to the desired status directly, you can usually do it indirectly. For example, change `New!` to `DataModified!` to `NotModified!`.

Resetting status for the whole DataWindow object

To reset the update status of the entire DataWindow object, use the `ResetUpdate` method. This sets all status flags to `NotModified!` except for `New!` status flags, which remain unchanged.

Examples

This statement sets the status of row 5 in the `Salary` column of the primary buffer of `dw_history` to `NotModified!`:

```
dw_history.SetItemStatus(5, "Salary", &
    Primary!, NotModified!)
```

This statement sets the status of row 5 in the `emp_status` column of the primary buffer of `dw_new_hire` to `DataModified!`:

```
dw_new_hire.SetItemStatus(5, "emp_status", &
    Primary!, DataModified!)
```

This code sets the status of row 5 in the primary buffer of `dw_rpt` to `DataModified!` if its status is currently `NewModified!`:

```
dwItemStatus l_status
l_status = dw_rpt.GetItemStatus(5, 0, Primary!)
IF l_status = NewModified! THEN
    dw_rpt.SetItemStatus(5, 0,
        Primary!, DataModified!)
END IF
```

See also

[GetItemStatus](#)

[ResetUpdate](#)

9.176 SetItemString (obsolete)

Description

Sets the value of a row and column in a DataWindow control to the specified value.

Obsolete method

`SetItemString` is obsolete and should not be used, because the Web DataWindow technology is obsolete.

Applies to

Table 9.382:

DataWindow type	Method applies to
Web	Server component (see SetItem for equivalent client control method)

Syntax

Web DataWindow server component

```
short dwcontrol.SetItemString ( long row, string column, string value )
```

```
short dwcontrol.SetItemStringByColNum ( long row, short column, string value )
```

Table 9.383:

Argument	Description
dwcontrol	The name of the Web DataWindow control in which you want to set a specific row and column to a value.
row	The row location of the data.
column	The column location of the data. Column can be a column number or a column name.
value	The value to which you want to set the data at the row and column location.

Usage

Because the Web DataWindow server component does not support overloading, you must use the SetItemStringByColNum variant instead of the standard SetItemString method when you want to refer to the column by number.

See also

[SetItem](#)

9.177 SetItemTime (obsolete)**Description**

Sets the value of a row and column in a DataWindow control to the specified value.

Obsolete method

SetItemTime is obsolete and should not be used, because the Web DataWindow technology is obsolete.

Applies to**Table 9.384:**

DataWindow type	Method applies to
Web	Server component (see SetItem for equivalent client control method)

Syntax**Web DataWindow server component**

```
short dwcontrol.SetItemTime ( long row, string column, string value )
short dwcontrol.SetItemTimeByColNum ( long row, short column, string value )
```

Table 9.385:

Argument	Description
dwcontrol	The name of the Web DataWindow control in which you want to set a specific row and column to a value.
row	The row location of the data.

Argument	Description
column	The column location of the data. Column can be a column number or a column name.
value	The value to which you want to set the data at the row and column location.

Usage

Although JavaScript does not distinguish between the Date, DateTime, and Time datatypes, the DataStore will give an error if the wrong type is passed. You can use the SetItemDate and SetItemDateTime methods to set values in columns with the Date and DateTime datatypes. Because the Web DataWindow server component does not support overloading, you must use the SetItemTimeByColNum variant instead of the standard SetItemTime method when you want to refer to the column by number.

See also

[SetItem](#)

[SetItemDate](#)

[SetItemDateTime](#)

9.178 SetPageSize (obsolete)

Description

Specifies the number of rows to include in a generated Web page for the Web DataWindow.

Obsolete method

SetPageSize is obsolete and should not be used, because the Web DataWindow technology is obsolete.

Applies to

Table 9.386:

DataWindow type	Method applies to
Web	Server component

Syntax

Web DataWindow server component

```
string dwcomponent.SetPageSize ( long pagesize )
```

Table 9.387:

Argument	Description
dwcomponent	A reference to a Web DataWindow server component.
pagesize	The number of rows of data to include in a generated Web page. If the Web page does not include all available rows, you can include Button controls in the DataWindow object for navigating other subsets of rows. To include all available rows in the page, specify 0 for PageSize.

Argument	Description
	Sets the value of the HTMLGen.PageSize property for the DataWindow object associated with the server component.

Return value

Returns an empty string if successful and the syntax error message from the Modify method if it fails.

Usage

This method calls the Modify method of the server component's DataStore to set the property. It is particularly useful for the XML Web DataWindow where you typically want to limit the number of rows per page.

Examples

This example specifies that the HTML generated by the webDW component will have 20 rows of data:

```
webDW.SetPageSize( 20 );
```

See also

[Generate](#)

[Modify](#)

[HTMLGen.property](#)

9.179 SetPosition**Description**

Moves a control within the DataWindow to another band or changes the front-to-back order of controls within a band.

Applies to**Table 9.388:**

DataWindow type	Method applies to
PowerBuilder	DataWindow control, DataWindowChild object, DataStore object

Syntax**PowerBuilder**

```
integer dwcontrol.SetPosition ( string controlname, string band, boolean  
bringtofront )
```

Table 9.389:

Argument	Description
dwcontrol	A reference to a DataWindow control or DataStore.
controlname	The name of the control within the DataWindow that you want to move. You assign names to the controls in the DataWindow painter.

Argument	Description
band	A string whose value is the name of the band or layer in which you want to position controlname. Layer names are background and foreground. Band names are detail, header, footer, summary, header.#, and trailer.#, where # is the group level number. Enter the empty string ("") if you do not want to change the band.
bringtofront	A boolean indicating whether you want to bring controlname to the front within the band: <ul style="list-style-type: none"> • True -- Bring it to the front. • False -- Do not bring it to the front.

Return value

Returns 1 when it succeeds and -1 if an error occurs. If any argument's value is null, in PowerBuilder and JavaScript the method returns null.

Usage**PowerBuilder environment**

For setting the position of controls in the front-to-back order of a PowerBuilder window, see Section 2.4.753, "SetPosition" in *PowerScript Reference*.

Examples

This statement moves oval_red in dw_rpt to the header and brings it to the front:

```
dw_rpt.SetPosition("oval_red", "header", true)
```

This statement does not change the position of oval_red , but does bring it to the front:

```
dw_rpt.SetPosition("oval_red", "", true)
```

This statement moves oval_red to the footer, but does not bring it to the front:

```
dw_rpt.SetPosition("oval_red", "footer", false)
```

9.180 SetRedraw**Description**

Controls the automatic redrawing of an object or control after each change to its properties.

Applies to**Table 9.390:**

DataWindow type	Method applies to
PowerBuilder	DataWindow control

Syntax**PowerBuilder**

```
integer objectname.SetRedraw ( boolean redraw )
```

Table 9.391:

Argument	Description
objectname	The name of the object or control for which you want to change the redraw setting.
redraw	A boolean value that controls whether PowerBuilder redraws an object automatically after a change. Values are: <ul style="list-style-type: none"> • True -- Automatically redraw the object or control after each change to its properties. • False -- Do not redraw after each change.

Return value

Returns 1 if it succeeds and -1 if an error occurs. If redraw is null, SetRedraw returns null.

Usage

By default, PowerBuilder redraws a control after each change to properties that affect appearance. Use SetRedraw to turn off redrawing temporarily in order to avoid flicker and reduce redrawing time when you are making several changes to the properties of an object or control. If the window is not visible, SetRedraw fails.

PowerBuilder environment

Inherited from DragObject. For more details on use with PowerBuilder objects, see Section 2.4.759, "SetRedraw" in *PowerScript Reference*.

9.181 SetRichTextAlign**Description**

Sets the alignment value to use while editing columns with the RichText edit style.

Applies to

DataWindow control

Syntax

```
Integer dwcontrol.SetRichTextAlign ( Alignment sAlign )
```

Table 9.392:

Argument	Description
dwcontrol	A reference to the DataWindow control
sAlign	Value for specifying the alignment that you want to set for columns with the RichText edit style. Allowable values are: <ul style="list-style-type: none"> Left! Right! Center!

Argument	Description
	Justified!

Return value

Returns 0 if it succeeds and -1 if an error occurs. If the argument's value is null, SetRichTextAlign returns null.

0 -- Success

-1 -- No RichText column is being edited

Usage

You can call this method from a button in a custom toolbar that you use to set display characteristics of columns with the RichText edit style.

Examples

This example sets the alignment value for editing columns that have a RichText edit style:

```
Integer ll_temp
Alignment l_align
l_align = Right!
ll_temp = dw_1.SetRichTextAlign(l_align)
```

See also

[GetRichTextAlign](#)

[GetRichTextColor](#)

[GetRichTextFaceName](#)

[GetRichTextSize](#)

[GetRichTextStyle](#)

9.182 SetRichTextColor

Description

Sets the color to use while editing columns with the RichText edit style.

Applies to

DataWindow control

Syntax

```
Integer dwcontrol.SetRichTextColor ( long color )
```

Table 9.393:

Argument	Description
dwcontrol	A reference to the DataWindow control
color	A long value specifying the color that you want to set for editing columns with the RichText edit style

Return value

Returns 0 if it succeeds and -1 if an error occurs. If the argument's value is null, SetRichTextColor returns null.

0 -- Success

-1 -- No RichText column is being edited

Usage

If the color for columns with the RichText edit style is white, background transparency and gradient and text transparency will not work properly.

You can call this method from a button in a custom toolbar that you use to set display characteristics of columns with the RichText edit style.

Examples

This example sets green as the current color to use for editing columns that have a RichText edit style:

```
Integer l_rtn
Long l_color
l_color = RGB(0, 255, 0)
l_rtn = dw_1.SetRichTextColor(l_color)
```

See also

[GetRichTextColor](#)

[GetRichTextAlign](#)

[GetRichTextFaceName](#)

[GetRichTextSize](#)

[GetRichTextStyle](#)

9.183 SetRichTextFaceName

Description

Sets the typeface to use while editing columns with the RichText edit style.

Applies to

DataWindow control

Syntax

```
Integer dwcontrol.SetRichTextFaceName ( string typeface )
```

Table 9.394:

Argument	Description
dwcontrol	A reference to the DataWindow control
typeface	A string value for the typeface that you want to set for editing columns with the RichText edit style

Return value

Returns 0 if it succeeds and -1 if an error occurs. If the argument's value is null, SetRichTextFaceName returns null.

0 -- Success

-1 -- No RichText column is being edited

Usage

You can call this method from a button in a custom toolbar that you use to set display characteristics of columns with the RichText edit style.

Examples

This example sets Arial as the current typeface to use for editing columns that have a RichText edit style:

```
Integer li_rtn
li_rtn = dw_1.SetRichTextFaceName("Arial")
```

See also

[GetRichTextFaceName](#)

[GetRichTextAlign](#)

[GetRichTextColor](#)

[GetRichTextSize](#)

[GetRichTextStyle](#)

9.184 SetRichTextSize

Description

Sets the size of the font to use while editing columns with the RichText edit style.

Applies to

DataWindow control

Syntax

```
Integer dwcontrol.SetRichTextSize ( long size )
```

Table 9.395:

Argument	Description
dwcontrol	A reference to the DataWindow control
size	A long value for the point size of the font that you want to set for editing columns with the RichText edit style

Return value

Returns 0 if it succeeds and -1 if an error occurs. If the argument's value is null, SetRichTextSize returns null.

0 -- Success

-1 -- No RichText column is being edited

Usage

You can call this method from a button in a custom toolbar that you use to set display characteristics of columns with the RichText edit style.

Examples

This example sets 16 as the current point size to use for editing columns that have a RichText edit style:

```
Integer li_rtn
li_rtn = dw_1.SetRichTextSize(16)
```

See also

[GetRichTextSize](#)

[GetRichTextAlign](#)

[GetRichTextColor](#)

[GetRichTextFaceName](#)

[GetRichTextStyle](#)

9.185 SetRichTextStyle

Description

Sets the style of the font to use while editing columns with the RichText edit style.

Applies to

DataWindow control

Syntax

```
Integer dwcontrol.SetRichTextStyle ( boolean bold, boolean underline, boolean italic, boolean strikeout, )
```

Table 9.396:

Argument	Description
dwcontrol	A reference to the DataWindow control
bold	A boolean for the bold style
underline	A boolean for the underlined style
italic	A boolean for the italic style
strikeout	A boolean for the strikeout style

Return value

Returns 0 if it succeeds and -1 if an error occurs. If the argument's value is null, SetRichTextStyle returns null.

0 -- Success

-1 -- No RichText column is being edited

Usage

You can call this method from a button in a custom toolbar that you use to set display characteristics of columns with the RichText edit style.

Examples

This example sets an underlined, bolded font as the current font for editing columns with a RichText edit style:

```
Integer li_rtn
li_rtn = dw_1.SetRichTextStyle(true, false, false, &
    false)
```

See also

[GetRichTextStyle](#)

[GetRichTextAlign](#)

[GetRichTextColor](#)

[GetRichTextFaceName](#)

[GetRichTextSize](#)

9.186 SetRow

Description

Sets the current row in a DataWindow control or DataStore.

Applies to

Table 9.397:

DataWindow type	Method applies to
PowerBuilder	DataWindow control, DataWindowChild object, DataStore object

Syntax

PowerBuilder

```
integer dwcontrol.SetRow ( long row )
```

Table 9.398:

Argument	Description
dwcontrol	A reference to a DataWindow control, DataStore, or child DataWindow in which you want to set the current row
row	The row you want to make current

Return value

Returns 1 if it succeeds and -1 if an error occurs. If row is less than 1 or greater than the number of rows, SetRow fails.

If any argument's value is null, in PowerBuilder and JavaScript the method returns null.

Usage

SetRow moves the cursor to the current row but does not scroll the DataWindow control or DataStore.

Events

SetRow can trigger these events:

ItemChanged
ItemError
ItemFocusChanged
RowFocusChanged

Avoiding infinite loops

Never call SetRow in the ItemChanged event or any of the other events listed above. Because SetRow can trigger these events, such a recursive call can cause a stack fault.

Examples

This statement sets the current row in dw_employee to 15:

```
dw_employee.SetRow(15)
```

This example unhighlights all highlighted rows, if any. It then sets the current row to 15 and highlights it. If row 15 is not visible, you can use ScrollToRow instead of SetRow:

```
dw_employee.SelectRow(0, false)
dw_employee.SetRow(15)
dw_employee.SelectRow(15, true)
```

See also

[GetColumn](#)

[GetRow](#)

[SetColumn](#)

[SetRowFocusIndicator](#)

9.187 SetRowFocusIndicator

Description

Specifies the visual indicator that identifies the current row in the DataWindow control. You can use the standard dotted-line rectangle of Windows, PowerBuilder's pointing hand, or an image stored in a PowerBuilder Picture control.

Applies to

Table 9.399:

DataWindow type	Method applies to
PowerBuilder	DataWindow control, DataWindowChild object

Syntax

PowerBuilder

```
integer dwcontrol.SetRowFocusIndicator ( RowFocusInd focusindicator
    {, integer xlocation {, integer ylocation } } )
integer dwcontrol.SetRowFocusIndicator ( Picture picturename
```

```
{ , integer xlocation { , integer ylocation } } )
```

Table 9.400:

Argument	Description
dwcontrol	A reference to a DataWindow control or child DataWindow in which you want to set the row focus indicator.
focusindicator or picturename	The visual indicator for the current row. In PowerBuilder, a value of the RowFocusInd enumerated datatype or the name of a PowerBuilder Picture control whose image you want to use. For a list of valid enumerated datatype values, see RowFocusInd .
xlocation (optional)	The x coordinate in PowerBuilder units of the position of the hand or bitmap relative to the upper-left corner of the row.
ylocation (optional)	The y coordinate in PowerBuilder units of the position of the hand or bitmap relative to the upper-left corner of the row.

Return value

Returns 1 if it succeeds and -1 if an error occurs. If any argument's value is null, SetRowFocusIndicator returns null.

Usage

Sets the current row indicator in dwcontrol to focusindicator. If you select Hand or a Picture control as the indicator, PowerBuilder displays the indicator at the left side of the body of the DataWindow unless you specify location coordinates (xlocation, ylocation). The default location is 0,0 (the left side of the body of the DataWindow control).

You must assign a DataWindow object to the DataWindow control before you call SetRowFocusIndicator. If you change the DataWindow object at runtime, you must call SetRowFocusIndicator again to reset the indicator.

Pictures as row focus indicators

To use a picture as the row focus indicator, set up the Picture control in the Window painter. Place the Picture control in the window that contains the DataWindow control and then reference it in the SetRowFocusIndicator method. You can hide the picture or place it under the DataWindow control so the user does not see the control itself.

Examples

This statement sets the row focus indicator in dw_employee to the pointing hand:

```
dw_employee.SetRowFocusIndicator(Hand!)
```

If p_arrow is a Picture control in the window, the following statement sets the row focus indicator in dw_employee to p_arrow:

```
dw_employee.SetRowFocusIndicator(p_arrow)
```

See also

[GetRow](#)

[SetRow](#)

9.188 SetSelfLink (obsolete)

Description

Specifies the URL and page parameters for the current page of the Web DataWindow.

Obsolete method

SetSelfLink is obsolete and should not be used, because the Web DataWindow technology is obsolete.

Applies to

Table 9.401:

DataWindow type	Method applies to
Web	Server component

Syntax

Web DataWindow server component

```
string dwcomponent.SetSelfLink ( string selflink, string selflinkargs )
```

Table 9.402:

Argument	Description
dwcomponent	A reference to an Web DataWindow server component.
selflink	<p>The URL for the current page. It cannot include parameters. Parameters may be added when HTML is generated.</p> <p>Selflink is used to generate URLs for navigation buttons that obtain additional rows from the result set and for other buttons that reload the page, such as Update and Retrieve.</p> <p>Sets the value of the HTMLGen.SelfLink property for the DataWindow object associated with the server component.</p>
selflinkargs	<p>A string in the form:</p> <pre>argname='exp' { argname = 'exp' } ...</pre> <p>Argname is a page parameter to be passed to the server.</p> <p>Exp is a DataWindow string expression that is evaluated, converted using URL encoding, and used as the value of argname in generated HTML.</p> <p>The evaluated selflinkargs expressions are included in the generated HTML as hidden fields. The arguments supply information, such as retrieval arguments, that the server needs to render additional pages of the result set.</p>

Return value

Returns an empty string if successful and the syntax error message from the Modify method if it fails.

Usage

This method calls the Modify method of the server component's DataStore to set the property.

Reason for self-link information

The first time the client browser requests the page template, it can pass page specific information using GET or POST and the page can use those values in the server-side scripts. However, when the page is reloaded because of user interactions with the Web DataWindow, that information will not be passed to the page automatically.

To make the information available, you specify a selflinkargs string that becomes page parameters in the reloaded page. Typically, you would use self-link parameters to provide:

- Login information from another page
- DataWindow object name
- Retrieval arguments for the DataWindow object

Getting the URL for the page

To correctly reload the page in response to user actions, the server component needs to know the URL of the page template. You can get this information from the name property of the document object header or the SCRIPT_NAME server variable.

In a JSP page, you must parse the return value from a request.getRequestURI call:

```
String URI = request.getRequestURI();
String [] myArray = URI.split ("/");
String pageName = myArray [myArray.length-1];
```

In ASP, use the ServerVariables method of the Request object:

```
var pageName =Request.ServerVariables( "SCRIPT_NAME" );
```

Self-link arguments for SetSelfLink

The syntax for specifying self-link arguments is:

```
pageparam='expression' |pageparam='expression'
```

The expression is a DataWindow expression that is evaluates to a string. Usually, you will be passing constant string values that have already been passed to the page as page parameters.

The expression is enclosed in quotes, and if the value is a constant, it must also be enclosed in quotes. For example, if a page parameter has the value Johnson, the value of the expression must be enclosed in two sets of quote marks: "'Johnson'".

To get the value from the current Logname parameter, which is already defined for the page, you build the expression using the Logname page parameter. The single quotes and inner double quotes are embedded in the expression. The current value is inserted between the quotes:

```
String logname = (String) request.getParameter("Logname");
String linkargs = "logname='\\" + logname + "\"'";
```

If the DataWindow object requires retrieval arguments, they must be provided to the reloaded page in selflinkargs. For an example of using SetSelfLink for setting up retrieval arguments as page parameters, see [Retrieve](#).

Examples

This server-side script specifies hyperlink information for the page. The value of the empid column is stored in the page parameter EMPID:

```
webDW.SetSelfLink("mydwpage.html", "EMPID = 'String(empid)'");
```

This hyperlink information refers to the JSP page by name. The page is regenerated by calling the template again. There are no link arguments:

```
webDW.SetSelfLink("salesrpt.jsp", "");
```

This ASP example uses the ServerVariables method of the Request object to get the SCRIPT_NAME variable:

```
var pageName = Request.ServerVariables( "SCRIPT_NAME" );
webDW.SetSelfLink(pageName, "");
```

In JSP you must parse the return value from a request.getRequestURI call. This example also sets up a page parameter for the reloaded page using the page parameter Logname:

```
String URI = request.getRequestURI();
String [] myArray = URI.split ("/");
String pageName = myArray [myArray.length-1];
String logname = (String) request.getParameter("Logname");
String linkargs = "Logname=\'" + logname + "\'";
webDW.SetSelfLink( pageName, linkargs);
```

See also

[Generate](#)

[Modify](#)

[SetAction](#)

[HTMLGen.property](#)

9.189 SetServerServiceClasses (obsolete)

Description

Tells the server component to trigger custom events defined in user objects for data validation. These user objects, referred to as service classes, must be defined in the PBL or PBD containing the DataWindow object for the server component.

Obsolete method

SetServerServiceClasses is obsolete and should not be used, because the Web DataWindow technology is obsolete.

Applies to

Table 9.403:

DataWindow type	Method applies to
Web	Server component

Syntax

Web DataWindow server component

```
short dwcomponent.SetServerServiceClasses ( string serviceclassnames )
```

Table 9.404:

Argument	Description
dwcomponent	A reference to a Web DataWindow server component.
serviceclassnames	A string whose value is a list of PowerBuilder custom class user objects. The user objects must be in the PBL or PBD containing the DataWindow for the server component. Separate user object names with a semicolon.

Return value

Returns 1 if it succeeds and -1 if a specified service class does not exist.

Usage

The main use of service classes is to provide data validation using server-side business logic.

Service classes implement one or more user-defined events with these names and signatures:

```
long dberror ( long sqldbcode, string sqlerrtext, string sqlsyntax, dwbuffer
buffer, long row, datastore ds )
long retrievestart ( datastore ds )
long retrieveend ( long rowcount, datastore ds )
long sqlpreview ( sqlpreviewfunction request, sqlpreviewtype sqltype, string
sqlsyntax, dwbuffer buffer, long row, datastore ds )
long updatestart ( datastore ds )
long updateend ( long rowsinserted, long rowsupdated, long rowsdeleted,
datastore ds )
long htmlcontextapplied ( string action, datastore ds )
```

The custom events can use the same return codes as the corresponding standard DataWindow events documented in [DataWindow Events](#). By setting a return code, a custom event can cause the event action to be canceled in the server component.

When the standard DataWindow event occurs in the server component, the component triggers the custom event in each of the listed service classes. One or more of the components can implement the event. A service class only needs to implement the events whose outcome it wants to influence. Any of the service classes can set an event return code that cancels the event action in the server component.

Runtime errors

Instantiated service objects run in the same objects space as the server component. If a runtime error occurs in the service object, it could cause HTML generation to fail.

Examples

This JavaScript example for a server-side script specifies a list of service classes that implement events:

```
dwMine.SetServerServiceClasses ( "uo_update;uo_retrieve;uo_dberror" );
```

See also

Events:

[HTMLContextApplied](#)

[DBError](#)

[RetrieveStart](#)[RetrieveEnd](#)[SQLPreview](#)[UpdateStart](#)[UpdateEnd](#)

9.190 SetServerSideState (obsolete)

Description

Tells the server component whether to attempt to maintain its state by saving the retrieved data and leaving the transaction open. Keeping the retrieved data means that the component does not need to reconnect and retrieve data every time a method is called.

Obsolete method

SetServerSideState is obsolete and should not be used, because the Web DataWindow technology is obsolete.

Applies to

Table 9.405:

DataWindow type	Method applies to
Web	Server component

Syntax

Web DataWindow server component

```
string dwcomponent.SetServerSideState ( boolean maintainstate )
```

Table 9.406:

Argument	Description
dwcomponent	A reference to a Web DataWindow server component
maintainstate	Specifies whether the server will attempt to maintain its state between method calls. Values are: <ul style="list-style-type: none"> • True -- The server component will keep the result set and keep the transaction open if possible. • False -- (Default) The result set is not saved and the server component uses information passed back from the client to retrieve the result set again and remember any uncommitted changes.

Return value

Returns an empty string if it succeeds and an error message from server if it fails.

Usage

How state is maintained for a stateless component

The Web DataWindow can run in a fully stateless server environment. Variables in the Web page keep information about the rows being viewed and changes the user makes and this information is communicated to the server component as needed so the component can restore its state each time it is called. Restoring its state includes retrieving data from the database each time the page is reloaded, including each time the user navigates to another page.

Performance impact of a stateless component

Operating in a stateless mode minimizes use of server resources but can decrease performance. The client maintains the state of the server component in string form and the information is sent back and forth with every request. Also, when state is not maintained on the server, the component must connect to the database and retrieve data each time it is called. If the component server does not do connection caching, response time for the client could be very slow.

Maintaining state on the server

You can increase performance by maintaining state on the server. To maintain state, the page server's session object keeps a reference to the server component.

Maintaining state on the server will provide faster response time if the same component is accessed again. However, it also increases the server resources used for each client connection.

To minimize impact on server resources, a short timeout on a session lets the server get rid of a component that might not be requested again. If the component is called again, its state can be restored from the client state information.

You can also increase performance by calling Update frequently.

Examples

This example specifies that the server component should maintain state:

```
webDW.SetServerSideState( true );
```

See also

[Update](#)

9.191 SetSort

Description

Specifies sort criteria for a DataWindow control or DataStore.

Applies to

Table 9.407:

DataWindow type	Method applies to
PowerBuilder	DataWindow control, DataWindowChild object, DataStore object

Syntax

PowerBuilder


```
integer dwcontrol.SetSort ( string format )
```

Table 9.408:

Argument	Description
dwcontrol	A reference to a DataWindow control, DataStore, or child DataWindow.
format	A string whose value is valid sort criteria for the DataWindow (see Usage). The expression includes column names or numbers. A column number must be preceded by a pound sign (#). If format is null, PowerBuilder prompts you to enter the sort criteria.

Return value

Returns 1 if it succeeds and -1 if an error occurs.

Usage

A DataWindow object can have sort criteria specified as part of its definition. SetSort overrides the definition, providing new sort criteria for the DataWindow. However, it does not actually sort the rows. Call the Sort method to perform the actual sorting.

When the Retrieve method retrieves data for the DataWindow, PowerBuilder applies the sort criteria that were defined for the DataWindow object, if any.

The sort criteria for a column have one of the forms shown in the following table, depending on whether you specify the column by name or number.

Table 9.409: Examples for specifying sort order

Syntax for sort order	Examples
columnname order	"emp_lname A" "emp_lname asc, dept_id desc"
# columnnumber order	"#3 A"

The following table shows the recognized values for order. These values are case insensitive. For example, as, s, AS, or S all specify a case-sensitive sort in ascending order.

Table 9.410: Recognized values for sort order

Order value	Resulting sort order
a, asc, ascending, ai, i	Case-insensitive ascending
d, desc, descending, di	Case-insensitive descending
as, s	Case-sensitive ascending
ds	Case-sensitive descending

If you omit order or specify an unrecognized string, the sort is performed in ascending order and is case insensitive. You can specify secondary sorting by specifying criteria for additional columns in the format string. Separate each column specification with a comma.

If you omit order or specify an unrecognized string, the Describe function may obtain the incorrect sort criteria. It is recommended that you set the order value to "A" or "D" (asc, ascending, desc, or descending are not recommended) if you want the Describe function

to return the correct sort criteria. For example use `setsort("id A,name A")` instead of `setsort("id,name")`.

To let the user specify the sort criteria for a DataWindow control, you can pass a null string to the `SetSort` method. PowerBuilder displays the Specify Sort Columns dialog with the sort specifications blank. Then you can call `Sort` to apply the user's criteria. You cannot pass a null string to the `SetSort` method for a DataStore object.

Examples

This statement sets the sort criteria for `dw_employee` so `emp_status` is sorted in ascending order and within each employee status, `emp_salary` is sorted in descending order:

```
dw_employee.SetSort("emp_status asc, emp_salary desc")
```

If `emp_status` is column 1 and `emp_salary` is column 5 in `dw_employee`, then the following statement is equivalent to the sort specification above:

```
dw_employee.SetSort("#1 A, #5 D")
```

This example defines sort criteria to sort the status column in ascending order and the salary column in descending order within status. Both sorts are case-sensitive. After assigning the sort criteria to the DataWindow control `dw_emp`, it sorts `dw_emp`:

```
string newsort
newsort = "emp_status as, emp_salary ds"
dw_emp.SetSort(newsort)
dw_emp.Sort( )
```

The following example sets the sort criteria for `dw_main` to null, causing PowerBuilder to display the Specify Sort Columns dialog so that the user can specify sort criteria. The `Sort` method applies the criteria the user specifies:

```
string null_str
SetNull(null_str)
dw_main.SetSort(null_str)
dw_main.Sort( )
```

See also

[Sort](#)

9.192 SetSQLPreview

Description

Specifies the SQL statement for a DataWindow control or DataStore that PowerBuilder is about to send to the database.

Applies to

Table 9.411:

DataWindow type	Method applies to
PowerBuilder	DataWindow control, DataWindowChild object, DataStore object

Syntax

PowerBuilder

```
integer dwcontrol.SetSQLPreview ( string sqlsyntax )
```

Table 9.412:

Argument	Description
dwcontrol	A reference to a DataWindow control, DataStore, or child DataWindow
sqlsyntax	A string whose value is valid SQL syntax for the SQL statement that will be submitted to the database server

Return value

Returns 1 if it succeeds and 0 if an error occurs. If any argument's value is null, in PowerBuilder and JavaScript the method returns null.

Usage

Use SetSQLPreview to modify syntax before you update the database with changes in the DataWindow object.

To obtain the current SQL statement in the SQLPreview event, look at the sqlsyntax argument.

When to call SetSQLPreview

Call this method only in the script for the SQLPreview event.

Examples

This statement sets the current SQL string for the DataWindow dw_1:

```
dw_1.SetSQLPreview( &
    "INSERT INTO billings VALUES(100, " + &
    String(Current_balance) + ")")
```

See also

[GetSQLPreview](#)

[GetUpdateStatus](#)

9.193 SetSQLSelect**Description**

Specifies the SQL SELECT statement for a DataWindow control or DataStore.

Applies to**Table 9.413:**

DataWindow type	Method applies to
PowerBuilder	DataWindow control, DataWindowChild object, DataStore object

Syntax

PowerBuilder

```
integer dwcontrol.SetSQLSelect ( string statement )
```

Table 9.414:

Argument	Description
dwcontrol	The name of the DataWindow control, DataStore, or child DataWindow for which you want to change the SELECT statement.
statement	A string whose value is the SELECT statement for the DataWindow object. The statement must structurally match the current SELECT statement (that is, it must return the same number of columns, the columns must be the same datatype, and the columns must be in the same order).

Return value

SetSQLSelect returns 1 if it succeeds and -1 if the SELECT statement cannot be changed. If any argument's value is null, in PowerBuilder and JavaScript the method returns null.

Usage

Use SetSQLSelect to dynamically change the SQL SELECT statement for a DataWindow object in a script.

If the DataWindow is updatable, PowerBuilder validates the SELECT statement against the database and DataWindow column specifications when you call the SetSQLSelect method. Each column in the SQL SELECT statement must match the column type in the DataWindow object. The statement is validated only if the DataWindow object is updatable.

You must use the SetTrans or SetTransObject method to set the transaction object before the SetSQLSelect method will execute.

If the new SELECT statement has a different table name in the FROM clause and the DataWindow object is updatable, then PowerBuilder must change the update information for the DataWindow object. PowerBuilder assumes the key columns are in the same positions as in the original definition. The following conditions would make the DataWindow not updatable:

- There is more than one table in the FROM clause
- A DataWindow update column is a computed column in the SELECT statement

If changing the SELECT statement makes the DataWindow object not updatable, the DataWindow control cannot execute an Update method call for the DataWindow object in the future.

Limitations to using SetSQLSelect

Use SetSQLSelect only if the data source for the DataWindow object is a SQL SELECT statement without retrieval arguments and you want PowerBuilder to modify the update information for the DataWindow object:

```
dw_1.Modify("DataWindow.Table.Select='select... '")
```

Modify does not verify the SELECT statement or change the update information, so it is faster but more susceptible to user error. Although you can use Modify when arguments are involved, this is not recommended because of the lack of verification.

Examples

If the current SELECT statement for dw_emp retrieves no rows, the following statements replace it with the syntax in NewSyn:

```
string OldSyn, NewSyn
OldSyn = &
    'SELECT employee.EMP_Name FROM employee' &
    + 'WHERE salary < 70000'
NewSyn = 'SELECT employee.EMP_Name FROM employee' &
    + 'WHERE salary < 100000'

IF dw_emp.Retrieve( ) = 0 THEN
    dw_emp.SetSQLSelect(NewSyn)
    dw_emp.Retrieve()
END IF
```

See also

[Modify](#)

[Retrieve](#)

[SetTrans](#)

[SetTransObject](#)

[Update](#)

9.194 SetTabOrder

Description

Changes the tab sequence number of a column in a DataWindow control to the specified value.

Applies to

Table 9.415:

DataWindow type	Method applies to
PowerBuilder	DataWindow control, DataWindowChild object

Syntax

PowerBuilder

```
integer dwcontrol.SetTabOrder ( integer column, integer tabnumber )
integer dwcontrol.SetTabOrder ( string column, integer tabnumber )
```

Table 9.416:

Argument	Description
dwcontrol	A reference to a DataWindow control or child DataWindow in which you want to define the tab order.
column	The column to which you are assigning a tab value. Column can be a column number or a column name. The column number is the number of the column as it is listed in the Column Specification view of the DataWindow painter -- not necessarily the number of the column in the Design view.

Argument	Description
tabnumber	The tab sequence number (0 - 9999) you want to assign to the DataWindow column. 0 removes the column from the tab order, which makes it read-only.

Return value

Returns the previous tab value of the column if it succeeds and -1 if an error occurs. If any argument's value is null, in PowerBuilder and JavaScript the method returns null.

Usage

You can change a column in a DataWindow object to read-only by changing the tab sequence number of the column to 0.

Examples

This statement changes column 4 of dw_Employee to read-only:

```
dw_Employee.SetTabOrder(4, 0)
```

These statements change column 4 of dw_employee to read-only and later restore the column to its original tab value with read/write status:

```
integer OldTabNum
// Set OldTabNum to the previous tab order value
OldTabNum = dw_employee.SetTabOrder(4, 0)
... // Some processing
// Return column 4 to its previous tab value.
dw_employee.SetTabOrder(4, OldTabNum)
```

9.195 SetText

Description

Replaces the text in the edit control over the current row and column in a DataWindow control or DataStore.

Applies to

Table 9.417:

DataWindow type	Method applies to
PowerBuilder	DataWindow control, DataStore object

Syntax

PowerBuilder

```
integer dwcontrol.SetText ( string text )
```

Table 9.418:

Argument	Description
dwcontrol	The name of the DataWindow control or DataStore in which you want to specify the text in the current row and column.
text	A string whose value you want to put in the current row and column. The value must be compatible with the datatype of the column.

Return value

Returns 1 if it succeeds and -1 if an error occurs. If any argument's value is null, in PowerBuilder and JavaScript the method returns null.

Usage

SetText only sets the value in the edit control. When the user changes focus to another row and column, PowerBuilder accepts the text as the item in the row and column.

Using SetText in the ItemChanged and ItemError events

In the ItemChanged or ItemError event, PowerBuilder or your own script might determine that the value in the edit control is invalid or that it needs further processing. You can call SetItem to specify a new item value for the row and column.

If you want the user to have an opportunity to enter a different value, after calling SetItem you can call SetText to put that same value in the edit control so that the user sees the value too. You can also call SetText without calling SetItem. In the script, use a return code that rejects the value in the edit control, avoiding further processing, but does not allow the focus to change. To retain focus and display an error message, return 1 for ItemChanged or 0 for ItemError.

When you use a return code that rejects the data the user entered but allows the focus to change (a return code of 2 in the script for the ItemChanged event or 3 in the ItemError event), you do not need to call SetText because the value set with SetItem displays when the focus changes.

Examples

These statements replace the value of the current row and column in dw_employee with Tex and then call AcceptText to accept and move Tex into the current column. (Do not use this code in the ItemChanged or ItemError event because it calls AcceptText.)

```
dw_employee.SetText("Tex")
dw_employee.AcceptText()
```

This example converts a number that the user enters in the column called credit to a negative value and sets both the item and the edit control's text to the negative number. This code is the script for the ItemChanged event. The data argument holds the newly entered value:

```
integer negative

IF dwo.Name = "credit" THEN
    IF Integer(data) > 0 THEN
        // Convert to negative if it's positive
        negative = Integer(data) * -1

        // Change the primary buffer value.
        This.SetItem(row, "credit", negative)

        // Change the value in the edit control
        This.SetText(String(negative))
        RETURN 1
    END IF
END IF
```

See also

[AcceptText](#)

[GetText](#)[SetItem](#)

9.196 SetTrans

Description

Sets the values in the internal transaction object for a DataWindow control or DataStore to the values from the specified transaction object. The transaction object supplies connection settings, such as the database name.

Applies to

Table 9.419:

DataWindow type	Method applies to
PowerBuilder	DataWindow control, DataWindowChild object, DataStore object

Syntax

PowerBuilder

```
integer dwcontrol.SetTrans ( transaction transaction )
```

Table 9.420:

Argument	Description
dwcontrol	A reference to a DataWindow control, DataStore, or child DataWindow in which you want to set the values of the internal transaction object
transaction	The name of the transaction object from which you want dwcontrol to get values

Return value

Returns 1 if it succeeds and -1 if an error occurs. If any argument's value is null, the method returns null.

Usage

In most cases, use the SetTransObject method to specify the transaction object. It is more efficient and allows you to control when changes get committed to the database.

SetTrans copies the values from a specified transaction object to the internal transaction object for the DataWindow control or DataStore. When you use SetTrans in a script, the DataWindow uses its internal transaction object and automatically connects and disconnects as needed; any errors that occur cause an automatic rollback. With SetTrans, you do not specify SQL statements, such as CONNECT, COMMIT, and DISCONNECT. The DataWindow control connects and disconnects after each Retrieve or Update function.

Use SetTransObject with composite DataWindows

You must use SetTransObject with DataWindow objects that use the Composite presentation style. Composite DataWindows are containers for other DataWindow objects and do not have any internal transaction information of their own.

If you use SetTrans with each nested DataWindow in a composite DataWindow, disconnect does not occur until the PowerBuilder session ends.

Use SetTrans when you want PowerBuilder to manage the database connections automatically because you have a limited number of available connections or expect to use the application from a remote location. SetTrans is appropriate when you are only retrieving data and do not need to hold database locks on records the user is modifying. For better performance, however, you should use SetTransObject.

DBMS connection settings

You must set the parameters required to connect to your DBMS in the transaction object before you can use the transaction object to set the DataWindow's internal transaction object and connect to the database.

Updating more than one table

When you use SetTrans to specify the transaction object, you cannot update multiple DataWindow objects or multiple tables within one object.

Examples

This statement sets the values in the internal transaction object for dw_employee to the values in the default transaction object SQLCA:

```
dw_employee.SetTrans(SQLCA)
```

The following statements change the database type and password of dw_employee. The first two statements create the transaction object emp_TransObj. The next statement uses the GetTrans method to store the values of the internal transaction object for dw_employee in emp_TransObj. The next two statements change the database type and password. The SetTrans method assigns the revised values to dw_employee:

```
// Name the transaction object.
transaction emp_TransObj

// Create the transaction object.
emp_TransObj = CREATE transaction

// Fill the new object with the original values.
dw_employee.GetTrans(emp_TransObj)
// Change the database type.
emp_TransObj.DBMS = "Sybase"
// Change the password.
emp_TransObj.LogPass = "cam2"

// Put the revised values into the
// DataWindow transaction object.
dw_employee.SetTrans(emp_TransObj)
```

See also

[GetTrans](#)

[SetTransObject](#)

9.197 SetTransObject

Description

Causes a DataWindow control or DataStore to use a programmer-specified transaction object. The transaction object provides the information necessary for communicating with the database.

Applies to

Table 9.421:

DataWindow type	Method applies to
PowerBuilder	DataWindow control, DataWindowChild object, DataStore object

Syntax

PowerBuilder

```
integer dwcontrol.SetTransObject ( transaction transaction )
```

Table 9.422:

Argument	Description
dwcontrol	A reference to a DataWindow control, DataStore, or child DataWindow in which you want to use a programmer-specified transaction object rather than the DataWindow control's internal transaction object
transaction	The name of the transaction object you want to use in the dwcontrol

Return value

Returns 1 if it succeeds and -1 if an error occurs. If any argument's value is null, in PowerBuilder and JavaScript the method returns null.

Usage

Transaction objects in PowerBuilder

A programmer-specified transaction object gives you more control over the database transactions and provides efficient application performance. You control the database connection by using SQL statements such as CONNECT, COMMIT, and ROLLBACK.

Since the DataWindow control does not have to connect to the database for every RETRIEVE and UPDATE statement, these statements run faster. You are responsible for committing and rolling back transactions after you call the Update method, using code like the following:

```
IF dw_Employee.Update()>0 THEN
    COMMIT USING emp_transobject;
ELSE
    ROLLBACK USING emp_transobject;
END IF
```

You must set the parameters required to connect to your DBMS in the transaction object before you can use the transaction object to connect to the database. PowerBuilder provides a global transaction object called SQLCA, which is all you need if you are connecting to one database. You can also create additional transaction objects, as shown in the examples.

To use SetTransObject, write code that does the following tasks:

1. Set up the transaction object by assigning values to its fields (usually in the application's Open event).
2. Connect to the database using the SQL CONNECT statement and the transaction object (in the Open event for the application or window).
3. Call SetTransObject to associate the transaction object with the DataWindow control or DataStore (usually in the window's Open event).
4. Check the return value from the Update method and follow it with a SQL COMMIT or ROLLBACK statement, as appropriate.

If you change the DataWindow object associated with the DataWindow control (or DataStore) or if you disconnect and reconnect to a database, the connection between the DataWindow control (or DataStore) and the transaction object is severed. You must call SetTransObject again to reestablish the connect.

SetTransObject versus SetTrans

In most cases, use the SetTransObject method to specify the transaction object because it is efficient and gives you control over when transactions are committed.

The SetTrans method provides another way of managing the database connection. SetTrans, which sets transaction information in the internal transaction object for the DataWindow control or DataStore, manages the connection automatically. You do not explicitly connect to the database; the DataWindow connects and disconnects for each database transaction, which is less efficient but necessary in some situations.

For more information, see [SetTrans](#).

Examples

This statement causes dw_employee to use the default transaction object SQLCA:

```
dw_employee.SetTransObject(SQLCA)
```

This statement causes dw_employee to use the programmer-defined transaction object emp_TransObj. In this example, emp_TransObj is an instance variable, but your script must allocate memory for it with the CREATE statement before you use it:

```
emp_TransObj = CREATE transaction
... // Assign values to the transaction object
dw_employee.SetTransObject(emp_TransObj)
```

This example has two parts. The first script, for the application's Open event, reads database parameters from an initialization file called MYAPP.INI and stores the values in the default transaction object (SQLCA). The Database section of MYAPP.INI has the same keywords as PowerBuilder's own PB.INI file. The parameters shown are for a SQL Server or Oracle database. The second script, for the window's Open event, establishes a connection and retrieves data from the database.

The application's Open event script populates SQLCA:

```
SQLCA.DBMS = ProfileString("myapp.ini", &
    "database", "DBMS", " ")
SQLCA.Database = ProfileString("myapp.ini", &
```

```

        "database", "Database", " ")
SQLCA.LogId = ProfileString("myapp.ini", &
    "database", "LogId", " ")
SQLCA.LogPass = ProfileString("myapp.ini", &
    "database", "LogPassword", " ")
SQLCA.ServerName = ProfileString("myapp.ini", &
    "database", "ServerName", " ")
SQLCA.UserId = ProfileString("myapp.ini", &
    "database", "UserId", " ")
SQLCA.DBPass = ProfileString("myapp.ini", &
    "database", "DatabasePassword", " ")
SQLCA.lock = ProfileString("myapp.ini", &
    "database", "lock", " ")

```

The Open event script for the window that contains the DataWindow control connects to the database, assigns the transaction object to the DataWindow, and retrieves data:

```

long RowsRetrieved
string LastName

// Connect to the database.
CONNECT USING SQLCA;

// Test whether the connect succeeded.
IF SQLCA.SQLCode <> 0 THEN
    MessageBox("Connect Failed", &
        "Cannot connect to database " &
        + SQLCA.SQLErrText)
    RETURN
END IF

// Set the transaction object to SQLCA.
dw_employee.SetTransObject(SQLCA)

// Retrieve the rows.
LastName = ...
RowsRetrieved = dw_employee.Retrieve(LastName)
// Test whether the retrieve succeeded.
IF RowsRetrieved < 0 THEN
    MessageBox("Retrieve Failed", &
        "Cannot retrieve data from the database.")
END IF

```

See also

[GetTrans](#)

[SetTrans](#)

9.198 SetValidate

Description

Sets the input validation rule for a column in a DataWindow control or DataStore.

Applies to

Table 9.423:

DataWindow type	Method applies to
PowerBuilder	DataWindow control, DataWindowChild object, DataStore object

Syntax

PowerBuilder

```
integer dwcontrol.SetValidate ( string column, string rule )
integer dwcontrol.SetValidate ( integer column, string rule )
```

Table 9.424:

Argument	Description
dwcontrol	A reference to a DataWindow control, DataStore, or child DataWindow.
column	The column for which you want to set the input validation rule. Column can be a column number or a column name.
rule	A string whose value is the validation rule for validating the data.

Return value

Returns 1 if it succeeds and -1 if an error occurs. If any argument's value is null, in PowerBuilder and JavaScript the method returns null.

Usage

Validation rules are boolean expressions that usually compare the value in the column's edit control to some other value. When data the user enters fails to meet the criteria established in the validation rule, an ItemError event occurs.

You can specify validation rules in the Database painter or the DataWindow painter, and you can change the rules in scripts using SetValidate. A validation rule can include any DataWindow painter function. For more information, see Section 6.5.11, "Defining validation rules" in *Users Guide*.

If you want to change a column's validation rule temporarily, you can use GetValidate to get and save the current rule. To include the value the user entered in the validation rule, use the GetText method. You can compare its return value to the validation criteria.

If the validation rule contains numbers, the DataWindow expects the numbers in U.S. format. In PowerBuilder, be aware that the String function formats numbers using the current system settings. If you use it to build the rule, specify a display format that produces U.S. notation.

Examples

The following assigns a validation rule to the current column in dw_employee. The rule ensures that the data entered is greater than zero:

```
dw_employee.SetValidate(dw_employee.GetColumn(), &
    "Number(GetText( )) > 0")
```

The following assigns a validation rule to the current column in dw_employee. The rule checks that the value entered is less than the value in the Full_Price column:

```
dw_employee.SetValidate(dw_employee.GetColumn(), &
    "Number(GetText( )) < Full_Price")
```

This example defines a new validation rule for the column emp_state in the DataWindow control dw_employee. The new rule is [A-Z]+, meaning the data in emp_state must be all uppercase characters. The text pattern must be enclosed in quotes within the quoted validation rule. The embedded quotes are specified with ~". The script saves the old rule,

assigns the new rule, performs some processing, and then sets the validation rule back to the old rule:

```
string OldRule, NewRule

NewRule = "Match(GetText(), ~"[A-Z]+~")"

OldRule = dw_employee.GetValidate("emp_state")

dw_employee.SetValidate("emp_state", NewRule)
... //Process data using the new rule.

// Set the validation rule back to the old rule.
dw_employee.SetValidate("emp_state", OldRule)
```

See also

[GetValidate](#)

9.199 SetValue

Description

Sets the value of an item in a value list or code table for a column in a DataWindow control or DataStore. (A value list is called a code table when it has both display and data values.) SetValue does not affect the data stored in the column.

Applies to

Table 9.425:

DataWindow type	Method applies to
PowerBuilder	DataWindow control, DataWindowChild object, DataStore object

Syntax

PowerBuilder

```
integer dwcontrol.SetValue ( string column, integer index, string value )
integer dwcontrol.SetValue ( integer column, integer index, string value )
```

Table 9.426:

Argument	Description
dwcontrol	A reference to a DataWindow control or DataStore.
column	The column that contains the value list or code table. Column can be a column number or a column name. The edit style of the column can be DropDownListBox, Edit, or RadioButton. SetValue has no effect when column has the EditMask or DropDownDataWindow edit style.
index	The number of the item in the value list or code table for which you want to set the value.
value	A string whose value is the new value for the item. For a code table, use a tab (~t in PowerBuilder) to separate the display value from the data value

Argument	Description
	("Texas~tTX"). The data value must be a string that can be converted to the datatype of the column.

Return value

Returns 1 if it succeeds and -1 if an error occurs. If any argument's value is null, in PowerBuilder and JavaScript the method returns null.

Examples

This statement sets the value of item 3 in the value list for the column emp_state of dw_employee to Texas:

```
dw_employee.SetValue("emp_state", 3, "Texas")
```

This statement sets the display value of item 3 in the code table for the column named emp_state of dw_employee to Texas and the data value to TX:

```
dw_employee.SetValue("emp_state", 3, "Texas~tTX")
```

The following statements use a SQL cursor and FETCH statement to populate the ListBox portion of a DropDownListBox style column called product_col of a DataWindow object with code table values:

```
integer prod_code, i = 1
string prod_name

DECLARE prodcur CURSOR FOR
    SELECT product.name, product.code
    FROM product USING SQLCA;

CONNECT USING SQLCA;
IF SQLCA.SQLCode <> 0 THEN
    MessageBox("Status","Connect Failed " &
        + SQLCA.SQLErrText)
    RETURN
END IF

OPEN prodcur;
IF SQLCA.SQLCode <> 0 THEN
    MessageBox("Status","Cursor Open Failed " &
        + SQLCA.SQLErrText)
    RETURN
END IF

FETCH prodcur INTO :prod_name, :prod_code;

DO WHILE SQLCA.SQLCode = 0
    dw_products.SetValue("product_col", i, &
        prod_name + "~t" + String(prod_code))
    i = i + 1
    FETCH prodcur INTO :prod_name, :prod_code;
LOOP

CLOSE prodcur;
DISCONNECT USING SQLCA;
```

See also

[GetValue](#)

9.200 SetWeight (obsolete)

Description

Specifies the types of JavaScript code that will be included in the generated HTML or XHTML.

Obsolete method

SetWeight is obsolete and should not be used, because the Web DataWindow technology is obsolete.

Applies to

Table 9.427:

DataWindow type	Method applies to
Web	Server component

Syntax

Web DataWindow server component

```
integer dwcomponent.SetWeight ( boolean allowupdate, boolean validation, boolean events, boolean clientscriptable, boolean clientformatting )
```

Table 9.428:

Argument	Description
dwcomponent	A reference to a Web DataWindow server component.
allowupdate	Specifies whether the generated HTML will be a form with INPUT elements so that the user can change the data. Values are: <ul style="list-style-type: none"> • True -- The generated HTML is a form. The user can change the data. • False -- The generated HTML is a table. The user cannot change the data. When allowupdate is false, validation and clientformatting are ignored and no validation or formatting scripts are generated.
validation	Specifies whether the generated HTML will include scripts for validating data the user enters. The scripts implement validation rules defined in the DataWindow object. Values are: <ul style="list-style-type: none"> • True -- The generated HTML has scripts that implement validation rules. • False -- The generated HTML does not validate user-entered data. Sets the value of the HTMLGen.ClientValidation property for the DataWindow object associated with the server component.
events	Specifies whether the generated HTML will include code for triggering events. Values are: <ul style="list-style-type: none"> • True -- The generated HTML has scripts that trigger events.

Argument	Description
	<ul style="list-style-type: none"> False -- The generated HTML does not trigger events. <p>Sets the value of the HTMLGen.ClientEvents property for the DataWindow object associated with the server component.</p> <p>The available events are listed in the DataWindow event cross-reference.</p>
clientscriptable	<p>Specifies whether the generated HTML allows client-side scripts to call methods of the client control. Values are:</p> <ul style="list-style-type: none"> True -- The generated HTML includes methods that the client scripts can call. False -- The generated HTML does not include methods. <p>This option adds approximately 100K to the generated HTML.</p> <p>Sets the value of the HTMLGen.ClientScriptable property for the DataWindow object associated with the server component.</p>
clientformatting	<p>Specifies whether the generated HTML will include scripts for formatting data the user enters. The scripts implement display formats defined in the DataWindow object. Values are:</p> <ul style="list-style-type: none"> True -- The generated HTML has scripts that format user-entered data. False -- The generated HTML does not format user-entered data. <p>Sets the value of the HTMLGen.ClientFormatting property for the DataWindow object associated with the server component.</p>

Return value

Returns an empty string if successful and the syntax error message from the Modify method if it fails.

Usage

When code for more features is included, the Web DataWindow becomes a more robust tool for data entry and manipulation, allowing data validation, formatting, and client-side scripts that react to user actions. However, if your application does not use some of these features, you can decrease the size of the generated code by setting the appropriate options to false.

This method calls the Modify method of the server component's DataStore to set the properties.

These properties can also be set in the DataWindow painter so that the settings are part of the DataWindow object definition.

Examples

This example specifies updating of data is not supported in the server component webDW, but events are supported so client-side scripts can respond to user actions:

```
webDW.SetWeight( false, false, true, true, false );
```

This example specifies that all features are supported except client-side scripting. Scripts in the Web page will not be able to call Web DataWindow client methods:

```
webDW.SetWeight( true, true, true, false, true );
```

This example specifies that all features are supported:

```
webDW.SetWeight( true, true, true, true, true );
```

See also

[Generate](#)

[Modify](#)

[SetAction](#)

[HTMLGen.property](#)

9.201 SetWSObject (Obsolete)

Description

Causes a DataWindow control or DataStore to use a programmer-specified Web service connection object. The connection object provides the information necessary for communicating with a Web service data source.

Applies to

Table 9.429:

DataWindow type	Method applies to
PowerBuilder	DataWindow control, DataWindowChild object, DataStore object

Syntax

PowerBuilder

```
integer dwcontrol.SetWSObject ( wsconnection wsubject )
```

Table 9.430:

Argument	Description
dwcontrol	A reference to a DataWindow control, DataStore, or child DataWindow in which you want to use a programmer-specified Web service connection object
wsubject	The name of the connection object you want to use in the dwcontrol

Return value

Returns 1 if it succeeds and -1 if an error occurs. If the WSConnection object is null, in PowerBuilder the method returns null.

Usage

You call the SetWSObject method to pass an instance of the WSConnection object and connect to a Web service data source, when the Web service requires user-related, session-

related, or authentication information. If the Web service does not require this information, you do not need to use the WSCONNECTION object (or call SetWSObject) to access Web service data.

Examples

The following code instantiates a WSCONNECTION object, then sets the object as the connection object for a Web service data source:

```
int ii_return
wsconnection ws_1
ws_1 = create wsconnection
ws_1.username = "johndoe"
ws_1.password = "mypassword"
ws_1.endpoint = "myendpoint"
ws_1.authenticationmode = "basic"
ws_1.usewindowsintegratedauthentication = true
ii_return = dw_1.setwsobject (ws_1)
```

See also

[SetTransObject](#)

9.202 ShareData

Description

Shares data retrieved by one DataWindow control (or DataStore), which is referred to as the primary DataWindow, with another DataWindow control (or DataStore), referred to as the secondary DataWindow.

The controls do not share formatting; only the data is shared, including data in the primary buffer, the delete buffer, the filter buffer, and the sort order.

Note If you are using ShareData and then use ReselectRow on the primary DataWindow, the secondary DataWindow resets back to row 1, column 1.

Applies to

Table 9.431:

DataWindow type	Method applies to
PowerBuilder	DataWindow control, DataWindowChild object, DataStore object

Syntax

PowerBuilder

```
integer dwprimary.ShareData ( datawindow dwsecondary )
integer dwprimary.ShareData ( datastore dwsecondary )
integer dwprimary.ShareData ( datawindowchild dwsecondary )
```

Table 9.432:

Argument	Description
dwprimary	The name of the primary DataWindow. The primary DataWindow is the owner of the data. When you destroy this DataWindow, the data disappears.

Argument	Description
	Dwprimary can be a child DataWindow but it cannot be a report in a composite DataWindow object or a Crosstab DataWindow object.
dwsecondary	The name of the secondary DataWindow with which the control dwprimary will share the data. The secondary DataWindow can be a child DataWindow or a report in a composite DataWindow object but it cannot be a Crosstab DataWindow object.

Return value

Returns 1 if it succeeds and -1 if an error occurs.

Usage

The columns must be the same for the DataWindow objects in the primary and secondary DataWindow controls, but the SELECT statements may be different. For example, you could share data between DataWindow objects with these SELECT statements:

```
SELECT dept_id from dept
SELECT dept_id from dept where dept_id = 200
SELECT dept_id from employee
```

WHERE clause in secondary has no effect

The WHERE clause in the DataWindow object in the secondary DataWindow control has no effect on the number of rows returned. The number of rows returned to both DataWindow controls is determined by the WHERE clause in the primary DataWindow object.

You could also share data with a DataWindow object that has an external data source and columns defined to be like the columns in the primary. To share data between a primary DataWindow and more than one secondary DataWindow control, call ShareData for each secondary DataWindow control.

ShareData shares only the primary buffer of the primary DataWindow with the primary buffer of the secondary DataWindow. A DropDownDataWindow in the secondary DataWindow will not display any data unless you explicitly populate it. You can do this by getting a handle to the DropDownDataWindow (by calling the GetChild method) and either retrieving the DropDownDataWindow or using ShareData to share data from an appropriate data source with the DropDownDataWindow.

To turn off sharing in a primary or secondary DataWindow, call the ShareDataOff method. When sharing is turned off for the primary DataWindow, the secondary DataWindows are disconnected and the data disappears. However, turning off sharing for a secondary DataWindow does not affect the data in the primary DataWindow or other secondary DataWindows.

When you call methods in either the primary or secondary DataWindow that change the data, PowerBuilder applies them to the primary DataWindow control and all secondary DataWindow controls are affected.

For example, when you call any of the following methods for a secondary DataWindow control, PowerBuilder applies it to the primary DataWindow. Therefore, all messages

normally associated with the method go to the primary DataWindow control. Such methods include:

DeleteRow
Filter
GetSQLSelect
ImportFile
ImportString
ImportClipboard
InsertRow
ReselectRow
Reset
Retrieve
SetFilter
SetSort
SetSQLSelect
Sort
Update

There are some restrictions on the use of ShareData:

- Computed fields in secondary DataWindow controls

A secondary DataWindow control can have only data that is in the primary DataWindow control. If you add a computed field to a secondary control, it will not display when you run the application unless you also add it to the primary control.

- Query mode and secondary DataWindows

When you are sharing data, you cannot turn on query mode for a secondary DataWindow. Trying to set the QueryMode or QuerySort DataWindow object properties results in an error.

- Crosstab DataWindows

You cannot use ShareData with a Crosstab DataWindow as the primary or secondary DataWindow.

- Composite and child DataWindows

You can use a report in a Composite DataWindow as the secondary DataWindow, but not the primary DataWindow. You can use ShareData with a child DataWindow as the primary or secondary DataWindow.

- Distributed applications

You cannot share data between a DataWindow control in a client application and a DataStore in a server application.

Use DataSource with RichTextEdit controls

To share data between a DataStore or DataWindow and a RichTextEdit control, use the DataSource method.

Examples

In this example, the programmer wants to allow the user to view two portions of the same data retrieved from the database and uses the `ShareData` method to accomplish this in the script for the Open event for the window.

The `SELECT` statement for both DataWindow objects is the same, but the DataWindow object in `dw_dept` displays only two of the five columns displayed in `dw_employee`:

```
CONNECT USING SQLCA;
dw_employee.SetTransObject(SQLCA)
dw_employee.Retrieve()
dw_employee.ShareData(dw_dept)
```

These statements share data between two DataWindow controls in different sheets within an MDI frame window:

```
CONNECT USING SQLCA;
mdi_sheet_1.dw_dept.SetTransObject(SQLCA)
mdi_sheet_1.dw_dept.Retrieve()
mdi_sheet_1.dw_dept.ShareData(mdi_sheet_2.dw_dept)
```

This example shares data in a tabular DataWindow with a report in a Composite DataWindow. The name of the report in the Composite DataWindow is `dw_1`:

```
DataWindowChild dwreport
// Get a reference to the nested report
dw_composite.GetChild("dw_1", dwreport)
dw_tabular.ShareData(dwreport)
```

See also

[ShareDataOff](#)

9.203 ShareDataOff

Description

Turns off the sharing of data buffers for a DataWindow control or DataStore.

Applies to

Table 9.433:

DataWindow type	Method applies to
PowerBuilder	DataWindow control, DataWindowChild object, DataStore object

Syntax

PowerBuilder

```
integer dwcontrol.ShareDataOff ( )
```

Table 9.434:

Argument	Description
dwcontrol	A reference to a DataWindow control, DataStore, or child DataWindow

Return value

Returns 1 if it succeeds and -1 if an error occurs. If dwcontrol is null, ShareDataOff returns null.

Usage

Two or more DataWindow controls (or DataStores) can share data. See [ShareData](#) for more information about shared data buffers and primary and secondary DataWindows.

When you call ShareDataOff for a secondary DataWindow, that control no longer contains data, but the primary DataWindow and other secondary controls are not affected. When you call ShareDataOff for the primary DataWindow, all secondary DataWindows are disconnected and no longer contain data.

Examples

These statements establish the sharing of data among three DataWindow controls and then turn off sharing for one of the secondary DataWindow controls:

```
CONNECT USING SQLCA;
dw_corp.SetTransObject(SQLCA)
dw_corp.Retrieve()
dw_corp.ShareData(dw_emp)
dw_corp.ShareData(dw_dept)
... // Some processing
dw_emp.ShareDataOff()
```

See also

[ShareData](#)

9.204 Show**Description**

Makes an object or control visible, if it is hidden. If the object is already visible, Show brings it to the top.

Applies to**Table 9.435:**

DataWindow type	Method applies to
PowerBuilder	DataWindow control

Syntax

PowerBuilder

```
integer objectname.Show ( )
```

Table 9.436:

Argument	Description
objectname	The name of the object or control you want to make visible (show)

Return value

Returns 1 if it succeeds and -1 if an error occurs. If objectname is null, Show returns null.

Usage

PowerBuilder environment

Inherited from GraphicObject. For more details on use with PowerBuilder objects, see Section 2.4.798, “Show” in *PowerScript Reference*.

See also

[Hide](#)

9.205 ShowHeadFoot

Description

Displays the panels for editing the header and footer in a RichTextEdit control or hides the panels and returns to editing the main text.

Applies to

Table 9.437:

DataWindow type	Method applies to
PowerBuilder	DataWindow control with RichTextEdit presentation style

Syntax

PowerBuilder

```
integer rtename.ShowHeadFoot ( boolean editheadfoot {, headerfooter} )
```

Table 9.438:

Argument	Description
rtename	A reference to the DataWindow control for which you want to edit header and footer information. The DataWindow must have a RichTextEdit presentation style.
editheadfoot	A boolean value specifying the editing panel to display. Values are: <ul style="list-style-type: none"> • True -- Display the header and footer editing panels. • False -- Display the detail editing panel for the document body.
headerfooter (optional)	A boolean value specifying whether the insertion point (caret) for editing the header/footer panel is in the header or the footer section. Values are: <ul style="list-style-type: none"> • True Caret is in the header section. • False Caret is in the footer section.

Return value

Returns 1 if it succeeds and -1 if an error occurs.

Usage

ShowHeadFoot takes effect when the control is in preview mode or when it is in edit mode for the main text. If the control is in preview mode, calling ShowHeadFoot returns to edit mode. The value of editheadfoot determines whether the main text or the header and footer panels display.

The headerfooter argument is ignored if the editheadfoot argument is false. The headerfooter argument defaults to "true" if a value is not provided. The header and footer can include input fields for page numbers and dates.

PowerBuilder RichTextEdit control

You can use the same syntax with any RichTextEdit control. See Section 2.4.799, "ShowHeadFoot" in *PowerScript Reference*.

See also

Preview for RichTextEdit controls in Section 2.4.578, "Preview" in *PowerScript Reference*

9.206 Sort**Description**

Sorts the rows in a DataWindow control or DataStore using the DataWindow's current sort criteria.

Applies to**Table 9.439:**

DataWindow type	Method applies to
PowerBuilder	DataWindow control, DataWindowChild object, DataStore object

Syntax

PowerBuilder

```
integer dwcontrol.Sort ( )
```

Table 9.440:

Argument	Description
dwcontrol	A reference to a DataWindow control, DataStore, or child DataWindow

Return value

Returns 1 if it succeeds and -1 if an error occurs. If dwcontrol is null, Sort returns null.

Usage

Sort uses the current sort criteria for the DataWindow. To change the sort criteria, use the SetSort method. The SetSort method is equivalent to using the Sort command on the Rows menu of the DataWindow painter. If you do not call SetSort to set the sort criteria before you call Sort, Sort uses the sort criteria specified in the DataWindow object definition.

When the Retrieve method retrieves data for the DataWindow, PowerBuilder applies the sort criteria that were defined for the DataWindow object, if any. You need to call Sort only after you change the sort criteria with SetSort or if the data has changed because of processing or user input.

For information on letting the user specify sort criteria using the built-in dialog box, see [SetSort](#).

When you sort a DataWindow on a specified column, rows with null data remain at the top, regardless of whether you choose ascending or descending order for your sort criteria. The sort order is performed on a result set returned from a database, but is not necessarily the same sort order used by the database (to return the result set) when an ORDER BY clause is used in a SQL query.

The Sort method uses a typical lexical sort, with symbols, such as a hyphen or underline, ranked higher than alphanumeric characters. It compares characters in the same manner as does a dictionary.

When the Retrieve As Needed option is set, the Sort method cancels its effect. Sort causes all rows to be retrieved so that they are sorted correctly. It also changes the current row to 1 without causing the RowFocusChanged or RowFocusChanging events to fire. These events should be triggered programmatically after the Sort method is called.

Sort has no effect on the DataWindows in a composite report.

Sorting and groups

To sort a DataWindow object with groups or TreeView levels, call GroupCalc after you call Sort.

PowerBuilder environment

For use with PowerBuilder ListView and TreeView controls, see Section 2.4.806, “Sort” in *PowerScript Reference*.

Examples

This example sets dw_employee to be sorted by column 1 ascending and then by column 2 descending. Then it sorts the rows:

```
dw_employee.SetRedraw(false)
dw_employee.SetSort("#1 A, #2 D")
dw_employee.Sort()
dw_employee.SetRedraw(true)
```

In this example, the rows in the DataWindow dw_depts are grouped based on department and the rows are sorted based on employee name. If the user has changed the department of several employees, then the following commands apply the sort criteria so that each group is in alphabetical order and then regroup the rows:

```
dw_depts.SetRedraw(false)
```

```
dw_depts.Sort()
dw_depts.GroupCalc()
dw_depts.SetRedraw(true)
```

See also[GroupCalc](#)[SetSort](#)

9.207 TextLine

Description

Obtains the text of the line that contains the insertion point. TextLine works for controls that can contain multiple lines.

Applies to**Table 9.441:**

DataWindow type	Method applies to
PowerBuilder	DataWindow control

Syntax

PowerBuilder

```
string editname.TextLine ( )
```

Table 9.442:

Argument	Description
editname	A reference to a DataWindow control

Return value

Returns the text on the line with the insertion point in editname. If an error occurs, TextLine returns the empty string (""). If editname is null, TextLine returns null.

Usage

TextLine reports information about the edit control over the current row and column.

PowerBuilder environment

For use with other PowerBuilder controls, see Section 2.4.832, “TextLine” in *PowerScript Reference*.

Examples

In the DataWindow control dw_letter, if the insertion point is on line 4 in the edit control and the text on the line is North Carolina, then this example sets linetext to North Carolina:

```
string linetext
linetext = dw_letter.TextLine()
```

See also

[SelectTextLine](#)

9.208 TriggerEvent

Description

Triggers an event associated with the specified object, which executes the script for that event immediately.

Applies to

Table 9.443:

DataWindow type	Method applies to
PowerBuilder	DataWindow control, DataWindowChild object, DataStore object

Syntax

PowerBuilder

```
integer objectname.TriggerEvent ( trigevent event { , long word, long long } )
integer objectname.TriggerEvent ( trigevent event { , long word, string long } )
```

Table 9.444:

Argument	Description
objectname	The name of any PowerBuilder object or control that has events associated with it.
event	A value of the TrigEvent enumerated datatype that identifies a PowerBuilder event (for example, Clicked!, Modified!, or DoubleClicked!) or a string whose value is the name of an event. The event must be a valid event for objectname and a script must exist for the event in objectname.
word (optional)	A value to be stored in the WordParm property of the system's Message object. If you want to specify a value for long, but not word, enter 0. (For cross-platform compatibility, WordParm and LongParm are both longs.)
long (optional)	A value or a string that you want to store in the LongParm property of the system's Message object. When you specify a string, a pointer to the string is stored in the LongParm property, which you can access with the String function (see Usage).

Return value

Returns 1 if it is successful and the event script runs and -1 if the event is not a valid event for objectname, or no script exists for the event in objectname. If any argument's value is null, TriggerEvent returns null.

Usage

Inherited from PowerObject. For information, see Section 2.4.850, “TriggerEvent” in *PowerScript Reference*.

See also

Post in Section 2.4.572, “Post” in *PowerScript Reference*

PostEvent in Section 2.4.576, “PostEvent” in *PowerScript Reference*

Send in Section 2.4.690, “Send” in *PowerScript Reference*

9.209 TypeOf

Description

Determines the type of an object or control, reported as a value of the Object enumerated datatype.

Applies to

Table 9.445:

DataWindow type	Method applies to
PowerBuilder	DataWindow control, DataWindowChild object, DataStore object

Syntax

PowerBuilder

```
object objectname.TypeOf ( )
```

Table 9.446:

Argument	Description
objectname	The name of the object or control for which you want the type

Return value

Object enumerated datatype. Returns the type of objectname. If objectname is null, TypeOf returns null.

Usage

Inherited from PowerObject. For information, see Section 2.4.856, “TypeOf” in *PowerScript Reference*.

See also

[ClassName](#)

9.210 Undo

Description

Cancels the last edit in an edit control, restoring the text to the content before the last change.

Applies to

Table 9.447:

DataWindow type	Method applies to
PowerBuilder	DataWindow control

Syntax

PowerBuilder

```
integer editname.Undo ( )
```

Table 9.448:

Argument	Description
editname	A reference to a DataWindow control. Reverses the last edit in the edit control over the current row and column.

Return value

Returns 1 when it succeeds and -1 if an error occurs. If editname is null, Undo returns null.

Usage

To determine whether the last action can be canceled, call the CanUndo method.

PowerBuilder environment

For examples and for use with other PowerBuilder controls, see Section 2.4.858, “Undo” in *PowerScript Reference*.

See also

[CanUndo](#)

9.211 Update**Description**

Updates the database with the changes made in a DataWindow control or DataStore. Update can also call AcceptText for the current row and column before it updates the database.

Applies to**Table 9.449:**

DataWindow type	Method applies to
PowerBuilder	DataWindow control, DataWindowChild object, DataStore object

Syntax

PowerBuilder

```
integer dwcontrol.Update ( { boolean accept {, boolean resetflag } } )
```

Table 9.450:

Argument	Description
dwcontrol	A reference to a DataWindow control, DataStore, or child DataWindow.

Argument	Description
accept (optional)	<p>A boolean value specifying whether the DataWindow control or DataStore should automatically perform an AcceptText prior to performing the update:</p> <ul style="list-style-type: none"> • True -- (Default) Perform AcceptText. The update is canceled if the data fails validation. • False -- Do not perform AcceptText.
resetflag (optional)	<p>A boolean value specifying whether dwcontrol should automatically reset the update flags:</p> <ul style="list-style-type: none"> • True -- (Default) Reset the flags. • False -- Do not reset the flags.

Return value

Returns 1 if it succeeds and -1 if an error occurs. If any argument's value is null, Update returns null. If there is no DataWindow object assigned to the DataWindow control or DataStore, this method returns 1.

Usage

In PowerBuilder, you must use the SetTrans or the SetTransObject method to specify the database connection before the Update method will execute. When you use SetTransObject, the more efficient of the two, you must do your own transaction management, which includes issuing the SQL COMMIT or ROLLBACK statement to finalize the update.

Test success/failure code

It is good practice to test the success/failure code after calling Update. You can also verify the number of rows inserted, updated, and deleted by a DataWindow update by examining the values of the arguments of the UpdateEnd event.

By default, Update resets the update flags after successfully completing the update. However, you can prevent the flags from being reset until you perform other validations and commit the changes. When you are satisfied with the update, call ResetUpdate to clear the flags so that items are no longer marked as modified.

Use SetTransObject when resetflag is False

You would typically use SetTransObject, not SetTrans, to specify the transaction object for the DataWindow control or DataStore when you plan to update with the resetflag argument set to false. Only SetTransObject allows you to control when changes are committed.

If you want to update several tables in one DataWindow control or DataStore, you can use Modify to change the Update property of columns in each table. To preserve the status flags of the rows and columns, set the resetflag argument to false. Because the updates all occur in the same DataWindow control or DataStore, you cannot allow the flags to be cleared until all

the tables have used them. When all the updates are successfully completed and committed, you can call `ResetUpdate` to clear the changed flags in the `DataWindow`. For an example of this technique, see [Modify](#).

If you are updating multiple `DataWindow` controls or `DataStores` as part of one transaction, set the `resetflag` argument to `false`. This will prevent the `DataWindow` from "forgetting" which rows to update in case one of the updates fails. You can roll back, try to correct the situation, and update again. Once all of the `DataWindows` have been updated successfully, use `COMMIT` to finalize the transaction and use `ResetUpdate` to reset the `DataWindow`'s status flags.

If you call `Update` with the `resetflag` argument set to `false` and do not call `ResetUpdate`, the `DataWindow` will attempt to issue the same SQL statements again the next time you call `Update`.

Caution

If you call `Update` in an `ItemChanged` event, be sure to set the `accept` argument to `false` to avoid an endless loop and a stack fault. Because `AcceptText` triggers an `ItemChanged` event, you cannot call it in that event (see [AcceptText](#)).

If you call `Update` in the `ItemChanged` event, then the item's old value is updated in the database, not the newly entered value. The newly entered value in the edit control is still being validated and does not become the item value until the `ItemChanged` event is successfully completed. If you want to include the new value in an update in the `ItemChanged` event, use the appropriate `SetItem` method first.

Apply `GetChanges` after deleting rows in a distributed application

If a `DataWindow` or data store is populated using `SetChanges` or `SetFullState`, and an `Update` is done that includes deleted rows, the deleted rows remain in the delete buffer until a subsequent `GetChanges` is applied to the `DataWindow` or data store.

Events

`Update` can trigger these events:

- `DBError`
- `SQLPreview`
- `UpdateEnd`
- `UpdateStart`

If `AcceptText` is performed, it can trigger these events:

- `ItemChanged`
- `ItemError`

Examples

This example connects to the database, specifies a transaction object for the `DataWindow` control with `SetTransObject`, and then updates the database with the changes made in `dw_employee`. By default, `AcceptText` is performed on the data in the edit control for the current row and column and the status flags are reset:

```
CONNECT USING SQLCA;
```

```
dw_employee.SetTransObject(SQLCA)
... // Some processing
dw_employee.Update()
```

This example connects to the database, specifies a transaction object for the DataWindow control with `SetTransObject`, and then updates the database with the changes made in `dw_employee`. The update resets the status flags but does not perform `AcceptText` before updating the database:

```
CONNECT USING SQLCA;
dw_employee.SetTransObject(SQLCA)
... // Some processing
dw_Employee.Update(false, true)
```

As before, this example connects to the database, specifies a transaction object for the DataWindow control with `SetTransObject`, and then updates the database with the changes made in `dw_employee`. After `Update` is executed, the example checks the return code and, depending on the success of the update, executes a `COMMIT` or `ROLLBACK`:

```
integer rtn

CONNECT USING SQLCA;
dw_employee.SetTransObject(SQLCA)
rtn = dw_employee.Update()

IF rtn = 1 THEN
    COMMIT USING SQLCA;
ELSE
    ROLLBACK USING SQLCA;
END IF
```

See also

[AcceptText](#)

[Modify](#)

[ResetUpdate](#)

[Print](#)

[SaveAs](#)

[SetTrans](#)

[SetTransObject](#)

10 Methods for Graphs in the DataWindow Control

About this chapter

This chapter documents the methods that you can use to manipulate DataWindow graphs in the PowerBuilder and Web environments. You will find syntax, notes, and examples for both environments.

Other methods for DataWindows and DataStores are in a separate chapter.

Contents

The graph methods are in alphabetical order.

10.1 CategoryCount

Description

Counts the number of categories on the category axis of a graph.

Applies to

PowerBuilder DataWindow

DataWindow control

Syntax

PowerBuilder

```
integer dwcontrol.CategoryCount ( string graphcontrol )
```

Table 10.1:

Argument	Description
dwcontrol	A reference to a DataWindow control containing the graph
graphcontrol	A string whose value is the name of the graph in the DataWindow for which you want the number of categories

Return value

Returns the count if it succeeds and -1 if an error occurs. If any argument's value is null, CategoryCount returns null.

Examples

These statements get the number of categories in the graph gr_revenues in the DataWindow control dw_findata:

```
integer li_count
li_count = &
    dw_findata.CategoryCount ("gr_revenues")
```

See also

[DataCount](#)

[SeriesCount](#)

10.2 CategoryName

Description

Obtains the category name associated with the specified category number.

Applies to

PowerBuilder DataWindow

DataWindow control

Syntax

PowerBuilder

```
string dwcontrol.CategoryName ( string graphcontrol, integer categorynumber )
```

Table 10.2:

Argument	Description
dwcontrol	A reference to the DataWindow control containing the graph
graphcontrol	A string whose value is the name of the graph in the DataWindow for which you want the name of a specific category
categorynumber	The number of the category for which you want the name

Return value

Returns the name of categorynumber in the graph named in graphcontrol. If an error occurs, it returns the empty string (""). If any argument's value is null, CategoryName returns null.

Usage

Categories are numbered consecutively, from 1 to the value returned by CategoryCount. When you delete a category, the categories are renumbered to keep the numbering consecutive. You can use CategoryName to find out the named category associated with a category number.

Examples

These statements obtain the name of category 5 in the graph gr_revenues in the DataWindow control dw_findata:

```
string ls_name
ls_name = &
    dw_findata.CategoryName("gr_revenues", 5)
```

See also

[CategoryCount](#)

[SeriesName](#)

10.3 Clipboard

Description

Replaces the contents of the system clipboard with a bitmap image of a graph. You can paste the image into other applications.

Applies to

PowerBuilder DataWindow

DataWindow control

Syntax

PowerBuilder

```
integer dwcontrol.Clipboard ( string graphcontrol )
```

Table 10.3:

Argument	Description
dwcontrol	A reference to the DataWindow control containing the graph
graphcontrol	A string whose value is the name of the graph in the DataWindow object

Return value

Returns 1 if it succeeds and -1 if an error occurs. If any argument's value is null, Clipboard returns null.

Examples

This statement copies the graph gr_employees in the DataWindow control dw_emp_data to the clipboard:

```
dw_emp_data.Clipboard("gr_employees")
```

See also

Clipboard in the Section 2.4.75, "Clipboard" in *PowerScript Reference*

[Copy](#)

10.4 DataCount**Description**

Reports the number of data points in the specified series in a graph.

Applies to

PowerBuilder DataWindow

DataWindow control

Syntax

PowerBuilder

```
long dwcontrol.DataCount ( string graphcontrol, string seriesname )
```

Table 10.4:

Argument	Description
dwcontrol	A reference to the DataWindow control containing the graph

Argument	Description
graphcontrol	The name of the graph in the DataWindow control
seriesname	A string whose value is the name of the series for which you want the number of data points

Return value

Returns the number of data points in the specified series if it succeeds and -1 if an error occurs. If any argument's value is null, DataCount returns null.

Examples

These statements store in ll_count the number of data points in the series named Salary in the graph gr_dept in the DataWindow control dw_employees:

```
long ll_count
ll_count = &
    dw_employees.DataCount("gr_dept", "Salary")
```

See also

[SeriesCount](#)

10.5 FindCategory**Description**

Obtains the number of a category in a graph when you know the category's label. The category values label the category axis.

Applies to

PowerBuilder DataWindow

DataWindow control

Syntax

PowerBuilder

```
integer dwcontrol.FindCategory ( string graphcontrol, date categoryvalue )
integer dwcontrol.FindCategory ( string graphcontrol, datetime categoryvalue )
integer dwcontrol.FindCategory ( string graphcontrol, double categoryvalue )
integer dwcontrol.FindCategory ( string graphcontrol, string categoryvalue )
integer dwcontrol.FindCategory ( string graphcontrol, time categoryvalue )
```

Table 10.5:

Argument	Description
dwcontrol	A reference to the DataWindow control containing the graph.
graphcontrol	A string whose value is the name of the graph in the DataWindow control.
categoryvalue	A value that is the category for which you want the number. The value you specify must be the same datatype as the datatype of the category axis.

Return value

Returns the number of the category named in categoryvalue in the graph. If an error occurs, FindCategory returns -1. If any argument's value is null, FindCategory returns null.

Usage

Most of the category manipulation functions require a category number, rather than a name. However, when you delete and insert categories, existing categories are renumbered to keep the numbering consecutive. Use FindCategory when you know only a category's label or when the numbering might have changed.

Examples

These statements obtain the number of the category named Qty in the graph gr_computers in the DataWindow control dw_equipment:

```
integer CategoryNbr
CategoryNbr = &
    dw_equipment.FindCategory("gr_computers", "Qty")
```

See also

[FindSeries](#)

10.6 FindSeries

Description

Obtains the number of a series in a graph when you know the series' name.

Applies to

PowerBuilder DataWindow

DataWindow control

Syntax

PowerBuilder

```
integer dwcontrol.FindSeries ( string graphcontrol, string seriesname )
```

Table 10.6:

Argument	Description
dwcontrol	A reference to the DataWindow control containing the graph
graphcontrol	A string whose value is the name of the graph in the DataWindow control
seriesname	A string whose value is the name of the series for which you want the number

Return value

Returns the number of the series named in seriesname in the graph. If an error occurs, FindSeries returns -1. If any argument's value is null, FindSeries returns null.

Usage

Most of the series manipulation functions require a series number, rather than a name. Use FindSeries when you know only a series' name or when the numbering might have changed.

Examples

These statements obtain the number of the series named PCs in the graph gr_computers in the DataWindow control dw_equipment and store it in SeriesNbr:

```
integer SeriesNbr
SeriesNbr = &
    dw_equipment.FindSeries("gr_computers", "PCs")
```

See also

[FindCategory](#)

10.7 GetData

Description

Gets the value of a data point in a series in a graph when the values axis has numeric values.

Applies to

PowerBuilder DataWindow

DataWindow control

Syntax

PowerBuilder

```
double dwcontrol.GetData ( string graphcontrol, integer seriesnumber, long
    datapoint {, grDataType datatype } )
```

Table 10.7:

Argument	Description
dwcontrol	A reference to the DataWindow control containing the graph.
graphcontrol	A string whose value is the name of the graph in the DataWindow control.
seriesnumber	The number that identifies the series from which you want data.
datapoint	The number of the data point for which you want the value.
datatype (scatter graph only) (optional)	<p>A value of the grDataType enumerated datatype (in PowerBuilder) specifying whether you want the x or y value of the data point in a scatter graph.</p> <p>Values are:</p> <ul style="list-style-type: none"> xValue! -- The x value of the data point. yValue! -- (Default) The y value of the data point. <p>For more information, see grDataType.</p>

Return value

Returns the value of the data in datapoint if it succeeds, 0 if the series does not exist, and -1 if an error occurs. If any argument's value is null, GetData returns null.

Usage

You can use `GetData` only for graphs whose values axis is numeric. For graphs with other types of values axes, use the `GetDataValue` method instead.

Examples

These statements obtain the data value of data point 3 in the series named `Costs` in the graph `gr_computers` in the `DataWindow` control `dw_equipment`:

```
integer SeriesNbr
double data_value

// Get the number of the series.
SeriesNbr = &
    dw_equipment.FindSeries("gr_computers", "Costs")
data_value = dw_equipment.GetData( &
    "gr_computers" , SeriesNbr, 3)
```

These statements obtain the x value of the data point in the scatter graph `gr_sales_yr` in the `DataWindow` `dw_sales` and store it in `data_value`:

```
integer SeriesNbr, ItemNbr
double data_value

dw_sales.ObjectAtPointer("gr_sales_yr", SeriesNbr, &
    ItemNbr)
data_value = dw_sales.GetData("gr_sales_yr", &
    SeriesNbr, ItemNbr, xValue!)
```

See also

[FindSeries](#)

[GetDataValue](#)

[ObjectAtPointer](#)

10.8 GetDataDateVariable

Description

Returns the value associated with a data point in a graph in a `DataWindow` object when the values axis has the date datatype. You must call `GetDataDate` first to retrieve the line style information. (`GetDataDate` is based on `GetDataValue` and is documented in that entry.)

Obsolete method

`GetDataDateVariable` is obsolete and should not be used, because the `DataWindow Web Control` for ActiveX technology is obsolete. An obsolete feature is no longer eligible for technical support and will no longer be enhanced, although it is still available.

Applies to

`DataWindow Web ActiveX`

`DataWindow control`

Syntax

Web ActiveX

```
Date dwcontrol.GetDataDateVariable ( )
```

Table 10.8:

Argument	Description
dwcontrol	A reference to a DataWindow control containing the graph

Return value

Returns a date value associated with a data point in a graph.

Usage

To find out the value of a data point, call one of the GetData methods to retrieve the information, then immediately afterward, call one of the GetDataVariable methods and examine the return value.

Table 10.9:

For a values axis of type	Call this method to set up the value	Then call this method to return the value
Date, DateTime, or time	GetDataDate	GetDataDateVariable
Number or double	GetDataNumber	GetDataNumberVariable
String	GetDataString	GetDataStringVariable

For information on the GetData methods, see [GetDataValue](#).

See also

[GetDataValue](#)

10.9 GetDataLabelling**Description**

Determines whether the data at a given data point is labeled in a DirectX 3D graph.

Applies to

DataWindow control

Syntax

```
integer dwcontrol.GetDataLabelling (string graphcontrol, string series, int datapoint, REF boolean value)
```

Table 10.10:

Argument	Description
dwcontrol	A reference to the DataWindow control containing the graph.
graphcontrol	A string whose value is the name of the graph in the DataWindow control.

Argument	Description
series	The string that identifies the series in which you want the data labelling value.
datapoint	The data point for which you want to obtain a label.
value	Boolean passed by reference to indicate whether the data point has a label.

Return value

Returns 1 if it succeeds and -1 if an error occurs. If any argument's value is null, GetDataLabelling returns null.

Usage

GetDataLabelling determines whether a data label is set for data points from DirectX 3D Area, Bar, Col, or Line graphs. You cannot use this method with DirectX 3D Pie graphs.

Examples

In a DataWindow Clicked event, these statements obtain the number of the series and data point clicked by the user and determine whether the label is set for that data point.

```
integer SeriesNbr, ItemNbr
boolean refB
grObjectType clickedtype

// Get the number of the series and data point
clickedtype = this.ObjectAtPointer("gr_1", &
    SeriesNbr, ItemNbr)

// Get data label
this.GetDataLabelling("gr_1", SeriesNbr, &
    ItemNbr, refB)
```

See also

[GetSeriesLabelling](#)

[SetDataLabelling](#)

[SetSeriesLabelling](#)

10.10 GetDataNumberVariable

Description

Returns the value associated with a data point in a graph in a DataWindow object when the values axis has a numeric datatype. You must call GetDataNumber first to retrieve the line style information. (GetDataNumber is based on GetDataValue and is documented in that entry.)

Obsolete method

GetDataNumberVariable is obsolete and should not be used, because the DataWindow Web Control for ActiveX technology is obsolete.

Applies to

DataWindow Web ActiveX

DataWindow control

Syntax

Web ActiveX

```
number dwcontrol.GetDataNumberVariable ( )
```

Table 10.11:

Argument	Description
dwcontrol	A reference to a DataWindow control containing the graph

Return value

Returns a number value associated with a data point in a graph.

Usage

To find out the value of a data point, call one of the GetData methods to retrieve the information, then immediately afterward, call one of the GetDataVariable methods and examine the return value.

Table 10.12:

For a values axis of type	Call this method to set up the value	Then call this method to return the value
Date, DateTime, or time	GetDataDate	GetDataDateVariable
Number or double	GetDataNumber	GetDataNumberVariable
String	GetDataString	GetDataStringVariable

For information on the GetData methods, see [GetDataValue](#).

See also

[GetDataValue](#)

10.11 GetDataPieExplode**Description**

Reports the percentage of the pie graph's radius that a pie slice is moved away from the center of the pie graph. An exploded slice is moved away from the center of the pie in order to draw attention to the data.

Applies to

PowerBuilder DataWindow

DataWindow control

Syntax

PowerBuilder

```
integer dwcontrol.GetDataPieExplode ( string graphcontrol, integer series, integer
datapoint, REF integer percentage )
```

Table 10.13:

Argument	Description
dwcontrol	A reference to the DataWindow control containing the graph
graphcontrol	A string whose value is the name of the graph in the DataWindow control
series	The number that identifies the series
datapoint	The number of the exploded data point (that is, the pie slice)
percentage	An integer variable in which you want to store the percentage that the pie slice is exploded

Return value

Returns 1 if it succeeds and -1 if an error occurs. If any argument's value is null, GetDataPieExplode returns null.

Examples

This example reports the percentage that a pie slice is exploded when the user clicks on that slice. The code checks whether the graph is a pie graph using the property GraphType. It then finds out whether the user clicked on a pie slice by checking the series and data point values set by ObjectAtPointer. The script is for the DoubleClicked event of a graph control:

```
integer series, datapoint
grObjectType clickedtype
integer percentage

percentage = 50
IF (This.GraphType <> PieGraph! and &
    This.GraphType <> Pie3D!) THEN RETURN
clickedtype = This.ObjectAtPointer(series, &
    datapoint)

IF (series > 0 and datapoint > 0) THEN
    This.GetDataPieExplode("gr_sales_yr", series, &
        datapoint, percentage)
    MessageBox("Explosion Percentage", &
        "Data point " + This.CategoryName(datapoint) &
        + " in series " + This.SeriesName(series) &
        + " is exploded " + String(percentage) + "%")
END IF
```

See also

[GetDataPieExplodePercentage](#)

[SetDataPieExplode](#)

10.12 GetDataPieExplodePercentage**Description**

Returns the percentage value that a slice is exploded in a pie graph in a DataWindow object. You must call `GetDataPieExplode` first to retrieve the information and then call this method to get the value.

Obsolete method

`GetDataPieExplodePercentage` is obsolete and should not be used, because the DataWindow Web Control for ActiveX technology is obsolete.

Applies to

DataWindow Web ActiveX

DataWindow control

Syntax

Web ActiveX

```
number dwcontrol.GetDataPieExplodePercentage ( )
```

Table 10.14:

Argument	Description
dwcontrol	A reference to a DataWindow control containing the graph

Return value

Returns a number specifying how much the pie slice is exploded.

Usage

To find out the percentage of the pie graphs's radius that a pie slice is moved away from the center of the pie graph, call `GetDataPieExplode` to retrieve the information, then immediately afterward, call `GetDataPieExplodePercentage` and examine the return value.

See also

[GetDataPieExplode](#)

[SetDataPieExplode](#)

10.13 GetDataStringValue

Description

Returns the value associated with a data point in a graph in a DataWindow object when the values axis has the string datatype. You must call `GetDataString` first to retrieve the line style information. (`GetDataString` is based on [GetDataValue](#) and is documented in that entry.)

Obsolete method

`GetDataStringValue` is obsolete and should not be used, because the DataWindow Web Control for ActiveX technology is obsolete.

Applies to

DataWindow Web ActiveX

DataWindow control

Syntax

Web ActiveX

```
string dwcontrol.GetDataStringVariable ( )
```

Table 10.15:

Argument	Description
dwcontrol	A reference to a DataWindow control containing the graph

Return value

String. Returns a string value associated with a data point in a graph.

Usage

To find out the value of a data point, call one of the `GetData` methods to retrieve the information, then immediately afterward, call one of the `GetDataVariable` methods and examine the return value.

Table 10.16:

For a values axis of type	Call this method to set up the value	Then call this method to return the value
Date, DateTime, or time	<code>GetDataDate</code>	<code>GetDataDateVariable</code>
Number or double	<code>GetDataNumber</code>	<code>GetDataNumberVariable</code>
String	<code>GetDataString</code>	<code>GetDataStringVariable</code>

For information on the `GetData` methods, see [GetDataValue](#).

See also

[GetDataValue](#)

10.14 GetDataStyle

Finds out the appearance of a data point in a graph. Each data point in a series can have individual appearance settings. There are different syntaxes, depending on what settings you want to check.

Table 10.17:

To get the	Use
Data point's colors (called <code>GetDataStyleColor</code> in JavaScript)	Syntax 1
Line style and width used by the data point (called <code>GetDataStyleLine</code> in JavaScript)	Syntax 2
Fill pattern for the data point (called <code>GetDataStyleFill</code> in JavaScript)	Syntax 3
Symbol for the data point (called <code>GetDataStyleSymbol</code> in JavaScript)	Syntax 4

GetDataStyle provides information about a single data point. The series to which the data point belongs has its own style settings. In general, the style values for the data point are the same as its series' settings. Use SetDataStyle to change the style values for individual data points. Use GetSeriesStyle and SetSeriesStyle to get and set style information for the series.

The graph stores style information for properties that do not apply to the current graph type. For example, you can find out the fill pattern for a data point or a series in a 2-dimensional line graph, but that fill pattern will not be visible.

10.14.1 Syntax 1 For the colors of a data point

Description

Obtains the colors associated with a data point in a graph.

Applies to

PowerBuilder DataWindow

DataWindow control

Syntax

PowerBuilder

```
integer dwcontrol.GetDataStyle ( string graphcontrol, integer seriesnumber, integer
datapointnumber, grColorType colortype, REF long colorvariable )
```

Table 10.18:

Argument	Description
dwcontrol	A reference to the DataWindow control containing the graph.
graphcontrol	A string whose value is the name of the graph in the DataWindow control.
seriesnumber	The number of the series in which you want the color of a data point.
datapointnumber	The number of the data point for which you want the color.
colortype	A value of the grColorType enumerated datatype (in PowerBuilder) or an integer (in JavaScript) specifying the aspect of the data point for which you want the color. For a list of values, see grColorType .
colorvariable	In PowerBuilder, a long variable in which you want to store the color.

Return value

Returns 1 if it succeeds and -1 if an error occurs. In PowerBuilder, GetDataStyle stores an RGB color value in colorvariable. If any argument's value is null, GetDataStyle returns null.

Examples

This example gets the background color used for data point 6 in the series entered in the SingleLineEdit sle_series in the DataWindow graph gr_emp_data. It stores the color value in the variable color_nbr:

```
long color_nbr
integer SeriesNbr

// Get the number of the series
```

```
SeriesNbr = &
    FindSeries("gr_emp_data", sle_series.Text)

// Get the color
dw_emp_data.GetDataStyle("gr_emp_data", &
    SeriesNbr, 6, Background!, color_nbr)
```

See also[FindSeries](#)[GetSeriesStyle](#)[SetDataStyle](#)[SetSeriesStyle](#)**10.14.2 Syntax 2 For the line style and width used by a data point****Description**

Obtains the line style and width for a data point in a graph.

Applies to

PowerBuilder DataWindow

DataWindow control

Syntax

PowerBuilder

```
integer dwcontrol.GetDataStyle ( string graphcontrol, integer seriesnumber, integer
datapointnumber, REF LineStyle linestyle, REF integer linewidth )
```

Table 10.19:

Argument	Description
dwcontrol	A reference to the DataWindow control containing the graph.
graphcontrol	A string whose value is the name of the graph in the DataWindow control.
seriesnumber	The number of the series in which you want the line style and width of a data point.
datapointnumber	The number of the data point for which you want the line style and width.
linestyle	In PowerBuilder, a variable of type LineStyle in which you want to store the line style. For a list of line style values, see LineStyle .
linewidth	In PowerBuilder, an integer variable in which you want to store the width of the line. The width is measured in pixels.

Return value

Returns 1 if it succeeds and -1 if an error occurs. In PowerBuilder, for the specified series and data point, GetDataStyle stores its line style in linestyle and the line's width in linewidth. If any argument's value is null, GetDataStyle returns null.

Examples

This example gets the line style and width for data point 6 in the series entered in the SingleLineEdit sle_series in the graph gr_depts in the DataWindow control dw_employees. The information is stored in the variables line_style and line_width:

```
integer SeriesNbr, line_width
LineStyle line_style

// Get the number of the series
SeriesNbr = dw_employees.FindSeries( &
    "gr_depts", sle_series.Text)

// Get the line style and width
dw_employees.GetDataStyle("gr_depts", SeriesNbr, &
    6, line_style, line_width)
```

See also

[FindSeries](#)

[GetDataStyleLineStyle](#)

[GetDataStyleLineWidth](#)

[GetSeriesStyle](#)

[SetDataStyle](#)

[SetSeriesStyle](#)

10.14.3 Syntax 3 For the fill pattern of a data point

Description

Obtains the fill pattern of a data point in a graph.

Applies to

PowerBuilder DataWindow

DataWindow control

Syntax

PowerBuilder

```
integer dwcontrol.GetDataStyle ( string graphcontrol, integer seriesnumber, integer
    datapointnumber, REF FillPattern fillvariable )
```

Table 10.20:

Argument	Description
dwcontrol	A reference to the DataWindow control containing the graph.
graphcontrol	A string whose value is the name of the graph in the DataWindow control.
seriesnumber	The number of the series in which you want the fill pattern of a data point.
datapointnumber	The number of the data point for which you want the fill pattern.
fillvariable	In PowerBuilder, a variable of type FillPattern in which you want to store the fill pattern value. For a list of values, see FillPattern .

Return value

Returns 1 if it succeeds and -1 if an error occurs. In PowerBuilder, GetDataStyle stores a value of the FillPattern enumerated datatype representing the fill pattern used for the specified data point. If any argument's value is null, GetDataStyle returns null.

Examples

This example gets the pattern used to fill data point 6 in the series entered in the SingleLineEdit sle_series in the graph gr_depts in the DataWindow control dw_employees. The information is assigned to the variable data_pattern:

```
integer SeriesNbr
FillPattern data_pattern

// Get the number of the series
SeriesNbr = dw_employees.FindSeries("gr_depts", &
    sle_series.Text)

// Get the pattern
dw_employees.GetDataStyle("gr_depts", SeriesNbr, &
    6, data_pattern)
```

See also

[FindSeries](#)

[GetDataStyleFillPattern](#)

[GetSeriesStyle](#)

[SetDataStyle](#)

[SetSeriesStyle](#)

10.14.4 Syntax 4 For the symbol of a data point**Description**

Obtains the symbol of a data point in a graph.

Applies to

PowerBuilder DataWindow

DataWindow control

Syntax

PowerBuilder

```
integer dwcontrol.GetDataStyle ( string graphcontrol, integer seriesnumber, integer
datapointnumber, REF grSymbolType symbolvariable )
```

Table 10.21:

Argument	Description
dwcontrol	A reference to the DataWindow control containing the graph.
graphcontrol	A string whose value is the name of the graph in the DataWindow control.
seriesnumber	The number of the series in which you want the symbol type of a data point.
datapointnumber	The number of the data point for which you want the symbol type.

Argument	Description
symbolvariable	In PowerBuilder, a variable of type grSymbolType in which you want to store the symbol type. For a list of values, see grSymbolType .

Return value

Returns 1 if it succeeds and -1 if an error occurs. Stores, according to the type of symbolvariable, a value of that enumerated datatype representing the symbol used for the specified data point. If any argument's value is null, GetDataStyle returns null.

Examples

These statements store the symbol for a data point in the variable symbol_type. The data point is the sixth point in the series named in the SingleLineEdit sle_series in the graph gr_depts in the DataWindow control dw_employees:

```
integer SeriesNbr
grSymbolType symbol_type

// Get the number of the series
SeriesNbr = dw_employees.FindSeries("gr_depts", &
    sle_series.Text)

// Get the symbol
dw_employees.GetDataStyle("gr_depts", SeriesNbr, &
    6, symbol_type)
```

See also

[FindSeries](#)

[GetDataStyleSymbolValue](#)

[GetSeriesStyle](#)

[SetDataStyle](#)

[SetSeriesStyle](#)

10.15 GetDataStyleColorValue**Description**

Returns the color value associated with a data point in a graph in a DataWindow object. You must call GetDataStyleColor first to retrieve the color information. (See [GetDataStyle](#) for information about this method.)

Obsolete method

GetDataStyleColorValue is obsolete and should not be used, because the DataWindow Web Control for ActiveX technology is obsolete.

Applies to

DataWindow Web ActiveX

DataWindow control

Syntax

Web ActiveX

```
number dwcontrol.GetDataStyleColorValue ( )
```

Table 10.22:

Argument	Description
dwcontrol	A reference to a DataWindow control containing the graph

Return value

Returns an RGB color value.

Usage

To find out the color associated with a data point, call `GetDataStyleColor` to retrieve the information, then immediately afterward, call `GetDataStyleColorValue` and examine the return value.

The color for a data point overrides the color setting for the series.

See also

[GetDataStyle](#)

10.16 GetDataStyleFillPattern**Description**

Returns the fill pattern associated with a data point in a graph in a DataWindow object. You must call `GetDataStyleFill` first to retrieve the fill information. (See [GetDataStyle](#) for information about this method.)

Obsolete method

`GetDataStyleFillPattern` is obsolete and should not be used, because the DataWindow Web Control for ActiveX technology is obsolete.

Applies to

DataWindow Web ActiveX

DataWindow control

Syntax

Web ActiveX

```
number dwcontrol.GetDataStyleFillPattern ( )
```

Table 10.23:

Argument	Description
dwcontrol	A reference to a DataWindow control containing the graph

Return value

Returns an integer representing the fill pattern.

For a list of values and their meanings, see [FillPattern](#).

Usage

To find out the fill pattern associated with a data point, call `GetDataStyleFill` to retrieve the information, then immediately afterward, call `GetDataStyleFillPattern` and examine the return value.

The fill pattern for a data point overrides the fill pattern setting for the series.

See also

[GetDataStyle](#)

10.17 GetDataStyleLineStyle

Description

Returns the line style associated with a data point in a graph in a DataWindow object. You must call `GetDataStyleLine` first to retrieve the line style information. (See [GetDataStyle](#) for information about this method.)

Obsolete method

`GetDataStyleLineStyle` is obsolete and should not be used, because the DataWindow Web Control for ActiveX technology is obsolete.

Applies to

DataWindow Web ActiveX

DataWindow control

Syntax

Web ActiveX

```
number dwcontrol.GetDataStyleLineStyle ( )
```

Table 10.24:

Argument	Description
dwcontrol	A reference to a DataWindow control containing the graph

Return value

Returns an integer representing the line style.

For a list of values and their meanings, see [LineStyle](#).

Usage

To find out the line width or line style associated with a data point, call `GetDataStyleLine` to retrieve the information, then immediately afterward, call `GetDataStyleLineWidth` and `GetDataStyleLineStyle` and examine the return values.

The line style for a data point overrides the setting for the series.

See also[GetDataStyle](#)

10.18 GetDataStyleLineWidth

Description

Returns the line width associated with a data point in a graph in a DataWindow object. You must call `GetDataStyleLine` first to retrieve the line style information. (See [GetDataStyle](#) for information about this method.)

Obsolete method

`GetDataStyleLineWidth` is obsolete and should not be used, because the DataWindow Web Control for ActiveX technology is obsolete.

Applies to

DataWindow Web ActiveX

DataWindow control

Syntax

Web ActiveX

```
number dwcontrol.GetDataStyleLineWidth ( )
```

Table 10.25:

Argument	Description
dwcontrol	A reference to a DataWindow control containing the graph

Return value

Returns the width of the line in pixels.

Usage

To find out the line width or line style associated with a data point, call `GetDataStyleLine` to retrieve the information, then immediately afterward, call `GetDataStyleLineWidth` and `GetDataStyleLineStyle` and examine the return values.

The line width for a data point overrides the setting for the series.

See also[GetDataStyle](#)

10.19 GetDataStyleSymbolValue

Description

Returns the symbol associated with a data point in a graph in a DataWindow object. You must call `GetDataStyleSymbol` first to retrieve the symbol information. (See [GetDataStyle](#) for information about this method.)

Obsolete method

GetDataStyleSymbolValue is obsolete and should not be used, because the DataWindow Web Control for ActiveX technology is obsolete.

Applies to

DataWindow Web ActiveX

DataWindow control

Syntax

Web ActiveX

```
number dwcontrol.GetDataStyleSymbolValue ( )
```

Table 10.26:

Argument	Description
dwcontrol	A reference to a DataWindow control containing the graph

Return value

Returns an integer representing data point's symbol. For a list of values and their meanings, see [grSymbolType](#).

Usage

To find out the symbol associated with a data point, call GetDataStyleSymbol to retrieve the information, then immediately afterward, call GetDataStyleSymbolValue and examine the return value.

The symbol for a data point overrides the setting for the series.

See also

[GetDataStyle](#)

10.20 GetDataTransparency

Description

Obtains the transparency percentage of a data point in a DirectX 3D graph (those with 3D rendering).

Applies to

DataWindow control

Syntax

```
integer dwcontrol.GetDataTransparency ( string graphcontrol, integer seriesnumber, int datapoint, REF int transparency)
```

Table 10.27:

Argument	Description
dwcontrol	A reference to the DataWindow control containing the graph.

Argument	Description
graphcontrol	A string whose value is the name of the graph in the DataWindow control.
seriesnumber	The number that identifies the series from which you want data.
datapoint	The number of the data point for which you want the transparency value.
transparency	Integer value for percent transparency. A value of 0 means that the data point is opaque and a value of 100 means that it is completely transparent.

Return value

Returns 1 if it succeeds and -1 if an error occurs. If any argument's value is null, GetDataTransparency returns null.

Usage

GetDataTransparency retrieves data from any DirectX 3D graph (those with 3D rendering).

Examples

These statements obtain the transparency percentage of data point 3 in the series named Costs in the graph gr_computers in the DataWindow control dw_equipment:

```
integer SeriesNbr, rtn, transp_value

// Get the number of the series.
SeriesNbr = dw_equipment.FindSeries( &
    "gr_computers", "Costs" )
rtn = dw_equipment.GetDataTransparency( &
    "gr_computers" , SeriesNbr, 3, transp_value)
```

See also

[FindSeries](#)

[GetSeriesTransparency](#)

[SetSeriesTransparency](#)

[SetDataTransparency](#)

10.21 GetDataValue**Description**

Obtains the value of a data point in a series in a graph.

Applies to

PowerBuilder DataWindow

DataWindow control

Syntax

PowerBuilder

```
integer dwcontrol.GetDataValue ( string graphcontrol,
    integer seriesnumber, long datapoint, REF date datavariabile
    {, grDataType XorY } )
```



```
integer dwcontrol.GetDataValue ( string graphcontrol,
    integer seriesnumber, long datapoint, REF datetime datavariabile
    {, grDataType XorY } )
integer dwcontrol.GetDataValue ( string graphcontrol,
    integer seriesnumber, long datapoint, REF double datavariabile
    {, grDataType XorY } )
integer dwcontrol.GetDataValue ( string graphcontrol,
    integer seriesnumber, long datapoint, REF string datavariabile
    {, grDataType XorY } )
integer dwcontrol.GetDataValue ( string graphcontrol,
    integer seriesnumber, long datapoint, REF time datavariabile
    {, grDataType XorY } )
```

Table 10.28:

Argument	Description
dwcontrol	A reference to the DataWindow control containing the graph.
graphcontrol	A string whose value is the name of the graph in the DataWindow control.
seriesnumber	The number that identifies the series from which you want data.
datapoint	The number of the data point for which you want the value.
datavariabile	The name of a variable that will hold the data value. The variable's datatype can be date, DateTime, double, string, or time. The variable must have the same datatype as the values axis of the graph.
xory (scatter graph only) (optional)	A value of the grDataType enumerated datatype (in PowerBuilder) specifying whether you want the x or y value of the data point in a scatter graph. For values, see grDataType .

Return value

Returns 1 if it succeeds and -1 if an error occurs. If any argument's value is null, GetDataValue returns null.

Usage

GetDataValue retrieves data from any graph. The data is stored in datavariabile, whose datatype must match the datatype of the graph's values axis, or returned by a method that corresponds to the axis datatype. If the values axis is numeric, you can also use the GetData function.

Calling GetDataValue when the datatype of datavariabile is not the same as the datatype of the data produces undefined results.

If a variable's datatype is non-numeric and the datatype of datavariabile is double, GetDataValue returns the number of the datapoint in datavariabile.

If a variable's datatype is date, time, or DateTime, GetDataValue returns 1 when the datatype of datavariabile is any of those datatypes. However, if the variable's datatype is time and the datatype of datavariabile is date, GetDataValue returns 00/00/00 in datavariabile, and if the variable's datatype is date and the datatype of datavariabile is time, GetDataValue returns 00:00:00 in datavariabile.

Examples

These statements obtain the data value of data point 3 in the series named Costs in the graph gr_computers in the DataWindow control dw_equipment:

```
integer SeriesNbr, rtn
double data_value

// Get the number of the series.
SeriesNbr = dw_equipment.FindSeries( &
    "gr_computers", "Costs")
rtn = dw_equipment.GetDataValue( &
    "gr_computers" , SeriesNbr, 3, data_value)
```

See also[FindSeries](#)[ObjectAtPointer](#)

10.22 GetSeriesLabelling

Description

Determines whether the data for a given series is labeled in a DirectX 3D graph.

Applies to

DataWindow control

Syntax

```
integer dwcontrol.GetSeriesLabelling (string graphcontrol, string series, REF
    boolean value)
```

Table 10.29:

Argument	Description
dwcontrol	A reference to the DataWindow control containing the graph.
graphcontrol	A string whose value is the name of the graph in the DataWindow control.
series	The string that names the series in which you want the series label setting.
value	A boolean passed by reference to indicate whether the series has labels.

Return value

Returns 1 if it succeeds and -1 if an error occurs. If any argument's value is null, GetSeriesLabelling returns null.

Usage

GetSeriesLabelling retrieves the data from DirectX 3D Area, Bar, Col, or Line graphs. You cannot use this method with DirectX 3D Pie graphs.

Examples

These statements obtain the number of the series and data point for the graph gr_1 in the DataWindow control dw_employee and then get the series label setting.

```
integer SeriesNbr, ItemNbr
boolean refB
```

```

string ls_SeriesName
grObjectType clickedtype

// Get the number of the series and datapoint
clickedtype = this.ObjectAtPointer("gr_1", &
    SeriesNbr, ItemNbr)

//Get the name of series
ls_SeriesName = dw_employee.SeriesName("gr_1", &
    SeriesNbr)

// Get Series label
dw_employee.GetSeriesLabelling("gr_1", &
    ls_SeriesName, refB)

```

See also[GetDataLabelling](#)[SetDataLabelling](#)[SetSeriesLabelling](#)**10.23 GetSeriesStyle**

Finds out the appearance of a series in a graph. The appearance settings for individual data points can override the series settings, so the values obtained from GetSeriesStyle might not reflect the current state of the graph. There are several syntaxes, depending on what settings you want.

Table 10.30:

To	Use
Get the series' colors	Syntax 1
Get the line style and width used by the series	Syntax 2
Get the fill pattern for the series	Syntax 3
Get the symbol for data points in the series	Syntax 4
Find out if the series is an overlay (a series shown as a line on top of another graph type)	Syntax 5

GetSeriesStyle provides information about a series. The data points in the series can have their own style settings. Use SetSeriesStyle to change the style values for a series. Use GetDataStyle to get style information for a data point and SetDataStyle to override series settings and set style information for individual data points.

The graph stores style information for properties that do not apply to the current graph type. For example, you can find out the fill pattern for a data point or a series in a two-dimensional line graph, but that fill pattern will not be visible.

10.23.1 Syntax 1 For the colors of a series**Description**

Obtains the colors associated with a series in a graph.

Applies to

PowerBuilder DataWindow

DataWindow control

Syntax

PowerBuilder

```
integer dwcontrol.GetSeriesStyle ( string graphcontrol, string seriesname,
    grColorType colortype, REF long colorvariable )
```

Table 10.31:

Argument	Description
dwcontrol	A reference to the DataWindow control containing the graph.
graphcontrol	A string whose value is the name of the graph in the DataWindow control.
seriesname	A string whose value is the name of the series for which you want the color.
colortype	A value of the grColorType enumerated datatype (in PowerBuilder) specifying the aspect of the series for which you want the color. For a list of values, see grColorType .
colorvariable	In PowerBuilder, a long variable in which you want to store the color's RGB value.

Return value

Returns 1 if it succeeds and -1 if an error occurs. In PowerBuilder, stores in colorvariable the RGB value of the specified series and item. If any argument's value is null, GetSeriesStyle returns null.

Examples

These statements store in the variable color_nbr the background color used for the series PCs in the graph gr_computers in the DataWindow control dw_equipment:

```
long color_nbr
// Get the color.
dw_equipment.GetSeriesStyle("gr_computers", &
    "PCs", Background!, color_nbr)
```

See also

[GetDataStyle](#)

[GetSeriesStyleColorValue](#)

[FindSeries](#)

[SetDataStyle](#)

[SetSeriesStyle](#)

10.23.2 Syntax 2 For the line style and width used by a series**Description**

Obtains the line style and width for a series in a graph.

Applies to

PowerBuilder DataWindow

DataWindow control

Syntax

PowerBuilder

```
integer dwcontrol.GetSeriesStyle ( string graphcontrol, string seriesname, REF
LineStyle linestyle {, REF integer linewidth } )
```

Table 10.32:

Argument	Description
dwcontrol	A reference to the DataWindow control containing the graph.
graphcontrol	A string whose value is the name of the graph in the DataWindow control.
seriesname	A string whose value is the name of the series for which you want the line style information.
linestyle	In PowerBuilder, a variable of type LineStyle in which you want to store the line style of seriesname. For a list of values, see LineStyle .
linewidth (optional)	In PowerBuilder, an integer variable in which you want to store the line width for seriesname. The width is measured in pixels.

Return value

Returns 1 if it succeeds and -1 if an error occurs. In PowerBuilder, stores in linestyle a value of the LineStyle enumerated datatype and in linewidth the width of the line used for the specified series. If any argument's value is null, GetSeriesStyle returns null.

Examples

These statements store in the variables line_style and line_width the line style and width for the series under the mouse pointer in the graph gr_product_data:

```
string SeriesName
integer SeriesNbr, Data_Point, line_width
LineStyle line_style
grObjectType MouseHit

MouseHit = dw_equipment.ObjectAtPointer &
("gr_product_data", SeriesNbr, Data_Point)

IF MouseHit = TypeSeries! THEN
    SeriesName = &
        dw_equipment.SeriesName("gr_product_data", &
            SeriesNbr)

    dw_equipment.GetSeriesStyle ("gr_product_data", &
        SeriesName, line_style, line_width)
END IF
```

See also

[GetDataStyle](#)

[GetDataStyleLineStyle](#)

[GetSeriesStyleLineWidth](#)

[FindSeries](#)

[SetDataStyle](#)[SetSeriesStyle](#)

10.23.3 Syntax 3 For the fill pattern of a series

Description

Obtains the fill pattern of a series in a graph.

Applies to

PowerBuilder DataWindow

DataWindow control

Syntax

PowerBuilder

```
integer dwcontrol.GetSeriesStyle ( string graphcontrol, string seriesname, REF
FillPattern fillvariable )
```

Table 10.33:

Argument	Description
dwcontrol	A reference to the DataWindow control containing the graph.
graphcontrol	A string whose value is the name of the graph in the DataWindow control.
seriesname	A string whose value is the name of the series for which you want the style information.
fillvariable	In PowerBuilder, a variable of type FillPattern in which you want to store the fill pattern value. For a list of values, see FillPattern .

Return value

Returns 1 if it succeeds and -1 if an error occurs. In PowerBuilder, stores in fillvariable identifying the fill pattern for the specified series. If any argument's value is null, GetSeriesStyle returns null.

Examples

This example stores in the variable data_pattern the fill pattern for the series under the pointer in the graph gr_depts in the DataWindow control dw_employees. It then sets the fill pattern for the series Total Salary in the graph gr_dept_data to that pattern:

```
string SeriesName
integer SeriesNbr, Data_Point
FillPattern data_pattern
grObjectType MouseHit

MouseHit = dw_employees.ObjectAtPointer("gr_depts" , &
SeriesNbr, Data_Point)

IF MouseHit = TypeSeries! THEN
SeriesName = &
dw_employees.SeriesName("gr_depts" , SeriesNbr)

dw_employees.GetSeriesStyle("gr_depts" , &
SeriesName, data_pattern)
```

```

gr_dept_data.SetSeriesStyle("Total Salary", &
    data_pattern)
END IF

```

See also[GetDataStyle](#)[GetSeriesStyleFillPattern](#)[FindSeries](#)[SetDataStyle](#)[SetSeriesStyle](#)**10.23.4 Syntax 4 For the symbol of a series****Description**

Obtains the symbol used for data points in a series in a graph.

Applies to

PowerBuilder DataWindow

DataWindow control

Syntax

PowerBuilder

```

integer dwcontrol.GetSeriesStyle ( string graphcontrol, string seriesname, REF
    grSymbolType symbolvariable )

```

Table 10.34:

Argument	Description
dwcontrol	A reference to the DataWindow control containing the graph.
graphcontrol	A string whose value is the name of the graph in the DataWindow control.
seriesname	A string whose value is the name of the series for which you want the style information.
symbolvariable	In PowerBuilder, the variable of type grSymbolType in which you want to store the symbol value. For a list of values, see grSymbolType .

Return value

Returns 1 if it succeeds and -1 if an error occurs. In PowerBuilder, stores in symbolvariable a value of the grSymbolType enumerated datatype for the symbol used for the specified series. If any argument's value is null, GetSeriesStyle returns null.

Examples

This example stores in the variable data_pattern the fill pattern for the series under the pointer in the graph gr_depts in the DataWindow control dw_employees. It then sets the fill pattern for the series Total Salary in the graph gr_dept_data to that pattern:

```

string SeriesName

```

```

integer SeriesNbr, Data_Point
grSymbolType symbol
grObjectType MouseHit

MouseHit = dw_employees.ObjectAtPointer("gr_depts" , &
    SeriesNbr, Data_Point)

IF MouseHit = TypeSeries! THEN
    SeriesName = &
        dw_employees.SeriesName("gr_depts" , SeriesNbr)
        dw_employees.GetSeriesStyle("gr_depts" , &
            SeriesName, symbol
        gr_dept_data.SetSeriesStyle("Total Salary", &
            symbol)
END IF

```

See also[GetDataStyle](#)[GetSeriesStyleSymbolValue](#)[FindSeries](#)[SetDataStyle](#)[SetSeriesStyle](#)**10.23.5 Syntax 5 For determining whether a series is an overlay****Description**

Reports whether a series in a graph is an overlay -- whether it is shown as a line on top of another graph type.

Applies to

PowerBuilder DataWindow

DataWindow control

Syntax

PowerBuilder

```

integer dwcontrol.GetSeriesStyle ( string graphcontrol, string seriesname, REF
    boolean overlayindicator )

```

Table 10.35:

Argument	Description
dwcontrol	A reference to the DataWindow control containing the graph.
graphcontrol	A string whose value is the name of the graph in the DataWindow control.
seriesname	A string whose value is the name of the series for which you want the overlay status.
overlayindicator	In PowerBuilder, a boolean variable in which you want to store a value indicating whether the series is an overlay. GetSeriesStyle sets overlayindicator to true if the series is an overlay and false if it is not.

Return value

Returns 1 if it succeeds and -1 if an error occurs. In PowerBuilder, stores in `overlayindicator` true if the specified series is an overlay and false if it is not. If any argument's value is null, `GetSeriesStyle` returns null.

See also

[GetSeriesStyleOverlayValue](#)

10.24 GetSeriesStyleColorValue

Description

Returns the color value associated with a series in a graph in a DataWindow object. You must call `GetSeriesStyleColor` first to retrieve the color information. (See [GetSeriesStyle](#) for information about this method.)

Obsolete method

`GetSeriesStyleColorValue` is obsolete and should not be used, because the DataWindow Web Control for ActiveX technology is obsolete.

Applies to

DataWindow Web ActiveX

DataWindow control

Syntax

Web ActiveX

```
number dwcontrol.GetSeriesStyleColorValue ( )
```

Table 10.36:

Argument	Description
<code>dwcontrol</code>	A reference to a DataWindow control containing the graph

Return value

Returns an RGB color value.

Usage

To find out the color associated with a series, call `GetSeriesStyleColor` to retrieve the information, then immediately afterward, call `GetSeriesStyleColorValue` and examine the return value.

Since data points in a series can have their own style settings, the color setting for a series might not match the color for a specific data point within that series.

See also

[GetSeriesStyle](#)

10.25 GetSeriesStyleFillPattern

Description

Returns the fill pattern associated with a series in a graph in a DataWindow object. You must call `GetSeriesStyleFill` first to retrieve the fill information. (See [GetSeriesStyle](#) for information about this method.)

Obsolete method

`GetSeriesStyleFillPattern` is obsolete and should not be used, because the DataWindow Web Control for ActiveX technology is obsolete.

Applies to

DataWindow Web ActiveX

DataWindow control

Syntax

Web ActiveX

```
number dwcontrol.GetSeriesStyleFillPattern ( )
```

Table 10.37:

Argument	Description
dwcontrol	A reference to a DataWindow control containing the graph

Return value

Returns an integer representing the fill pattern.

For a list of values and their meanings, see [FillPattern](#).

Usage

To find out the fill pattern associated with a series, call `GetSeriesStyleFill` to retrieve the information, then immediately afterward, call `GetSeriesStyleFillPattern` and examine the return value.

Since data points in a series can have their own style settings, the fill pattern for a series might not match the fill pattern for a specific data point within that series.

See also

[GetSeriesStyle](#)

10.26 GetSeriesStyleLineStyle

Description

Returns the line style associated with a series in a graph in a DataWindow object. You must call `GetSeriesStyleLine` first to retrieve the line style information. (See [GetSeriesStyle](#) for information about this method.)

Obsolete method

`GetSeriesStyleLineStyle` is obsolete and should not be used, because the DataWindow Web Control for ActiveX technology is obsolete.

Applies to

DataWindow Web ActiveX

DataWindow control

Syntax

Web ActiveX

```
number dwcontrol.GetSeriesStyleLineStyle ( )
```

Table 10.38:

Argument	Description
dwcontrol	A reference to a DataWindow control containing the graph

Return value

Returns an integer representing the line style.

For a list of possible values and their meanings, see [LineStyle](#).**Usage**

To find out the line width or line style associated with a series, call `GetSeriesStyleLine` to retrieve the information, then immediately afterward, call `GetSeriesStyleLineWidth` and `GetSeriesStyleLineStyle` and examine the return values.

Since data points in a series can have their own style settings, the line style for a series might not match the line style for a specific data point within that series.

See also[GetSeriesStyle](#)[GetDataStyleLineWidth](#)**10.27 GetSeriesStyleLineWidth****Description**

Returns the line width associated with a series in a graph in a DataWindow object. You must call `GetSeriesStyleLine` first to retrieve the line style information. (See [GetSeriesStyle](#) for information about this method.)

Obsolete method

`GetSeriesStyleLineWidth` is obsolete and should not be used, because the DataWindow Web Control for ActiveX technology is obsolete.

Applies to

DataWindow Web ActiveX

DataWindow control

Syntax

Web ActiveX

```
number dwcontrol.GetSeriesStyleLineWidth ( )
```

Table 10.39:

Argument	Description
dwcontrol	A reference to a DataWindow control containing the graph

Return value

Returns the width of the line in pixels.

Usage

To find out the line width or line style associated with a series, call `GetSeriesStyleLine` to retrieve the information, then immediately afterward, call `GetSeriesStyleLineWidth` and `GetSeriesStyleLineStyle` and examine the return values.

Since data points in a series can have their own style settings, the line width for a series might not match the line width for a specific data point within that series.

See also

[GetSeriesStyle](#)

[GetSeriesStyleLineStyle](#)

10.28 GetSeriesStyleOverlayValue**Description**

Returns a value indicating whether a series is an overlay, that is, whether it is shown on top of another graph type. You must call `GetSeriesStyleOverlay` first to retrieve the overlay information. (See [GetSeriesStyle](#) for information about this method.)

Obsolete method

`GetSeriesStyleOverlayValue` is obsolete and should not be used, because the DataWindow Web Control for ActiveX technology is obsolete.

Applies to

DataWindow Web ActiveX

DataWindow control

Syntax

Web ActiveX

```
boolean dwcontrol.GetSeriesStyleOverlayValue ( )
```

Table 10.40:

Argument	Description
dwcontrol	A reference to a DataWindow control containing the graph

Return value

Returns true if the series is an overlay and false if it is not.

Usage

To find out whether a series is an overlay, call `GetSeriesStyleOverlay` to retrieve the information, then immediately afterward, call `GetSeriesStyleOverlayValue` and examine the return value.

See also

[GetSeriesStyle](#)

10.29 GetSeriesStyleSymbolValue

Description

Returns the symbol associated with a series in a graph in a `DataWindow` object. You must call `GetSeriesStyleLine` first to retrieve the line style information. (See [GetSeriesStyle](#) for information about this method.)

Obsolete method

`GetSeriesStyleSymbolValue` is obsolete and should not be used, because the `DataWindow Web Control` for ActiveX technology is obsolete.

Applies to

`DataWindow Web ActiveX`

`DataWindow control`

Syntax

`Web ActiveX`

```
number dwcontrol.GetSeriesStyleSymbolValue ( )
```

Table 10.41:

Argument	Description
<code>dwcontrol</code>	A reference to a <code>DataWindow</code> control containing the graph

Return value

Returns an integer representing a data point's symbol.

For a list of values and their meanings, see [grSymbolType](#).

Usage

To find out the symbol associated with a series, call `GetSeriesStyleSymbol` to retrieve the information, then immediately afterward, call `GetSeriesStyleSymbolValue` and examine the return value.

Since data points in a series can have their own style settings, the symbol for a series might not match the symbol for a specific data point within that series.

See also

[GetSeriesStyle](#)

10.30 GetSeriesTransparency

Description

Obtains the transparency percentage of a series in a DirectX 3D graph (those with 3D rendering).

Applies to

DataWindow control

Syntax

```
integer dwcontrol.GetSeriesTransparency ( string graphcontrol, string series, REF
int transparency)
```

Table 10.42:

Argument	Description
dwcontrol	A reference to the DataWindow control containing the graph.
graphcontrol	A string whose value is the name of the graph in the DataWindow control.
series	The string that identifies the series from which you want the transparency value.
transparency	Integer value for percent transparency. A value of 0 means that the series is opaque and a value of 100 means that it is completely transparent.

Return value

Returns 1 if it succeeds and -1 if an error occurs. If any argument's value is null, GetSeriesTransparency returns null.

Usage

GetSeriesTransparency retrieves data from any DirectX 3D graph (those with 3D rendering).

Examples

These statements obtain the transparency percentage of the series named Costs in the graph gr_computers in the DataWindow control dw_equipment:

```
integer SeriesNbr, rtn, ser_transp_value

// Get the number of the series.
SeriesNbr = dw_equipment.FindSeries( &
    "gr_computers", "Costs")
rtn = dw_equipment.GetSeriesTransparency( &
    "gr_computers" , SeriesNbr, ser_transp_value)
```

See also

[FindSeries](#)

[GetDataTransparency](#)

[SetDataTransparency](#)

[SetSeriesTransparency](#)

10.31 ObjectAtPointer

Description

Finds out where the user clicked in a graph. ObjectAtPointer reports the region of the graph under the pointer and stores the associated series and data point numbers in the designated variables.

Applies to

PowerBuilder DataWindow

DataWindow control

Syntax

PowerBuilder

```
grObjectType dwcontrol.ObjectAtPointer ( string graphcontrol, REF integer
seriesnumber, REF integer datapoint )
```

Table 10.43:

Argument	Description
dwcontrol	A reference to the DataWindow control containing the graph.
graphcontrol	A string whose value is the name of the graph in the DataWindow control.
seriesnumber	In PowerBuilder, an integer variable in which you want to store the number of the series under the pointer.
datapoint	In PowerBuilder, an integer variable in which you want to store the number of the data point under the pointer.

Return value

Returns a value of the grObjectType enumerated datatype identifying the type of object under the pointer if the user clicks anywhere in the graph (including an empty area) and a null value if the user clicks outside the graph.

For a list of type values, see [grObjectType](#).

Usage

The ObjectAtPointer function allows you to find out how the user is interacting with the graph. The function returns a value of the grObjectType enumerated datatype identifying the part of the graph. When the user clicks in a series, data point, or category, ObjectAtPointer stores the series and/or data point numbers in designated variables.

When the user clicks a data point (or other data mark, such as line or bar), or on the series labels in the legend, ObjectAtPointer stores the series number in the designated variable. When the user clicks on a data point or category tickmark label, ObjectAtPointer stores the data point number in the designated variable.

When the user clicks in a series, but not on the actual data point, ObjectAtPointer stores 0 in datapoint and when the user clicks in a category, ObjectAtPointer stores 0 in seriesnumber. When the user clicks other parts of the graph, ObjectAtPointer stores 0 in both variables.

Examples

PowerBuilder

These statements store the series number and data point number at the pointer location in the graph named `gr_computers` in the DataWindow control `dw_equipment` in `SeriesNbr` and `ItemNbr`:

```
integer SeriesNbr, ItemNbr
dw_equipment.ObjectAtPointer("gr_computers", &
    SeriesNbr, ItemNbr)
```

10.32 ObjectAtPointerDataPoint

Description

Returns the number of the data point under the pointer. You must call [ObjectAtPointer](#) first to retrieve the pointer position information.

Obsolete method

`ObjectAtPointerDataPoint` is obsolete and should not be used, because the DataWindow Web Control for ActiveX technology is obsolete.

Applies to

DataWindow Web ActiveX

DataWindow control

Syntax

Web ActiveX

```
number dwcontrol.ObjectAtPointerDataPoint ( )
```

Table 10.44:

Argument	Description
<code>dwcontrol</code>	A reference to a DataWindow control containing the graph

Return value

Returns the number of the data point.

Usage

To find out the data point and series under the pointer, call `ObjectAtPointer` to retrieve the information, then immediately afterward, call `ObjectAtPointerDataPoint` and `ObjectAtPointerSeries` and examine the return values.

See also

[ObjectAtPointer](#)

[ObjectAtPointerSeries](#)

10.33 ObjectAtPointerSeries

Description

Returns the number of the series under the pointer. You must call [ObjectAtPointer](#) first to retrieve the pointer position information.

Obsolete method

ObjectAtPointerSeries is obsolete and should not be used, because the DataWindow Web Control for ActiveX technology is obsolete.

Applies to

DataWindow Web ActiveX

DataWindow control

Syntax

Web ActiveX

```
number dwcontrol.ObjectAtPointerSeries ( )
```

Table 10.45:

Argument	Description
dwcontrol	A reference to a DataWindow control containing the graph

Return value

Returns the number of the series.

Usage

To find out the data point and series under the pointer, call [ObjectAtPointer](#) to retrieve the information, then immediately afterward, call [ObjectAtPointerDataPoint](#) and [ObjectAtPointerSeries](#) and examine the return values.

See also

[ObjectAtPointer](#)

[ObjectAtPointerDataPoint](#)

10.34 Reset

Description

Deletes the data, the categories, or the series from a graph.

Reset is for graphs within a DataWindow object with an external data source. It does not apply to other graphs in DataWindow objects because their data comes directly from the DataWindow.

Applies to

PowerBuilder DataWindow

DataWindow control

Syntax

PowerBuilder

```
integer dwcontrol.Reset ( grResetType graphresettype )
```

Table 10.46:

Argument	Description
dwcontrol	A reference to the DataWindow control containing the graph.
graphresettype	A value of the grResetType enumerated datatype specifying whether you want to delete only data values or all series and all data values: <ul style="list-style-type: none"> • All! -- Delete all series, categories, and data in dwcontrol. • Category! -- Delete categories and data in dwcontrol. • Data! -- Delete data in dwcontrol. • Series! -- Delete the series and data in dwcontrol.

Return value

Returns 1 if it succeeds and -1 if an error occurs. If any argument's value is null, Reset returns null. The return value is usually not used.

Usage

Use Reset to clear the data in a graph before you add new data.

Examples

PowerBuilder

This statement deletes the series and data, but leaves the categories, in the graph gr_product_data in the DataWindow dw_prod. The DataWindow object has an external data source:

```
dw_prod.Reset("gr_product_data", Series!)
```

10.35 ResetDataColors**Description**

Restores the color of a data point to the default color for its series.

Applies to

PowerBuilder DataWindow

DataWindow control

Syntax

PowerBuilder

```
integer dwcontrol.ResetDataColors ( string graphcontrol, integer seriesnumber, long datapointnumber )
```

Table 10.47:

Argument	Description
dwcontrol	A reference to the DataWindow control containing the graph

Argument	Description
graphcontrol	A string whose value is the name of the graph in the DataWindow control
seriesnumber	The number of the series in which you want to reset the color of a data point
datapointnumber	The number of the data point for which you want to reset the color

Return value

Returns 1 if it succeeds and -1 if an error occurs. If any argument's value is null, ResetDataColors returns null.

Default color for data points

To set the color for a series, use SetSeriesStyle. The color you set for the series is the default color for all data points in the series.

Examples

PowerBuilder

These statements change the color of data point 10 in the series named Costs in the graph gr_computers in the DataWindow control dw_equipment to the color for the series:

```
SeriesNbr = dw_equipment.FindSeries("gr_computers", &
    "Costs")
dw_equipment.ResetDataColors("gr_computers", &
    SeriesNbr, 10)
```

See also

[GetDataStyle](#)

[GetSeriesStyle](#)

[SetDataStyle](#)

[SetSeriesStyle](#)

10.36 SaveAs**Description**

Saves the data in a graph in the format you specify.

Applies to

PowerBuilder DataWindow

DataWindow control

Syntax

PowerBuilder

```
integer dwcontrol.SaveAs ( string graphcontrol { , string filename, SaveAsType
    saveastype, boolean colheading { , encoding } } )
```

Table 10.48:

Argument	Description
dwcontrol	A reference to the DataWindow control containing the graph.
graphcontrol	A string whose value is the name of the graph in the DataWindow control.
filename (optional)	A string whose value is the name of the file in which you want to save the data in the graph. If you omit filename or specify an empty string (""), the user is prompted for a file name.
saveastype (optional)	A value of the SaveAsType enumerated datatype (in PowerBuilder) specifying the format in which to save the data represented in the graph. For a list of values, see SaveAsType .
colheading (optional)	A boolean value indicating whether you want column headings with the saved data. The default value is true. This argument is used for the following formats: Clipboard, CSV, Excel, and Text. For most other formats, column headings are always saved.
encoding (optional)	Character encoding of the file to which the data is saved. This parameter applies only to the following formats: TEXT, CSV, SQL, HTML, and DIF. If you do not specify an encoding parameter, the file is saved in ANSI format. Values are: <ul style="list-style-type: none"> • EncodingANSI! (default) • EncodingUTF8! • EncodingUTF16LE! • EncodingUTF16BE!

Return value

Returns 1 if it succeeds and -1 if an error occurs. If any argument's value is null, SaveAs returns null.

If you do not specify any arguments, PowerBuilder saves the DataWindow data rather than the data in the graph control. In this case, or in the case where you specify only the graph control name as an argument, PowerBuilder displays the Save As dialog box, letting the user specify the format of the saved data.

Examples

PowerBuilder

This statement saves the contents of gr_computers in the DataWindow control dw equipmt to the file G:\INVENTORY\SALES.XLS. The format is comma-separated values with column headings:

```
dw equipmt.SaveAs("gr_computers", &
"G:\INVENTORY\SALES.XLS", CSV!, true)
```

See also

[Print](#)

[SaveAs](#)

10.37 SeriesCount

Description

Counts the number of series in a graph.

Applies to

PowerBuilder DataWindow

DataWindow control

Syntax

PowerBuilder

```
integer dwcontrol.SeriesCount ( string graphcontrol )
```

Table 10.49:

Argument	Description
dwcontrol	A reference to the DataWindow control containing the graph
graphcontrol	A string whose value is the name of the graph in the DataWindow control

Return value

Returns the number of series in the graph if it succeeds and -1 if an error occurs. If any argument's value is null, SeriesCount returns null.

Examples

PowerBuilder

These statements store in the variable li_series_count the number of series in the graph gr_computers in the DataWindow control dw_equipment:

```
integer li_series_count
li_series_count = &
    dw_equipment.SeriesCount("gr_computers")
```

See also

[CategoryCount](#)

[DataCount](#)

10.38 SeriesName

Description

Obtains the series name associated with the specified series number.

Applies to

PowerBuilder DataWindow

DataWindow control

Syntax

PowerBuilder

```
integer dwcontrol.SeriesName ( string graphcontrol, integer seriesnumber )
```

Table 10.50:

Argument	Description
dwcontrol	A reference to the DataWindow control containing the graph
graphcontrol	A string whose value is the name of the graph in the DataWindow control
seriesnumber	The number of the series for which you want to obtain the name

Return value

Returns the name assigned to the series. If an error occurs, it returns the empty string (""). If any argument's value is null, SeriesName returns null.

Usage

Series are numbered consecutively, from 1 to the value returned by SeriesCount. When you delete a series, the series are renumbered to keep the numbering consecutive. You can use SeriesName to find out the name of the series associated with a series number.

Examples

PowerBuilder

These statements store in the variable ls_SeriesName the name of series 5 in the graph gr_computers in the DataWindow control dw_equipment:

```
string ls_SeriesName
ls_SeriesName = &
    dw_equipment.SeriesName("gr_computers", 5)
```

See also

[CategoryName](#)

[GetData](#)

10.39 SetDataLabelling

Description

Set the data label for a DirectX 3D graph.

Applies to

DataWindow control

Syntax

```
integer dwcontrol.SetDataLabelling (string graphcontrol, int seriesnumber, int
datapoint, boolean value)
```

Table 10.51:

Argument	Description
dwcontrol	A reference to the DataWindow control containing the graph.
graphcontrol	A string whose value is the name of the graph in the DataWindow control.
seriesnumber	The number that identifies the series in which you want to set the data labelling value.
datapoint	The datapoint.
value	Indicates whether to label the data with its value.

Return value

Returns 1 if it succeeds and -1 if an error occurs. If any argument's value is null, SetDataLabelling returns null.

Usage

SetDataLabelling

is used to indicate whether or not to label the data with the numbers for data in DirectX 3D Area, Bar, Col, or Line graphs. You cannot use this method with DirectX 3D Pie graphs.

Examples

These statements obtain the series and datapoint for the graph gr_1 in the DataWindow control dw_employee.

```
integer SeriesNbr, ItemNbr
grObjectType clickedtype

// Get the number of the series and datapoint
clickedtype = this.ObjectAtPointer("gr_1", &
    SeriesNbr, ItemNbr)

// Set data label
dw_employee.SetDataLabelling("gr_1", &
    SeriesNbr, ItemNbr, true)
```

See also

[GetDataLabelling](#)

[GetSeriesLabelling](#)

[SetSeriesLabelling](#)

10.40 SetDataPieExplode**Description**

Explodes a pie slice in a pie graph. The exploded slice is moved away from the center of the pie, which draws attention to the data. You can explode any number of slices of the pie.

Applies to

PowerBuilder DataWindow

DataWindow control

Syntax

PowerBuilder

```
integer dwcontrol.SetDataPieExplode ( string graphcontrol, integer seriesnumber,
integer datapoint, integer percentage )
```

Table 10.52:

Argument	Description
dwcontrol	A reference to the DataWindow control containing the graph.
graphcontrol	A string whose value is the name of the graph in the DataWindow control.
seriesnumber	The number that identifies the series.
datapoint	The number of the data point (that is, the pie slice) to be exploded.
percentage	A number between 0 and 100 that is the percentage of the radius that the pie slice is moved away from the center. When percentage is 100, the tip of the slice is even with the circumference of the pie's circle.

Return value

Returns 1 if it succeeds and -1 if an error occurs. If any argument's value is null, SetDataPieExplode returns null.

Usage

If the graph is not a pie graph, SetDataPieExplode has no effect.

Examples

PowerBuilder

This example explodes the pie slice under the pointer to 50% when the user double-clicks within the graph. The code checks the property GraphType to make sure the graph is a pie graph. It then finds out whether the user clicked on a pie slice by checking the series and data point values set by ObjectAtPointer. The script is for the DoubleClicked event of the DataWindow control:

```
integer series, datapoint
grObjectType clickedtype
integer percentage

percentage = 50
IF (This.GraphType <> PieGraph! AND &
    This.GraphType <> Pie3D!) THEN RETURN

clickedtype = This.ObjectAtPointer( "gr_equipment", &
    series, datapoint)

IF (series > 0 and datapoint > 0) THEN
    This.SetDataPieExplode("gr_equipment", series, &
        datapoint, percentage)
END IF
```

See also

[GetDataPieExplode](#)

10.41 SetDataStyle

Specifies the appearance of a data point in a graph. The data point's series has appearance settings that you can override with SetDataStyle.

Table 10.53:

To	Use
Set the data point's colors	Syntax 1
Set the line style and width for the data point	Syntax 2
Set the fill pattern for the data point	Syntax 3
Set the symbol for the data point	Syntax 4

10.41.1 Syntax 1 For setting a data point's colors

Description

Specifies the colors of a data point in a graph.

Applies to

PowerBuilder DataWindow

DataWindow control

Syntax

PowerBuilder

```
integer dwcontrol.SetDataStyle ( string graphcontrol, integer seriesnumber, integer datapointnumber, grColorType colortype, long color )
```

Table 10.54:

Argument	Description
dwcontrol	A reference to the DataWindow control containing the graph.
graphcontrol	A string whose value is the name of the graph in the DataWindow control.
seriesnumber	The number of the series in which you want to set the color of a data point.
datapointnumber	The number of the data point for which you want to set the color.
colortype	A value of the grColorType enumerated datatype (in PowerBuilder) specifying the aspect of the data point for which you want to set the color. For a list of values, see grColorType .
color	A long whose value is the new color for colortype.

Return value

Returns 1 if it succeeds and -1 if an error occurs. If any argument's value is null, SetDataStyle returns null.

Usage

To change the appearance of a series, use SetSeriesStyle. The settings you make for the series are the defaults for all data points in the series.

To reset the color of individual points back to the series color, call `ResetDataColors`.

You can specify the appearance of a data point in the graph before the application draws the graph. To do so, define a user event for `pbm_dwngraphcreate` and call `SetDataStyle` in the script for that event. The event `pbm_dwngraphcreate` is triggered just before a graph is created in a `DataWindow` object.

Using `SetDataStyle` with DirectX 3D Graphs

You can only set the color for the foreground. Background, line color, and shade are not supported.

Examples

PowerBuilder

These statements set the text (foreground) color to black for data point 6 in the series named `Salary` in the graph `gr_depts` in the `DataWindow` control `dw_employees`:

```
integer SeriesNbr

// Get the number of the series
SeriesNbr = &
    dw_employees.FindSeries("gr_depts" , "Salary")

// Set the background color
dw_employees.SetDataStyle("gr_depts" , SeriesNbr, &
    6, Background!, 0)
```

See also

[GetDataStyle](#)

[GetSeriesStyle](#)

[ResetDataColors](#)

[SetSeriesStyle](#)

10.41.2 Syntax 2 For the line associated with a data point

Description

Specifies the style and width of a data point's line in a graph.

Applies to

PowerBuilder `DataWindow`

`DataWindow` control

Syntax

PowerBuilder

```
integer dwcontrol.SetDataStyle ( string graphcontrol, integer seriesnumber, integer
datapointnumber, LineStyle linestyle {, integer linewidth } )
```

Table 10.55:

Argument	Description
<code>dwcontrol</code>	A reference to the <code>DataWindow</code> control containing the graph.

Argument	Description
graphcontrol	A string whose value is the name of the graph in the DataWindow control.
seriesnumber	The number of the series in which you want to set the line style and width of a data point.
datapointnumber	The number of the data point for which you want to set the line style and width.
linestyle	A value of the LineStyle enumerated datatype (in PowerBuilder) specifying a line style pattern of dots, dashes, and solid lines. For a list of line style values, see LineStyle .
linewidth (optional for PowerBuilder)	An integer whose value is the width of the line in pixels.

Return value

Returns 1 if it succeeds and -1 if an error occurs. If any argument's value is null, SetDataStyle returns null.

Usage

To change the appearance of a series, use SetSeriesStyle. The settings you make for the series are the defaults for all data points in the series.

You can specify the appearance of a data point in the graph before the application draws the graph. To do so, define a user event for pbm_dwngraphcreate and call SetDataStyle in the script for that event. The event pbm_dwngraphcreate is triggered just before a graph is created in a DataWindow object.

Examples

PowerBuilder

This example checks the line style used for data point 10 in the series named Costs in the graph gr_computers in the DataWindow control dw_equipment. If it is dash-dot, the SetDataStyle sets it to continuous. The line width stays the same:

```
integer SeriesNbr, line_width
LineStyle line_style

// Get the number of the series
SeriesNbr = dw_equipment.FindSeries( &
    "gr_computers", "Costs")

// Get the current line style
dw_equipment.GetDataStyle("gr_computers", &
    SeriesNbr, 10, line_style, line_width)

// If the pattern is dash-dot, change to continuous
IF line_style = DashDot! THEN &
    dw_equipment.SetDataStyle("gr_computers", &
        SeriesNbr, 10, Continuous!, line_width)
```

See also

[GetDataStyle](#)

[GetSeriesStyle](#)

[SetSeriesStyle](#)**10.41.3 Syntax 3 For the fill pattern of a data point****Description**

Specifies the fill pattern for a data point in a graph.

Applies to

PowerBuilder DataWindow

DataWindow control

Syntax

PowerBuilder

```
integer dwcontrol.SetDataStyle ( string graphcontrol, integer seriesnumber, integer
datapointnumber, FillPattern fillvalue )
```

Table 10.56:

Argument	Description
dwcontrol	A reference to the DataWindow control containing the graph.
graphcontrol	A string whose value is the name of the graph in the DataWindow control.
seriesnumber	The number of the series in which you want to set the appearance of a data point.
datapointnumber	The number of the data point for which you want to set the appearance.
fillvalue	A value of the FillPattern enumerated datatype (in PowerBuilder) specifying the fill pattern for the data point. For a list of values, see FillPattern .

Return value

Returns 1 if it succeeds and -1 if an error occurs. If any argument's value is null, SetDataStyle returns null.

Usage

To change the appearance of a series, use SetSeriesStyle. The settings you make for the series are the defaults for all data points in the series.

You can specify the appearance of a data point in the graph before the application draws the graph. To do so, define a user event for pbm_dwnggraphcreate and call SetDataStyle in the script for that event. The event pbm_dwnggraphcreate is triggered just before a graph is created in a DataWindow object.

Using SetDataStyle with DirectX 3D Graphs

You cannot use a fill pattern for a data point.

See also

[GetDataStyle](#)

[GetSeriesStyle](#)[SetSeriesStyle](#)

10.41.4 Syntax 4 For the symbol of a data point

Description

Specifies the symbol for a data point in a graph.

Applies to

PowerBuilder DataWindow

DataWindow control

Syntax

PowerBuilder

```
integer dwcontrol.SetDataStyle ( string graphcontrol, integer seriesnumber, integer
datapointnumber, grSymbolType symbolvalue )
```

Table 10.57:

Argument	Description
dwcontrol	A reference to the DataWindow control containing the graph.
graphcontrol	A string whose value is the name of the graph in the DataWindow control.
seriesnumber	The number of the series in which you want to set the appearance of a data point.
datapointnumber	The number of the data point for which you want to set the appearance.
symbolvalue	A value of the grSymbolType enumerated datatype (in PowerBuilder) specifying the symbol for the data point. For a list of values, see grSymbolType .

Return value

Returns 1 if it succeeds and -1 if an error occurs. If any argument's value is null, SetDataStyle returns null.

Usage

To change the appearance of a series, use SetSeriesStyle. The settings you make for the series are the defaults for all data points in the series.

You can specify the appearance of a data point in the graph before the application draws the graph. To do so, define a user event for pbm_dwngraphcreate and call SetDataStyle in the script for that event. The event pbm_dwngraphcreate is triggered just before a graph is created in a DataWindow object.

Using SetDataStyle with DirectX 3D Graphs

You cannot specify specific symbols for the data point.

See also

[GetDataStyle](#)[GetSeriesStyle](#)[SetSeriesStyle](#)

10.42 SetDataTransparency

Description

Sets the transparency percentage for a data point in a series in a DirectX 3D graph.

Applies to

DataWindow control

Syntax

```
integer dwcontrol.SetDataTransparency ( string graphcontrol, integer seriesnumber,
int datapoint, int transparency)
```

Table 10.58:

Argument	Description
dwcontrol	A reference to the DataWindow control containing the graph.
graphcontrol	A string whose value is the name of the graph in the DataWindow control.
seriesnumber	The number that identifies the series in which you want to set the transparency value of a data point.
datapoint	The number of the data point for which you want to set a transparency value.
transparency	Integer value for percent transparency. A value of 0 means that the data point is opaque and a value of 100 means that it is completely transparent.

Return value

Returns 1 if it succeeds and -1 if an error occurs. If any argument's value is null, SetDataTransparency returns null.

Usage

SetDataTransparency sets the transparency value of a data point in any DirectX 3D graph (those with 3D rendering).

Examples

These statements set the transparency percentage to 50% for data point 3 in the series named Costs in the graph gr_1 in the DataWindow control dw_employee:

```
integer SeriesNbr, ItemNbr, TransNbr
grObjectType clickedtype
// Get the number of the series and datapoint
clickedtype = this.ObjectAtPointer("gr_1", &
SeriesNbr, ItemNbr)
//The following statement sets Transparency to 50%
TransNbr = 50

dw_employee.SetDataTransparency("gr_1", &
SeriesNbr, ItemNbr, TransNbr)
```

See also[FindSeries](#)[GetDataTransparency](#)[GetSeriesTransparency](#)[SetSeriesTransparency](#)

10.43 SetSeriesLabelling

Description

Set the series label for a DirectX 3D graph.

Applies to

DataWindow control

Syntax

```
integer dwcontrol.SetSeriesLabelling (string graphcontrol, string series, boolean value)
```

Table 10.59:

Argument	Description
dwcontrol	A reference to the DataWindow control containing the graph.
graphcontrol	A string whose value is the name of the graph in the DataWindow control.
series	The string that names the series in which you want to change the series label setting.
value	Indicates whether to label the series with its values.

Return value

Returns 1 if it succeeds and -1 if an error occurs. If any argument's value is null, SetSeriesLabelling returns null.

Usage

SetDataLabelling is used to indicate whether or not to label the series with the data numbers for data in DirectX 3D Area, Bar, Col, or Line graphs. You cannot use this method with DirectX 3D Pie graphs.

Examples

These statements obtain the series and datapoint of graph gr_1 and the DataWindow control dw_employee.

```
integer SeriesNbr, ItemNbr
string ls_SeriesName
grObjectType clickedtype

// Get the number of the series and datapoint
```

```

clickedtype = this.ObjectAtPointer("gr_1", &
    SeriesNbr, ItemNbr)

//Get the name of series
ls_SeriesName = dw_employee.SeriesName("gr_1", &
    SeriesNbr)

// Set Series label
dw_employee.SetSeriesLabelling("gr_1", &
    ls_SeriesName, true)

```

See also[GetDataLabelling](#)[GetSeriesLabelling](#)[SetDataLabelling](#)

10.44 SetSeriesStyle

Specifies the appearance of a series in a graph. There are several syntaxes, depending on what settings you want to change.

Table 10.60:

To	Use
Set the series' colors	Syntax 1
Set the line style and width	Syntax 2
Set the fill pattern for the series	Syntax 3
Set the symbol for the series	Syntax 4
Specify that the series is an overlay	Syntax 5

10.44.1 Syntax 1 For setting a series' colors

Description

Specifies the colors of a series in a graph.

Applies to

PowerBuilder DataWindow

DataWindow control

Syntax

PowerBuilder

```

integer dwcontrol.SetSeriesStyle ( string graphcontrol, string seriesname,
    grColorType colortype, long color )

```

Table 10.61:

Argument	Description
dwcontrol	A reference to the DataWindow control containing the graph.
graphcontrol	A string whose value is the name of the graph in the DataWindow control.

Argument	Description
seriesname	A string whose value is the name of the series for which you want to set the color.
colortype	A value of the <code>grColorType</code> enumerated datatype specifying the item for which you want to set the color. For a list of values, see grColorType .
color	A long specifying an RGB value for the new color.

Return value

Returns 1 if it succeeds and -1 if an error occurs. If any argument's value is null, `SetSeriesStyle` returns null.

Usage

Data points in a series can have their own style settings. Settings made with `SetDataStyle` set the style of individual data points and override series settings.

The graph stores style information for properties that do not apply to the current graph type. For example, you can set the fill pattern in a two-dimensional line graph or the line style in a bar graph, but that fill pattern or line style will not be visible.

You can specify the appearance of a series in the graph before the application draws the graph. To do so, define a user event for `pbm_dwngraphcreate` and call `SetSeriesStyle` in the script for that event. The event `pbm_dwngraphcreate` is triggered just before a graph is created in a `DataWindow` object.

Using `SetSeriesStyle` with DirectX 3D Graphs

You can only set the color for the foreground. Background, line color, and shade are not supported.

Examples

PowerBuilder

This statement sets the background color of the series named `Salary` in the graph `gr_depts` in the `DataWindow` control `dw_employees` to black:

```
dw_employees.SetSeriesStyle("gr_depts", &
    "Salary", Background!, 0)
```

These statements in the `Clicked` event of the graph control `gr_product_data` coordinate line color between it and the graph `gr_sales_data`. The script stores the line color for the series under the mouse pointer in the graph `gr_product_data` in the variable `line_color`. Then it sets the line color for the series `Northeast` in the graph `gr_sales_data` within the `DataWindowcontrol` `dw_sales` to that color:

```
string SeriesName
integer SeriesNbr, Series_Point
long line_color
grObjectType MouseHit
MouseHit = This.ObjectAtPointer( &
    SeriesNbr, Series_Point)
```

```

IF MouseHit = TypeSeries! THEN
    SeriesName = &
        gr_product_data.SeriesName(SeriesNbr)

    gr_product_data.GetSeriesStyle(SeriesName, &
        LineColor!, line_color)

    dw_sales.SetSeriesStyle("gr_sales_data", &
        "Northeast", LineColor!, line_color)
END IF

```

See also[GetDataStyle](#)[GetSeriesStyle](#)[SetSeriesStyle](#)**10.44.2 Syntax 2 For lines in a graph****Description**

Specifies the style and width of a series' lines in a graph.

Applies to

PowerBuilder DataWindow

DataWindow control

Syntax

PowerBuilder

```

integer dwcontrol.SetSeriesStyle ( string graphcontrol, string seriesname,
    LineStyle linestyle {, integer linewidth } )

```

Table 10.62:

Argument	Description
dwcontrol	A reference to the DataWindow control containing the graph.
graphcontrol	A string whose value is the name of the graph in the DataWindow control.
seriesname	A string whose value is the name of the series for which you want to set the line style and width.
linestyle	A value of the LineStyle enumerated datatype (in PowerBuilder) specifying the line style. For a list of values, see LineStyle .
linewidth (optional for PowerBuilder)	An integer specifying the width of the line in pixels.

Return value

Returns 1 if it succeeds and -1 if an error occurs. If any argument's value is null, SetSeriesStyle returns null.

Usage

Data points in a series can have their own style settings. Settings made with `SetDataStyle` set the style of individual data points and override series settings.

The graph stores style information for properties that do not apply to the current graph type. For example, you can set the fill pattern in a two-dimensional line graph or the line style in a bar graph, but that fill pattern or line style will not be visible.

You can specify the appearance of a series in the graph before the application draws the graph. To do so, define a user event for `pbm_dwngraphcreate` and call `SetSeriesStyle` in the script for that event. The event `pbm_dwngraphcreate` is triggered just before a graph is created in a DataWindow object.

Examples

PowerBuilder

This statement sets the line style and width for the series named `Costs` in the graph `gr_product_data` in the DataWindow `dw_prod`:

```
dw_prod.SetSeriesStyle("gr_product_data", "Costs", &
    Dot!, 5)
```

See also

[GetDataStyle](#)

[GetSeriesStyle](#)

[SetDataStyle](#)

10.44.3 Syntax 3 For the fill pattern in a graph

Description

Specifies the fill pattern for data markers in a series.

Applies to

PowerBuilder DataWindow

DataWindow control

Syntax

PowerBuilder

```
integer dwcontrol.SetSeriesStyle ( string graphcontrol, string seriesname,
    FillPattern fillvalue )
```

Table 10.63:

Argument	Description
<code>dwcontrol</code>	A reference to the DataWindow control containing the graph.
<code>graphcontrol</code>	A string whose value is the name of the graph in the DataWindow control.
<code>seriesname</code>	A string whose value is the name of the series in which you want to set the appearance.

Argument	Description
fillvalue	A value of the FillPattern enumerated datatype specifying the fill pattern for the series. For a list of values, see FillPattern .

Return value

Returns 1 if it succeeds and -1 if an error occurs. If any argument's value is null, SetSeriesStyle returns null.

Usage

Data points in a series can have their own style settings. Settings made with SetDataStyle set the style of individual data points and override series settings.

The graph stores style information for properties that do not apply to the current graph type. For example, you can set the fill pattern in a two-dimensional line graph or the line style in a bar graph, but that fill pattern or line style will not be visible.

You can specify the appearance of a series in the graph before the application draws the graph. To do so, define a user event for pbm_dwngraphcreate and call SetSeriesStyle in the script for that event. The event pbm_dwngraphcreate is triggered just before a graph is created in a DataWindow object.

Using SetSeriesStyle with DirectX 3D Graphs

You cannot use a fill pattern for a series.

Examples

PowerBuilder

This statement sets the fill pattern used for the series named Costs in the graph gr_computers in the DataWindow control dw_equipment to Horizontal:

```
dw_equipment.SetSeriesStyle("gr_computers", &
    "Costs", Horizontal!)
```

See also

[GetDataStyle](#)

[GetSeriesStyle](#)

[SetDataStyle](#)

10.44.4 Syntax 4 For the symbols in a graph**Description**

Specifies the symbol for data markers in a series.

Applies to

PowerBuilder DataWindow

DataWindow control

Syntax

PowerBuilder

```
integer dwcontrol.SetSeriesStyle ( string graphcontrol, string seriesname,
grSymbolType symbolvalue )
```

Table 10.64:

Argument	Description
dwcontrol	A reference to the DataWindow control containing the graph.
graphcontrol	A string whose value is the name of the graph in the DataWindow control.
seriesname	A string whose value is the name of the series in which you want to set the appearance.
symbolvalue	A value of the grSymbolType enumerated datatype specifying the symbol for the series. For a list of values, see grSymbolType .

Return value

Returns 1 if it succeeds and -1 if an error occurs. If any argument's value is null, SetSeriesStyle returns null.

Usage

Data points in a series can have their own style settings. Settings made with SetDataStyle set the style of individual data points and override series settings.

The graph stores style information for properties that do not apply to the current graph type. For example, you can set the fill pattern in a two-dimensional line graph or the line style in a bar graph, but that fill pattern or line style will not be visible.

You can specify the appearance of a series in the graph before the application draws the graph. To do so, define a user event for pbm_dwngraphcreate and call SetSeriesStyle in the script for that event. The event pbm_dwngraphcreate is triggered just before a graph is created in a DataWindow object.

Using SetSeriesStyle with DirectX 3D Graphs

You cannot specify specific symbols for the data markers in a series.

Examples

PowerBuilder

This statement sets the symbol for the series named Costs in the graph gr_computers in the DataWindow control dw_equipment to X:

```
dw_equipment.SetSeriesStyle("gr_computers", &
"Costs", SymbolX!)
```

See also

[GetDataStyle](#)[GetSeriesStyle](#)[SetDataStyle](#)

10.44.5 Syntax 5 For creating an overlay in a graph

Description

Specifies whether a series is an overlay, meaning that the series is represented by a line on top of another graph type.

Applies to

PowerBuilder DataWindow

DataWindow control

Syntax

PowerBuilder

```
integer dwcontrol.SetSeriesStyle ( string graphcontrol, string series, boolean overlaystyle )
```

Table 10.65:

Argument	Description
dwcontrol	A reference to the DataWindow control containing the graph.
graphcontrol	A string whose value is the name of the graph in the DataWindow control.
series	A string whose value is the name of the series whose overlay status you want to change.
overlaystyle	A boolean value indicating whether you want the series to be an overlay, meaning that the series is shown in front as a line. Set overlaystyle to true to make the specified series an overlay. Set it to false to remove the overlay setting.

Return value

Returns 1 if it succeeds and -1 if an error occurs. If any argument's value is null, SetSeriesStyle returns null.

Usage

You can specify the appearance of a series in the graph before the application draws the graph. To do so, define a user event for pbm_dwnggraphcreate and call SetSeriesStyle in the script for that event. The event pbm_dwnggraphcreate is triggered just before a graph is created in a DataWindow object.

Using SetSeriesStyle with DirectX 3D Graphs

You cannot use the overlay style for a series.

Examples

PowerBuilder

These statements in the Clicked event of the DataWindow control dw_employees store the style of the series under the pointer in the graph gr_depts in the variable style_type. If the style of the series is overlay (true), the script changes the style to normal (false):

```
string SeriesName
integer SeriesNbr, Data_Point
boolean overlay_style
grObjectType MouseHit

MouseHit = dw_employees.ObjectAtPointer( &
    "gr_depts", SeriesNbr, Data_Point)

IF MouseHit = TypeSeries! THEN
    SeriesName = &
        dw_employees.SeriesName("gr_depts",SeriesNbr)

    dw_employees.GetSeriesStyle("gr_depts", &
        SeriesName, overlay_style)

    IF overlay_style THEN &
        dw_employees.SetSeriesStyle("gr_depts", &
            SeriesName, false)
END IF
```

See also

[GetDataStyle](#)

[GetSeriesStyle](#)

[SetDataStyle](#)

10.45 SetSeriesTransparency

Description

Sets the transparency percentage of a series in a DirectX 3D type graph.

Applies to

DataWindow control

Syntax

```
integer dwcontrol.SetSeriesTransparency ( string graphcontrol, stringseries, int
    transparency)
```

Table 10.66:

Argument	Description
dwcontrol	A reference to the DataWindow control containing the graph.
graphcontrol	A string whose value is the name of the graph in the DataWindow control.
series	The string that identifies the series in which you want to set the transparency value.
transparency	Integer value for percentage transparency. A value of 0 means that the series is opaque and

Argument	Description
	a value of 100 means that it is completely transparent.

Return value

Returns 1 if it succeeds and -1 if an error occurs. If any argument's value is null, SetSeriesTransparency returns null.

Usage

SetSeriesTransparency sets the transparency value for a series in a DirectX 3D graph (those with 3D rendering).

Examples

These statements set the transparency percentage to 50% for the series named Costs in the graph gr_1 in the DataWindow control dw_employee:

```
integer SeriesNbr, ItemNbr, TransNbr
string ls_SeriesName
grObjectType clickedtype

// Get the number of the series and datapoint
clickedtype = this.ObjectAtPointer("gr_1", &
    SeriesNbr, ItemNbr)

//Get the name of series
ls_SeriesName = dw_employee.SeriesName("gr_1", &
    SeriesNbr)

//The following statement sets Transparency to 50%
TransNbr = 50

dw_employee.SetSeriesTransparency("gr_1", &
    ls_SeriesName, TransNbr)
```

See also

[FindSeries](#)

[GetSeriesTransparency](#)

[GetDataTransparency](#)

[SetDataTransparency](#)

Index

A

AboutBox method (DataWindows), [579](#)
Abs (DataWindow expression function), [43](#)
Accelerator property (DataWindow object), [196](#)
AcceptText method (DataWindows), [579](#)
AccessibleDescription property (DataWindow object), [197](#)
AccessibleName property (DataWindow object), [198](#)
AccessibleRole constant (DataWindows), [509](#)
AccessibleRole property (DataWindow object), [198](#)
ACos (DataWindow expression function), [43](#)
Action property (DataWindow object), [199](#)
Activation property (DataWindow object), [202](#)
aggregate functions
 Avg, [47](#)
 Count, [54](#)
 CrosstabAvg, [56](#)
 CrosstabAvgDec, [60](#)
 CrosstabCount, [60](#)
 CrosstabMax, [62](#)
 CrosstabMaxDec, [64](#)
 CrosstabMin, [64](#)
 CrosstabMinDec, [66](#)
 CrosstabSum, [67](#)
 CrosstabSumDec, [69](#)
 CumulativePercent, [69](#)
 CumulativeSum, [71](#)
 First, [83](#)
 Large, [97](#)
 Last, [99](#)
 Max, [111](#)
 Median, [113](#)
 Min, [117](#)
 Mode, [120](#)
 Percent, [128](#)
 Small, [149](#)
 StDev, [152](#)
 StDevP, [154](#)
 Sum, [158](#)
 Var, [164](#)
 VarP, [167](#)

Alignment constant (DataWindows), [511](#)
Alignment property (DataWindow object), [203](#)
Arguments property (DataWindow object), [204](#)
Asc (DataWindow expression function), [44](#)
AscA (DataWindow expression function), [45](#)
ASin (DataWindow expression function), [45](#)
ATan (DataWindow expression function), [46](#)
Attributes property (DataWindow object), [204](#)
Avg (DataWindow expression function), [47](#)
Axis property (DataWindow object), [205](#)
Axis.property (DataWindow object), [206](#)

B

BackColor property (DataWindow object), [211](#)
Background.property (DataWindow object), [211](#)
BackImage property (DataWindow object), [214](#)
BackTabOut event (DataWindows), [530](#)
Band constant (DataWindows), [512](#)
Band property (DataWindow object), [215](#)
Bandname.property (DataWindow object), [216](#)
Bandname.Text (DataWindow object), [220](#)
Bands property (DataWindow object), [221](#)
BinaryIndex property (DataWindow object), [221](#)
Bitmap (DataWindow expression function), [49](#)
BitmapName property (DataWindow object), [222](#)
Border constant (DataWindows), [512](#)
Border property (DataWindow object), [222](#)
BorderStyle constant (DataWindows), [513](#)
Brush.property (DataWindow object), [224](#)
Brushmode property (DataWindow object), [225](#)
Button controls
 in DataWindow objects, [179](#)
ButtonClicked event (DataWindows), [531](#)
ButtonClicking event (DataWindows), [532](#)

C

CanUndo method (DataWindows), [582](#)
Case (DataWindow expression function), [50](#)

- Category property (DataWindow object), [227](#)
CategoryCount method (Graphs in DataWindows), [914](#)
CategoryName method (Graphs in DataWindows), [915](#)
Ceiling (DataWindow expression function), [51](#)
Char (DataWindow expression function), [52](#)
CharA (DataWindow expression function), [53](#)
CharSet constant (DataWindows), [513](#)
CheckBox.property (DataWindow object), [227](#)
ClassName method (DataWindows), [583](#)
Clear method (DataWindows), [583](#)
ClearValues method (DataWindows), [584](#)
Clicked event (DataWindows), [533](#)
ClientName property (DataWindow object), [229](#)
Clipboard method (Graphs in DataWindows), [915](#)
Collapse method (DataWindows), [585](#)
CollapseAll method (DataWindows), [586](#)
CollapseAllChildren method (DataWindows), [587](#)
Collapsed event (DataWindows), [535](#)
CollapseLevel method (DataWindows), [588](#)
Collapsing event (DataWindows), [536](#)
Color property (DataWindow object), [229](#)
ColType property (DataWindow object), [231](#)
Column controls
 in DataWindow objects, [180](#)
Column.Count (DataWindow object), [232](#)
Computed Field controls
 in DataWindow objects, [182](#)
Constructor event (DataWindows), [536](#)
ContentsAllowed property (DataWindow object), [233](#)
Copy method (DataWindows), [590](#)
CopyRTF method (DataWindows), [591](#)
Cos (DataWindow expression function), [53](#)
Count (DataWindow expression function), [54](#)
Create method (DataWindows), [593](#)
CreateError method (DataWindows), [595](#)
CreateFrom method (DataWindows), [596](#)
Criteria property (DataWindow object), [233](#)
Criteria.property (DataWindow object), [234](#)
Crosstab.property (DataWindow object), [236](#)
CrosstabAvg (DataWindow expression function), [56](#)
CrosstabAvgDec (DataWindow expression function), [60](#)
CrosstabCount (DataWindow expression function), [60](#)
CrosstabDialog method (DataWindows), [598](#)
CrosstabMax (DataWindow expression function), [62](#)
CrosstabMaxDec (DataWindow expression function), [64](#)
CrosstabMin (DataWindow expression function), [64](#)
CrosstabMinDec (DataWindow expression function), [66](#)
CrosstabSum (DataWindow expression function), [67](#)
CrosstabSumDec (DataWindow expression function), [69](#)
CSSGen.property (DataWindow object), [237](#)
CumulativePercent (DataWindow expression function), [69](#)
CumulativeSum (DataWindow expression function), [71](#)
CurrentRow (DataWindow expression function), [73](#)
Cut method (DataWindows), [599](#)
- D**
- Data property (DataWindow object), [239](#)
Data.HTML (DataWindow object), [239](#)
Data.HTMLTable (DataWindow object), [240](#)
Data.XHTML (DataWindow object), [242](#)
Data.XML (DataWindow object), [243](#)
Data.XMLDTD (DataWindow object), [244](#)
Data.XMLSchema (DataWindow object), [244](#)
Data.XMLWeb property (DataWindow object), [245](#)
Data.XSLFO property (DataWindow object), [246](#)
DataCount method (Graphs in DataWindows), [916](#)
DataObject property (DataWindow object), [246](#)
DataStore
 properties, [524](#)
DataWindow constants

- about, [508](#)
- list, [508](#)
- DataWindow Control
 - properties, [524](#)
- DataWindow control
 - methods, [579](#)
- DataWindow data expressions
 - about, [465](#)
 - syntax, [471](#)
- DataWindow events
 - categories, [528](#)
 - cross-reference, [530](#)
 - list, [530](#)
- DataWindow expression functions
 - examples, [34](#)
 - function list, [42](#)
 - use, [32](#)
- DataWindow expressions, [21](#)
 - arithmetic operators, [23](#)
 - concatenation operators, [28](#)
 - decimal support, [33](#)
 - evaluate in Describe function, [30](#)
 - evaluate in scripts, [29](#)
 - evaluate with current data, [30](#)
 - logical operators, [27](#)
 - operator precedence, [29](#)
 - relational operators, [24](#)
 - use as property values, [485](#)
- DataWindow object properties, [171](#)
 - access property values in code, [484](#)
 - Modify and Describe methods, [490](#)
 - nested strings and special characters, [488](#)
 - specify property values in the DataWindow painter, [484](#)
- DataWindow operators, [21](#)
- DataWindow property expressions (PowerBuilder)
 - basic structure, [493](#)
 - basic syntax, [499](#)
 - data type, [493](#)
 - handle errors, [497](#)
 - syntax for nested objects, [502](#)
 - when is evaluated, [497](#)
- Date (DataWindow expression function), [74](#)
- DateTime (DataWindow expression function), [75](#)
- Day (DataWindow expression function), [76](#)
- DayName (DataWindow expression function), [76](#)
- DayNumber (DataWindow expression function), [77](#)
- DaysAfter (DataWindow expression function), [78](#)
- dbAlias property (DataWindow object), [247](#)
- DBCcancel method (DataWindows), [600](#)
- DBError event (DataWindows), [537](#)
- DBErrorCode method (DataWindows), [602](#)
- DBErrorMessage method (DataWindows), [603](#)
- dbName property (DataWindow object), [248](#)
- dddw.property (DataWindow object), [249](#)
- ddlb.property (DataWindow object), [253](#)
- Dec (DataWindow expression function), [79](#)
- DefaultPicture property (DataWindow object), [256](#)
- DeletedCount method (DataWindows), [605](#)
- DeleteRow method (DataWindows), [606](#)
- Depth property (DataWindow object), [257](#)
- Describe (DataWindow expression function), [80](#)
- Describe method (DataWindows), [607](#)
- Destructor event (DataWindows), [539](#)
- Detail.property (DataWindow object), [258](#)
- DispAttr.fontproperty (DataWindow object), [258](#)
- DisplayType property (DataWindow object), [262](#)
- DoubleClicked event (DataWindows), [539](#)
- Drag method (DataWindows), [612](#)
- DragDrop event (DataWindows), [541](#)
- DragEnter event (DataWindows), [542](#)
- DragLeave event (DataWindows), [542](#)
- DragWithin event (DataWindows), [543](#)
- DropDown event (DataWindows), [544](#)
- DWBuffer constant (DataWindows), [514](#)
- DWConflictResolution constant (DataWindows), [514](#)
- DWItemStatus constant (DataWindows), [515](#)
- DWObject arguments
 - for DataWindow events in PowerBuilder, [495](#)
- DWObject variables
 - in PowerBuilder, [495](#)

E

Edit.property (DataWindow object), [263](#)
EditChanged event (DataWindows), [544](#)
EditMask.property (DataWindow object), [267](#)
Elevation property (DataWindow object), [270](#)
EllipseHeight property (DataWindow object), [271](#)
EllipseWidth property (DataWindow object), [272](#)
Enabled property (DataWindow object), [273](#)
Error event (DataWindows), [545](#)
evaluate DataWindow expressions
 in scripts, [29](#)
 in the Describe function, [30](#)
 with current data, [30](#)
Exp (DataWindow expression function), [81](#)
Expand method (DataWindows), [613](#)
ExpandAll method (DataWindows), [614](#)
ExpandAllChildren method (DataWindows), [615](#)
Expanded event (DataWindows), [547](#)
Expanding event (DataWindows), [548](#)
ExpandLevel method (DataWindows), [616](#)
Export.PDF.Distill.CustomPostScript property (DataWindow object), [273](#)
Export.PDF.Method property (DataWindow object), [275](#)
Export.PDF.NativePDF.Author property (DataWindow object), [277](#)
Export.PDF.NativePDF.CustomOrientation property (DataWindow object), [278](#)
Export.PDF.NativePDF.CustomSize property (DataWindow object), [279](#)
Export.PDF.NativePDF.ImageFormat property (DataWindow object), [280](#)
Export.PDF.NativePDF.Keywords property (DataWindow object), [282](#)
Export.PDF.NativePDF.MasterPassword property (DataWindow object), [283](#)
Export.PDF.NativePDF.PDFStandard property (DataWindow object), [284](#)
Export.PDF.NativePDF.Restrictions property (DataWindow object), [286](#)
Export.PDF.NativePDF.Subject property (DataWindow object), [288](#)

Export.PDF.NativePDF.UsePrintSpec property (DataWindow object), [291](#)
Export.PDF.NativePDF.UserPassword property (DataWindow object), [289](#)
Export.PDF.XSLFOP.Print property (DataWindow object), [292](#)
Export.XHTML.TemplateCount property (DataWindow object), [293](#)
Export.XHTML.UseTemplate property (DataWindow object), [295](#)
Export.XML.HeadGroups property (DataWindow object), [296](#)
Export.XML.IncludeWhitespace property (DataWindow object), [296](#)
Export.XML.MetaDataType property (DataWindow object), [297](#)
Export.XML.SaveMetaData property (DataWindow object), [299](#)
Export.XML.TemplateCount property (DataWindow object), [300](#)
Export.XML.UseTemplate property (DataWindow object), [301](#)
ExportJson method (DataWindows), [617](#)
ExportRowAsJson method (DataWindows), [625](#)
Expression property (DataWindow object), [302](#)

F

Fact (DataWindow expression function), [81](#)
Filename property (DataWindow object), [303](#)
Fill (DataWindow expression function), [82](#)
FillA (DataWindow expression function), [83](#)
FillPattern constant (DataWindows), [515](#)
Filter method (DataWindows), [627](#)
FilteredCount method (DataWindows), [628](#)
Find method (DataWindows), [629](#)
FindCategory method (Graphs in DataWindows), [917](#)
FindGroupChange method (DataWindows), [633](#)
FindNext method (DataWindows), [635](#)
FindRequired method (DataWindows), [635](#)
FindRequiredColumn method (DataWindows), [639](#)
FindRequiredColumnName method (DataWindows), [639](#)

FindRequiredRow method (DataWindows), [640](#)
FindSeries method (Graphs in DataWindows), [918](#)
First (DataWindow expression function), [83](#)
FirstRowOnPage property (DataWindow object), [304](#)
FocusRectangle property (DataWindow object), [304](#)
Font.Bias property (DataWindow object), [305](#)
Font.property (DataWindow object), [306](#)
FontHeight (DataWindow expression function), [85](#)
Footer.property (DataWindow object), [308](#)
Format property (DataWindow object), [309](#)

G

Generate method (DataWindows), [641](#)
GenerateHTMLForm method (DataWindows), [643](#)
GenerateResultSet method (DataWindows), [644](#)
GenerateXHTML method (DataWindows), [646](#)
GenerateXMLWeb method (DataWindows), [647](#)
GetBandAtPointer method (DataWindows), [648](#)
GetBorderStyle method (DataWindows), [650](#)
GetChanges method (DataWindows), [651](#)
GetChangesBlob method (DataWindows), [653](#)
GetChild method (DataWindows), [654](#)
GetChildObject method (DataWindows), [656](#)
GetClickedColumn method (DataWindows), [657](#)
GetClickedRow method (DataWindows), [658](#)
GetColumn method (DataWindows), [659](#)
GetColumnName method (DataWindows), [660](#)
GetContextService method (DataWindows), [661](#)
GetData method (Graphs in DataWindows), [919](#)
GetDataDateVariable method (Graphs in DataWindows), [920](#)
GetDataLabelling method (Graphs in DataWindows), [921](#)
GetDataNumberVariable method (Graphs in DataWindows), [922](#)
GetDataPieExplode method (Graphs in DataWindows), [923](#)
GetDataPieExplodePercentage method (Graphs in DataWindows), [924](#)
GetDataStringVariable method (Graphs in DataWindows), [925](#)
GetDataStyle method (Graphs in DataWindows), [926](#)
GetDataStyleColorValue method (Graphs in DataWindows), [931](#)
GetDataStyleFillPattern method (Graphs in DataWindows), [932](#)
GetDataStyleLineStyle method (Graphs in DataWindows), [933](#)
GetDataStyleLineWidth method (Graphs in DataWindows), [934](#)
GetDataStyleSymbolValue method (Graphs in DataWindows), [934](#)
GetDataTransparency method (Graphs in DataWindows), [935](#)
GetDataValue method (Graphs in DataWindows), [936](#)
GetFocus event (DataWindows), [549](#)
GetFormat method (DataWindows), [662](#)
GetFullContext method (DataWindows), [663](#)
GetFullState method (DataWindows), [664](#)
GetFullStateBlob method (DataWindows), [665](#)
GetItem method (DataWindows), [666](#)
GetItemDate method (DataWindows), [667](#)
GetItemDateTime method (DataWindows), [670](#)
GetItemDecimal method (DataWindows), [672](#)
GetItemFormattedString method (DataWindows), [674](#)
GetItemNumber method (DataWindows), [675](#)
GetItemStatus method (DataWindows), [677](#)
GetItemString method (DataWindows), [679](#)
GetItemTime method (DataWindows), [681](#)
GetItemUnformattedString method (DataWindows), [683](#)
GetLastError method (DataWindows), [684](#)

- [GetLastErrorString](#) method (DataWindows), [685](#)
- [GetMessageText](#) method (DataWindows), [687](#)
- [GetNextModified](#) method (DataWindows), [687](#)
- [GetObjectAtPointer](#) method (DataWindows), [689](#)
- [GetPaintDC](#) (DataWindow expression function), [85](#)
- [GetPaintRectHeight](#) (DataWindow expression function), [86](#)
- [GetPaintRectWidth](#) (DataWindow expression function), [87](#)
- [GetPaintRectX](#) (DataWindow expression function), [87](#)
- [GetPaintRectY](#) (DataWindow expression function), [87](#)
- [GetParent](#) method (DataWindows), [690](#)
- [GetRichTextAlign](#) method (DataWindows), [691](#)
- [GetRichTextColor](#) method (DataWindows), [692](#)
- [GetRichTextFaceName](#) method (DataWindows), [693](#)
- [GetRichTextSize](#) method (DataWindows), [694](#)
- [GetRichTextStyle](#) method (DataWindows), [695](#)
- [GetRow](#) (DataWindow expression function), [88](#)
- [GetRow](#) method (DataWindows), [696](#)
- [GetRowFromRowId](#) method (DataWindows), [697](#)
- [GetRowIdFromRow](#) method (DataWindows), [698](#)
- [GetSelectedRow](#) method (DataWindows), [699](#)
- [GetSeriesLabelling](#) method (Graphs in DataWindows), [938](#)
- [GetSeriesStyle](#) method (Graphs in DataWindows), [939](#)
- [GetSeriesStyleColorValue](#) method (Graphs in DataWindows), [945](#)
- [GetSeriesStyleFillPattern](#) method (Graphs in DataWindows), [945](#)
- [GetSeriesStyleLineStyle](#) method (Graphs in DataWindows), [946](#)
- [GetSeriesStyleLineWidth](#) method (Graphs in DataWindows), [947](#)
- [GetSeriesStyleOverlayValue](#) method (Graphs in DataWindows), [948](#)
- [GetSeriesStyleSymbolValue](#) method (Graphs in DataWindows), [949](#)
- [GetSeriesTransparency](#) method (Graphs in DataWindows), [950](#)
- [GetSQLPreview](#) method (DataWindows), [700](#)
- [GetSQLSelect](#) method (DataWindows), [701](#)
- [GetStateStatus](#) method (DataWindows), [702](#)
- [GetText](#) (DataWindow expression function), [89](#)
- [GetText](#) method (DataWindows), [704](#)
- [GetTrans](#) method (DataWindows), [705](#)
- [GetUpdateStatus](#) method (DataWindows), [707](#)
- [GetValidate](#) method (DataWindows), [708](#)
- [GetValue](#) method (DataWindows), [709](#)
- [Gradient.property](#) (DataWindow object), [309](#)
- Graph controls
- in DataWindow objects, [184](#)
- [GraphCreate](#) event (DataWindows), [549](#)
- Graphs in the DataWindow Control
- methods, [914](#)
- [GraphType](#) property (DataWindow object), [312](#)
- [grColorType](#) constant (DataWindows), [516](#)
- [grDataType](#) constant (DataWindows), [516](#)
- [Grid.ColumnMove](#) property (DataWindow object), [313](#)
- [Grid.Lines](#) property (DataWindow object), [313](#)
- [grObjectType](#) constant (DataWindows), [517](#)
- Group keyword, [187](#)
- GroupBox controls
- in DataWindow objects, [186](#)
- [GroupBy](#) property (DataWindow object), [314](#)
- [GroupCalc](#) method (DataWindows), [711](#)
- [grSymbolType](#) constant (DataWindows), [518](#)

H

- [Header.property](#) (DataWindow object), [316](#)
- [Height](#) property (DataWindow object), [316](#)
- [Height.AutoSize](#) property (DataWindow object), [317](#)

Height.HasMinHeight property (DataWindow object), [318](#)
Help.property (DataWindow object), [319](#)
Hide method (DataWindows), [712](#)
HideGrayLine property (DataWindow object), [321](#)
HideSnaked property (DataWindow object), [321](#)
HorizontalScrollMaximum property (DataWindow object), [323](#)
HorizontalScrollPosition property (DataWindow object), [324](#)
HorizontalScrollSplit property (DataWindow object), [325](#)
Hour (DataWindow expression function), [89](#)
HTextAlign property (DataWindow object), [325](#)
HTML.property (DataWindow object), [326](#)
HTMLContextApplied event (DataWindows), [550](#)
HTMLDW property (DataWindow object), [328](#)
HTMLGen.property (DataWindow object), [330](#)
HTMLTable.property (DataWindow object), [337](#)

I

ID property (DataWindow object), [339](#)
Identity property (DataWindow object), [339](#)
If (DataWindow expression function), [90](#)
Import.XML.Trace property (DataWindow object), [340](#)
Import.XML.TraceFile property (DataWindow object), [341](#)
Import.XML.UseTemplate property (DataWindow object), [342](#)
ImportClipboard method (DataWindows), [712](#)
ImportFile method (DataWindows), [715](#)
ImportJson method (DataWindows), [719](#)
ImportJsonByKey method (DataWindows), [726](#)
ImportRowFromJson method (DataWindows), [731](#)
ImportString method (DataWindows), [734](#)
Initial property (DataWindow object), [343](#)
Ink.property (DataWindow object), [343](#)

InkEdit.property (DataWindow object), [345](#)
InkPic.property (DataWindow object), [349](#)
InkPicture controls
 in DataWindow objects, [187](#)
InsertDocument method (DataWindows), [737](#)
InsertRow method (DataWindows), [739](#)
Int (DataWindow expression function), [91](#)
Integer (DataWindow expression function), [91](#)
Inverse (DataWindow expression function), _____
Invert property (DataWindow object), [351](#)
IsDate (DataWindow expression function), [92](#)
IsExpanded (DataWindow expression function), [93](#)
IsExpanded method (DataWindows), [740](#)
IsNull (DataWindow expression function), [93](#)
IsNumber (DataWindow expression function), [94](#)
IsRowModified (DataWindow expression function), [95](#)
IsRowNew (DataWindow expression function), [96](#)
IsRowSelected method (DataWindows), [741](#)
IsSelected (DataWindow expression function), [96](#)
IsSelected method (DataWindows), [742](#)
IsTime (DataWindow expression function), [97](#)
ItemChanged event (DataWindows), [551](#)
ItemError event (DataWindows), [552](#)
ItemFocusChanged event (DataWindows), [554](#)

J

JSGen.property (DataWindow object), [352](#)

K

Key property (DataWindow object), [353](#)
KeyClause property (DataWindow object), [354](#)
KeyDown event (DataWindows), [555](#)

L

Label.property (DataWindow object), [355](#)

LabelDispAttr.fontproperty (DataWindow object), [357](#)
Large (DataWindow expression function), [97](#)
Last (DataWindow expression function), [99](#)
LastPos (DataWindow expression function), [101](#)
LastRowOnPage property (DataWindow object), [357](#)
Left (DataWindow expression function), [102](#)
LeftA (DataWindow expression function), [103](#)
LeftTrim (DataWindow expression function), [103](#)
Legend property (DataWindow object), [358](#)
Legend.DispAttr.fontproperty (DataWindow object), [359](#)
Len (DataWindow expression function), [104](#)
LenA (DataWindow expression function), [105](#)
Level property (DataWindow object), [359](#)
Limitation property (DataWindow object),

Line controls
 in DataWindow objects, [188](#)
LineCount method (DataWindows), [743](#)
LineRemove property (DataWindow object), [359](#)
LineStyle constant (DataWindows), [518](#)
LinkUpdateOptions property (DataWindow object), [360](#)
Log (DataWindow expression function), [105](#)
LogTen (DataWindow expression function), [106](#)
Long (DataWindow expression function), [107](#)
LookUpDisplay (DataWindow expression function), [107](#)
LoseFocus event (DataWindows), [555](#)
Lower (DataWindow expression function), [108](#)

M

Match (DataWindow expression function), [108](#)
Max (DataWindow expression function), [111](#)
Median (DataWindow expression function), [113](#)

Message.Title property (DataWindow object), [361](#)
MessageText event (DataWindows), [556](#)
MetaDataType constant (DataWindows), [519](#)
Mid (DataWindow expression function), [115](#)
MidA (DataWindow expression function), [116](#)
Min (DataWindow expression function), [117](#)
Minute (DataWindow expression function), [118](#)
Mod (DataWindow expression function), [119](#)
Mode (DataWindow expression function), [120](#)
ModifiedCount method (DataWindows), [744](#)
Modify and Describe methods for properties (JavaScript)
 advantage and drawbacks, [505](#)
 handle errors, [506](#)
Modify and Describe methods for properties (PowerBuilder)
 advantage and drawbacks, [490](#)
 handle errors, [492](#)
Modify method (DataWindows), [746](#)
Month (DataWindow expression function), [122](#)
MouseMove event (DataWindows), [557](#)
MouseUp event (DataWindows), [558](#)
Move method (DataWindows), [757](#)
Moveable property (DataWindow object), [361](#)
Multiline property (DataWindow object), [362](#)

N

Name property (DataWindow object), [363](#)
Nested property (DataWindow object), [364](#)
NoUserPrompt property (DataWindow object), [366](#)
Now (DataWindow expression function), [122](#)
Number (DataWindow expression function), [123](#)

O

ObjectAtPointer method (Graphs in DataWindows), [951](#)
ObjectAtPointerDataPoint method (Graphs in DataWindows), [952](#)
ObjectAtPointerSeries method (Graphs in DataWindows), [952](#)
Objects property (DataWindow object), [367](#)

OLE Object controls
 in DataWindow objects, [189](#)
OLE.Client.property (DataWindow object), [367](#)
OLEActivate method (DataWindows), [758](#)
OLEClass property (DataWindow object), [368](#)
OneTrip method (DataWindows), [759](#)
OnSubmit event (DataWindows), [559](#)
operator
 precedence in DataWindow expressions, [29](#)
operators
 in DataWindow expressions, [23](#)
OriginalSize property (DataWindow object), [369](#)
Oval controls
 in DataWindow objects, [190](#)
OverlapPercent property (DataWindow object), [370](#)

P

Page (DataWindow expression function), [124](#)
PageAbs (DataWindow expression function), [125](#)
PageAcross (DataWindow expression function), [125](#)
PageCount (DataWindow expression function), [126](#)
PageCountAcross (DataWindow expression function), [127](#)
Paint (DataWindow expression function), [127](#)
Paste method (DataWindows), [762](#)
PasteRTF method (DataWindows), [763](#)
Pen.property (DataWindow object), [371](#)
Percent (DataWindow expression function), [128](#)
Perspective property (DataWindow object), [372](#)
Pi (DataWindow expression function), [130](#)
Picture controls
 in DataWindow objects, [191](#)
Picture.property (DataWindow object), [373](#)
Pie.DispAttr.fontproperty (DataWindow object), [375](#)
PlotNullData property (DataWindow object), [376](#)
Pointer property (DataWindow object), [376](#)
PointerX method (DataWindows), [764](#)
PointerY method (DataWindows), [765](#)
Pos (DataWindow expression function), [131](#)
PosA (DataWindow expression function), [132](#)
Position method (DataWindows), [766](#)
PostEvent method (DataWindows), [770](#)
Print method (DataWindows), [771](#)
Print.Preview.property (DataWindow object), [377](#)
Print.property (DataWindow object), [379](#)
PrintCancel method (DataWindows), [775](#)
Printend event (DataWindows), [559](#)
Printer property (DataWindow object), [387](#)
PrintMarginChange event (DataWindows), [560](#)
PrintPage event (DataWindows), [560](#)
PrintStart event (DataWindows), [562](#)
ProcessEnter event (DataWindows), [562](#)
Processing property (DataWindow object), [387](#)
ProfileInt (DataWindow expression function), [133](#)
ProfileString (DataWindow expression function), [134](#)
properties
 for Button controls in DataWindow objects, [179](#)
 for Column controls in DataWindow objects, [180](#)
 for Computed Field controls in DataWindow objects, [182](#)
 for DataStore objects, [524](#)
 for DataWindow controls, [524](#)
 for Graph controls in DataWindow objects, [184](#)
 for GroupBox controls in DataWindow objects, [186](#)
 for InkPicture controls in DataWindow objects, [187](#)
 for Line controls in DataWindow objects, [188](#)
 for OLE Object controls in DataWindow objects, [189](#)
 for Oval Rectangle and RoundRectangle controls in DataWindow objects, [190](#)

for Picture controls in DataWindow objects, [191](#)
for Report controls in DataWindow objects, [192](#)
for TableBlob controls in DataWindow objects, [193](#)
for Text controls in DataWindow objects, [194](#)
for the DataWindow object, [172](#)
for the Group keyword, [187](#)
for the Style keyword, [193](#)
Protect property (DataWindow object), [388](#)

Q

QueryClear property (DataWindow object), [389](#)
QueryMode property (DataWindow object), [390](#)
QuerySort property (DataWindow object), [391](#)

R

RadioButtons.property (DataWindow object), [392](#)
Rand (DataWindow expression function), [136](#)
Range property (DataWindow object), [393](#)
RButtonDown event (DataWindows), [562](#)
ReadOnly property (DataWindow object), [394](#)
Real (DataWindow expression function), [136](#)
Rectangle controls
 in DataWindow objects, [190](#)
RelativeDate (DataWindow expression function), [137](#)
RelativeTime (DataWindow expression function), [137](#)
Replace (DataWindow expression function), [138](#)
ReplaceA (DataWindow expression function), [139](#)
ReplaceTabWithSpace property (DataWindow object), [396](#)
ReplaceText method (DataWindows), [778](#)
Report controls
 in DataWindow objects, [192](#)
Report property (DataWindow object), [396](#)
ReselectRow method (DataWindows), [779](#)
Reset method (DataWindows), [780](#)

Reset method (Graphs in DataWindows), [953](#)
ResetDataColors method (Graphs in DataWindows), [954](#)
ResetInk method (DataWindows), [781](#)
ResetPageCount property (DataWindow object), [397](#)
ResetTransObject method (DataWindows), [782](#)
ResetUpdate method (DataWindows), [783](#)
Resize event (DataWindows), [563](#)
Resize method (DataWindows), [784](#)
Resizable property (DataWindow object), [397](#)
Retrieve method (DataWindows), [785](#)
Retrieve property (DataWindow object), [398](#)
Retrieve.AsNeeded property (DataWindow object), [398](#)
RetrieveEnd event (DataWindows), [564](#)
RetrieveRow event (DataWindows), [565](#)
RetrieveStart event (DataWindows), [566](#)
return values
 for DataWindow events, [528](#)
RGB (DataWindow expression function), [140](#)
RichEdit.property (DataWindow object), [399](#)
RichText (DataWindow expression function), [141](#)
RichText.property (DataWindow object), [401](#)
RichTextCurrentStyleChanged event (DataWindows), [567](#)
RichTextFile (DataWindow expression function), [142](#)
RichTextLimitError event (DataWindows), [567](#)
RichTextLoseFocus event (DataWindows), [567](#)
RichTextToolbarActivation constant (DataWindows), [519](#)
Right (DataWindow expression function), [142](#)
RightA (DataWindow expression function), [143](#)
RightToLeft property (DataWindow object), [405](#)
RightTrim (DataWindow expression function), [143](#)
Rotation property (DataWindow object), [406](#)

- Round (DataWindow expression function), [144](#)
- RoundRectangle controls
in DataWindow objects, [190](#)
- Row.Resize property (DataWindow object), [406](#)
- RowCount (DataWindow expression function), [145](#)
- RowCount method (DataWindows), [789](#)
- RowFocusChanged event (DataWindows), [568](#)
- RowFocusChanging event (DataWindows), [569](#)
- RowFocusInd constant (DataWindows), [520](#)
- RowHeight (DataWindow expression function), [145](#)
- RowsCopy method (DataWindows), [790](#)
- RowsDiscard method (DataWindows), [792](#)
- RowsMove method (DataWindows), [793](#)
- S**
- SaveAs method (DataWindows), [795](#)
- SaveAs method (Graphs in DataWindows), [955](#)
- SaveAsAscii method (DataWindows), [798](#)
- SaveAsFormattedText method (DataWindows), [799](#)
- SaveAsType constant (DataWindows), [520](#)
- SaveInk method (DataWindows), [801](#)
- SaveInkPic method (DataWindows), [803](#)
- SaveMetaData constant (DataWindows), [522](#)
- SaveNativePDFToBlob method (DataWindows), [804](#)
- Scroll method (DataWindows), [805](#)
- ScrollFirstPage method (DataWindows), [806](#)
- ScrollHorizontal event (DataWindows), [571](#)
- ScrollLastPage method (DataWindows), [807](#)
- ScrollNextPage method (DataWindows), [808](#)
- ScrollNextRow method (DataWindows), [811](#)
- ScrollPriorPage method (DataWindows), [813](#)
- ScrollPriorRow method (DataWindows), [816](#)
- ScrollToRow method (DataWindows), [818](#)
- ScrollVertical event (DataWindows), [571](#)
- Second (DataWindow expression function), [146](#)
- SecondsAfter (DataWindow expression function), [147](#)
- Selected property (DataWindow object), [408](#)
- Selected.Data property (DataWindow object), [409](#)
- Selected.Mouse property (DataWindow object), [409](#)
- SelectedLength method (DataWindows), [820](#)
- SelectedLine method (DataWindows), [821](#)
- SelectedStart method (DataWindows), [822](#)
- SelectedText method (DataWindows), [823](#)
- SelectRow method (DataWindows), [824](#)
- SelectText method (DataWindows), [825](#)
- SelectTextAll method (DataWindows), [828](#)
- SelectTextLine method (DataWindows), [830](#)
- SelectTextWord method (DataWindows), [831](#)
- SelectTreeNode method (DataWindows), [832](#)
- Series property (DataWindow object), [410](#)
- SeriesCount method (Graphs in DataWindows), [957](#)
- SeriesName method (Graphs in DataWindows), [957](#)
- SetAction method (DataWindows), [833](#)
- SetActionCode method (DataWindows), [834](#)
- SetBorderStyle method (DataWindows), [836](#)
- SetBrowser method (DataWindows), [836](#)
- SetChanges method (DataWindows), [838](#)
- SetColumn method (DataWindows), [839](#)
- SetColumnLink method (DataWindows), [841](#)
- SetCultureFormat method (DataWindows), [843](#)
- SetDataLabelling method (Graphs in DataWindows), [958](#)
- SetDataPieExplode method (Graphs in DataWindows), [959](#)
- SetDataStyle method (Graphs in DataWindows), [961](#)
- SetDataTransparency method (Graphs in DataWindows), [966](#)
- SetDetailHeight method (DataWindows), [843](#)
- SetDWObject method (DataWindows), [844](#)
- SetFilter method (DataWindows), [846](#)
- SetFormat method (DataWindows), [848](#)
- SetFullState method (DataWindows), [849](#)
- SetHTMLAction method (DataWindows), [851](#)
- SetHTMLObjectName method (DataWindows), [852](#)

- SetItem method (DataWindows), [853](#)
- SetItemDate method (DataWindows), [856](#)
- SetItemDateTime method (DataWindows), [857](#)
- SetItemNumber method (DataWindows), [858](#)
- SetItemStatus method (DataWindows), [859](#)
- SetItemString method (DataWindows), [862](#)
- SetItemTime method (DataWindows), [863](#)
- SetPageSize method (DataWindows), [864](#)
- SetPosition method (DataWindows), [865](#)
- SetRedraw method (DataWindows), [866](#)
- SetRichTextAlign method (DataWindows), [867](#)
- SetRichTextColor method (DataWindows), [868](#)
- SetRichTextFaceName method (DataWindows), [869](#)
- SetRichTextSize method (DataWindows), [870](#)
- SetRichTextStyle method (DataWindows), [871](#)
- SetRow method (DataWindows), [872](#)
- SetRowFocusIndicator method (DataWindows), [873](#)
- SetSelfLink method (DataWindows), [875](#)
- SetSeriesLabelling method (Graphs in DataWindows), [967](#)
- SetSeriesStyle method (Graphs in DataWindows), [968](#)
- SetSeriesTransparency method (Graphs in DataWindows), [975](#)
- SetServerServiceClasses method (DataWindows), [877](#)
- SetServerSideState method (DataWindows), [879](#)
- SetSort method (DataWindows), [880](#)
- SetSQLPreview method (DataWindows), [882](#)
- SetSQLSelect method (DataWindows), [883](#)
- SetTabOrder method (DataWindows), [885](#)
- SetText method (DataWindows), [886](#)
- SetTrans method (DataWindows), [888](#)
- SetTransObject method (DataWindows), [889](#)
- SetValidate method (DataWindows), [892](#)
- SetValue method (DataWindows), [894](#)
- SetWeight method (DataWindows), [896](#)
- SetWSObject method (DataWindows), [898](#)
- ShadeColor property (DataWindow object), [410](#)
- ShareData method (DataWindows), [899](#)
- ShareDataOff method (DataWindows), [902](#)
- Show method (DataWindows), [903](#)
- ShowBackColorOnXP property (DataWindow object), [411](#)
- ShowBackground property (DataWindow object), [412](#)
- ShowDefinition property (DataWindow object), [412](#)
- ShowHeadFoot method (DataWindows), [904](#)
- Sign (DataWindow expression function), [147](#)
- Sin (DataWindow expression function), [148](#)
- SizeToDisplay property (DataWindow object), [413](#)
- SlideLeft property (DataWindow object), [414](#)
- SlideUp property (DataWindow object), [415](#)
- Small (DataWindow expression function), [149](#)
- Sort method (DataWindows), [905](#)
- Sort property (DataWindow object), [416](#)
- Space (DataWindow expression function), [151](#)
- Spacing property (DataWindow object), [416](#)
- Sparse property (DataWindow object), [417](#)
- SQLPreview event (DataWindows), [572](#)
- SQLPreviewFunction constant (DataWindows), [522](#)
- SQLPreviewType constant (DataWindows), [522](#)
- Sqrt (DataWindow expression function), [151](#)
- StDev (DataWindow expression function), [152](#)
- StDevP (DataWindow expression function), [154](#)
- Storage property (DataWindow object), [418](#)
- StoragePageSize property (DataWindow object), [418](#)
- String (DataWindow expression function), [156](#)
- StripRTF (DataWindow expression function), [158](#)
- Style keyword, [193](#)
- Sum (DataWindow expression function), [158](#)
- Summary.property (DataWindow object), [419](#)

SuppressEventProcessing property
(DataWindow object), [419](#)
Syntax property (DataWindow object), [420](#)
Syntax.Data property (DataWindow object),
[420](#)
Syntax.Modified property (DataWindow
object), [421](#)
syntaxes
 for DataWindow data expressions, [471](#)

T

TabDownOut event (DataWindows), [574](#)
Table.property (DataWindow object), [423](#)
Table.sqlaction.property (DataWindow
object), [426](#)
TableBlob controls
 in DataWindow objects, [193](#)
TabOut event (DataWindows), [574](#)
TabSequence property (DataWindow object),
[429](#)
TabUpOut event (DataWindows), [575](#)
Tag property (DataWindow object), [430](#)
Tan (DataWindow expression function), [160](#)
Target property (DataWindow object), [430](#)
Template property (DataWindow object),
[431](#)
Text controls
 in DataWindow objects, [194](#)
Text property (DataWindow object), [432](#)
TextLine method (DataWindows), [907](#)
Time (DataWindow expression function),
[161](#)
Title keyword, [196](#), [196](#)
Title property (DataWindow object), [433](#)
Title.DispAttr.fontproperty (DataWindow
object), [434](#)
Today (DataWindow expression function),
[162](#)
Tooltip.property (DataWindow object), [434](#)
Tree.Leaf.TreeNodeIconName property
(DataWindow object), [442](#)
Tree.property (DataWindow object), [439](#)
TreeNodeSelected event (DataWindows),
[575](#)
TreeNodeSelecting event (DataWindows),
[576](#)
TriggerEvent method (DataWindows), [908](#)

Trim (DataWindow expression function),
[162](#)
Truncate (DataWindow expression function),
[163](#)
Type property (DataWindow object), [444](#)
TypeOf method (DataWindows), [909](#)

U

Undo method (DataWindows), [909](#)
Units property (DataWindow object), [445](#)
Update method (DataWindows), [910](#)
Update property (DataWindow object), [446](#)
UpdateEnd event (DataWindows), [576](#)
UpdateStart event (DataWindows), [577](#)
Upper (DataWindow expression function),
[164](#)

V

Validation property (DataWindow object),
[446](#)
ValidationMsg property (DataWindow
object), [447](#)
Var (DataWindow expression function), [164](#)
VarP (DataWindow expression function),
[167](#)
VerticalScrollMaximum property
(DataWindow object), [450](#)
VerticalScrollPosition property
(DataWindow object), [450](#)
Visible property (DataWindow object), [451](#)
VTextAlign property (DataWindow object),
[452](#)

W

WebPagingMethod constant (DataWindows),
[523](#)
Width property (DataWindow object), [453](#)
Width.Autosize property (DataWindow
object), [453](#), [454](#)
WordCap (DataWindow expression
function), [169](#)
WSError event (DataWindows), [577](#)

X

X property (DataWindow object), [455](#)
XHTMLGen.Browser property
(DataWindow object), [456](#)
XMLGen.property (DataWindow object),
[458](#)

XSLTGen.property (DataWindow object), [459](#)

Y

Y property (DataWindow object), [460](#)

Year (DataWindow expression function), [169](#)

Z

Zoom property (DataWindow object), [462](#)